

FANUC AC SPINDLE MOTOR αi series

FANUC AC SPINDLE MOTOR βi series

FANUC BUILT-IN SPINDLE MOTOR $B i$ series

PARAMETER MANUAL

- No part of this manual may be reproduced in any form.
- All specifications and designs are subject to change without notice.

The products in this manual are controlled based on Japan's "Foreign Exchange and Foreign Trade Law". The export from Japan may be subject to an export license by the government of Japan.

Further, re-export to another country may be subject to the license of the government of the country from where the product is re-exported. Furthermore, the product may also be controlled by re-export regulations of the United States government.

Should you wish to export or re-export these products, please contact FANUC for advice.

In this manual we have tried as much as possible to describe all the various matters.

However, we cannot describe all the matters which must not be done, or which cannot be done, because there are so many possibilities.

Therefore, matters which are not especially described as possible in this manual should be regarded as "impossible".

This manual contains the program names or device names of other companies, some of which are registered trademarks of respective owners. However, these names are not followed by ® or ™ in the main body.

The parameters described in this manual must be set correctly according to the relevant descriptions. If the parameters are not set correctly, vibrations and unpredictable motions can occur. When setting and updating the parameters, place top priority on safety in operation by taking actions, such as heightening the speed step by step and performing an operation so that an emergency stop can be initiated immediately, until the settings are confirmed to be appropriate.

- When an abnormality such as an alarm or a hardware failure occurs, the operations described in the specifications are not guaranteed unless otherwise specifically noted. When action corresponding to the abnormality is specifically described, take the action. When no action is described, please contact FANUC.
- Generally, safety functions represent functions that protect the operators from machine danger. The signals and functions described in the specifications cannot be used separately for the safety functions unless otherwise described as being usable for the safety functions. Their specifications are not assumed to be used as the safety functions in this case, an unexpected danger may be caused. For information about the safety functions, please contact FANUC.
- A wrong device connection or setting can lead to unpredictable operation. When starting to operate the machine for the first time after assembling the machine, replacing components, or modifying parameter settings, exercise the greater care.

DEFINITION OF WARNING, CAUTION, AND NOTE

This manual includes safety precautions for protecting the user and preventing damage to the machine. Precautions are classified into Warning and Caution according to their bearing on safety. Also, supplementary information is described as a Note. Read the Warning, Caution, and Note thoroughly before attempting to use the machine.

WARNING

Applied when there is a danger of the user being injured or when there is a damage of both the user being injured and the equipment being damaged if the approved procedure is not observed.

CAUTION

Applied when there is a danger of the equipment being damaged, if the approved procedure is not observed.

NOTE

The Note is used to indicate supplementary information other than Warning and Caution.

- Even those matters described under "CAUTION" may lead to serious consequences depending on the situation. Thus, be sure to observe the approved procedure.
- Read this manual carefully, and store it in a safe place.

PREFACE

This manual describes the parameters and functions of the FANUC servo amplifier $\alpha i/\beta i$ series spindle. This manual is divided into four parts and appendix. Part I describes the αi series spindle, Part II describes the βi series spindle, Part III describes the αCi series spindle, and Part IV describes the BiS series spindle.

Unless otherwise noted, the parameter numbers for FANUC Series 16i are used in the text. When using any other model, reference the corresponding parameter numbers.

The table below indicates the abbreviated model names used with the parameter numbers.

Product name	Abbreviated model name in text	Abbreviated model name in table
FANUC Series 30i	Series 30i	30i
FANUC Series 31i	Series 31i	
FANUC Series 32i	Series 32i	
FANUC Series 16i	Series 16i	16i
FANUC Series 18i	Series 18i	
FANUC Series 21i	Series 21i	
FANUC Series 0i	Series 0i	
FANUC Series 15i	Series 15i	15i

For detailed information indicating which model each function described in this manual can be used with, refer to the manual of each CNC. For the package specifications, in particular, refer to the CNC manual.

The manuals related to the $\alpha i/\beta i$ series spindle are listed below.

- (1) FANUC AC SPINDLE MOTOR αi series DESCRIPTIONS (B-65272EN)
- (2) FANUC AC SPINDLE MOTOR αCi series DESCRIPTIONS (B-65372EN)
- (3) FANUC AC SPINDLE MOTOR βi series DESCRIPTIONS (B-65312EN)
- (4) FANUC SERVO AMPLIFIER αi series DESCRIPTIONS (B-65282EN)
- (5) FANUC SERVO AMPLIFIER βi series DESCRIPTIONS (B-65322EN)
- (6) FANUC AC SERVO MOTOR αis series,
FANUC AC SERVO MOTOR αi series,
FANUC AC SPINDLE MOTOR αi series,
FANUC SERVO AMPLIFIER αi series
MAINTENANCE MANUAL (B-65285EN)
- (7) FANUC AC SERVO MOTOR βis series,
FANUC AC SPINDLE MOTOR βi series,
FANUC SERVO AMPLIFIER βi series
MAINTENANCE MANUAL (B-65325EN)

- (8) FANUC AC SPINDLE MOTOR αi series
FANUC AC SPINDLE MOTOR βi series
FANUC BUILT-IN SPINDLE MOTOR Bi series
PARAMETER MANUAL (B-65280EN)
- (9) FANUC BUILT-IN SPINDLE MOTOR BiI series
DESCRIPTIONS
(B-65292EN)
- (10) FANUC SYNCHRONOUS BUILT-IN SPINDLE MOTOR BiS
series DESCRIPTIONS (B-65342 EN)

TABLE OF CONTENTS

DEFINITION OF WARNING, CAUTION, AND NOTE	s-1
PREFACE.....	p-1
I. FANUC AC SPINDLE MOTOR <i>αi</i> series FANUC BUILT-IN SPINDLE MOTOR BiI series	
1 START-UP.....	3
1.1 START-UP PROCEDURE	4
1.2 SPINDLE SERIAL INTERFACE (OPTIONAL FUNCTION).....	5
1.2.1 Parameters Related to Spindle Serial Output	5
1.2.2 Automatic Spindle Parameter Initialization	6
1.2.3 Diagnosis (Diagnosis Screen).....	7
1.2.4 Alarm.....	8
1.3 PARAMETERS RELATED TO DETECTORS.....	10
1.3.1 List of Parameters for Detectors.....	10
1.3.2 Details of Parameters for Detectors.....	11
1.3.3 Typical Detector Configurations	22
2 EXPLANATION OF OPERATION MODES.....	31
2.1 VELOCITY CONTROL MODE.....	32
2.1.1 Start-up Procedure.....	32
2.1.2 Overview	32
2.1.3 System Configuration.....	32
2.1.4 List of I/O Signals (CNC↔PMC).....	33
2.1.5 Related Parameters	37
2.1.6 Details of Related Parameters.....	39
2.1.7 Troubleshooting	50
2.2 POSITION CODER METHOD SPINDLE ORIENTATION (OPTIMUM ORIENTATION)(OPTIONAL FUNCTION)	54
2.2.1 Start-up Procedure.....	54
2.2.2 Overview	54
2.2.3 Transition from Conventional Method Orientation to Optimum Orientation	56
2.2.4 Feature	57
2.2.5 Block Diagram	58
2.2.6 System Configuration.....	58
2.2.7 Stop Position Specification Method	62
2.2.8 I/O Signals (CNC↔PMC)	62
2.2.9 Examples of Sequences	67
2.2.10 Explanation of Operation	70
2.2.11 Related Parameters	73
2.2.12 Details of Related Parameters.....	75
2.2.13 Tuning Procedure	85
2.2.14 Adjusting the Orientation Stop Position Shift Parameter.....	95
2.2.15 Supplementary Descriptions.....	96

2.3	RIGID TAPPING (OPTIONAL FUNCTION)	99
2.3.1	Start-up Procedure	99
2.3.2	Overview	99
2.3.3	System Configuration	100
2.3.4	List of I/O Signals (CNC↔PMC)	105
2.3.5	Sequence	107
2.3.6	Related Parameters	108
2.3.7	Details of Related Parameters	110
2.3.8	Parameter Setting Procedure	118
2.3.9	Adjustment Procedure	127
2.3.10	Diagnosis (Diagnosis Screen)	134
2.3.11	Alarm	136
2.4	Cs CONTOURING CONTROL (OPTIONAL FUNCTION)	139
2.4.1	Start-up Procedure	139
2.4.2	Overview	140
2.4.3	System Configuration	140
2.4.4	List of I/O Signals (CNC↔PMC)	143
2.4.5	Examples of Sequences	145
2.4.6	Velocity Loop Gains Override Function on Cs Contouring Control Mode	147
2.4.6.1	Series and Editions of Applicable Spindle Software	147
2.4.6.2	Block diagram	147
2.4.6.3	Adjustment	148
2.4.6.4	Standard parameters of velocity loop gain for Cs contouring control for each motor model	149
2.4.7	Related Parameters	157
2.4.8	Details of Related Parameters	159
2.4.9	Diagnosis (Diagnosis Screen)	169
2.4.10	Alarm	169
2.5	SPINDLE SYNCHRONOUS CONTROL (OPTIONAL FUNCTION)	170
2.5.1	Start-up Procedure	170
2.5.2	Overview	171
2.5.3	System Configuration	171
2.5.4	Explanation of Operation	180
2.5.5	I/O Signals (CNC↔PMC)	181
2.5.6	Examples of Sequences	185
2.5.7	Related Parameters	190
2.5.8	Details of Related Parameters	191
2.5.9	Number of Error Pulses in Spindle Synchronous Control	200
2.5.10	Specifying a Shift Amount for Spindle Phase Synchronous Control	201
2.5.11	Diagnosis (Diagnosis Screen)	201
2.5.12	Alarm	202
2.6	SPECIFICATIONS COMMON TO ALL OPERATION MODES	203
2.6.1	Overview	203
2.6.2	List of I/O Signals (CNC↔PMC)	203
2.6.3	Parameters	208
2.6.4	Details of Parameters	211
2.6.5	Diagnosis (Diagnosis Screen)	224
3	I/O SIGNALS (CNC↔PMC)	226
3.1	INPUT SIGNALS (PMC→CNC→SP)	227
3.1.1	List of Input Signals	227

3.1.2	Explanation of Input Signals	228
3.1.3	Details of Input Signals	230
3.2	OUTPUT SIGNALS (SP→CNC→PMC).....	242
3.2.1	List of Output Signals.....	242
3.2.2	Explanation of Output Signals	243
3.2.3	Details of Output Signals	244
4	ADJUSTMENT	253
4.1	VELOCITY LOOP GAIN ADJUSTMENT	254
4.1.1	Overview	254
4.1.2	Parameters	254
4.1.3	Adjustment Procedure	257
4.1.4	Additional Information (Position Gain Adjustment).....	258
4.2	MACHINE RESONANCE ELIMINATION.....	259
4.2.1	TCMD Filter.....	259
4.2.2	HRV Filter.....	260
4.2.3	Disturbance Input Function	267
4.3	AMPLITUDE RATIO/PHASE DIFFERENCE COMPENSATION FUNCTION	272
5	FUNCTION DESCRIPTIONS	277
5.1	SPEED RANGE SWITCHING CONTROL (OPTIONAL FUNCTION)	278
5.1.1	Overview	278
5.1.2	Series and Editions of Applicable Spindle Software.....	278
5.1.3	Configuration	278
5.1.4	I/O Signals (CNC↔PMC)	279
5.1.5	Sequence.....	283
5.1.6	List of Related Parameters.....	285
5.1.7	Details of Related Parameters.....	286
5.1.8	Parameter-specified Switching between High- and Low-speed Characteristics ..	287
5.2	SPINDLE SWITCHING CONTROL	290
5.2.1	Overview	290
5.2.2	Series and Editions of Applicable Spindle Software.....	290
5.2.3	Configuration	290
5.2.4	Details of Specifications.....	291
5.2.5	Restrictions.....	292
5.2.6	I/O Signals (CNC↔PMC)	292
5.2.7	Sequence.....	295
5.2.8	List of Related Parameters.....	297
5.2.9	Details of Related Parameters.....	297
5.2.10	Parameter Setting Procedure	300
5.2.11	Supplementary Descriptions about Parameters	301
5.3	INCREMENTAL COMMAND TYPE SPINDLE ORIENTATION (SPINDLE ROTATION SPEED CONTROL) (OPTIONAL FUNCTION)	305
5.3.1	Overview	305
5.3.2	Series and Editions of Applicable Spindle Software.....	305
5.3.3	System Configuration.....	306
5.3.4	I/O Signals (CNC↔PMC)	309
5.3.5	Examples of Sequences	311

5.3.6	List of Related Parameters.....	313
5.3.7	Details of Related Parameters.....	314
5.4	CONVENTIONAL METHOD ORIENTATION (OPTIONAL FUNCTION)....	315
5.4.1	Overview	315
5.4.2	Series and Editions of Applicable Spindle Software.....	315
5.4.3	Configuration	315
5.4.4	I/O Signals (CNC↔PMC)	319
5.4.5	Sequence.....	320
5.4.6	List of Related Parameters.....	320
5.4.7	Details of Related Parameters.....	321
5.4.8	Adjusting the Orientation Stop Position Shift Parameter.....	326
5.4.9	Calculating the Position Gain for Orientation.....	327
5.4.10	Calculating the Orientation Time	328
5.5	SPINDLE ORIENTATION DURING SPINDLE SYNCHRONIZATION CONTROL (OPTIONAL FUNCTION)	331
5.5.1	Overview	331
5.5.2	Series and Editions of Applicable Spindle Software.....	331
5.5.3	Specification.....	332
5.5.4	I/O Signals (CNC↔PMC)	334
5.5.5	Sequence.....	338
5.5.6	List of Related Parameters.....	340
5.5.7	Details of Related Parameters.....	341
5.6	SPINDLE FINE ACC./DEC. (FAD) FUNCTION	343
5.6.1	Overview	343
5.6.2	Series and Editions of Applicable Spindle Software.....	343
5.6.3	Block Diagram	344
5.6.4	Parameters	344
5.6.5	Diagnosis (Diagnosis Screen).....	346
5.6.6	Status Errors	346
5.6.7	Cautions.....	347
5.7	UNEXPECTED DISTURBANCE TORQUE DETECTION FUNCTION (OPTIONAL FUNCTION).....	349
5.7.1	Overview	349
5.7.2	Series and Editions of Applicable Spindle Software.....	349
5.7.3	I/O Signals (CNC↔PMC)	350
5.7.4	List of Related Parameters.....	351
5.7.5	Details of Related Parameters.....	351
5.7.6	Parameter Tuning Procedure	353
5.8	SPINDLE EGB (SPINDLE ELECTRONIC GEAR BOX) (OPTIONAL FUNCTION)	355
5.8.1	Overview	355
5.8.2	Series and Editions of Applicable Spindle Software.....	355
5.8.3	System Configuration.....	356
5.8.4	Block Diagram	360
5.8.5	I/O Signals (CNC↔PMC)	361
5.8.6	Examples of Sequences	361
5.8.7	List of Related Parameters.....	362
5.8.8	Details of Related Parameters.....	363
5.8.9	Diagnosis Signal Related to Spindle EGB	367

5.8.10	Status Errors Related to Spindle EGB.....	367
5.8.11	Alarms	367
5.9	DIFFERENTIAL SPINDLE SPEED CONTROL	369
5.9.1	Overview	369
5.9.2	Series and Editions of Applicable Spindle Software.....	369
5.9.3	Configuration	370
5.9.4	Description	371
5.9.5	I/O Signals (CNC↔PMC).....	371
5.9.6	Examples of Sequences	372
5.9.7	List of Related Parameters.....	373
5.9.8	Details of Related Parameters.....	373
5.9.9	Status Errors on Differential Spindle Speed Control	374
5.10	DUAL POSITION FEEDBACK FUNCTION (OPTIONAL FUNCTION)	375
5.10.1	Overview	375
5.10.2	Series and Editions of Applicable Spindle Software.....	375
5.10.3	Block Diagram	376
5.10.4	List of Related Parameters.....	377
5.10.5	Details of Related Parameters.....	377
5.10.6	Spindle Alarm.....	381
5.11	TORQUE TANDEM CONTROL FUNCTION (OPTIONAL FUNCTION)	382
5.11.1	Overview	382
5.11.2	Series and Editions of Applicable Spindle Software.....	382
5.11.3	System Configuration.....	383
5.11.4	I/O Signals (CNC↔PMC)	384
5.11.5	Examples of Sequences	388
5.11.6	Parameters	392
5.11.7	Alarm and Status Error.....	395
5.12	MAGNETIC SENSOR METHOD SPINDLE ORIENTATION (OPTIONAL FUNCTION)	396
5.12.1	Overview	396
5.12.2	Series and Editions of Applicable Spindle Software.....	396
5.12.3	System Configuration.....	396
5.12.4	I/O Signals (CNC↔PMC)	397
5.12.5	Sequence.....	397
5.12.6	Parameters	398
5.13	SPINDLE BACKLASH ACCELERATION FUNCTION (OPTIONAL FUNCTION)	403
5.13.1	Overview	403
5.13.2	Series and Editions of Applicable Spindle Software.....	403
5.13.3	Block Diagram	403
5.13.4	Parameters	404
5.13.5	Example of Adjustment.....	405
5.14	HIGH-SPEED SPINDLE ORIENTATION (OPTIONAL FUNCTION)	409
5.14.1	Overview	409
5.14.2	Series and Editions of Applicable Spindle Software.....	409
5.14.3	System Configuration.....	409
5.14.4	I/O Signals (CNC↔PMC)	412
5.14.5	Sequence.....	413
5.14.6	List of Related Parameters.....	417

5.14.7	Details of Related Parameters.....	418
5.14.8	Spindle Data Used in Tuning	422
5.14.9	Tuning Procedure	423

II. FANUC AC SPINDLE MOTOR β i series

1	START-UP.....	433
1.1	START-UP PROCEDURE	434
1.2	SPINDLE SERIAL INTERFACE (OPTIONAL FUNCTION).....	435
1.2.1	Parameters Related to Spindle Serial Output	435
1.2.2	Automatic Spindle Parameter Initialization	435
1.2.3	Diagnosis (Diagnosis Screen).....	436
1.2.4	Alarm.....	436
1.3	PARAMETERS RELATED TO DETECTORS.....	437
1.3.1	List of Parameters for Detectors.....	437
1.3.2	Details of Parameters for Detectors.....	437
1.3.3	Typical Detector Configurations	438
2	EXPLANATION OF OPERATION MODES.....	442
2.1	VELOCITY CONTROL MODE	443
2.1.1	Start-up Procedure.....	443
2.1.2	Overview	443
2.1.3	System Configuration.....	443
2.1.4	List of I/O Signals (CNC \leftrightarrow PMC).....	443
2.1.5	Related Parameters	443
2.1.6	Details of Related Parameters.....	443
2.1.7	Troubleshooting	443
2.2	POSITION CODER METHOD SPINDLE ORIENTATION (OPTIMUM ORIENTATION) (OPTIONAL FUNCTION)	444
2.2.1	Start-up Procedure.....	444
2.2.2	Overview	444
2.2.3	Transition from Conventional Method Orientation to Optimum Orientation	444
2.2.4	Feature	444
2.2.5	Block Diagram	444
2.2.6	System Configuration.....	444
2.2.7	Stop Position Specification Method	447
2.2.8	I/O Signals (CNC \leftrightarrow PMC)	447
2.2.9	Examples of Sequences	447
2.2.10	Explanation of Operation	447
2.2.11	Related Parameters	447
2.2.12	Details of Related Parameters.....	447
2.2.13	Adjustment Procedure	447
2.2.14	Adjusting the Orientation Stop Position Shift Parameter.....	447
2.2.15	Supplementary Descriptions.....	448
2.3	RIGID TAPPING (OPTIONAL FUNCTION)	449
2.3.1	Start-up Procedure.....	449
2.3.2	Overview	449
2.3.3	System Configuration.....	449
2.3.4	List of I/O Signals (CNC \leftrightarrow PMC).....	452

2.3.5	Sequence.....	452
2.3.6	Related Parameters	452
2.3.7	Details of Related Parameters.....	452
2.3.8	Parameter Setting Procedure	452
2.3.9	Adjustment Procedure	452
2.3.10	Diagnosis (Diagnosis Screen).....	452
2.3.11	Alarm.....	452
2.4	Cs CONTOURING CONTROL (OPTIONAL FUNCTION)	453
2.4.1	Start-up Procedure.....	453
2.4.2	Overview	453
2.4.3	System Configuration.....	453
2.4.4	List of I/O Signals (CNC↔PMC).....	454
2.4.5	Examples of Sequences	454
2.4.6	Velocity Loop Gains Override Function on Cs Contouring Control Mode	454
2.4.7	Related Parameters	455
2.4.8	Details of Related Parameters.....	455
2.4.9	Diagnosis (Diagnosis Screen).....	456
2.4.10	Alarm.....	456
2.5	SPINDLE SYNCHRONOUS CONTROL (OPTIONAL FUNCTION).....	457
2.5.1	Start-up Procedure.....	457
2.5.2	Overview	457
2.5.3	System Configuration.....	457
2.5.4	Explanation of Operation	461
2.5.5	I/O Signals (CNC↔PMC)	461
2.5.6	Examples of Sequences	461
2.5.7	Related Parameters	461
2.5.8	Details of Related Parameters.....	461
2.5.9	Number of Error Pulses in Spindle Synchronous Control.....	461
2.5.10	Specifying a Shift Amount for Spindle Phase Synchronous Control.....	461
2.5.11	Diagnosis (Diagnosis Screen).....	461
2.5.12	Alarm.....	462
2.6	SPECIFICATIONS COMMON TO ALL OPERATION MODES.....	463
2.6.1	Overview	463
2.6.2	List of I/O Signals (CNC↔PMC).....	463
2.6.3	Parameters	463
2.6.4	Details of parameters.....	463
2.6.5	Diagnosis (Diagnosis Screen).....	463
3	I/O SIGNALS (CNC↔PMC)	464
3.1	INPUT SIGNALS (PMC→CNC→SVSP).....	465
3.1.1	List of Input Signals	465
3.1.2	Explanation of Input Signals	465
3.1.3	Details of input signals	465
3.2	OUTPUT SIGNALS (SVSP→CNC→PMC).....	466
3.2.1	List of Output Signals.....	466
3.2.2	Explanation of Output Signals	466
3.2.3	Details of Output Signals	466
4	ADJUSTMENT	467
4.1	VELOCITY LOOP GAIN ADJUSTMENT	468

4.1.1	Overview	468
4.1.2	Parameters	468
4.1.3	Adjustment Procedure	468
4.1.4	Additional Information (Position Gain Adjustment).....	468
5	FUNCTION DESCRIPTIONS	469
5.1	INCRMENTAL COMMAND TYPE SPINDLE ORIENTATION (SPINDLE ROTATION SPEED CONTROL) (OPTIONAL FUNCTION)	470
5.1.1	Overview	470
5.1.2	System Configuration.....	470
5.1.3	I/O Signals (CNC↔PMC)	472
5.1.4	Examples of Sequences	472
5.1.5	List of Related Parameters.....	473
5.1.6	Details of Related Parameters.....	473
5.2	CONVENTIONAL METHOD ORIENTATION (OPTIONAL FUNCTION)....	474
5.2.1	Overview	474
5.2.2	System Configuration.....	474
5.2.3	I/O Signals (CNC↔PMC)	476
5.2.4	Sequence.....	476
5.2.5	List of Related Parameters.....	476
5.2.6	Details of Related Parameters.....	476
5.2.7	Adjusting the Orientation Stop Position Shift Parameter.....	476
5.2.8	Calculating the Position Gain for Orientation	476
5.2.9	Calculating the Orientation Time	476
5.3	SPINDLE FINE ACC./DEC. (FAD) FUNCTION	477
5.3.1	Overview	477
5.3.2	Series and Editions of Applicable Spindle Software.....	477
5.3.3	Block Diagram	477
5.3.4	Parameters	478
5.3.5	Diagnosis (Diagnosis Screen).....	478
5.3.6	Status Errors	478
5.3.7	Cautions.....	478
5.4	UNEXPECTED DISTURBANCE TORQUE DETECTION FUNCTION (OPTIONAL FUNCTION).....	479
5.4.1	Overview	479
5.4.2	Series and Editions of Applicable Spindle Software.....	479
5.4.3	I/O Signals (CNC↔PMC)	479
5.4.4	List of Related Parameters.....	479
5.4.5	Details of Related Parameters.....	479
5.4.6	Parameter Tuning Procedure	480
5.5	HIGH-SPEED SPINDLE ORIENTATION (OPTIONAL FUNCTION)	481
5.5.1	Overview	481
5.5.2	System Configuration.....	481
5.5.3	I/O Signals (CNC↔PMC)	482
5.5.4	Sequence.....	482
5.5.5	List of Related Parameters.....	482
5.5.6	Details of Related Parameters.....	482
5.5.7	Spindle Data Used in Tuning	483
5.5.8	Tuning Procedure	483

III. FANUC AC SPINDLE MOTOR α Ci series

1	START-UP	487
1.1	START-UP PROCEDURE	488
1.2	SPINDLE SERIAL INTERFACE (OPTIONAL FUNCTION).....	489
1.2.1	Parameters Related to Spindle Serial Output	489
1.2.2	Automatic Spindle Parameter Initialization	489
1.2.3	Diagnosis (Diagnosis Screen).....	490
1.2.4	Alarm.....	490
1.3	PARAMETERS RELATED TO DETECTORS.....	491
1.3.1	List of Parameters for Detectors.....	491
1.3.2	Details of Parameters for Detectors.....	492
1.3.3	Typical Detector Configurations	496
2	EXPLANATION OF OPERATION MODES	498
2.1	VELOCITY CONTROL MODE	499
2.1.1	Start-up Procedure.....	499
2.1.2	Overview	499
2.1.3	System Configuration.....	499
2.1.4	List of I/O Signals (CNC \leftrightarrow PMC).....	500
2.1.5	Related Parameters	504
2.1.6	Details of Related Parameters.....	505
2.1.7	Troubleshooting	510
2.2	POSITION CODER METHOD SPINDLE ORIENTATION (OPTIONAL FUNCTION)	514
2.2.1	Start-up Procedure.....	514
2.2.2	Overview	515
2.2.3	Feature	515
2.2.4	System Configuration.....	515
2.2.5	Stop Position Specification Method	515
2.2.6	I/O Signals (CNC \leftrightarrow PMC)	516
2.2.7	Examples of Sequences	516
2.2.8	Related Parameters	517
2.2.9	Details of Related Parameters.....	518
2.2.10	Adjusting the Orientation Stop Position Shift Parameter.....	522
2.3	RIGID TAPPING (OPTIONAL FUNCTION)	523
2.3.1	Start-up Procedure.....	523
2.3.2	Overview	523
2.3.3	System Configuration.....	524
2.3.4	List of I/O Signals (CNC \leftrightarrow PMC).....	525
2.3.5	Sequence.....	527
2.3.6	Related Parameters	528
2.3.7	Details of Related Parameters.....	529
2.3.8	Parameter Setting Procedure	534
2.3.9	Adjustment Procedure	539
2.3.10	Diagnosis (Diagnosis Screen).....	539
2.3.11	Alarm.....	539
2.4	SPINDLE SYNCHRONOUS CONTROL (OPTIONAL FUNCTION).....	540
2.4.1	Start-up Procedure.....	540

2.4.2	Overview	541
2.4.3	System Configuration.....	541
2.4.4	Explanation of Operation	542
2.4.5	I/O Signals (CNC↔PMC)	542
2.4.6	Examples of Sequences	542
2.4.7	Related Parameters	543
2.4.8	Details of Related Parameters.....	544
2.4.9	Number of Error Pulses in Spindle Synchronous Control.....	550
2.4.10	Specifying a Shift Amount for Spindle Phase Synchronous Control.....	550
2.4.11	Diagnosis (Diagnosis Screen).....	550
2.4.12	Alarm.....	550
2.5	SPECIFICATIONS COMMON TO ALL OPERATION MODES.....	551
2.5.1	Overview	551
2.5.2	List of I/O Signals (CNC↔PMC).....	551
2.5.3	Parameters	555
2.5.4	Details of parameters.....	557
2.5.5	Diagnosis (Diagnosis Screen).....	564
3	I/O SIGNALS (CNC↔PMC)	565
3.1	INPUT SIGNALS (PMC→CNC→SPMC)	566
3.1.1	List of Input Signals	566
3.1.2	Explanation of Input Signals	567
3.1.3	Details of Input Signals	567
3.2	OUTPUT SIGNALS (SPMC→CNC→PMC)	569
3.2.1	List of Output Signals.....	569
3.2.2	Explanation of Output Signals	569
3.2.3	Details of Output Signals	569
4	ADJUSTMENT	571
4.1	VELOCITY LOOP GAIN ADJUSTMENT	572
4.1.1	Overview	572
4.1.2	Parameters	572
4.1.3	Adjustment Procedure	575
4.1.4	Additional Information (Position Gain Adjustment).....	576
 IV. FANUC BUILT-IN SPINDLE MOTOR BiS series		
1	START-UP.....	579
1.1	START-UP PROCEDURE	580
1.2	SPINDLE SERIAL INTERFACE (OPTIONAL FUNCTION).....	581
1.2.1	Parameters Related to Spindle Serial Output	581
1.2.2	Automatic Spindle Parameter Initialization	581
1.2.3	Diagnosis (Diagnosis Screen).....	581
1.2.4	Alarm.....	582
1.3	PARAMETERS RELATED TO DETECTORS.....	583
1.3.1	List of Parameters for Detectors.....	583
1.3.2	Details of Parameters for Detectors.....	583
1.3.3	Series and Editions of Applicable Spindle Software.....	583
1.3.4	Typical Detector Configurations	584

1.4	SUB MODULE SM.....	586
1.4.1	Overview	586
1.4.2	Series and Editions of Applicable Spindle Software.....	586
1.4.3	Configuration	587
1.4.4	Related Parameters	587
1.4.5	Stop Processing When a Sub Module SM Error Occurs	588
1.4.6	Alarm and Status Error	589
1.4.7	Caution	590
1.5	POLE POSITION DETECTION	592
1.5.1	Overview	592
1.5.2	Pole Position Detection Operation	594
1.5.3	AMR Offset Function.....	597
1.5.4	I/O Signals (CNC↔PMC)	601
1.5.5	Related Parameters	603
1.5.6	Sequence.....	609
1.5.7	Causes of Spindle Alarm 65	611
1.5.8	Cautions.....	611
2	EXPLANATION OF OPERATION MODES.....	613
2.1	VELOCITY CONTROL MODE.....	614
2.1.1	Start-up Procedure.....	614
2.1.2	Overview	614
2.1.3	System Configuration.....	614
2.1.4	List of I/O Signals (CNC↔PMC).....	614
2.1.5	Related Parameters	615
2.1.6	Details of Related Parameters.....	617
2.1.7	Troubleshooting	624
2.2	POSITION CODER METHOD SPINDLE ORIENTATION (OPTIMUM ORIENTATION) (OPTIONAL FUNCTION)	625
2.2.1	Start-up Procedure.....	625
2.2.2	Overview	625
2.2.3	Transition from Conventional Method Orientation to Optimum Orientation	625
2.2.4	Feature	625
2.2.5	Block Diagram	625
2.2.6	System Configuration.....	625
2.2.7	Stop Position Specification Method	626
2.2.8	I/O Signals (CNC↔PMC)	626
2.2.9	Examples of Sequences	626
2.2.10	Explanation of Operation	627
2.2.11	Related Parameters	627
2.2.12	Details of Related Parameters.....	627
2.2.13	Tuning Procedure	627
2.2.14	Adjusting the Orientation Stop Position Shift Parameter	627
2.2.15	Supplementary Descriptions.....	627
2.3	RIGID TAPPING (OPTIONAL FUNCTION)	628
2.3.1	Start-up Procedure.....	628
2.3.2	Overview	628
2.3.3	System Configuration.....	628
2.3.4	List of I/O Signals (CNC↔PMC).....	629
2.3.5	Sequence.....	629

2.3.6	Related Parameters	630
2.3.7	Details of Related Parameters.....	632
2.3.8	Parameter Setting Procedure	638
2.3.9	Adjustment Procedure	638
2.3.10	Diagnosis (Diagnosis Screen).....	642
2.3.11	Alarm.....	642
2.4	Cs CONTOURING CONTROL (OPTIONAL FUNCTION)	643
2.4.1	Start-up Procedure.....	643
2.4.2	Overview	643
2.4.3	System Configuration.....	643
2.4.4	List of I/O Signals (CNC↔PMC).....	644
2.4.5	Examples of Sequences	644
2.4.6	Velocity Loop Gains Override Function on Cs Contouring Control Mode	644
2.4.7	Related Parameters	645
2.4.8	Details of Related Parameters.....	647
2.4.9	Diagnosis (Diagnosis Screen).....	655
2.4.10	Alarm.....	655
2.5	SPINDLE SYNCHRONOUS CONTROL (OPTIONAL FUNCTION).....	656
2.5.1	Start-up Procedure.....	656
2.5.2	Overview	656
2.5.3	System Configuration.....	656
2.5.4	Explanation of Operation	659
2.5.5	I/O Signals (CNC↔PMC)	659
2.5.6	Examples of Sequences	659
2.5.7	Related Parameters	660
2.5.8	Details of Related Parameters.....	661
2.5.9	Number of Error Pulses in Spindle Synchronous Control.....	668
2.5.10	Specifying a Shift Amount for Spindle Phase Synchronous Control.....	668
2.5.11	Diagnosis (Diagnosis Screen).....	668
2.5.12	Alarm.....	668
2.6	SPECIFICATIONS COMMON TO ALL OPERATION MODES.....	669
2.6.1	Overview	669
2.6.2	List of I/O Signals (CNC↔PMC).....	669
2.6.3	Parameters	673
2.6.4	Details of Parameters.....	676
2.6.5	Diagnosis (Diagnosis Screen).....	688
3	I/O SIGNALS (CNC↔PMC)	689
3.1	INPUT SIGNALS (PMC→CNC→SP).....	690
3.1.1	List of Input Signals	690
3.1.2	Explanation of Input Signals	691
3.1.3	Details of Input Signals	692
3.2	OUTPUT SIGNALS (SP→CNC→PMC).....	696
3.2.1	List of Output Signals.....	696
3.2.2	Explanation of Output Signals	697
3.2.3	Details of Output Signals	698
4	ADJUSTMENT	700
4.1	VELOCITY LOOP GAIN ADJUSTMENT	701
4.1.1	Overview	701

4.1.2	Parameters	701
4.1.3	Adjustment Procedure	701
4.1.4	Additional Information (Position Gain Adjustment).....	701
4.2	MACHINE RESONANCE ELIMINATION.....	702
4.2.1	TCMD Filter.....	702
4.2.2	HRV Filter.....	702
4.2.3	Disturbance Input Function	702
4.3	AMPLITUDE RATIO/PHASE DIFFERENCE COMPENSATION FUNCTION	703
5	FUNCTION DESCRIPTIONS	704
5.1	SPEED RANGE SWITCHING CONTROL (OPTIONAL FUNCTION)	705
5.2	SPINDLE SWITCHING CONTROL	706
5.3	INCRMENTAL COMMAND TYPE SPINDLE ORIENTATION (SPINDLE ROTATION SPEED CONTROL) (OPTIONAL FUNCTION)	707
5.3.1	Overview	707
5.3.2	Series and Editions of Applicable Spindle Software.....	707
5.3.3	System Configuration.....	707
5.3.4	I/O Signals (CNC↔PMC)	708
5.3.5	Examples of Sequences	709
5.3.6	List of Related Parameters.....	709
5.3.7	Details of Related Parameters.....	709
5.4	CONVENTIONAL METHOD ORIENTATION (OPTIONAL FUNCTION)....	710
5.4.1	Overview	710
5.4.2	Series and Editions of Applicable Spindle Software.....	710
5.4.3	System Configuration.....	710
5.4.4	I/O Signals (CNC↔PMC)	712
5.4.5	Sequence.....	712
5.4.6	List of Related Parameters.....	712
5.4.7	Details of Related Parameters.....	712
5.4.8	Adjusting the Orientation Stop Position Shift Parameter	712
5.4.9	Calculating the Position Gain for Orientation	712
5.4.10	Calculating the Orientation Time	712
5.5	SPINDLE ORIENTATION DURING SPINDLE SYNCHRONOUS CONTROL (OPTIONAL FUNCTION).....	713
5.5.1	Overview	713
5.5.2	Series and Editions of Applicable Spindle Software.....	713
5.5.3	Specification.....	713
5.5.4	I/O Signals (CNC↔PMC)	714
5.5.5	Sequence.....	715
5.5.6	List of Related Parameters.....	716
5.5.7	Details of Related Parameters.....	716
5.6	SPINDLE FINE ACC./DEC. (FAD) FUNCTION	717
5.6.1	Overview	717
5.6.2	Series and Editions of Applicable Spindle Software.....	717
5.6.3	Block Diagram	717
5.6.4	Parameters	717
5.6.5	Diagnosis (Diagnosis Screen).....	717

5.6.6	Status Errors	718
5.6.7	Cautions.....	718
5.7	UNEXPECTED DISTURBANCE TORQUE DETECTION FUNCTION	
	(OPTIONAL FUNCTION).....	719
5.7.1	Overview	719
5.7.2	Series and Editions of Applicable Spindle Software.....	719
5.7.3	I/O Signals (CNC↔PMC)	720
5.7.4	List of Related Parameters.....	721
5.7.5	Details of Related Parameters.....	721
5.7.6	Parameter Tuning Procedure	721
5.8	SPINDLE EGB (SPINDLE ELECTRONIC GEAR BOX) (OPTIONAL	
	FUNCTION)	722
5.8.1	Overview	722
5.8.2	Series and Editions of Applicable Spindle Software.....	722
5.8.3	System Configuration.....	724
5.8.4	Block Diagram	725
5.8.5	I/O Signals (CNC↔PMC)	725
5.8.6	Examples of Sequences	726
5.8.7	List of Related Parameters.....	727
5.8.8	Details of Related Parameters.....	728
5.8.9	Diagnosis Signal Related to Spindle EGB	728
5.8.10	Status Errors Related to Spindle EGB.....	728
5.8.11	Alarms	728
5.9	DIFFERENTIAL SPINDLE SPEED CONTROL	729
5.10	DUAL POSITION FEEDBACK FUNCTION (OPTIONAL FUNCTION)	729
5.11	TORQUE TANDEM CONTROL FUNCTION (OPTIONAL FUNCTION)	729
5.12	MAGNETIC SENSOR METHOD SPINDLE ORIENTATION (OPTIONAL	
	FUNCTION)	729
5.13	SPINDLE BACKLASH ACCELERATION FUNCTION (OPTIONAL	
	FUNCTION)	730
5.13.1	Overview	730
5.13.2	Series and Editions of Applicable Spindle Software.....	730
5.13.3	Block Diagram	730
5.13.4	Parameters	730
5.13.5	Example of Adjustment.....	730
5.14	HIGH-SPEED SPINDLE ORIENTATION (OPTIONAL FUNCTION)	731
5.14.1	Overview	731
5.14.2	System Configuration.....	731
5.14.3	I/O Signals (CNC↔PMC)	732
5.14.4	Sequence.....	732
5.14.5	List of Related Parameters.....	732
5.14.6	Details of Related Parameters.....	732
5.14.7	Spindle Data Used in Tuning	732
5.14.8	Tuning Procedure	732

APPENDIX

A	SPINDLE PARAMETER TABLE.....	735
A.1	αi SERIES SPINDLE PARAMETER TABLE	736
A.2	αCi SERIES SPINDLE PARAMETER TABLE	753
A.3	BiS SERIES SPINDLE PARAMETER TABLE	757
B	LIST OF SPINDLE PARAMETER NUMBERS.....	765
C	PARAMETER TABLE FOR EACH MOTOR MODEL	772
C.1	SPINDLE MOTOR αiI series	773
C.2	SPINDLE MOTOR αiIP series	778
C.3	SPINDLE MOTOR αiT series	780
C.4	SPINDLE MOTOR αiIL series	783
C.5	SPINDLE MOTOR αiI series (400V)	784
C.6	SPINDLE MOTOR αiIP series (400V)	786
C.7	SPINDLE MOTOR αiT series (400V).....	787
C.8	SPINDLE MOTOR αiIL series (400V)	789
C.9	SPINDLE MOTOR βiI series	790
C.10	SPINDLE MOTOR βiIP series	792
C.11	SPINDLE MOTOR αCi series.....	793
D	LISTS OF ALARMS/STATE ERRORS	794
D.1	LIST OF SPINDLE ALARMS	795
D.2	LIST OF SPINDLE STATE ERRORS	798
E	TABLE OF I/O SIGNALS RELATED TO SPINDLE CONTROL	802
E.1	αi SERIES SPINDLE	803
E.1.1	Input Signals (PMC→CNC).....	803
E.1.2	Output Signals (CNC→PMC).....	805
E.2	αCi SERIES SPINDLE	808
E.2.1	Input Signals (PMC→CNC).....	808
E.2.2	Output Signals (CNC→PMC).....	810
E.3	BiS SERIES SPINDLE	812
E.3.1	Input Signals (PMC→CNC).....	812
E.3.2	Output Signals (CNC→PMC).....	814
F	OBSERVING DATA USING THE SERVO GUIDE.....	817
F.1	SERIES AND EDITIONS OF APPLICABLE SPINDLE SOFTWARE	817
F.2	SPINDLE DATA THAT CAN BE OBSERVED USING THE SERVO GUIDE	818
F.2.1	Data List	818
F.2.2	About the Spindle Speed Control and Spindle Status Signals	819

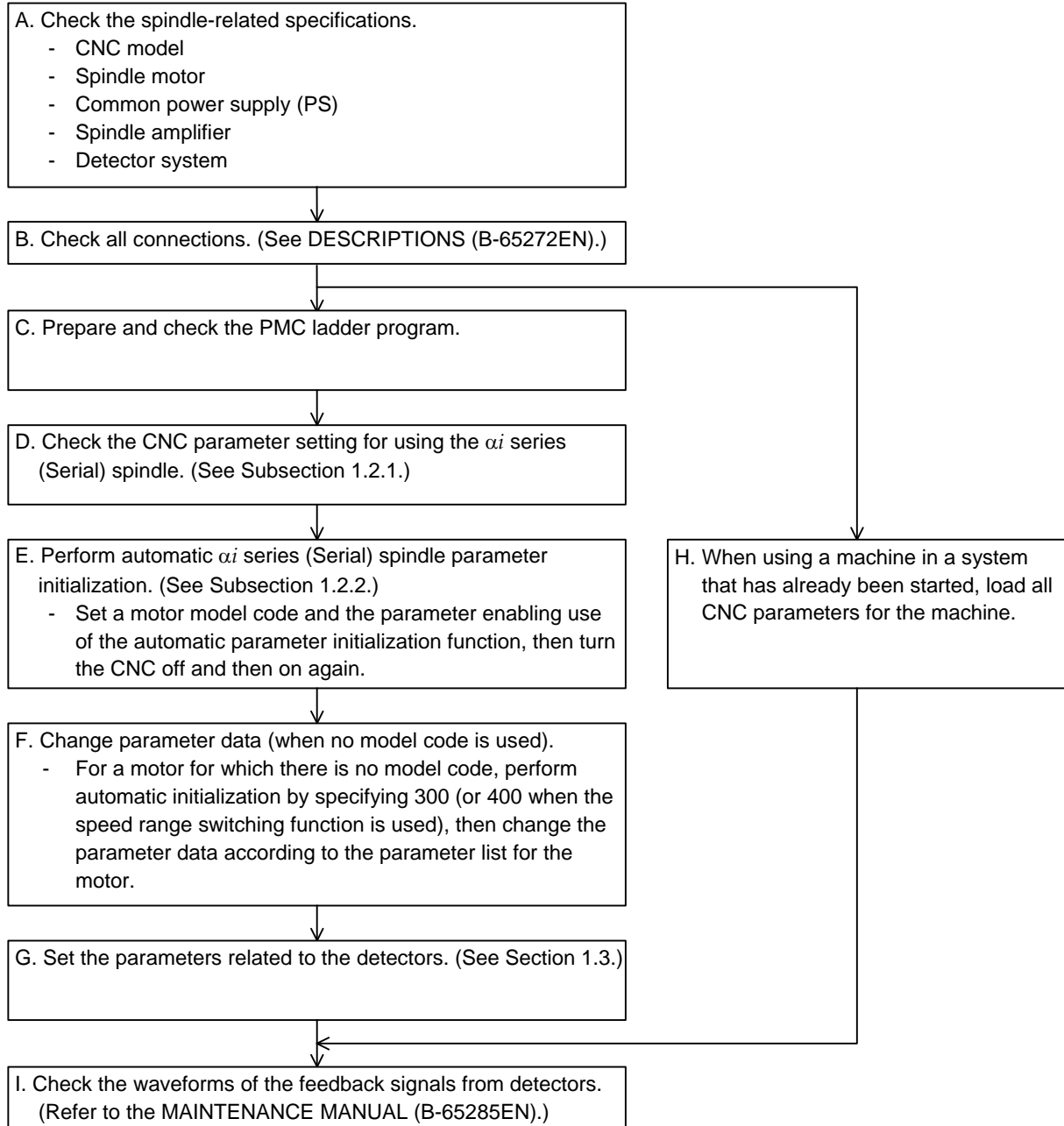
F.3	EXAMPLE OF OBSERVING DATA.....	821
G	PARAMETER SPECIFICATION DIFFERENCES BETWEEN THE α_i SERIES AND αC_i SERIES.....	827
G.1	PARAMETERS WITH DIFFERENT MEANINGS.....	828
H	PARAMETER SPECIFICATION DIFFERENCES BETWEEN THE α_i SERIES AND $B_i S$ SERIES.....	830
H.1	PARAMETERS WITH DIFFERENT MEANINGS.....	831

I. FANUC AC SPINDLE MOTOR αi series
FANUC BUILT-IN SPINDLE MOTOR BiI series

1

START-UP

1.1 START-UP PROCEDURE



1.2 SPINDLE SERIAL INTERFACE (OPTIONAL FUNCTION)

1.2.1 Parameters Related to Spindle Serial Output

This subsection provides a list of the parameters related to spindle serial output only. For details of each parameter, refer to the Connection Manual (Function) of each CNC.

- (a) For Series 16*i*/18*i*/21*i*
“FANUC Series 16*i*/18*i*/21*i*-MODEL B
CONNECTION MANUAL (FUNCTION) : B-63523EN-1
Refer to Section 9.2, “SPINDLE SERIAL OUTPUT/SPINDLE ANALOG OUTPUT.”
- (b) For Series 30*i*/31*i*/32*i*
“FANUC Series 30*i*/31*i*/32*i*-MODEL A
CONNECTION MANUAL (FUNCTION) : B-63943EN-1
Refer to Section 11.2, “SPINDLE SERIAL OUTPUT.”
- (c) For Series 15*i*
“FANUC Series 15*i*-MODEL B
CONNECTION MANUAL (FUNCTION) : B-63783EN-1
Refer to Section 9.2, “SPINDLE SERIAL OUTPUT/SPINDLE ANALOG OUTPUT.”
- (d) For Series 0*i*
“FANUC Series 0*i*-MODEL C
CONNECTION MANUAL (FUNCTION) : B-64113EN-1
Refer to Section 9.2, “SPINDLE SERIAL OUTPUT/SPINDLE ANALOG OUTPUT.”

Parameter No.			Description
15 <i>i</i>	16 <i>i</i>	30 <i>i</i>	
—	3701#1	—	Whether to use the serial interface (Set 0.)
—	—	3716#0	Selection of a spindle (analog/serial) (Set 1.)
5606#0	—	—	Selection of an interface (serial/analog) (Set 1.)
—	3701#4	—	Number of connectable serial spindles (Whether to use the second serial spindle)
—	—	3702#1	Multi-spindle control function (Whether to use the multi-spindle control function)
5841	—	—	Motor number of each spindle
—	—	3717	Amplifier number of each spindle
5845	—	3718	Spindle indication subscript (main spindle)
5846	—	3719	Spindle indication subscript (sub-spindle)
5850	—	—	Spindle number selected at power-on/reset time

NOTE

To use the spindle serial interface, the CNC software option is required.

1.2.2 Automatic Spindle Parameter Initialization

(1) Parameter list

Parameter No.			Description
15i	16i	30i	
5607#0	4019#7	4019#7	Function for automatically initializing spindle parameters
3133	4133	4133	Spindle motor model code

(2) Procedure for automatic spindle parameter initialization

Perform automatic spindle parameter initialization by following the procedure below.

- <1> Set the model code for the desired motor for automatic parameter initialization.

Parameter No.			Description
15i	16i	30i	
3133	4133	4133	Model code

NOTE

- 1 The control method usable with the α i series spindle is spindle HRV control only. The conventional control method is not supported.
- 2 When using a spindle motor that has no model code, set model code "300" ("400" for a spindle motor with speed range switching control) for automatic parameter setting, then manually input data according to the parameter table for each motor model.

- <2> Set the relevant parameter to enable automatic spindle parameter initialization.

Parameter No.			Description
15i	16i	30i	
—	4019#7	4019#7	1
5607#0	—	—	0

NOTE

This bit is reset to its original value after automatic parameter initialization.

- <3> Turn the CNC off, then on again. Then, the spindle parameters specified with a model code are automatically initialized.

1.2.3 Diagnosis (Diagnosis Screen)

This subsection provides a list of the diagnosis (diagnosis screen) indications related to spindle serial output only. For details, refer to the Connection Manual (Function) of each CNC.

- (a) For Series 16*i*/18*i*/21*i*
“FANUC Series 16*i*/18*i*/21*i*-MODEL B
CONNECTION MANUAL (FUNCTION) : B-63523EN-1
Refer to Section 9.2, “SPINDLE SERIAL OUTPUT/SPINDLE ANALOG OUTPUT.”
- (b) For Series 30*i*/31*i*/32*i*
“FANUC Series 30*i*/31*i*/32*i*-MODEL A
CONNECTION MANUAL (FUNCTION) : B-63943EN-1
Refer to Section 11.2, “SPINDLE SERIAL OUTPUT.”
- (c) For Series 15*i*
“FANUC Series 15*i*-MODEL B
CONNECTION MANUAL (FUNCTION) : B-63783EN-1
Refer to Section 9.2, “SPINDLE SERIAL OUTPUT/SPINDLE ANALOG OUTPUT.”
- (d) For Series 0*i*
“FANUC Series 0*i*-MODEL C
CONNECTION MANUAL (FUNCTION) : B-64113EN-1
Refer to Section 9.2, “SPINDLE SERIAL OUTPUT/SPINDLE ANALOG OUTPUT.”

(1) For Series 16*i*

Address	Description
400	Information including spindle control
408	Information about spindle serial output interface communication errors
409	Information about spindle serial output interface activation

(2) For Series 30*i*

Address	Description
400	Information including spindle control
408	Information about spindle serial output interface communication errors

(3) For Series 15*i*

Address	Description
1500	Information about spindle serial output interface communication errors

1.2.4 Alarm

This subsection provides a list of the alarms related to spindle serial output only. For details of each alarm, refer to the Connection Manual (Function) of each CNC.

- (a) For Series 16*i*/18*i*/21*i*
“FANUC Series 16*i*/18*i*/21*i*-MODEL B
CONNECTION MANUAL (FUNCTION) : B-63523EN-1
Refer to Section 9.2, “SPINDLE SERIAL OUTPUT/SPINDLE ANALOG OUTPUT.”
- (b) For Series 30*i*/31*i*/32*i*
“FANUC Series 30*i*/31*i*/32*i*-MODEL A
CONNECTION MANUAL (FUNCTION) : B-63943EN-1
Refer to Section 11.2, “SPINDLE SERIAL OUTPUT.”
- (c) For Series 15*i*
“FANUC Series 15*i*-MODEL B
CONNECTION MANUAL (FUNCTION) : B-63783EN-1
Refer to Section 9.2, “SPINDLE SERIAL OUTPUT/SPINDLE ANALOG OUTPUT.”
- (d) For Series 0*i*
“FANUC Series 0*i*-MODEL C
CONNECTION MANUAL (FUNCTION) : B-64113EN-1
Refer to Section 9.2, “SPINDLE SERIAL OUTPUT/SPINDLE ANALOG OUTPUT.”

(1) For Series 16*i*

Alarm No.	Description
749	A serial communication error occurred while the system was being activated after power-on.
750	The (serial) spindle amplifier was not activated normally at power-on time.

(2) For Series 15*i* and Series 30*i*

Alarm No.		Description
15 <i>i</i>	30 <i>i</i>	
PS0223	—	Before a spindle to be controlled is set correctly, a command for using the spindle was executed.
SP0201	—	The same motor number other than 0 is set more than once in parameter No. 5841.
SP0202	—	A spindle number greater than the number of spindles is set in parameter No. 5850.
SP0220	SP1220	The cable connected to the serial spindle amplifier is disconnected, or no serial spindle amplifier is connected.
SP0221	—	The correspondence between spindle numbers and motor numbers is incorrect.
SP0225	SP1225	A CRC error (communication error) occurred in communication between the CNC and serial spindle amplifier.
SP0226	SP1226	A framing error occurred in communication between the CNC and serial spindle amplifier.
SP0227	SP1227	A receive error occurred in communication between the CNC and serial spindle amplifier.
SP0228	SP1228	A communication error occurred in communication between the CNC and serial spindle amplifier.
SP0229	—	A communication error occurred in communication between serial spindle amplifiers (between motor numbers 1 and 2 or between motor numbers 3 and 4).
—	SP1229	A communication error occurred in communication between serial spindle amplifiers (between an odd-numbered amplifier and even-numbered amplifier).

Alarm No.		Description
15 <i>i</i>	30 <i>i</i>	
SP0230	—	The value set in parameter No. 5841 is not within the allowable range.
SP0970	—	Spindle control initialization was not terminated.
SP0976	—	No amplifier number could be set for a serial spindle amplifier.
SP0978	—	A time-out was detected in communication with a serial spindle amplifier.
SP0979	—	The communication sequence was incorrect in communication with a serial spindle amplifier.
SP0980	SP1980 to SP1984	The SIC-LSI on the serial spindle amplifier side is faulty.
SP0981	—	An error occurred when data was written to the SIC-LSI on the serial spindle amplifier side.
SP0982	—	An error occurred when data was read from the SIC-LSI on the serial spindle amplifier side.
SP0983	—	An alarm on the spindle amplifier side could not be cleared.
SP0984	—	An error occurred during spindle amplifier reinitialization.
SP0985	—	Automatic parameter setting failed.
SP0987	SP1985 to SP1987	The SIC-LSI on the CNC side is faulty.
SP0996	—	The assignment of spindles and spindle motors is incorrect.
—	SP1245 to SP1247	A communication data error was detected on the CNC side.
—	SP1976 to SP1979	An error occurred with the spindle control software.
—	SP1988 to SP1989	An error occurred with the spindle control software.
—	SP1996	Spindle motor assignment is incorrect. Check the parameters indicated hereafter. (No.3716, No.3717)

1.3 PARAMETERS RELATED TO DETECTORS

NOTE

- 1 Note that the specifications of parameters related to detectors for the αi series spindle amplifiers differ from those of parameters for the α series spindle amplifiers.
- 2 The terms “motor sensor” and “spindle sensor” used in the text mean the speed/position detectors connected to the connectors described below.
 - (i) Motor sensor :
Detector connected to connector JYA2 or JYA3 (αi M sensor, αi MZ sensor, αi BZ sensor of a built-in motor, αi CZ sensor (analog, serial) of a built-in motor)
 - (ii) Spindle sensor :
Detector connected to connector JYA3 or JYA4 (αi position coder, α position coder S, separate αi BZ sensor, separate αi CZ sensor (analog, serial), and so forth)

1.3.1 List of Parameters for Detectors

Parameter No.			Description
15i	16i	30i	
—	3706#1,0	—	Gear ratio of spindle to position coder ($\times 1$, $\times 2$, $\times 4$, $\times 8$)
5842	—	3720	Number of pulses of the position coder
3000#0	4000#0	4000#0	Direction of spindle and spindle motor rotation
3001#4	4001#4	4001#4	Spindle sensor mounting direction
3002#3,2,1,0	4002#3,2,1,0	4002#3,2,1,0	Spindle sensor type setting
3003#7,6,5,4	4003#7,6,5,4	4003#7,6,5,4	Setting of the number of spindle sensor gear teeth
3004#3,2	4004#3,2	4004#3,2	External one-rotation signal (proximity switch) setting
3006#1	4006#1	4006#1	Gear ratio increment system
3007#5	4007#5	4007#5	Whether to detect disconnection of feedback signals
3007#6	4007#6	4007#6	Whether to detect alarms related to position feedback signals (on non-Cs contouring control mode)
3010#2,1,0	4010#2,1,0	4010#2,1,0	Motor sensor type setting
3011#2,1,0	4011#2,1,0	4011#2,1,0	Setting of the number of motor sensor gear teeth
3016#5	4016#5	4016#5	Whether to detect alarms related to position feedback (in Cs contouring control mode)
3016#6	4016#6	4016#6	Whether to detect alarms related to threading feedback
3016#7	4016#7	4016#7	Setting of the function of detecting the one-rotation signal again each time position control mode is set.
3394#2	4394#2	4394#2	Setting of the detection lower limit of the one-rotation signal
3394#5	4394#5	4394#5	Whether to detect the alarm related to spindle sensor polarity erroneous setting
3056 to 3059	4056 to 4059	4056 to 4059	Spindle-to-motor gear ratio data (This data is selected by spindle control input signals CTH1A and CTH2A.)

Parameter No.			Description
15 <i>i</i>	16 <i>i</i>	30 <i>i</i>	
3098	4098	4098	Maximum speed for position feedback signal detection
3171 3173	4171 4173	4171 4173	Denominator of arbitrary gear ratio between motor sensor and spindle (This data is selected by spindle control input signal CTH1A.)
3172 3174	4172 4174	4172 4174	Numerator of arbitrary gear ratio between motor sensor and spindle (This data is selected by spindle control input signal CTH1A.)
3334	4334	4334	Arbitrary number of motor sensor teeth
3355	4355	4355	Motor sensor signal amplitude ratio compensation
3356	4356	4356	Motor sensor signal phase difference compensation
3357	4357	4357	Spindle sensor signal amplitude ratio compensation
3358	4358	4358	Spindle sensor signal phase difference compensation
3361	4361	4361	Arbitrary number of spindle sensor teeth
3500 3502	4500 4502	4500 4502	Denominator of arbitrary gear ratio between spindle sensor and spindle (This data is selected by spindle control input signal CTH1A.)
3501 3503	4501 4503	4501 4503	Numerator of arbitrary gear ratio between spindle sensor and spindle (This data is selected by spindle control input signal CTH1A.)

1.3.2 Details of Parameters for Detectors

This subsection details the serial spindle parameters (in the four thousands for 16*i*, and in the four thousands for 30*i*, and in the three thousands for 15*i*) among the detector-related parameters. For details of other parameters, refer to the Connection Manual (Function) of each CNC.

- (a) For Series 16*i*/18*i*/21*i*
“FANUC Series 16*i*/18*i*/21*i*-MODEL B
CONNECTION MANUAL (FUNCTION) : B-63523EN-1
Refer to Section 9.3, “SPINDLE SPEED CONTROL.”
- (b) For Series 30*i*/31*i*/32*i*
“FANUC Series 30*i*/31*i*/32*i*-MODEL A
CONNECTION MANUAL (FUNCTION) : B-63943EN-1
Refer to Section 11.3, “SPINDLE SPEED CONTROL.”
- (c) For Series 15*i*
“FANUC Series 15*i*-MODEL B
CONNECTION MANUAL (FUNCTION) : B-63783EN-1
Refer to Section 9.3, “SPINDLE SPEED CONTROL.”
- (d) For Series 0*i*
“FANUC Series 0*i*-MODEL C
CONNECTION MANUAL (FUNCTION) : B-64113EN-1
Refer to Section 9.3, “SPINDLE SPEED CONTROL.”

15i	16i	30i	#7	#6	#5	#4	#3	#2	#1	#0
3000	4000	4000								ROTA1

ROTA1 Indicates the relationship between the rotation directions of spindle and spindle motor.
 0 : Rotates the spindle and spindle motor in the same direction.
 1 : Rotates the spindle and spindle motor in the reverse direction.

15i	16i	30i	#7	#6	#5	#4	#3	#2	#1	#0
3001	4001	4001				SSDIRC				

SSDIRC Indicates the mounting direction of spindle sensor.
 0 : Rotates the spindle and spindle sensor in the same direction.
 1 : Rotates the spindle and spindle sensor in the reverse direction.

15i	16i	30i	#7	#6	#5	#4	#3	#2	#1	#0
3002	4002	4002					SSTYP3	SSTYP2	SSTYP1	SSTYP0

SSTYP3 to SSTYP0 Spindle sensor type
 This parameter sets the type of a separate detector to be attached to the spindle (detector to be connected to connector JYA3 or JYA4).

SSTYP3	SSTYP2	SSTYP1	SSTYP0	Spindle sensor type
0	0	0	0	None (No position control function is used.)
0	0	0	1	Uses the motor sensor for position feedback
0	0	1	0	α i position coder
0	0	1	1	Separate α iBZ sensor, α iCZ sensor (analog)
0	1	0	0	α position coder S
0	1	1	0	Separate α iCZ sensor (serial)

NOTE

- When using a rectangular wave phase A/B, 1024-p/rev position coder, set the same settings as for the α i position coder (0,0,1,0).
- It is not possible to use the α iCZ sensor (serial) as both motor sensor and spindle sensor.

15i	16i	30i	#7	#6	#5	#4	#3	#2	#1	#0
3003	4003	4003	PCPL2	PCPL1	PCPL0	PCTYPE				

PCPL2, PCPL1, PCPL0, PCTYPE Gear teeth number setting of the spindle sensor
 This parameter sets the number of teeth of a separate detector to be attached to the spindle (detector to be connected to connector JYA3 or JYA4).

PCPL2	PCPL1	PCPL0	PCTYPE	Gear teeth number of the spindle sensor
0	0	0	0	256 λ /rev
0	0	0	1	128 λ /rev
0	1	0	0	512 λ /rev
0	1	0	1	64 λ /rev
1	0	0	0	768 λ /rev
1	0	0	1	1024 λ /rev
1	1	0	0	384 λ /rev

NOTE

- 1 Set "0, 0, 0, 0" when using an α i position coder (bits 3, 2, 1, 0 of No. 4002 = 0, 0, 1, 0) or an α i position coder S (bits 3, 2, 1, 0 of No. 4002 = 0, 1, 0, 0).
- 2 When the motor sensor is used for position feedback (bits 3, 2, 1, 0 of No. 4002 = 0, 0, 0, 1), this parameter need not be set.

15i 16i 30i
 3004 4004 4004

#7	#6	#5	#4	#3	#2	#1	#0
				RFTYPE	EXTRF		

EXTRF, RFTYPE

External one-rotation signal setting

This parameter sets the type of an external one-rotation signal (proximity) switch to be attached to the spindle (to be connected to connector JYA3).

RFTYPE	EXTRF	External one-rotation signal (proximity switch)
0	0	None
0	1	Detects the leading edge.
1	1	Detects the trailing edge.

15i 16i 30i
 3006 4006 4006

#7	#6	#5	#4	#3	#2	#1	#0
						GRUNIT	

GRUNIT

Sets a gear ratio setting resolution:

- 0 : 1/100 unit
- 1 : 1/1000 unit

Select a gear ratio data setting resolution from the following:

- (a) Resolution based on motor rotation increased by a factor of 100 relative to one spindle rotation
- (b) Resolution based on motor rotation increased by a factor of 1000 relative to one spindle rotation

Depending on the setting of this parameter, the increment system of the parameters indicated in the table below changes.

Parameter No.			Description
15i	16i	30i	
3056 to 3059	4056 to 4059	4056 to 4059	Spindle-to-motor gear ratio data

NOTE
 Usually, use the 1/100 unit (setting "0").

15i 16i 30i
 3007 4007 4007

#7	#6	#5	#4	#3	#2	#1	#0
	PCALCH	PCLS					

PCLS Determines feedback signal disconnection detection.
 0 : Performs disconnection detection.
 1 : Does not perform disconnection detection.
 When this bit is set to "0", spindle alarms 27 (Position coder signal disconnection), 73 (Motor sensor disconnection), and 84 (Spindle sensor disconnection) are checked.

NOTE

- 1 Usually, set "0".
- 2 When adjusting the waveform of a motor/spindle sensor feedback signal, set "1" temporarily to disable disconnection detection. **After completion of adjustment, be sure to return the setting to "0" to enable disconnection detection.**
- 3 If dual check safety function is enabled, this parameter is invalid and disconnection detection is performed.
- 4 Set it to "0" when using the α iCZ sensor (serial). Setting it to "1" results in a spindle state error (error 43).

PCALCH Determines whether to use alarms related to position feedback signals (on non-Cs contouring control mode).
 0 : Detects alarms.
 1 : Does not detect alarms.
 When this bit is set to "0", spindle alarms 41, 42, 47, 81, 82, 83, 85, 86, and 87 are checked.

NOTE
 Set it to "0" when using the α iCZ sensor (serial).
 Setting it to "1" results in a spindle state error (error 43).

15i	16i	30i	#7	#6	#5	#4	#3	#2	#1	#0
3010	4010	4010						MSTYP2	MSTYP1	MSTYP0

MSTYP2, MSTYP1, MSTYP0

Motor sensor type

This parameter sets the type of a detector built into the motor (detector to be connected to JYA2 or JYA3).

MSTYP2	MSTYP1	MSTYP0	Motor sensor type
0	0	0	α iM sensor
0	0	1	α iMZ sensor, α iBZ sensor, α iCZ sensor (analog)
0	1	1	α iCZ sensor (serial)

NOTE

- 1 It is not possible to use the α iCZ sensor (serial) as both motor sensor and spindle sensor.
- 2 If the α iCZ sensor (serial) is used as the motor sensor, it is not possible to use the following:
 - α i position coder
 - External one-rotation signal (proximity switch)

15i	16i	30i	#7	#6	#5	#4	#3	#2	#1	#0
3011	4011	4011						VDT3	VDT2	VDT1

VDT1 to VDT3

Gear teeth number setting of the motor sensor

This parameter sets the number of teeth of a detector built into the motor (detector to be connected to JYA2 or JYA3).

VDT3	VDT2	VDT1	Gear teeth number of the motor sensor
0	0	0	64 λ /rev
0	0	1	128 λ /rev
0	1	0	256 λ /rev
0	1	1	512 λ /rev
1	0	0	192 λ /rev
1	0	1	384 λ /rev

NOTE

When using a sensor with α iCZ sensor (analog, serial) 768 λ /rev or 1024 λ /rev, set 0,0,0 in this parameter, and set 768 or 1024 in the parameter specifying an arbitrary number of motor sensor teeth (parameter No. 4334).

Motor models and corresponding αiM and αiMZ sensors

Motor model	Number of gear teeth of the detection ring on the αiM or αiMZ sensor
$\alpha iI0.5$	64 λ /rev
$\alpha iI1$ to $\alpha iI3$	128 λ /rev
$\alpha iI6$ to $\alpha iI50$ $\alpha iIP12$ to $\alpha iIP60$	256 λ /rev

WARNING
 If the gear tooth number setting of the motor sensor is not correct, the spindle motor may rotate at a high speed above the specified speed. Check the gear tooth number of the motor sensor and set it correctly.

15i 16i 30i
 3016 4016 4016

#7	#6	#5	#4	#3	#2	#1	#0
RFCHK3	RFCHK2	RFCHK1					

RFCHK1 Determines whether to detect alarms related to position feedback (in Cs contouring control mode).
 0 : Does not detect alarms.
 1 : Detects alarms.
 When this bit is set to "1", Spindle alarms 81, 82, 85, and 86 are checked.

NOTE
 Set it to "0" when using the αiCZ sensor (serial).
 Setting it to "1" results in a spindle state error (error 43).

RFCHK2 Determines whether to detect the alarm related to threading position detection signal feedback (spindle alarm 46).
 0 : Does not detect alarms.
 1 : Detects alarms.

NOTE
 Set it to "0" when using the αiCZ sensor (serial).
 Setting it to "1" results in a spindle state error (error 43).

RFCHK3 Setting of the function of detecting the one-rotation signal again each time position control mode is set.
 0 : The one-rotation signal is not detected each time the operating mode changes.
 Once the one-rotation signal has been detected, it is not detected again until the power goes off.
 1 : The one-rotation signal is detected each time the operating mode changes.

NOTE
 If the α iCZ sensor (serial) is used, this parameter is invalid.

	$15i$	$16i$	$30i$		#7	#6	#5	#4	#3	#2	#1	#0
	3394	4394	4394				A21DEN			ZPHDTC		

ZPHDTC Sets the detection lower limit of the one-rotation signal.
 0 : The one-rotation signal is detected when the spindle speed is 10 min^{-1} or more.
 1 : The one-rotation signal is detected regardless of the spindle speed.

NOTE

- 1 This parameter is valid with 9D50 series E (05) edition or later, 9D70 series A (01) edition or later, and 9D80 series A (01) edition or later.
- 2 This parameter is enabled when the spindle sensor is an α i position coder or α position coder S.
- 3 When the spindle sensor is the α iMZ/ α iBZ/ α iCZ sensor (analog), if the spindle speed is 10 min^{-1} or more, the one-rotation signal is detected regardless of the setting of this parameter.
- 4 When the spindle sensor is the α iCZ sensor (serial), the one-rotation signal is detected regardless of the setting of this parameter and the spindle speed.

A21DEN Whether to detect the spindle sensor polarity erroneous setting alarm (spindle alarm 21).
 0 : The spindle sensor polarity erroneous setting alarm is detected.
 1 : The spindle sensor polarity erroneous setting alarm is not detected.
 When the spindle sensor polarity erroneous setting alarm is incorrectly detected due to the following reasons, set this bit to disable the alarm detection.

- When the spindle is mechanically separated from the motor.
- When the belt between the spindle and the motor slips.

NOTE
 This parameter is valid with 9D50 series E (05) edition or later, 9D70 series A (01) edition or later, and 9D80 series A (01) edition or later.

15i	16i	30i
3056	4056	4056
3057	4057	4057
3058	4058	4058
3059	4059	4059

Gear ratio (HIGH)	CTH1A=0, CTH2A=0
Gear ratio (MEDIUM HIGH)	CTH1A=0, CTH2A=1
Gear ratio (MEDIUM LOW)	CTH1A=1, CTH2A=0
Gear ratio (LOW)	CTH1A=1, CTH2A=1

Unit of data : (Motor rotation for one rotation of spindle) / 100
(When parameter No. 4006 #1 (GRUNIT) is 1, motor rotation / 1000)

Valid data range : 0 to 32767

Standard setting : 100

These data are used to set the gear ratio between spindle and spindle motor.

Example :

When the spindle rotates once, set "250" as the data when the motor rotates 2.5 times.

A parameter is selected with the CTH1A and CTH2A input signals. Set the gear or clutch status to correspond to the clutch/gear signal (CTH1A, CTH2A).

NOTE

When an improper value is set in these parameters, an unexpected operation can occur. For example, the spindle can continue rotating without stopping at the time of orientation. So, be sure to set a proper gear ratio.

15i	16i	30i
3098	4098	4098

Maximum speed for position feedback signal detection

Unit of data : 1min^{-1} (Unit of 10min^{-1} when bit 2 (SPDUNT) of parameter No. 4006 = 1)

Valid data range : 0 to 32767

Standard setting : 0

This parameter sets a maximum spindle speed that enables the detection of a motor/spindle sensor feedback signal.

When "0" is set in this parameter, up to the maximum motor speed can be detected.

NOTE

- 1 Usually, set "0".
- 2 If the α iCZ sensor (serial) is used, this parameter is invalid.

15i	16i	30i
3171	4171	4171
3172	4172	4172
3173	4173	4173
3174	4174	4174

Denominator of arbitrary gear ratio between motor sensor and spindle (HIGH) CTH1A=0
Numerator of arbitrary gear ratio between motor sensor and spindle (HIGH) CTH1A=0
Denominator of arbitrary gear ratio between motor sensor and spindle (LOW) CTH1A=1
Numerator of arbitrary gear ratio between motor sensor and spindle (LOW) CTH1A=1

Unit of data :
Valid data range : 0 to 32767
Standard setting : 0

These parameters set conversion coefficients (numerator, denominator) for using the detection arbitrary gear ratio function (DMR function) by multiplying a motor sensor (αiM or αiMZ sensor) feedback signal by a gear ratio to produce a spindle position feedback signal.

When the spindle rotates Q times while the motor shaft rotates P times (there is no common divisor other than 1 for P and Q), settings are:

No. 4171 (No. 4173 when CTH1A = 1) = P

No. 4172 (No. 4174 when CTH1A = 1) = Q

When one of these parameters is set to "0", it is assumed to be "1".

NOTE

- 1 When using the external one-rotation signal (proximity switch), use the detection arbitrary gear ratio function (DMR function) by setting an arbitrary gear ratio between the motor sensor and spindle in this parameter.
- 2 If the αi CZ sensor (serial) is used, this parameter is invalid.

15i	16i	30i
3334	4334	4334

Arbitrary number of motor sensor teeth

Unit of data : 1 λ /rev (Number of motor sensor teeth)
Valid data range : 0, 32 to 4096
Standard setting : 0

When the number of motor sensor teeth is other than 64, 128, 192, 256, 384, and 512, set this parameter.

When "0" is set in this parameter, the setting of bits 2, 1, 0 (VDT3, VDT2, VDT1) of parameter No. 4011 is valid.

⚠ WARNING

If the gear tooth number setting of the motor sensor is not correct, the spindle motor may rotate at a high speed above the specified speed. Check the gear tooth number of the motor sensor and set it correctly.

15i	16i	30i
3355	4355	4355
3357	4357	4357

Motor sensor signal amplitude ratio compensation

Spindle sensor signal amplitude ratio compensation

Unit of data : 1%
 Valid data range : -8 to 8
 Standard setting : 0

These parameters set an amplitude ratio compensation value for the sensor feedback signal (phase A/B of the sinusoidal wave).
 For details, refer to Section 4.3, "AMPLITUDE RATIO/PHASE DIFFERENCE COMPENSATION FUNCTION" in Part I.

NOTE

If the αi CZ sensor (serial) is used, this parameter is invalid.

15i	16i	30i
3356	4356	4356
3358	4358	4358

Motor sensor signal phase difference compensation
--

Spindle sensor signal phase difference compensation
--

Unit of data : 1%
 Valid data range : -4 to 4
 Standard setting : 0

These parameters set a phase difference compensation value for the sensor signal (phase A/B of the sinusoidal wave).
 For details, refer to Section 4.3, "AMPLITUDE RATIO/PHASE DIFFERENCE COMPENSATION FUNCTION" in Part I.

NOTE

If the αi CZ sensor (serial) is used, this parameter is invalid.

15i	16i	30i
3361	4361	4361

Arbitrary number of spindle sensor teeth

Unit of data : 1 λ /rev (Number of spindle sensor teeth)
 Valid data range : 0, 64 to 4096
 Standard setting : 0

When the number of spindle sensor teeth is other than 64, 128, 256, 384, 512, and 1024 set this parameter.
 When "0" is set in this parameter, the setting of bits 7, 6, 5, 4 (PCPL2, PCPL1, PCPL0, PCTYPE) of parameter No. 4003 is valid.

15i	16i
3500	4500
3501	4501
3502	4502
3503	4503

Denominator of arbitrary gear ratio between spindle sensor and spindle (HIGH)	CTH1A=0
Numerator of arbitrary gear ratio between spindle sensor and spindle (HIGH)	CTH1A=0
Denominator of arbitrary gear ratio between spindle sensor and spindle (LOW)	CTH1A=1
Numerator of arbitrary gear ratio between spindle sensor and spindle (LOW)	CTH1A=1

Unit of data :
Valid data range : 0 to 32767
Standard setting : 0

These parameters set conversion coefficients (numerator, denominator) for using the detection arbitrary gear ratio function (DMR function) by multiplying a spindle sensor (αi position coder, α position coder S, separate αi BZ sensor, or separate αi CZ sensor (analog)) feedback signal by a gear ratio to produce a spindle position feedback signal.

When the spindle rotates Q times while the motor shaft rotates P times (there is no common divisor other than 1 for P and Q), settings are:

No. 4500 (No. 4502 when CTH1A = 1) = P

No. 4501 (No. 4503 when CTH1A = 1) = Q

When one of these parameters is set to "0", it is assumed to be "1".

NOTE

- 1 This parameter is valid with 9D50 series F (06) edition or later, 9D70 series A (01) edition or later, and 9D80 series A (01) edition or later..
- 2 When this parameter is used in a configuration having no external one-rotation signal (proximity switch), set the following parameters.
No.4007#6=1 : Alarms related to positional feedback signals (in non-Cs mode) are not detected.
No.4016#5=0 : Alarms related to positional feedback signals (in Cs mode) are not detected.
- 3 If the αi CZ sensor (serial) is used, this parameter is invalid.

1.3.3 Typical Detector Configurations

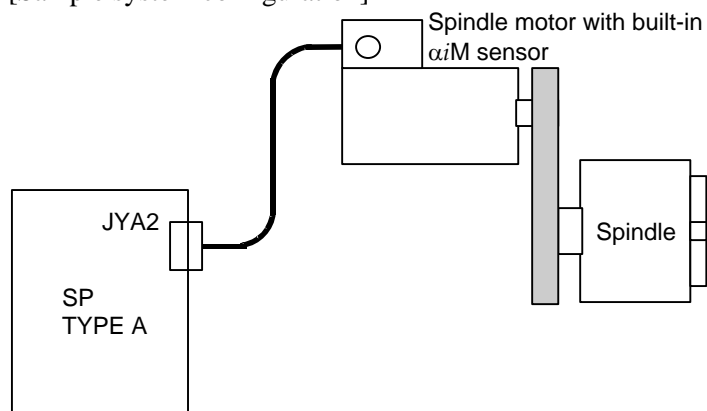
This subsection describes typical detector configurations and the parameter setting procedures for the detector configurations.

With the *αi* series spindle, the detector circuitry hardware is set according to the parameter setting. For this reason, an alarm such as a disconnection alarm may be output while parameters related to detectors are being set.

To initialize the hardware, after setting the parameters related to detectors, turn the power to the amplifier off once.

(1) When position control is not exercised

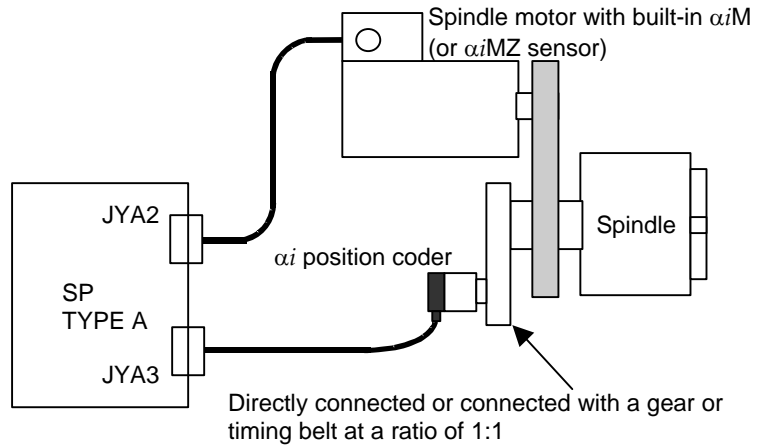
[Sample system configuration]



Parameter No.	Settings	Description
4002 #3,2,1,0	0,0,0,0	Does not exercise position control.
4010 #2,1,0	Depends on the detector.	Sets the type of motor sensor.
4011 #2,1,0	Depends on the detector.	Sets the number of motor sensor gear teeth.

(2) When the α i position coder is used

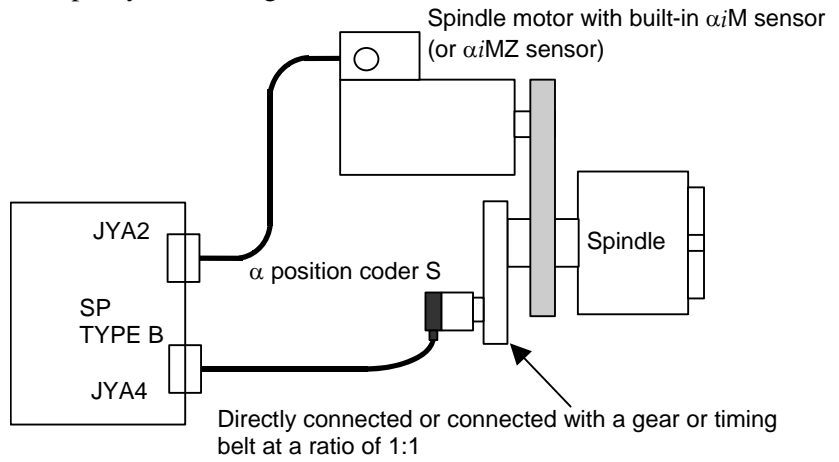
[Sample system configuration]



Parameter No.	Settings	Description
4000 #0	Depends on the configuration.	Rotation directions of the spindle and motor
4001 #4	Depends on the configuration.	Spindle sensor mounting direction
4002 #3,2,1,0	0,0,1,0	Uses the α i position coder as the spindle sensor.
4003 #7,6,5,4	0,0,0,0	Sets the number of spindle sensor gear teeth.
4010 #2,1,0	Depends on the detector.	Sets the type of motor sensor.
4011 #2,1,0	Depends on the detector.	Sets the number of motor sensor gear teeth.
4056 to 4059	Depends on the configuration.	Gear ratio between the spindle and motor

(3) When the α position coder S is used

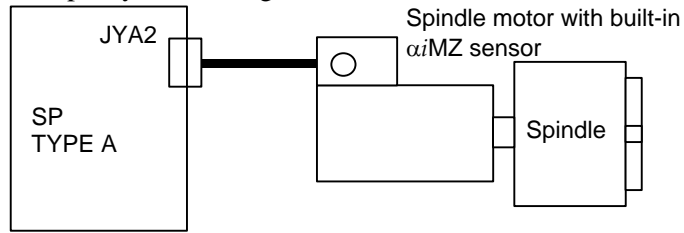
[Sample system configuration]



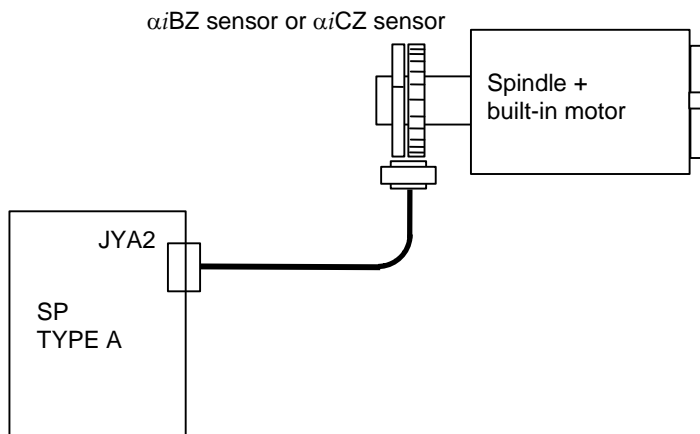
Parameter No.	Settings	Description
4000 #0	Depends on the configuration.	Rotation directions of the spindle and motor
4001 #4	Depends on the configuration.	Spindle sensor mounting direction
4002 #3,2,1,0	0,1,0,0	Uses the α position coder S as the spindle sensor.
4003 #7,6,5,4	0,0,0,0	Sets the number of spindle sensor gear teeth.
4010 #2,1,0	Depends on the detector.	Sets the type of motor sensor.
4011 #2,1,0	Depends on the detector.	Sets the number of motor sensor gear teeth.
4056 to 4059	Depends on the configuration.	Gear ratio between the spindle and motor

(4) When the α iMZ, α iBZ, or α iCZ sensor (analog) is used

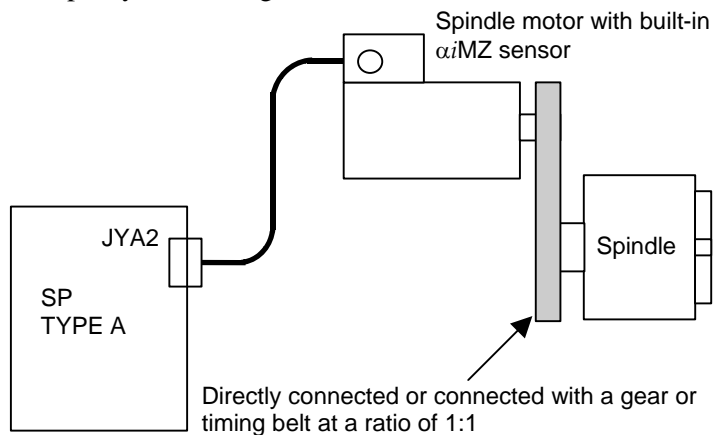
[Sample system configuration 1]



[Sample system configuration 2]



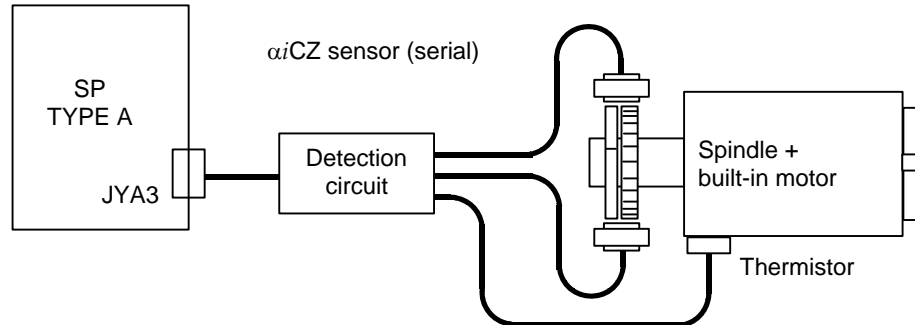
[Sample system configuration 3]



Parameter No.	Settings	Description
4000 #0	0	Rotation directions of the spindle and motor
4002 #3,2,1,0	0,0,0,1	Uses the motor sensor for position feedback.
4010 #2,1,0	0,0,1	Uses the α iMZ , α iBZ, or α iCZ sensor (analog) as the motor sensor.
4011 #2,1,0	Depends on the detector.	Sets the number of motor sensor gear teeth.
4056 to 4059	100 or 1000	Gear ratio between the spindle and motor 1 : 1

(5) When the αi CZ sensor (serial) is used

[Sample system configuration]



Parameter No.	Settings	Description
4000 #0	0	Rotation directions of the spindle and motor
4002 #3,2,1,0	0,0,0,1	Uses the motor sensor for position feedback.
4007 #5	0	Feedback signal disconnection detection is enabled.
4007 #6	0	Alarms related to position feedback signals are enabled.
4010 #2,1,0	0,1,1	Uses the αi CZ sensor (serial) as the motor sensor.
4011 #2,1,0	Depends on the detector.	Sets the number of motor sensor gear teeth.(For 512 λ /rev)
4016 #5	1	Alarms related to position feedback signals are enabled.
4016 #6	1	Alarms related to threading position feedback signals are enabled.
4056~4059	100 or 1000	Gear ratio between the spindle and motor 1 : 1
4334	Depends on the detector.	Sets the number of motor sensor gear teeth.(For 768 λ /rev、1024 λ /rev)

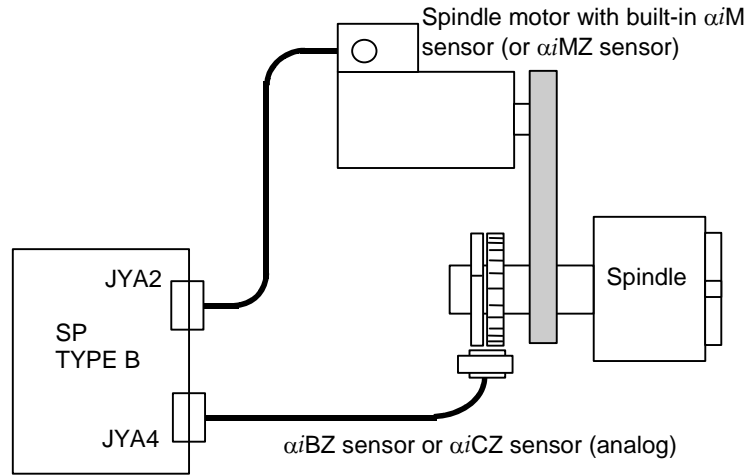
NOTE

When using the αi CZ sensor (serial), use spindle software of the following series and editions:

- If the teeth number is 512 λ or 1024 λ , 9D80/05 or later
- If the teeth number is 768 λ , 9D80/06 or later

(6) When the separate type α iBZ sensor or separate type α iCZ sensor (analog) is used

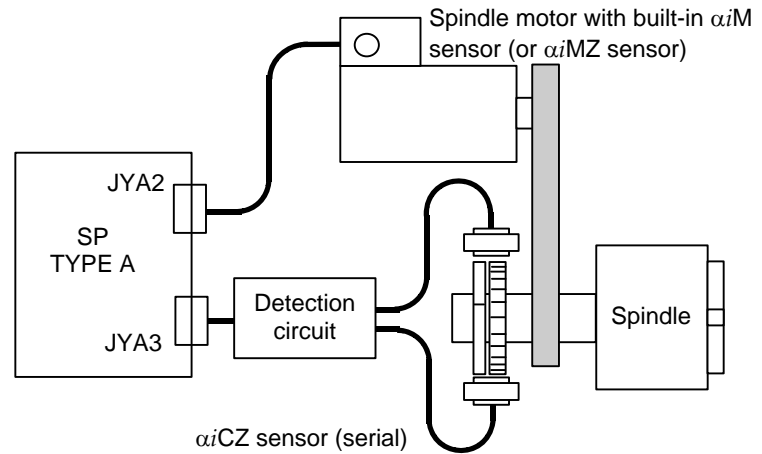
[Sample system configuration]



Parameter No.	Settings	Description
4000 #0	Depends on the configuration.	Rotation directions of the spindle and motor
4001 #4	Depends on the configuration.	Spindle sensor mounting direction
4002 #3,2,1,0	0,0,1,1	Uses the α iBZ sensor or α iCZ sensor (analog) as the spindle sensor.
4003 #7,6,5,4	Depends on the detector.	Sets the number of spindle sensor gear teeth.
4010 #2,1,0	Depends on the detector.	Sets the type of motor sensor.
4011 #2,1,0	Depends on the detector.	Sets the number of motor sensor gear teeth.
4056 to 4059	Depends on the configuration.	Gear ratio between the spindle and motor

(7) When the separate type αi CZ sensor (serial) is used

[Sample system configuration]



Parameter No.	Settings	Description
4000 #0	Depends on the configuration.	Rotation directions of the spindle and motor
4001 #4	Depends on the configuration.	Spindle sensor mounting direction
4002 #3,2,1,0	0,1,1,0	Uses the αi CZ sensor (sensor) as the spindle sensor.
4003 #7,6,5,4	Depends on the detector.	Sets the number of spindle sensor gear teeth.
4007 #5	0	Feedback signal disconnection detection is enabled.
4007 #6	0	Alarms related to position feedback signals are enabled.
4010 #2,1,0	Depends on the detector.	Sets the type of motor sensor.
4011 #2,1,0	Depends on the detector.	Sets the number of motor sensor gear teeth.
4016 #5	1	Alarms related to position feedback signals are enabled.
4016 #6	1	Alarms related to threading position feedback signals are enabled.
4056~4059	Depends on the configuration.	Gear ratio between the spindle and motor

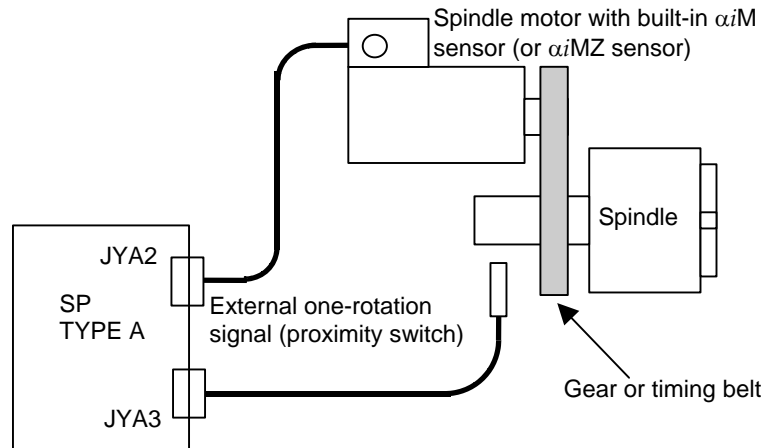
NOTE

When using the αi CZ sensor (serial), use spindle software of the following series and editions:

- If the teeth number is 512 λ or 1024 λ , 9D80/05 or later
- If the teeth number is 768 λ , 9D80/06 or later

(8) When the external one-rotation signal (proximity switch) is used

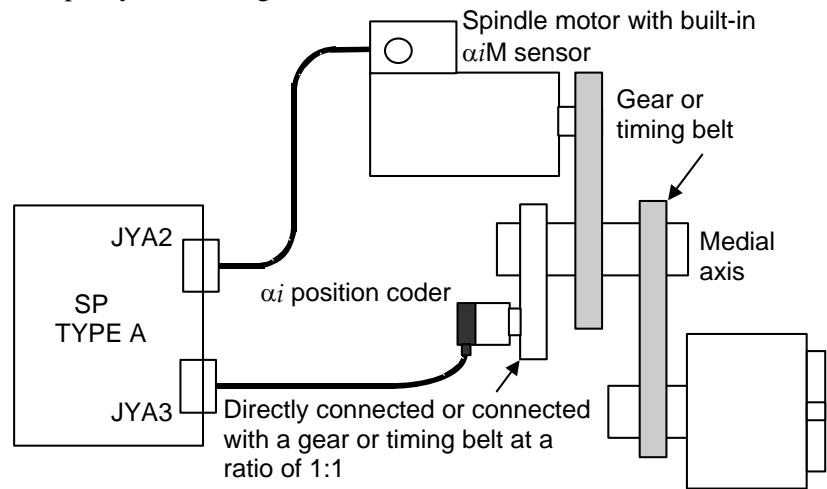
[Sample system configuration]



Parameter No.	Settings	Description
4000 #0	Depends on the configuration.	Rotation directions of the spindle and motor
4002 #3,2,1,0	0,0,0,1	Uses the motor sensor for position feedback.
4004 #2	1	Uses the external one-rotation signal.
4004 #3	Depends on the detector.	Sets the external one-rotation signal type.
4010 #2,1,0	Depends on the detector.	Sets the type of motor sensor.
4011 #2,1,0	Depends on the detector.	Sets the number of motor sensor gear teeth.
4056 to 4059	Depends on the configuration.	Gear ratio between the spindle and motor
4171 to 4174	Depends on the configuration.	Arbitrary gear ratio between the motor sensor and spindle

(9) When the axis on which the spindle sensor is mounted is not the spindle

[Sample system configuration]



Parameter No.	Settings	Description
4000 #0	Depends on the configuration.	Rotation directions of the spindle and motor
4001 #4	Depends on the configuration.	Spindle sensor mounting direction
4002 #3,2,1,0	Depends on the configuration.	Type of spindle sensor
4003 #7,6,5,4	Depends on the detector.	Sets the number of spindle sensor gear teeth.
4010 #2,1,0	0, 0, 0	Uses the $\alpha i M$ sensor as the motor sensor.
4011 #2,1,0	Depends on the detector.	Sets the number of motor sensor gear teeth.
4007 #6	1	Alarms related to positional feedback signals (in non-Cs mode) are not detected.
4016 #5	0	Alarms related to positional feedback signals (in Cs mode) are not detected.
4056 to 4059	Depends on the configuration.	Gear ratio between the spindle and motor
4500 to 4503	Depends on the configuration.	Arbitrary gear ratio between the spindle sensor and spindle

NOTE

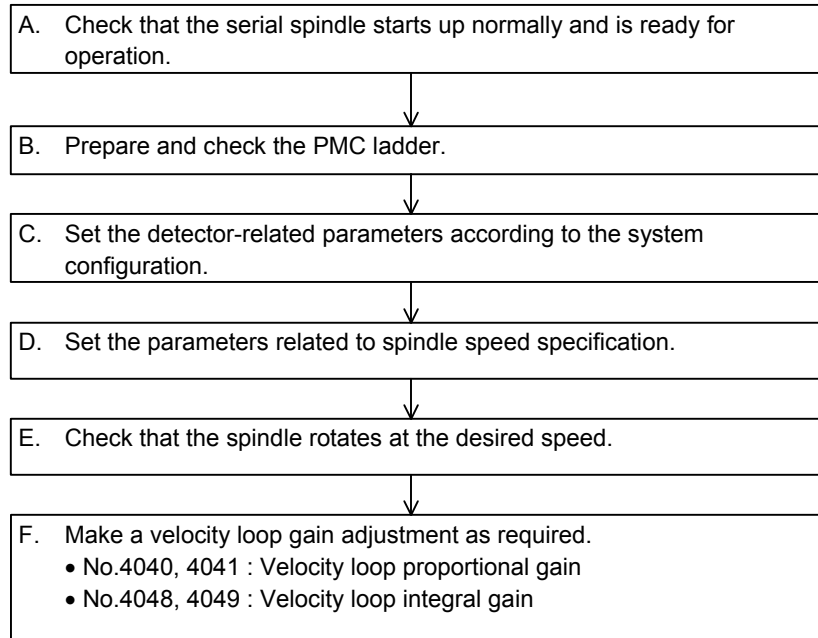
Those functions such as the orientation function that require a one-rotation signal cannot be used.

2

EXPLANATION OF OPERATION MODES

2.1 VELOCITY CONTROL MODE

2.1.1 Start-up Procedure



2.1.2 Overview

The velocity control mode is a function for exercising velocity control to rotate the spindle motor according to a velocity command from the CNC.

NOTE

On a CNC screen (such as the spindle monitor screen and the adjustment screen), the velocity control mode is indicated as “NORMAL OPERATION MODE”.

2.1.3 System Configuration

The velocity control mode is applicable to all detector configurations. For system configurations, see Subsection 1.3.3, “TYPICAL DETECTOR CONFIGURATIONS”.

2.1.4 List of I/O Signals (CNC↔PMC)

This Subsection provides a list of the I/O signals related to the velocity control mode only. For details of each signal, refer to the Connection Manual (Function) of each CNC.

- (a) For Series 16i/18i/21i
 “FANUC Series 16i/18i/21i-MODEL B
 CONNECTION MANUAL (FUNCTION) : B-63523EN-1
 Refer to Section 9.3, “SPINDLE SPEED CONTROL.”
- (b) For Series 30i/31i/32i
 “FANUC Series 30i/31i/32i-MODEL A
 CONNECTION MANUAL (FUNCTION) : B-63943EN-1
 Refer to Section 11.3, “SPINDLE SPEED CONTROL.”
- (c) For Series 15i
 “FANUC Series 15i-MODEL B
 CONNECTION MANUAL (FUNCTION) : B-63783EN-1
 Refer to Section 9.3, “SPINDLE SPEED CONTROL.”
- (d) For Series 0i
 “FANUC Series 0i-MODEL C
 CONNECTION MANUAL (FUNCTION) : B-64113EN-1
 Refer to Section 9.3, “SPINDLE SPEED CONTROL.”

For details of the I/O signals common to the CNCs, see Chapter 3, “I/O SIGNALS (CNC↔PMC)”, in Part I.

(1) Input signals(PMC→CNC)

(a) Series 16i

		#7	#6	#5	#4	#3	#2	#1	#0
Common to all axes	G027				*SSTP2 (*1)	*SSTP1 (*1)		SWS2 (*1)	SWS1 (*1)
Common to all axes	G028						GR2	GR1	
Common to all axes	G029		*SSTP	SOR	SAR				
Common to all axes	G030	SOV7	SOV6	SOV5	SOV4	SOV3	SOV2	SOV1	SOV0
1st-	G032	R08I	R07I	R06I	R05I	R04I	R03I	R02I	R01I
2nd-	G034	R08I2	R07I2	R06I2	R05I2	R04I2	R03I2	R02I2	R01I2
1st-	G033	SIND	SSIN	SGN		R12I	R11I	R10I	R09I
2nd-	G035	SIND2	SSIN2	SGN2		R12I2	R11I2	R10I2	R09I2

NOTE

*1 These signals are valid in multi-spindle control.

(b) Series 30i

		#7	#6	#5	#4	#3	#2	#1	#0
Common to all axes	G027				*SSTP2 (*1)	*SSTP1 (*1)		SWS2 (*1)	SWS1 (*1)
Common to all axes	G028						GR2	GR1	
Common to all axes	G029		*SSTP	SOR	SAR				
Common to all axes	G030	SOV7	SOV6	SOV5	SOV4	SOV3	SOV2	SOV1	SOV0

1st-	G032	R08I	R07I	R06I	R05I	R04I	R03I	R02I	R01I
2nd-	G034	R08I2	R07I2	R06I2	R05I2	R04I2	R03I2	R02I2	R01I2

1st-	G033	SIND	SSIN	SGN		R12I	R11I	R10I	R09I
2nd-	G035	SIND2	SSIN2	SGN2		R12I2	R11I2	R10I2	R09I2

NOTE

*1 These signals are valid in multi-spindle control.

(c) Series 15i

		#7	#6	#5	#4	#3	#2	#1	#0
Common to all axes	G005							FIN	

1st-	G024	RI7A	RI6A	RI5A	RI4A	RI3A	RI2A	RI1A	RI0A
2nd-	G232	RI7B	RI6B	RI5B	RI4B	RI3B	RI2B	RI1B	RI0B

1st-	G025	RISGNA			RI12A	RI11A	RI10A	RI9A	RI8A
2nd-	G233	RISGNB			RI12B	RI11B	RI10B	RI9B	RI8B

1st-	G026		GS4A	GS2A	GS1A				
2nd-	G272		GS4B	GS2B	GS1B				

(d) Common to CNCs

	15i	16i	30i	#7	#6	#5	#4	#3	#2	#1	#0
1st-	G227	G070	G070	MRDYA		SFRA	SRVA	CTH1A	CTH2A	TLMHA	TLMLA
2nd-	G235	G074	G074	MRDYB		SFRB	SRVB	CTH1B	CTH2B	TLMHB	TLMLB

1st-	G226	G071	G071				SOCNA			*ESPA	
2nd-	G234	G075	G075				SOCNB			*ESPB	

1st-	G229	G072	G072				OVRA				
2nd-	G237	G076	G076				OVRB				

(2) Output signals (CNC→PMC)

(a) Series 16i

	#7	#6	#5	#4	#3	#2	#1	#0
F001				ENB				
F007						SF		
F022	S07	S06	S05	S04	S03	S02	S01	S00
F023	S15	S14	S13	S12	S11	S10	S09	S08
F024	S23	S22	S21	S20	S19	S18	S17	S16
F025	S31	S30	S29	S28	S27	S26	S25	S24
F034						GR30 (*1)	GR20 (*1)	GR10 (*1)
F036	R08O	R07O	R06O	R05O	R04O	R03O	R02O	R01O
F037					R12O	R11O	R10O	R09O

NOTE

*1 These signals are valid with the M series only.

(b) Series 16i

	#7	#6	#5	#4	#3	#2	#1	#0
F001				ENB				
F007						SF		
F022	S07	S06	S05	S04	S03	S02	S01	S00
F023	S15	S14	S13	S12	S11	S10	S09	S08
F024	S23	S22	S21	S20	S19	S18	S17	S16
F025	S31	S30	S29	S28	S27	S26	S25	S24
F034						GR30 (*1)	GR20 (*1)	GR10 (*1)
F036	R08O	R07O	R06O	R05O	R04O	R03O	R02O	R01O
F037					R12O	R11O	R10O	R09O

NOTE

*1 These signals are valid with the M series only.

(b) Series 15i

		#7	#6	#5	#4	#3	#2	#1	#0
Common to all axes	F008							SF	
Common to all axes	F020	S7	S6	S5	S4	S3	S2	S1	S0
Common to all axes	F021	S15	S14	S13	S12	S11	S10	S09	S08
Common to all axes	F022	S23	S22	S21	S20	S19	S18	S17	S16
Common to all axes	F023	S31	S30	S29	S28	S27	S26	S25	S24
Common to all axes	F045			SRSRDY					
1st-	F010	RO7A	RO6A	RO5A	RO4A	RO3A	RO2A	RO1A	RO0A
2nd-	F320	RO7B	RO6B	RO5B	RO4B	RO3B	RO2B	RO1B	RO0B
1st-	F11	RO15A	RO14A	RO13A	RO12A	RO11A	RO10A	RO9A	
2nd-	F321	RO15B	RO14B	RO13B	RO12B	RO11B	RO10B	RO9B	
1st-	F014	MR7A	MR6A	MR5A	MR4A	MR3A	MR2A	MR1A	MR0A
2nd-	F324	MR7B	MR6B	MR5B	MR4B	MR3B	MR2B	MR1B	MR0B
1st-	F015	MR15A	MR14A	MR13A	MR12A	MR11A	MR10A	MR9A	MR8A
2nd-	F325	MR15B	MR14B	MR13B	MR12B	MR11B	MR10B	MR9B	MR8B
1st-	F234	SSPD7A	SSPD6A	SSPD5A	SSPD4A	SSPD3A	SSPD2A	SSPD1A	SSPD0A
2nd-	F250	SSPD7B	SSPD6B	SSPD5B	SSPD4B	SSPD3B	SSPD2B	SSPD1B	SSPD0B
1st-	F235	SSPD15A	SSPD14A	SSPD13A	SSPD12A	SSPD11A	SSPD10A	SSPD9A	SSPD8A
2nd-	F251	SSPD15B	SSPD14B	SSPD13B	SSPD12B	SSPD11B	SSPD10B	SSPD9B	SSPD8B
1st-	F341								SRRDYA
2nd-	F342								SRRDYB

(c) Common to CNCs

		15i	16i	30i	#7	#6	#5	#4	#3	#2	#1	#0
1st-	F229	F045	F045			TLMA	LDT2A	LDT1A	SARA	SDTA	SSTA	
2nd-	F245	F049	F049			TLMB	LDT2B	LDT1B	SARB	SDTB	SSTB	

2.1.5 Related Parameters

Parameter No.			Description
15i	16i	30i	
—	3705#0	3705#0	Sets SF signal output and the S code for an S command.
—	3705#2	3705#2	Gear switch method (M series only)
—	3705#4	3705#4	Sets SF signal output and the S code for an S command (T series only).
—	3705#5	3705#5	Sets SF signal output when constant surface speed control is exercised and an S code is specified (M series only).
—	3705#6	3705#6	Sets SF signal output (M series only).
—	3706#4	3706#4	Spindle gear selection method (M series only)
—	3706#7,6	3706#7,6	Spindle speed command polarity (valid when input signal SSIN = 0)
—	3709#0	3709#0	Number of sampling operations at spindle speed calculation time (T series only for 16i)
—	3735	3735	Minimum clamp speed of the spindle motor (M series only)
—	3736	3736	Maximum clamp speed of the spindle motor (M series only)
—	3740	3740	Time until the spindle speed arrival signal is checked
—	3741	3741	Maximum spindle speed for gear 1
—	3742	3742	Maximum spindle speed for gear 2
—	3743	3743	Maximum spindle speed for gear 3
—	3744	3744	Maximum spindle speed for gear 4 (T series only)
—	3751	3751	Spindle motor speed at the switch point between gear 1 and gear 2 (M series only)
—	3752	3752	Spindle motor speed at the switch point between gear 2 and gear 3 (M series only)
—	3772	3772	Maximum allowable spindle speed
2031	3031	3031	Allowable number of S code characters
2003#1	—	—	Sets an S code polarity.
2204#0	—	—	Sets the display of an actual spindle speed.
2402#6	—	—	Sets the S code specified in a block containing G92.
5602#3	—	—	Whether to provide an indication for an alarm detected with the spindle amplifier. (Set "0" usually.)
5611	—	—	Number of sampling operations when an average spindle speed is to be found.
5612	—	—	Unit of spindle speed output with the DO signal
5807#0	—	—	Enables/disables the spindle alarms (SPxxxx) of all spindles. (Set "0" usually.)
5842	—	3720	Number of position coder pulses
5847	—	3721	Number of gear teeth on the position coder side on velocity control (for feed per revolution, threading, etc.)
5848	—	3722	Number of gear teeth on the spindle side on velocity control (for feed per revolution, threading, etc.)
5850	—	—	Spindle number to be selected at power-on/reset time
5820#4	—	—	Sets the method of spindle speed calculation.
3006#5	4006#5	4006#5	Sets an analog override range.
3009#4	4009#4	4009#4	Whether to output the load detection signals (LDT1, LDT2) during acceleration/deceleration
3009#6	4009#6	4009#6	Analog override type
3012#7	4012#7	4012#7	Sets the spindle HRV function. (Set "1".)
5607#0	4019#7	4019#7	Automatic spindle parameter setting function
3352#1	4352#1	4352#1	Sets the peak hold function for load meter output.
3020	4020	4020	Maximum motor speed
3022	4022	4022	Speed arrival detection level

Parameter No.			Description
15i	16i	30i	
3023	4023	4023	Speed detection level
3024	4024	4024	Speed zero detection level
3025	4025	4025	Torque limitation value
3026	4026	4026	Load detection level 1
3027	4027	4027	Load detection level 2
3028	4028	4028	Output limitation pattern
3029	4029	4029	Output limitation value
3030	4030	4030	Soft start/stop setting time
3040	4040	4040	Velocity loop proportional gain on the velocity control mode
3041	4041	4041	(A parameter is selected by the PMC input signal CTH1A.)
3048	4048	4048	Velocity loop integral gain on the velocity control mode
3049	4049	4049	(A parameter is selected by the PMC input signal CTH1A.)
3056 to 3059	4056 to 4059	4056 to 4059	Spindle and motor gear ratio data (A parameter is selected by the PMC input signals CTH1A and CTH2A.)
3081	4081	4081	Delay time until the motor power is turned off
3082	4082	4082	Acceleration/deceleration time
3083	4083	4083	Motor voltage on the velocity control mode
3136	4136	4136	Motor voltage on the velocity control mode (for low-speed characteristics)
3171	4171	4171	Denominator of an arbitrary gear ratio between the motor sensor and spindle
3173	4173	4173	(A parameter is selected by the input signal CTH1A.)
3172	4172	4172	Numerator of an arbitrary gear ratio between the motor sensor and spindle
3174	4174	4174	(A parameter is selected by the input signal CTH1A.)
3399#2	4399#2	4399#2	Specifies whether to enable the soft start/stop function when emergency stop operation is performed.
3508	4508	4508	Rate of change in acceleration at soft start/stop

NOTE

- 1 For the detector-related parameters, see Section 1.3, "PARAMETERS RELATED TO DETECTORS", in Part I.
- 2 For velocity loop proportional/integral gain adjustment, see Section 4.1, "VELOCITY LOOP GAIN ADJUSTMENT", in Part I.

2.1.6 Details of Related Parameters

This Subsection details the serial spindle parameters (in the four thousands for 16*i*, and in the four thousands for 30*i*, and in the three thousands for 15*i*) among the parameters related to the velocity control mode. For details of other parameters, refer to the Connection Manual (Function) of each CNC.

- (a) For Series 16*i*/18*i*/21*i*
 “FANUC Series 16*i*/18*i*/21*i*-MODEL B
 CONNECTION MANUAL (FUNCTION) : B-63523EN-1
 Refer to Section 9.3, “SPINDLE SPEED CONTROL.”
- (b) For Series 30*i*/31*i*/32*i*
 “FANUC Series 30*i*/31*i*/32*i*-MODEL A
 CONNECTION MANUAL (FUNCTION) : B-63943EN-1
 Refer to Section 11.3, “SPINDLE SPEED CONTROL.”
- (c) For Series 15*i*
 “FANUC Series 15*i*-MODEL B
 CONNECTION MANUAL (FUNCTION) : B-63783EN-1
 Refer to Section 9.3, “SPINDLE SPEED CONTROL.”
- (d) For Series 0*i*
 “FANUC Series 0*i*-MODEL C
 CONNECTION MANUAL (FUNCTION) : B-64113EN-1
 Refer to Section 9.3, “SPINDLE SPEED CONTROL.”

15 <i>i</i>	16 <i>i</i>	30 <i>i</i>	#7	#6	#5	#4	#3	#2	#1	#0
3006	4006	4006			ALGOVR					

ALGOVR Sets a spindle analog override range.
 0 : 0 to 100% (standard setting value)
 1 : 0 to 120%

15 <i>i</i>	16 <i>i</i>	30 <i>i</i>	#7	#6	#5	#4	#3	#2	#1	#0
3009	4009	4009		OVRTYP		LDTOUT				

LDTOUT Whether to output the load detection signals (LDT1 and LDT2) during acceleration/deceleration
 0 : Not output during acceleration/deceleration. (standard setting value)
 1 : Output (at all times) during acceleration/deceleration if the parameter-set level is exceeded.

OVRTYP Analog override type
 0 : Override of linear function type (standard setting value)
 1 : Override of quadratic function type

15i	16i	#7	#6	#5	#4	#3	#2	#1	#0
3012	4012	SPHRV							

SPHRV Sets the spindle HRV control function.
 0 : Disables spindle HRV control.
 1 : Enables spindle HRV control. (standard setting value)
 Set to “1”.

NOTE
 The control method usable with the α i series spindle is spindle HRV control only. The conventional control method is not supported.

16i	30i	#7	#6	#5	#4	#3	#2	#1	#0
4019	4019	PRLOAD							

PRLOAD Automatic parameter setting function
 0 : Does not perform automatic parameter setting. (standard setting value)
 1 : Performs automatic parameter setting.
 After setting a desired motor model code in parameter No. 4133 and setting this bit to 1, turn off the power to the CNC, then turn on the power to the CNC again. The parameters (No. 4000 to No. 4175) for the α i series spindle corresponding to the model code are automatically initialized. Upon completion of automatic setting, this bit is automatically set to 0.

NOTE
 With FS15i, the parameter address of this function is different, namely, bit 0 of No. 5607 is used.
 Moreover, note that the meanings of settings are reversed as follows.
 0 : Performs automatic parameter setting.
 1 : Does not perform automatic parameter setting.
 In this case, set a model code in parameter No. 3133.

15i	16i	30i	#7	#6	#5	#4	#3	#2	#1	#0
3352	4352	4352							PKHALW	

PKHALW Sets the peak hold function for load meter output.
 0 : Does not use the peak hold function. (standard setting value)
 1 : Uses the peak hold function.

15i 16i 30i
3020 4020 4020

Maximum motor speed

Unit of data : 1min⁻¹ (Unit of 10 min⁻¹ when bit 2 (SPDUNT) of parameter No. 4006 = 1)
Valid data range : 0 to 32767
Standard setting value : Depends on the motor model.
This parameter sets a maximum spindle motor speed.

⚠ WARNING

The spindle motor may rotate at the maximum spindle motor speed specified by this parameter. Therefore, this parameter must not be set to a value greater than the maximum rotation speed indicated by the specification of the spindle motor.

15i 16i 30i
3022 4022 4022

Speed arrival detection level

Unit of data : 0.1%
Valid data range : 0 to 1000
Standard setting value : 150
This parameter sets a speed arrival signal (SARA) detection range. When the motor speed reaches within $\pm(\text{setting data}/10)\%$ of a specified speed, the speed arrival signal (SARA) is set to 1.

15i 16i 30i
3023 4023 4023

Speed detection level

Unit of data : 0.1%
Valid data range : 0 to 1000
Standard setting value : 30
This parameter sets a speed detection signal (SDTA) detection range. When the motor speed is $(\text{setting data}/10)\%$ of a maximum speed or less, the speed detection signal (SDTA) is set to 1.

15i 16i 30i
3024 4024 4024

Speed zero detection level

Unit of data : 0.01%
Valid data range : 0 to 10000
Standard setting value : 75
This parameter sets a speed zero detection signal (SSTA) detection range. When the motor speed is $(\text{setting data}/100)\%$ of a maximum speed or less, the speed zero detection signal (SSTA) is set to 1.

15i 16i 30i
3025 4025 4025

Torque limitation value

Unit of data : 1%
Valid data range : 0 to 100
Standard setting value : 50

This parameter sets a torque limitation value to be applied when the torque limitation command HIGH (TLMHA) or the torque limitation command LOW (TLMLA) is specified.
The data indicates limitation values when the maximum torque is 100%.

Torque limitation command LOW(TLMLA)	Torque limitation command HIGH(TLMHA)	Description
0	0	No torque limitation is imposed.
0	1	The torque is limited to the value set in this parameter.
1	0	The torque is limited to a half of the value set in this parameter.
1	1	

15i 16i 30i
3026 4026 4026

Load detection level 1

Unit of data : 1%
Valid data range : 0 to 100
Standard setting value : 83

This parameter sets a load detection signal 1 (LDT1A) detection range.
When the output of the spindle motor is (setting data)% of the maximum output or more, load detection signal 1 (LDT1A) is set to 1.

15i 16i 30i
3027 4027 4027

Load detection level 2

Unit of data : 1%
Valid data range : 0 to 100
Standard setting value : 95

This parameter sets a load detection signal 2 (LDT2A) detection range.
When the output of the spindle motor is (setting data)% of the maximum output or more, load detection signal 2 (LDT2A) is set to 1.

15i 16i 30i
 3028 4028 4028

Output limitation pattern

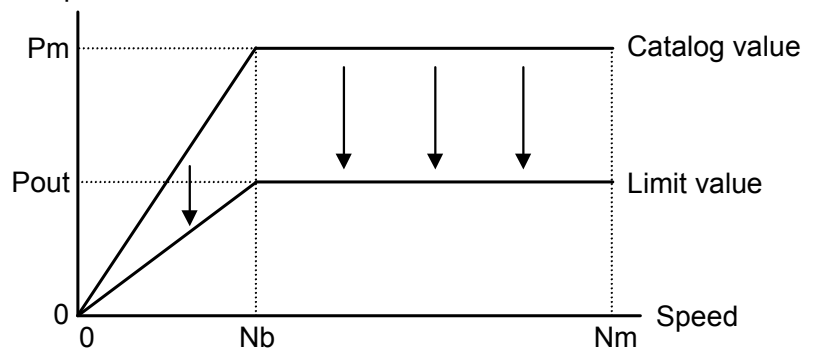
Unit of data :
 Valid data range : 0 to 9
 Standard setting value : 0

Select an appropriate pattern from the following:

- A : Output is limited only at acceleration time and deceleration time for gradual acceleration/deceleration, and the rated output is used for steady-state rotation. (Setting data: 1, 4, or 7)
 (Function similar to soft start/stop)
- B : Maximum output is used at acceleration time and deceleration time, and output is limited in steady-state rotation. (Setting data: 2, 5, or 8)
- C : Using the same motor and amplifier, a machine with a different output specification is produced. (Setting data: 3, 6, or 9)

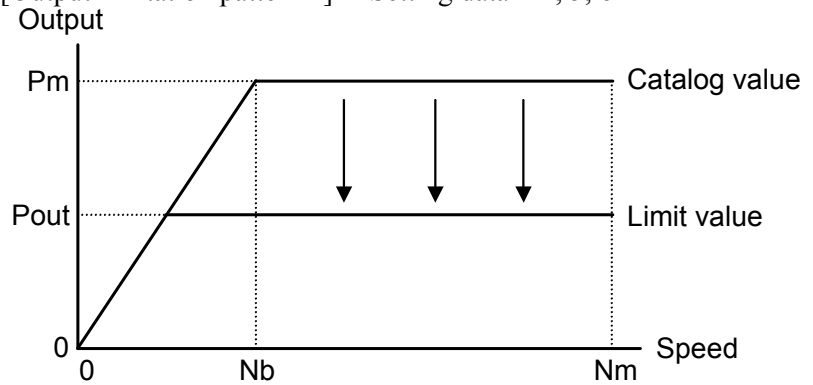
Description	Setting data		
	Pattern 1	Pattern 2	Pattern 3
No output limitation is imposed.	0	0	0
A. Output is limited only at acceleration time and deceleration time.	1	4	7
B. Output is not limited at acceleration time and deceleration time, but output is limited in steady-state rotation.	2	5	8
C. Output is limited in all operations.	3	6	9

[Output limitation pattern 1]--- Setting data = 1, 2, 3 ---
 Output



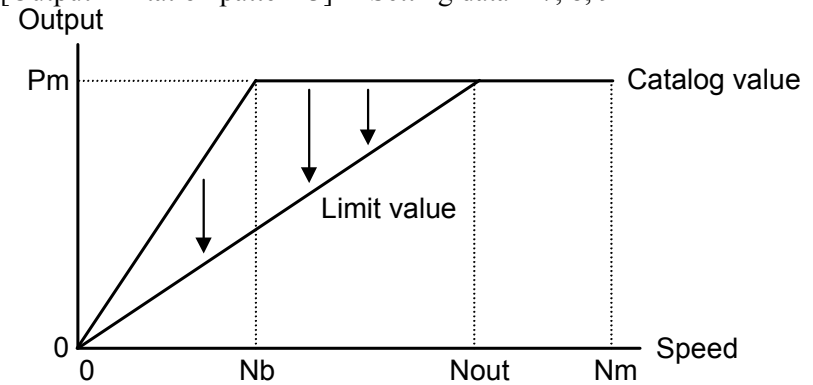
$$P_{out} = \frac{\text{Setting in parameter No. 4029}}{100} \times P_m$$

[Output limitation pattern 2]--- Setting data = 4, 5, 6 ---



$$P_{out} = \frac{\text{Setting in parameter No. 4029}}{100} \times P_m$$

[Output limitation pattern 3]--- Setting data = 7, 8, 9 ---



$$N_{out} = \frac{100}{\text{Setting in parameter No. 4029}} \times N_b$$

15i	16i	30i
3029	4029	4029

Output limitation value

Unit of data : 1%
Valid data range : 0 to 100
Standard setting value : 100

This parameter sets a desired limitation value, with the maximum output (overload tolerance) being 100%.

This setting becomes valid when output is limited by setting parameter No. 4028.

15i 16i 30i
3030 4030 4030

Soft start/stop setting time

Unit of data : 1min⁻¹/sec (Unit of 10min⁻¹/sec when bit 2 (SPDUNT) of parameter No. 4006 = 1)
 Valid data range : 0 to 32767
 Standard setting value : 0
 This parameter sets an acceleration value (speed change rate) when the soft start/stop function is enabled (when the soft start/stop signal SOCNA = 1).

NOTE

When 0 is set, the soft start/stop function is disabled.
--

15i 16i 30i
3040 4040 4040
3041 4041 4041

Velocity loop proportional gain on velocity control mode (HIGH)	CTH1A=0
Velocity loop proportional gain on velocity control mode (LOW)	CTH1A=1

Unit of data :
 Valid data range : 0 to 32767
 Standard setting : 10

This data is used to set the velocity loop proportional gain on velocity control mode.
 When the input signal CTH1A = 0, (HIGH) is selected. When the input signal CTH1A = 1, (LOW) is selected.

15i 16i 30i
3048 4048 4048
3049 4049 4049

Velocity loop integral gain on velocity control mode (HIGH)	CTH1A=0
Velocity loop integral gain on velocity control mode (LOW)	CTH1A=1

Unit of data :
 Valid data range : 0 to 32767
 Standard setting : 10

This data is used to set the velocity loop integral gain on velocity control mode.
 When the input signal CTH1A = 0, (HIGH) is selected. When the input signal CTH1A = 1, (LOW) is selected.

15i 16i 30i
3056 4056 4056
3057 4057 4057
3058 4058 4058
3059 4059 4059

Gear ratio (HIGH)	CTH1A=0, CTH2A=0
Gear ratio (MEDIUM HIGH)	CTH1A=0, CTH2A=1
Gear ratio (MEDIUM LOW)	CTH1A=1, CTH2A=0
Gear ratio (LOW)	CTH1A=1, CTH2A=1

Unit of data : (Motor rotation for one rotation of spindle) / 100
(When parameter No. 4006 #1 (GRUNIT) is 1, motor rotation / 1000)
Valid data range : 0 to 32767
Standard setting : 100

These data are used to set the gear ratio between spindle and spindle motor.

Example :

When the spindle rotates once, set “250” as the data when the motor rotates 2.5 times.

A parameter is selected with the CTH1A and CTH2A input signals. Set the gear or clutch status to correspond to the clutch/gear signal (CTH1A, CTH2A).

NOTE

When an improper value is set in these parameters, an unexpected operation can occur. For example, the spindle can continue rotating without stopping at the time of orientation. So, be sure to set a proper gear ratio.

15i 16i 30i
3081 4081 4081

Delay time until the motor power is turned off

Unit of data : 10ms
Valid data range : 0 to 1000
Standard setting value : 20 (200ms)

This parameter sets a period of time from the stop of the motor (detection of the speed zero detection signal SSTA set to 1) until the power to the motor is turned off if the SFR/SRV signal is off.

NOTE

When a small value is set in this parameter, the motor can coast after the power to the motor is turned off.

15i 16i 30i
3082 4082 4082

Setting of acceleration/deceleration time

Unit of data : 1sec
Valid data range : 0 to 255
Standard setting value : 10

This parameter sets a period of time in which alarm detection is disabled by assuming that the spindle motor is being accelerated or decelerated even if the velocity error exceeds the velocity error excess alarm (spindle alarm 02) level after start of acceleration/deceleration on the velocity control mode.

In the velocity control mode, a step-by-step speed command is specified. So, the spindle motor cannot follow up the command immediately after start of acceleration/deceleration, and the velocity error exceeds the velocity error excess alarm level. This parameter is used to prevent the velocity error excess alarm (spindle alarm 02) from being detected incorrectly immediately after start of acceleration/deceleration.

NOTE
With a machine tool such as a lathe that has a large load inertia, the acceleration/deceleration time becomes longer. In such a case, set the value corresponding to the acceleration/deceleration time of the machine in this parameter.

15i 16i 30i
3083 4083 4083

3136 4136 4136

Motor voltage setting on velocity control mode
Motor voltage setting on velocity control mode (for low-speed characteristics)

Unit of data : 1%
Valid data range : 0 to 100
Standard setting : Depends on the motor model.

This parameter sets the motor voltage under the no-load condition in velocity control mode.

The motor voltage to be set depends the motor model, the most usual setting is 30.

If an abrupt application of a heavy load in the no-load condition lowers the motor speed, adjust this parameter to around 50 to 70 to improve the torque response characteristic.

Note that, however, setting a large value causes heating and large activation sound during no-load motor operation.

15i 16i 30i
 3171 4171 4171
 3172 4172 4172
 3173 4173 4173
 3174 4174 4174

Denominator of an arbitrary gear ratio between the motor sensor and spindle (HIGH)	CTH1A=0
Numerator of an arbitrary gear ratio between the motor sensor and spindle (HIGH)	CTH1A=0
Denominator of an arbitrary gear ratio between the motor sensor and spindle (LOW)	CTH1A=1
Numerator of an arbitrary gear ratio between the motor sensor and spindle (LOW)	CTH1A=1

Unit of data :
 Valid data range : 0 to 32767
 Standard setting value : 0

These parameters set conversion coefficients (numerator, denominator) for using the detection arbitrary gear ratio function (DMR function) by multiplying a motor sensor (αi M sensor) feedback signal by a gear ratio to produce a spindle position feedback signal. When the spindle rotates Q times while the motor shaft rotates P times (there is no common divisor other than 1 for P and Q), the settings are:

- No. 4171 (No. 4173 when CTH1A = 1) = P
- No. 4172 (No. 4173 when CTH1A = 1) = Q

When 0 is set in any of these parameters, the setting of 1 is assumed.

NOTE

- 1 When performing feed per revolution with the detection arbitrary gear ratio function (DMR function), set an arbitrary gear ratio between the motor sensor and spindle in this parameter.
- 2 Threading using the detection arbitrary gear ratio function (DMR function) is not supported.

15i 16i 30i
 3399 4399 4399

#7	#6	#5	#4	#3	#2	#1	#0
					SOSALW		

SOSALW Specifies whether to enable the soft start/stop function when emergency stop operation is performed.

- 0 : Disables the function when the emergency stop signal is set (*ESP = 0) or MRDY = 0. (Standard setting)
- 1 : Enables the function even when the emergency stop signal is set (*ESP = 0) or MRDY = 0.

NOTE

This parameter is valid with 9D50 series O (15) edition or later, 9D70 series F (06) edition or later, and 9D80 series A (01) edition or later.

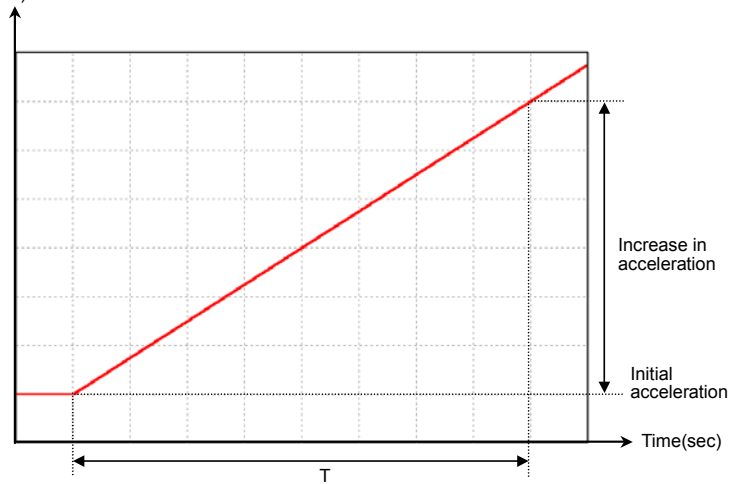
15i 16i 30i
3508 4508 4508

Rate of change in acceleration at soft start/stop

Unit of data : $10\text{min}^{-1}/\text{sec}^2$
Valid data range : 0 to 32767
Standard setting : 0

This parameter sets the jerk (the rate of change in acceleration) when the soft start/stop function is enabled (soft start/stop signal SOCNA = 1).

Acceleration in velocity command
($\text{min}^{-1}/\text{sec}$)



Starts changing velocity command issued from CNC at this point.

Increase in acceleration = $10 \times$ setting in parameter No. 4508 \times T
Initial acceleration = Setting in parameter No. 4030

NOTE

- 1 This parameter is valid with 9D50 series G (07) edition or later, 9D70 series A (01) edition or later, and 9D80 series A (01) edition or later..
- 2 If 0 is set, a liner type velocity command is observed when the soft start/stop function is enabled.

2.1.7 Troubleshooting

If the spindle motor does not operate normally, take an action by referencing the items listed below according to the state of trouble. For an action to be taken when an alarm is issued, refer to the maintenance manual.

State of trouble	
(i)	When the motor does not rotate
(ii)	When the motor does not rotate at a specified speed
(iii)	When the motor vibrates and makes an abnormal sound when rotating
(iv)	When an overshoot or hunting occurs
(v)	When the cutting capability is degraded
(vi)	When the acceleration/deceleration time is long

(i) When the motor does not rotate

- (1) Check the connections. (Refer to Descriptions.)
 - (a) Motor power line phase order
 - (b) Feedback signal cable connection
 - (c) DC link connection between the common power supply (PS) and spindle amplifier
- (2) Check the parameter settings.
 - (a) Parameter data for each motor model
 - (b) Detector-related parameter data (Refer to Subsection 1.3.2, “Details of Parameters for Detectors”, in Part I)
 - (c) Setting of a maximum motor speed

15i	16i	30i	Description
3020	4020	4020	Maximum motor speed

- (d) Parameters related to spindle speed specification
 - For Series 16i/18i/21i
 “FANUC Series 16i/18i/21i-MODEL B CONNECTION MANUAL (FUNCTION) : B-63523EN-1 Refer to Section 9.3, “SPINDLE SPEED CONTROL.”
 - For Series 30i/31i/32i
 “FANUC Series 30i/31i/32i-MODEL A CONNECTION MANUAL (FUNCTION) : B-63943EN-1 Refer to Section 11.3, “SPINDLE SPEED CONTROL.”
 - For Series 15i
 “FANUC Series 15i-MODEL B CONNECTION MANUAL (FUNCTION) : B-63783EN-1 Refer to Section 9.3, “SPINDLE SPEED CONTROL.”
 - For Series 0i
 “FANUC Series 0i-MODEL C CONNECTION MANUAL (FUNCTION) : B-64113EN-1 Refer to Section 9.3, “SPINDLE SPEED CONTROL.”

- (3) Check the input signals.
 - (a) Input signals for spindle control (PMC→CNC)

	15i	16i	30i	#7	#6	#5	#4	#3	#2	#1	#0
1st-	G227	G070	G070	MRDYA		SFRA	SRVA				
2nd-	G235	G074	G074	MRDYB		SFRB	SRVB				
1st-	G226	G071	G071							*ESPA	
2nd-	G234	G075	G075							*ESPB	

- (4) Check the feedback signal.
 - (a) Feedback signal level (Refer to Maintenance Manual.)
 - (b) Shielding and grounding (Refer to Descriptions.)

(ii) When the motor does not rotate at a specified speed

- (1) Check the connections. (Refer to Descriptions.)
 - (a) Motor power line connection
 - (b) Feedback signal cable connection point
- (2) Check the parameter settings.
 - (a) Parameter data for each motor model
 - (b) Detector-related parameter data (Refer to Subsection 1.3.2, “Details of Parameters for Detectors”, in Part I)
 - (c) Setting of a maximum motor speed

15i	16i	30i	Description
3020	4020	4020	Maximum motor speed

- (d) Parameters related to spindle speed specification
 - For Series 16i/18i/21i
“FANUC Series 16i/18i/21i-MODEL B CONNECTION MANUAL (FUNCTION) : B-63523EN-1 Refer to Section 9.3, “SPINDLE SPEED CONTROL.”
 - For Series 30i/31i/32i
“FANUC Series 30i/31i/32i-MODEL A CONNECTION MANUAL (FUNCTION) : B-63943EN-1 Refer to Section 11.3, “SPINDLE SPEED CONTROL.”
 - For Series 15i
“FANUC Series 15i-MODEL B CONNECTION MANUAL (FUNCTION) : B-63783EN-1 Refer to Section 9.3, “SPINDLE SPEED CONTROL.”
 - For Series 0i
“FANUC Series 0i-MODEL C CONNECTION MANUAL (FUNCTION) : B-64113EN-1 Refer to Section 9.3, “SPINDLE SPEED CONTROL.”
- (3) Check the feedback signal.
 - (a) Feedback signal level (Refer to Maintenance Manual.)
 - (b) Shielding and grounding (Refer to Descriptions.)

(iii) When the motor vibrates and makes an abnormal sound when rotating

- (1) Check the feedback signal.
 - (a) Feedback signal level (Refer to Maintenance Manual.)
 - (b) Shielding and grounding (Refer to Descriptions.)
- (2) Check the parameter settings.
The velocity loop gain may be too large. Adjust the following parameters:

15i	16i	30i	Description	Setting data
3040	4040	4040	Velocity loop proportional gain (HIGH)	Decrease the setting values.
3041	4041	4041	Velocity loop proportional gain (LOW)	
3048	4048	4048	Velocity loop integral gain (HIGH)	
3049	4049	4049	Velocity loop integral gain (LOW)	

- (3) Make a comparison with the case of motor coasting.
If vibration and sound produced when the motor coasts are extremely smaller than those produced when the motor is driven, the control circuit is faulty. If sound produced remains unchanged, the motor or the machine may be faulty. If the feedback signal cable from the motor is disconnected during motor rotation, an alarm is issued, and the motor coasts. Before performing the coasting of the motor, consult with the machine tool builder for confirmation. Depending on the sequence, the brake may be applied.

(iv) When an overshoot or hunting occurs

- (1) Check the parameter settings.
 - (a) The velocity loop gain may be too large. Adjust the following parameters:

15i	16i	30i	Description	Setting data
3040	4040	4040	Velocity loop proportional gain (HIGH)	Decrease the setting values.
3041	4041	4041	Velocity loop proportional gain (LOW)	
3048	4048	4048	Velocity loop integral gain (HIGH)	
3049	4049	4049	Velocity loop integral gain (LOW)	

(v) When the cutting capability is degraded

- (1) Check the parameter settings.
 - (a) Parameter data for each motor model
 - (b) Output limitation pattern and output limitation value

15i	16i	30i	Description
3028	4028	4028	Output limitation pattern
3029	4029	4029	Output limitation value

- (2) Check the input signals.
 - (a) Torque limitation commands (TLMH, TLML)

	15i	16i	30i	#7	#6	#5	#4	#3	#2	#1	#0
1st-	G227	G070	G070							TLMHA	TLMLA
2nd-	G235	G074	G074							TLMHB	TLMLB

- (3) Check the machine.
 - (a) Belt tension, and so forth

(vi) When the acceleration/deceleration time is long

- (1) Check the parameter settings.
 - (a) Parameter data for each motor model
 - (b) Output limitation pattern and output limitation value

15i	16i	30i	Description
3028	4028	4028	Output limitation pattern
3029	4029	4029	Output limitation value

- (c) Regenerative power limitation (Check if the same value as in the parameter table for each motor model is set.)

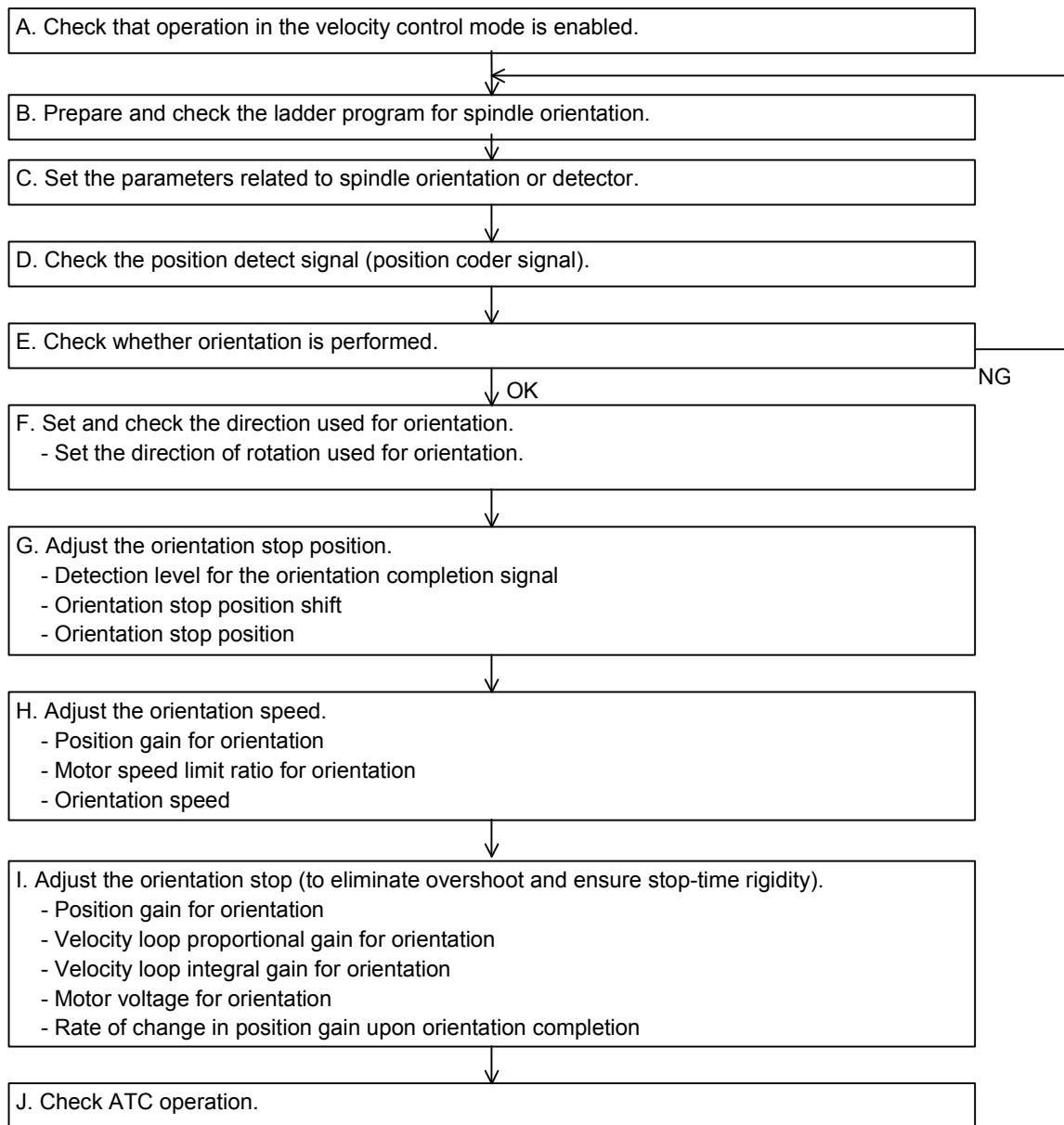
15i	16i	30i	Description
3080	4080	4080	Regenerative power limitation
3166	4166	4166	Regenerative power limitation (for low-speed characteristics)

- (2) Check the input signals.
 - (a) Torque limitation commands (TLMH, TLML)

	15i	16i	30i	#7	#6	#5	#4	#3	#2	#1	#0
1st-	G227	G070	G070							TLMHA	TLMLA
2nd-	G235	G074	G074							TLMHB	TLMLB

2.2 POSITION CODER METHOD SPINDLE ORIENTATION (OPTIMUM ORIENTATION)(OPTIONAL FUNCTION)

2.2.1 Start-up Procedure



2.2.2 Overview

Unlike a function for stopping the spindle at a predetermined position mechanically, for example, by using a stopper, the spindle orientation function stops the spindle at a predetermined position by directly reading the position feedback signal from a position detector attached to the spindle of the machine.

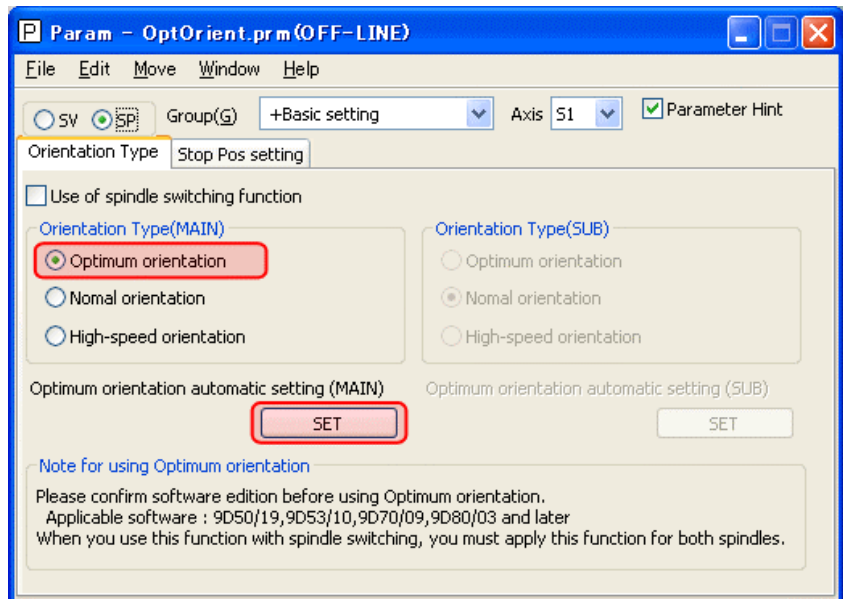
Furthermore, by applying the optimum orientation function, the spindle acceleration command is automatically optimized. This is expected to reduce the positioning time required by conventional method orientation. It is, therefore, recommended to apply the optimum orientation function.

NOTE

- *1 To use this function, the CNC software option is required.
- *2 For an explanation of the changes that must be made to parameters to migrate from conventional method orientation to optimum orientation, see Subsection 2.2.3, "Migration from Conventional Method Orientation to Optimum Orientation", in Part I.
- *3 Optimum orientation function can be used with 9D50 series S (19) edition, 9D70 series I (09) edition, and 9D80 series C(03) edition or later.
- *4 For an explanation of conventional method orientation, see Section 5.4, "CONVENTIONAL METHOD ORIENTATION", in Part I.
- *5 If using the output switching function together, do not change the motor winding during spindle orientation (input signal: ORCMA = 1).
- *6 If using the spindle switching function together, use this function on both MAIN and SUB sides.

2.2.3 Transition from Conventional Method Orientation to Optimum Orientation

Open the parameter window of the SERVO GUIDE, and select "SP"->"Orientation"->"Basic setting"->"Orientation Type". For Orientation Type, select "Optimum orientation" and click the automatic setting button.



NOTE

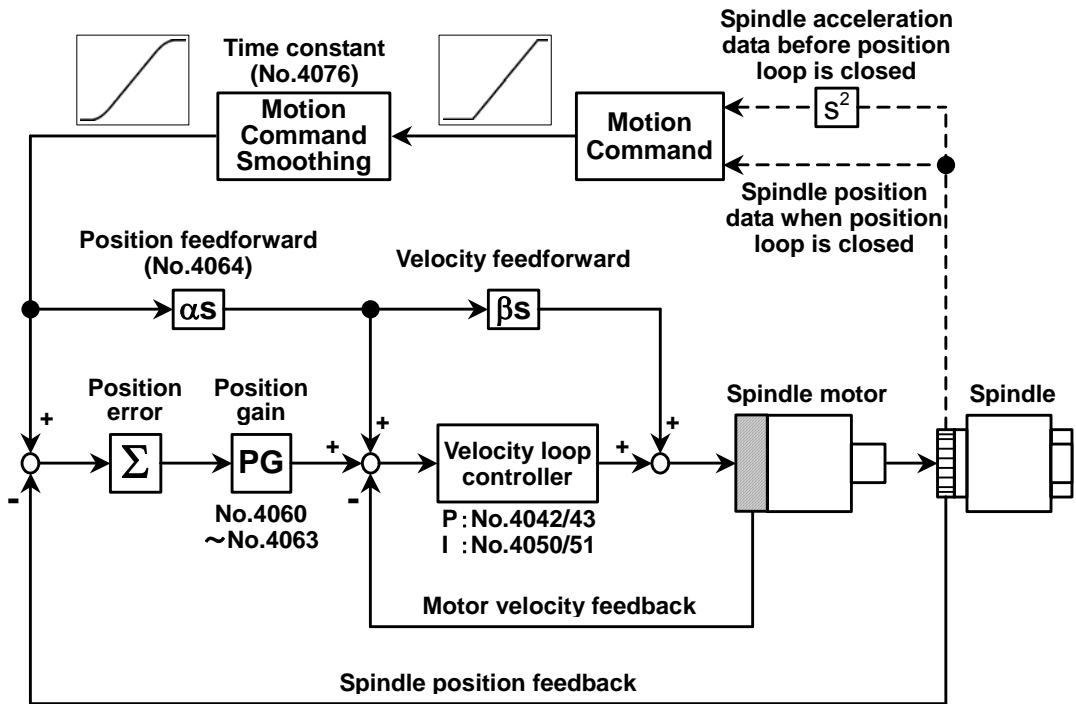
- *1 Usually, this operation alone successfully performs the migration. If adjustment is necessary, see Subsection 2.2.13, "Tuning Procedure".
- *2 When the external one-rotation signal (proximity switch) is used, select **"SP"->"Orientation"->"Optimum orientation"** and set the one-rotation signal detection speed (50 to 100 min⁻¹) according to the sensor specifications.
- *3 If setting parameters from the "SYSTEM>parameter screen" of the CNC, see Subsection 2.2.13, "Tuning Procedure".
- *4 Optimum orientation parameter setting using the parameter window can be used with the SERVO GUIDE Ver5.00 or later.

2.2.4 Feature

- (1) Elimination of a mechanical section used for stopping at a predetermined position
Only a position detector needs to be connected to the spindle. A mechanical section (such as a stopper and pin) used to mechanically stop the spindle at a predetermined position for spindle orientation is unnecessary.
- (2) Reduction in orientation time
A spindle motor attached to the spindle is used. So, orientation is enabled directly at high speed, independently of gear shifting, thus resulting in a remarkable reduction in orientation time.
Furthermore, by applying the optimum orientation function, the spindle acceleration command is automatically optimized, which can reduce the positioning time required by conventional method orientation.
- (3) Simplified power magnetic sequence
The required sequence consists of only a command for stopping at a predetermined position, completion signal, and clutch/gear signal. No other signals are required. Sequences for an orientation speed command and torque limitation command are unnecessary.
- (4) Reliability
This function is based on a purely electric method. So, an external shock does not damage the mechanical section, thus improving reliability.
- (5) High precision and high rigidity
The precision and rigidity of the spindle stopping at a predetermined position are sufficiently high for tool change operation (ATC).
- (6) Workpiece positioning
On a lathe, a workpiece can be positioned to align the workpiece attachment/detachment direction.
- (7) Reduction in the number of processes in boring
When a boring process ends, the workpiece can be positioned in the same direction as the direction of spindle rotation. So, the workpiece is not damaged by the tool tip.
Moreover, the tool tip can be attached or detached in a constant direction relative to the workpiece, so that a program can be created easily.

2.2.5 Block Diagram

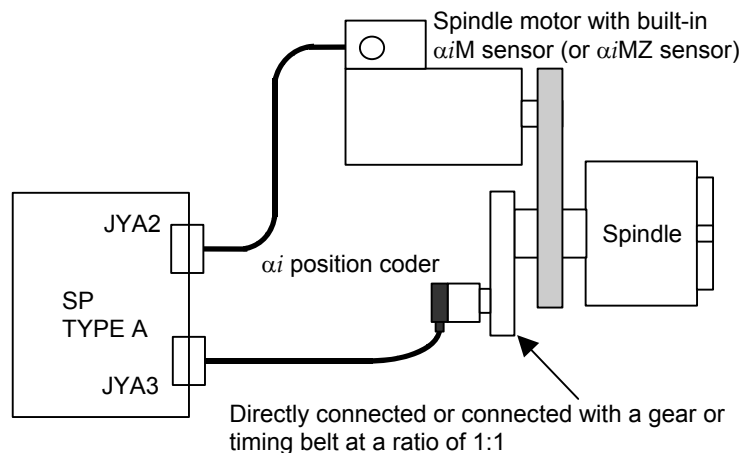
A block diagram of optimum orientation is shown below. The spindle amplifier detects the spindle acceleration after spindle orientation is specified by the time position loop is closed. The spindle acceleration command (= the slope of motion command) is automatically optimized based on this detected value.



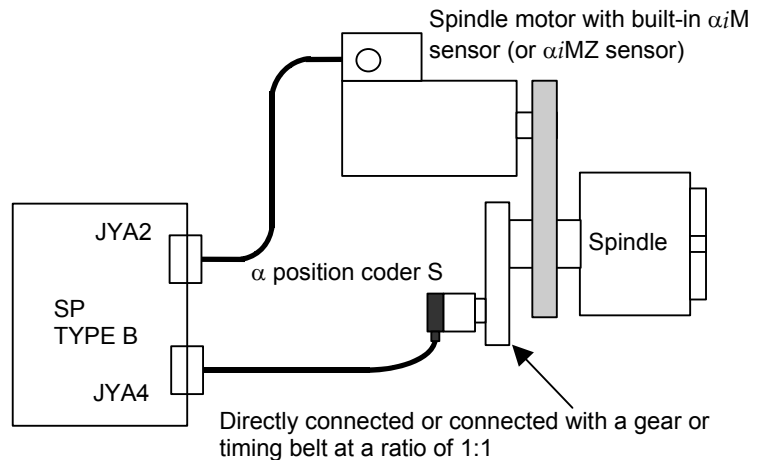
2.2.6 System Configuration

The system configurations that enable the use of the position coder method orientation (optimum orientation) function are shown below.

(1) When the αi position coder is used

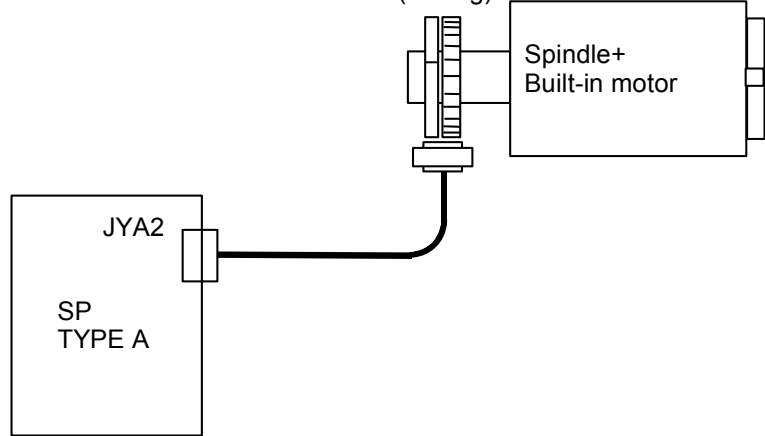


(2) When the αi position coder S is used

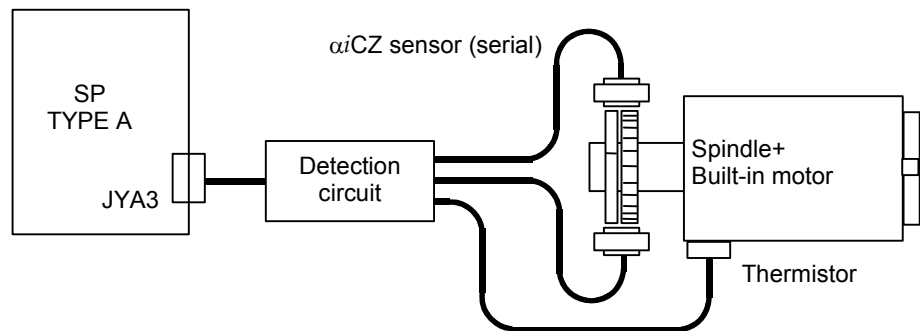


(3) When the built-in motor (αiBZ sensor, αiCZ sensor (analog)) is used

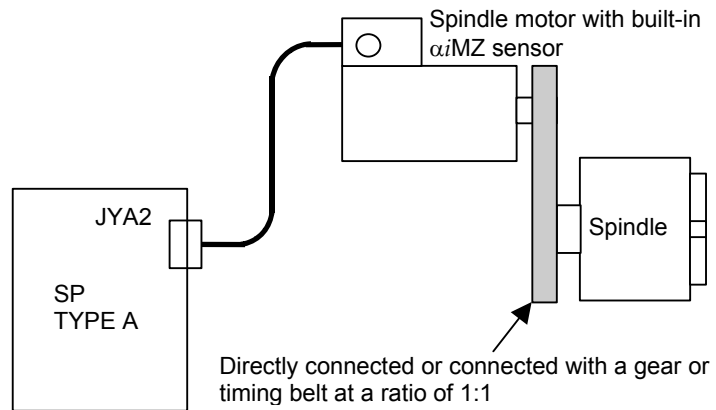
αiBZ sensor or αiCZ sensor (analog)



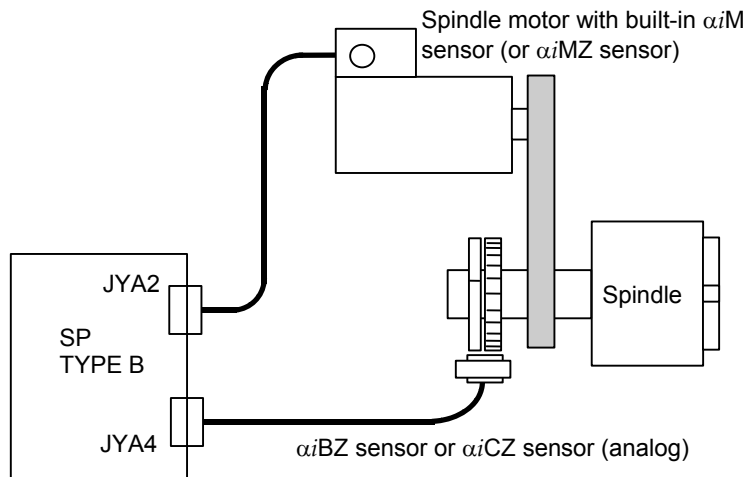
(4) When the built-in motor (αiCZ sensor (serial)) is used



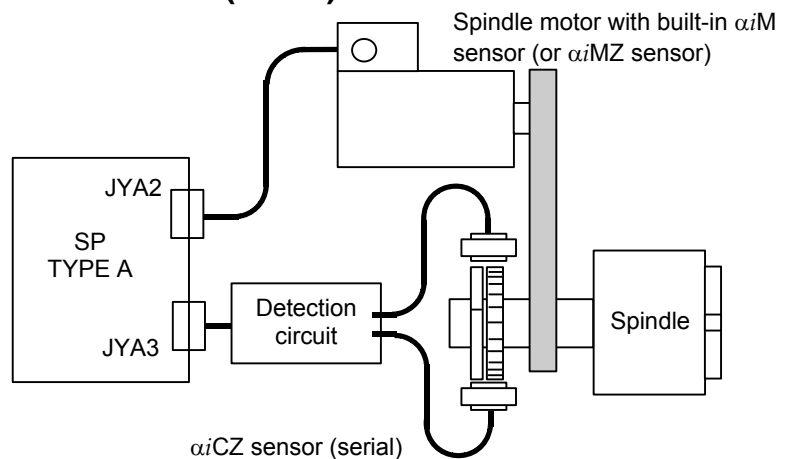
(5) When the spindle motor with built-in αi MZ sensor is used



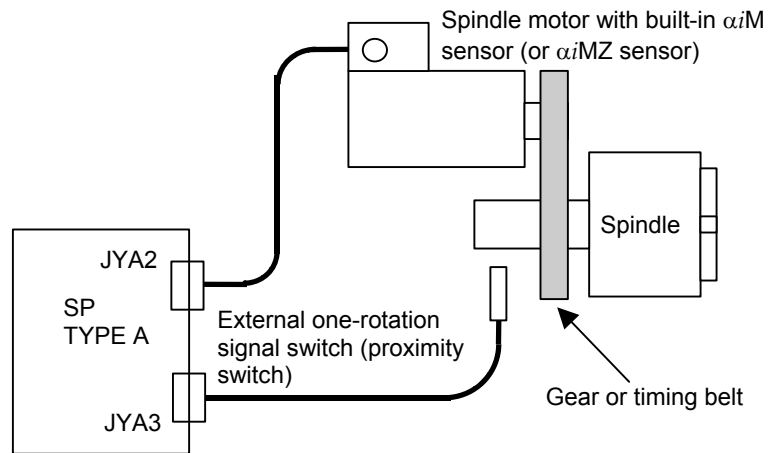
(6) When the separate type αi BZ sensor or the separate type αi CZ sensor (analog) is used



(7) When the separate type αi CZ sensor (serial) is used



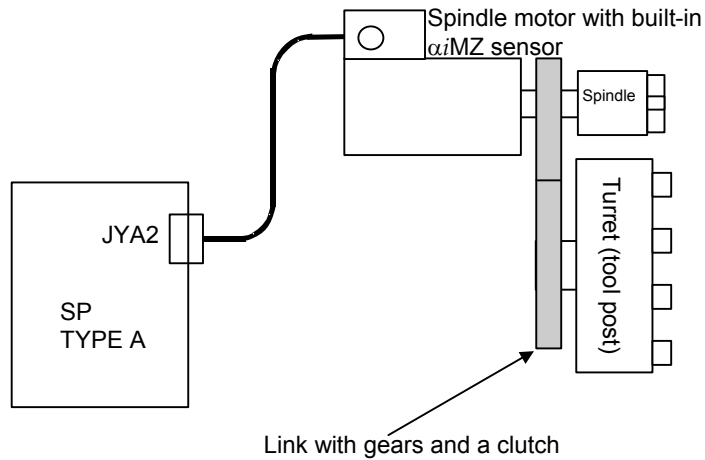
(8) When the external one-rotation signal (proximity switch) is used



NOTE

- 1 To detect the one-rotation signal securely, fix the direction (bits 3 and 2 of parameter No. 4003) in which the spindle rotates during spindle orientation to one direction.
- 2 Specify the type (bits 3 and 2 of parameter No. 4004) of an external one-rotation signal (proximity switch).
- 3 To detect the one-rotation signal securely, set the spindle orientation speed (parameter No. 4038) to a value between 50 and 100 min^{-1} according to the specification of the external one-rotation signal (proximity switch).
- 4 A sequence for detecting the one-rotation signal is started after the orientation speed has been reached.
- 5 Specify the denominator/numerator parameters (Nos. 4171 to 4174) of an arbitrary gear ratio between the motor sensor and spindle.

(9) System in which the turret and the motor with a built-in αi MZ sensor are linked with gears and a clutch (for turret indexing)



2.2.7 Stop Position Specification Method

Stop position specification method	Description
Parameter-based specification	Set the number of pulses (± 4095 pulses) from the one-rotation signal to a stop position ($360^\circ = 4096$ pulses).
External setting for stop position specification	Specify the number of pulses (0 to 4095 pulses) from the one-rotation signal to a stop position with a PMC signal ($360^\circ = 4096$ pulses). The sum of the number of pulses set in the parameter and the number of pulses specified with a PMC signal represents a final stop position.

2.2.8 I/O Signals (CNC \leftrightarrow PMC)

(1) Address list of input signals (PMC \rightarrow CNC)

	15 i	16 i	30 i	#7	#6	#5	#4	#3	#2	#1	#0
1st SP	G227	G070	G070		ORCMA			CTH1A	CTH2A		
2nd SP	G235	G074	G074		ORCMB			CTH1B	CTH2B		
1st SP	G229	G072	G072						NRROA	ROTAA	INDXA
2nd SP	G237	G076	G076						NRROB	ROTAB	INDXB
1st SP	G230	G078	G078	SHA07	SHA06	SHA05	SHA04	SHA03	SHA02	SHA01	SHA00
2nd SP	G238	G080	G080	SHB07	SHB06	SHB05	SHB04	SHB03	SHB02	SHB01	SHB00
1st SP	G231	G079	G079					SHA11	SHA10	SHA09	SHA08
2nd SP	G239	G081	G081					SHB11	SHB10	SHB09	SHB08

(2) Details of input signals (PMC→CNC)

(a) Orientation command (ORCMA)

- (i) This signal is used to stop the spindle at a predetermined position in order to change the tool or attach or detach a workpiece.
- (ii) If this signal is set to 1, the spindle, when rotating, is immediately decelerated to stop at a predetermined position.
- (iii) If an orientation command is issued for safety, set the forward/reverse spindle rotation command (SFRA/SRVA) and the speed command to 0. With these settings, the spindle does not start rotation even if ORCMA is set to 0 during tool change operation.
- (iv) Set this signal to 0 with the tool change completion signal or the workpiece attachment/detachment completion signal.
- (v) At power-on time, be sure to set the orientation command signal to 0.
- (vi) If an alarm is issued or an emergency stop operation is performed during orientation, ensure that the orientation command signal is reset (to 0). At power-on time, return the ATC arm to a safe position so that the arm and associated equipment are not damaged when the spindle and tool rotate.

CAUTION
 Do not change status of following signals during spindle orientation command is active (i.e. ORCMA=1)
 CTH1A, CTH2A: Clutch / gear signals
 RSLA: Output switching request signal

(b) Clutch/gear signals (CTH1A, CTH2A)

- (i) These signals are used to select spindle control parameters (position gain, gear ratio, and velocity loop gain) when there are two or more gear change stages between the spindle and spindle motor.
- (ii) Make settings as indicated in the table below according to the state of the clutch or gear. The names such as HIGH GEAR are given for convenience, and the correspondence to the actual gears is free.

CTH1A	CTH2A	
0	0	HIGH GEAR
0	1	MEDIUM HIGH GEAR
1	0	MEDIUM LOW GEAR
1	1	LOW GEAR

CAUTION
 Do not change status of following signals during spindle orientation command is active (i.e. ORCMA=1)
 CTH1A, CTH2A: Clutch / gear signals

(c) Spindle orientation stop position change command (INDXA)

- (i) This signal is used to change to another orientation position after a spindle orientation operation is performed by stop position external setting type orientation.
 This signal is valid when the spindle orientation command (ORCMA) = 1.
- (ii) When this signal makes a transition from 1 to 0, the spindle is oriented to the position (arbitrary position in one rotation: absolute position command) specified by new stop position data (SHA11 to 00) within one rotation.
- (iii) The direction of orientation rotation is specified by the shortcut command (NRROA) and the rotation direction command (ROTAA).
- (iv) This function is valid when the CNC parameter for the stop position external setting type orientation function is set.

(d) Spindle orientation stop position change shortcut command (NRROA)

- (i) This signal is used for shortcut (within ± 180 degrees) positioning at the next stop position when a rotation direction is specified to change the orientation position after a spindle orientation operation.
- (ii) When this signal is set to 1, shortcut positioning is performed, regardless of the spindle orientation stop position change rotation direction command (ROTAA).

(e) Spindle orientation stop position change rotation direction command (ROTAA)

- (i) This signal is used to specify a rotation direction when the orientation position is successively changed to another orientation position after a spindle orientation operation.
 When this signal is set to 0, the spindle rotates CCW and stops.
 When this signal is set to 1, the spindle rotates CW and stops.
- (ii) This signal is valid when the spindle orientation stop position change shortcut command (NRROA) is set to 0.

(f) Spindle orientation external stop position command (SHA11 to SHA00)

- (i) With the stop position external setting type spindle orientation function, a stop position is set. A stop position is determined by the expression indicated below. This command specifies an absolute position during one rotation.

$$\text{Stop position (degrees)} = \frac{360}{4096} \times \sum_{i=0}^{11} (2^i \times P_i)$$

$P_i = 0$ when $SHA_i = 0$. $P_i = 1$ when $SHA_i = 1$.

- (ii) When the stop position external setting type spindle orientation function is used, the position coder method spindle orientation stop position setting parameter (No. 4031) is invalid.

(3) Address list of output signals (CNC→PMC)

	15i	16i	30i	#7	#6	#5	#4	#3	#2	#1	#0
1st SP	F229	F045	F045	ORARA							
2nd SP	F245	F049	F049	ORARB							

(4) Details of output signals (CNC→PMC)

(a) Spindle orientation completion signal (ORARA)

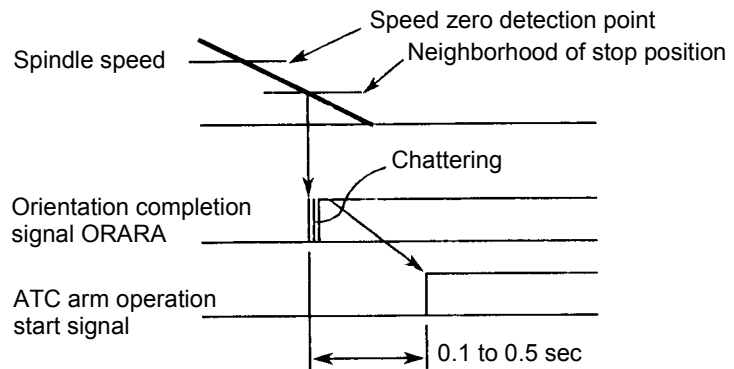
- (i) This signal is set to 1 when the spindle stops in the neighborhood of a predetermined position ($\pm 1^\circ$, for example) after an orientation command is input.

ORARA is set to 1 when the following three conditions are satisfied:

- ORCMA="1"
- SSTA(speed zero detection signal)="1"
- The spindle is in the neighborhood of a predetermined position.

The condition for the neighborhood of a predetermined position is set using parameter No. 4075 (orientation completion signal detection level). Only when all of the three conditions are satisfied, the orientation completion signal is output. Such a state that the orientation completion signal is not output when a certain time has elapsed after the input of an orientation command is abnormal. In this case, issue an orientation alarm by detecting this state with a power magnetic sequence.

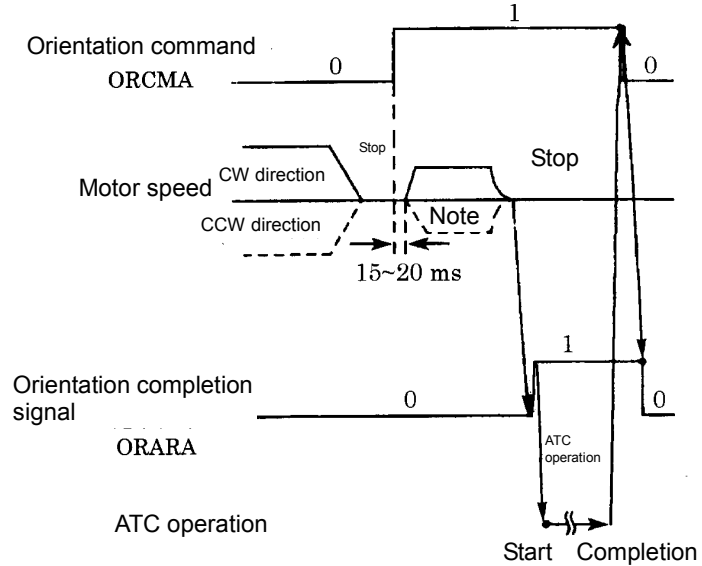
- (ii) When this signal is set to 1, start a tool change operation and workpiece attachment/detachment operation.
- (iii) The orientation completion signal is output when the spindle is in the neighborhood of a predetermined position. This means that this signal does not represent a complete stop signal. With some machines, the operation time for the arm to grasp the tool of the spindle may be short. In this case, insert a time (0.1 to 0.5 second) before operating the arm for ATC so that the arm grasps the tool when the spindle has stopped completely.



- (iv) This signal is set to 0, for example, when the spindle is moved out of the neighborhood of a predetermined stop position as in a case where an external force is applied. In this case, use a sequence that stops tool change operation. However, do not cancel the orientation command, but execute a tool change operation after the orientation completion signal is set to 1 again.
- (v) If the ATC of the machine has a structure that can cause a serious accident such as destruction due to a circuit failure, create a signal for indicating an automatic tool change enable area by using a proximity switch to make a double safety check with a power magnetic sequence before changing the tool.

2.2.9 Examples of Sequences

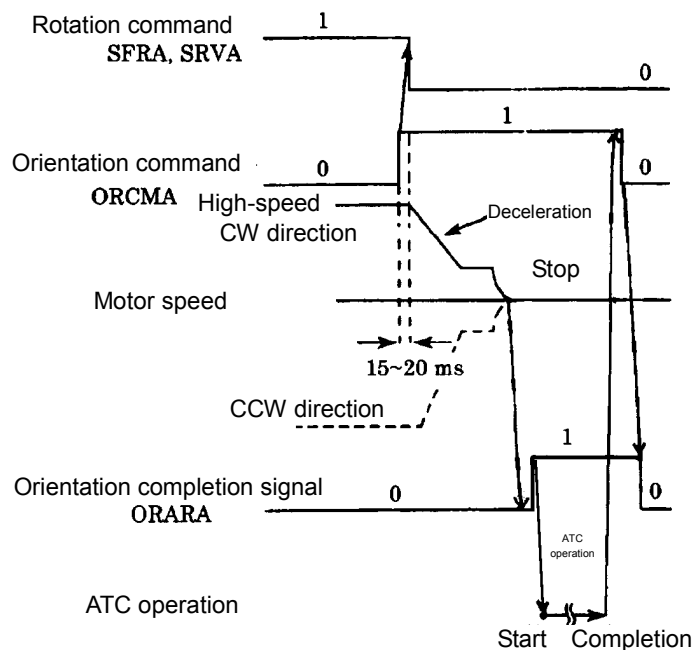
(1) Orientation command at stop time



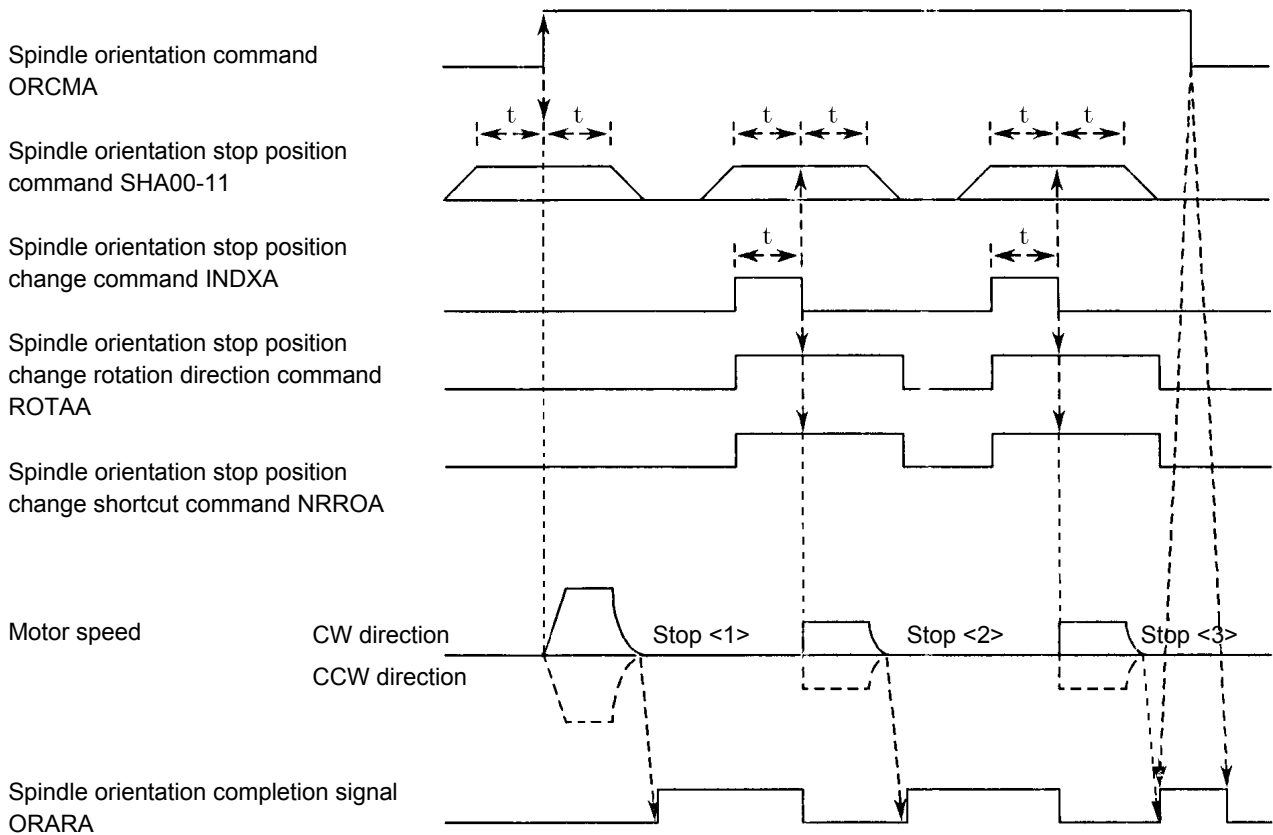
NOTE

The rotation direction of the spindle motor can be selected by parameter settings. By default, the spindle rotates in the direction specified before the orientation command signal is issued and then it stops at a predetermined position.

(2) Orientation command during high-speed rotation



(3) Stop position external setting type spindle orientation



NOTE
Set $t = 50$ msec or more.

Stop <1>

- Predetermined stop position based on the normal orientation command
- The rotation direction of the spindle motor is determined by parameter setting.
- After the power is turned on, the spindle rotates at the orientation speed and seizes the one-rotation signal before stopping at a predetermined position for the first time. After the first stop, the spindle stops at a predetermined position within one rotation.
- When the stop position external setting type spindle orientation function is used, the spindle stops at a predetermined position after shifting by the stop position data read on the rising edge of the spindle orientation command signal if the data of the spindle orientation stop position command SHA00-SHA11 is set after the first stop.

Stop <2>, <3>

- Predetermined stop positions based on the stop position external setting type spindle orientation function
- The rotation direction of the spindle motor depends on the spindle orientation stop position change rotation direction command (ROTAA) and the spindle orientation stop position change shortcut command (NRROA).

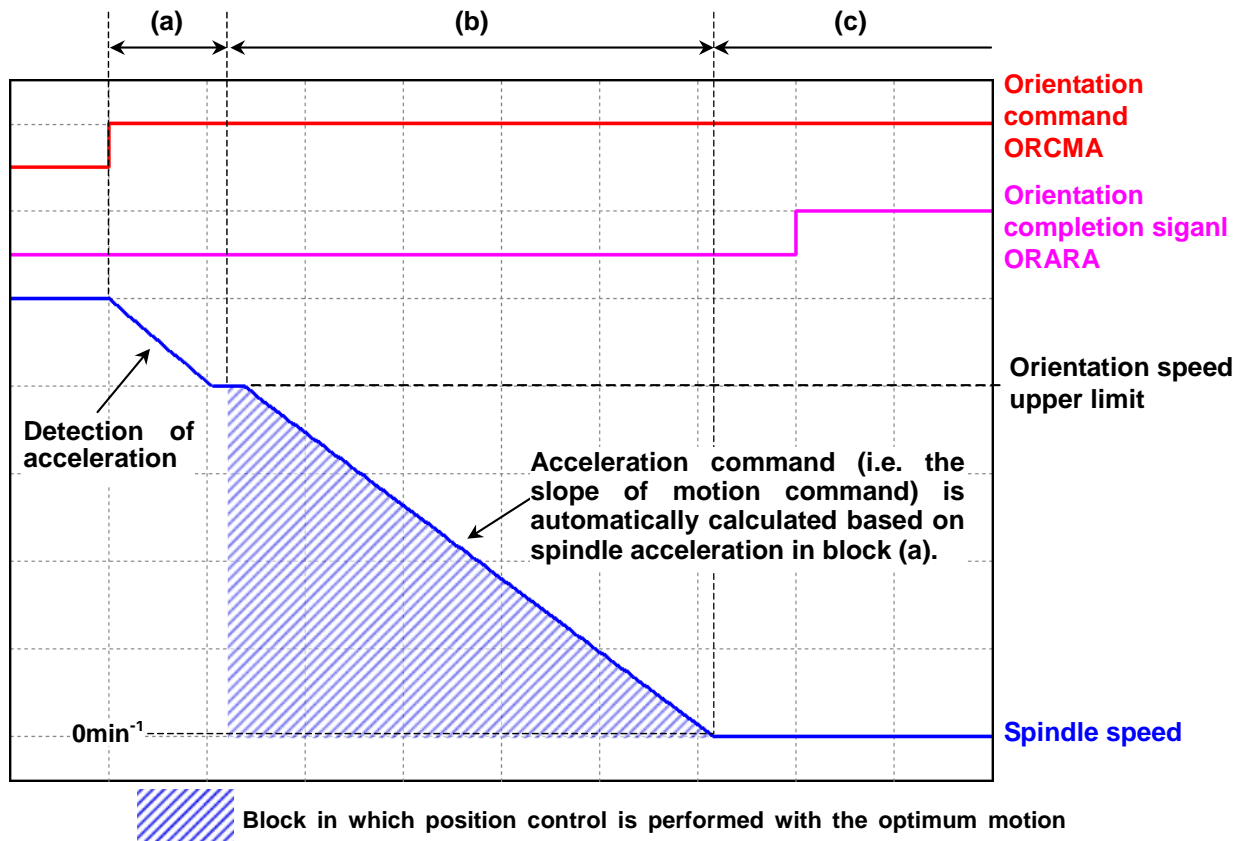
NOTE

The spindle orientation stop position change command INDXA is valid only when the spindle orientation command ORCMA is set to 1.

2.2.10 Explanation of Operation

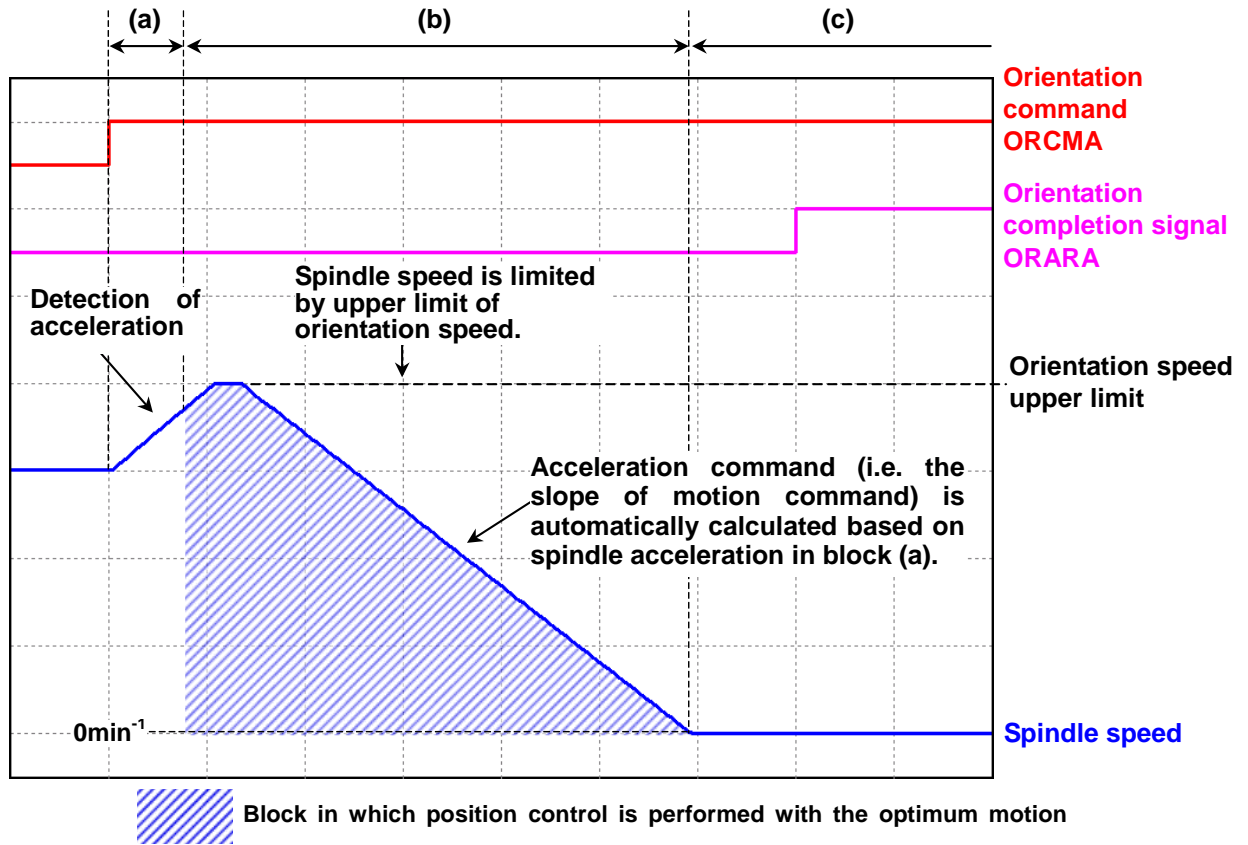
This subsection describes the operation of optimum orientation.

(1) Starting spindle orientation when the spindle is rotating at or faster than the orientation speed upper limit



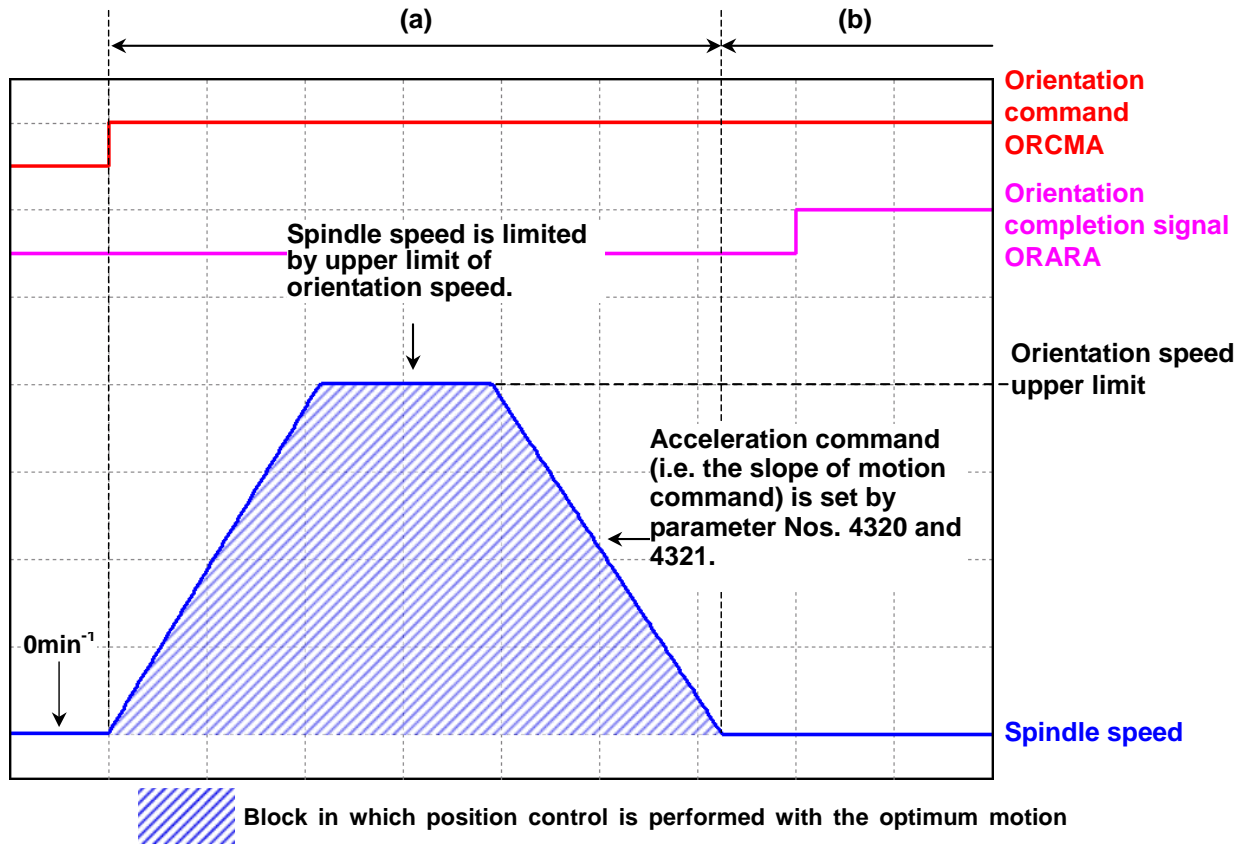
- (a) Spindle amplifier decelerates spindle to the speed specified in parameter No. 4038 (upper limit of orientation speed) and detects spindle acceleration. The one-rotation signal is also detected in case of the first-time orientation after power-on.
- (b) Optimum motion command based on spindle acceleration detected in block (a) is calculated and spindle position control is performed.
- (c) Spindle orientation completion signal (ORARA) is output when motion command distribution is finished and position error become less than or equal to the number of pulses specified in parameter No. 4075 (orientation completion signal detection level).

(2) Starting spindle orientation when the spindle is rotating at or slower than the orientation speed upper limit



- (a) Spindle amplifier accelerates spindle until the time specified in parameter No.4076 [high byte] (delay time for acceleration detection) passed and detects spindle acceleration. The one-rotation signal is also detected in case of the first-time orientation after power-on.
- (b) Optimum motion command based on spindle acceleration detected in block (a) is calculated and spindle position control is performed.
- (c) Spindle orientation completion signal (ORARA) is output when motion command distribution is finished and position error become less than or equal to the number of pulses specified in parameter No. 4075 (orientation completion signal detection level).

(3) Starting spindle orientation when the spindle is in the zero-speed state (Zero-speed detection signal SSTA = 1)



- (a) Spindle amplifier calculates optimum motion command based on spindle acceleration command specified in parameters Nos. 4320 and 4321 and performs spindle position control. In case of the first-time after power-on, the same operation as that described in (2) is performed.
- (b) Spindle orientation completion signal (ORARA) is output when motion command distribution is finished and position error become less than or equal to the number of pulses specified in parameter No. 4075 (orientation completion signal detection level).

2.2.11 Related Parameters

Parameter No.			Description
15i	16i	30i	
3015#0	4015#0	4015#0	Specifies whether to use the spindle orientation function. (Set this bit to 1.) (The CNC software option is required.)
5609#2	3702#3,#2	3729#0	Specifies whether to use the spindle orientation function with the stop position external setting type. (For 16i, #2: First spindle, #3: Second spindle)
3003#0	4003#0	4003#0	Choice of orientation method (To be set to 0 for the position coder method)
3003#3,#2	4003#3,#2	4003#3,#2	Direction of rotation in spindle orientation
3017#7	4017#7	4017#7	Shortcut function when orientation is specified in stop state
3018#6 #3	4018#6 #3	4018#6 #3	Type of position coder method orientation (Bits 6 and 3 to be set to 0 and 1)
3018#5 #4	4018#5 #4	4018#5 #4	Optimum orientation: Setting of velocity feedforward (These bits are selected by the input signal CTH1A)
3031	4031	4031	Stop position for position coder method orientation (This parameter is disabled when spindle orientation with an externally set stop position or an externally set incremental command is used.)
3038	4038	4038	Optimum orientation: Orientation speed upper limit
3042 3043	4042 4043	4042 4043	Velocity loop proportional gain for orientation (A parameter is selected by the CTH1A input signal.)
3050 3051	4050 4051	4050 4051	Velocity loop integral gain for orientation (A parameter is selected by the CTH1A input signal.)
3056 to 3059	4056 to 4059	4056 to 4059	Spindle-to-motor gear ratio (A parameter is selected by the CTH1A and CTH2A input signals.)
3060 to 3063	4060 to 4063	4060 to 4063	Position gain for orientation (A parameter is selected by the CTH1A and CTH2A input signals.)
3064	4064	4064	Rate of change in the position gain upon completion of spindle orientation
3075	4075	4075	Detection level for the spindle orientation completion signal
3076	4076	4076	Speed limit ratio for spindle orientation
3077	4077	4077	Spindle orientation stop position shift
3084	4084	4084	Motor voltage for spindle orientation
3320 3321	4320 4321	4320 4321	Optimum orientation: Spindle acceleration command (These parameters are selected by the input signal CTH1A)
3324	4324	4324	Optimum orientation: One-rotation signal detection speed
3326 3327	4326 4327	4326 4327	Optimum orientation: Limit ratio for acceleration command / Optimum orientation: Time constant for overshoot compensation (These parameters are selected by the input signal CTH1A)
3328	4328	4328	Command multiplier for orientation
3370	4370	4370	Filter time constant for spindle acceleration detection

NOTE

- 1 For the parameters related to detectors, see the Section 1.3, "PARAMETERS RELATED TO DETECTORS" in the Part I.
- 2 For velocity loop proportional/integral gain adjustment, see Section 4.1, "VELOCITY LOOP GAIN ADJUSTMENT", in Part I.
- 3 When using the external one-rotation signal (proximity switch), fix the orientation-time rotation direction (bits 3 and 2 of No. 4003) at one direction.
- 4 When using the external one-rotation signal (proximity switch), set the type of the external one-rotation signal (bits 3 and 2 of No. 4004).
- 5 When using the external one-rotation signal (proximity switch), set an orientation speed from 50 to 100 min^{-1} (No. 4038) according to the specification of the used external one-rotation signal.
- 6 When using the external one-rotation signal (proximity switch), set the numerator/denominator of an arbitrary gear ratio between the motor sensor and spindle (No. 4171 to No. 4174).

2.2.12 Details of Related Parameters

NOTE

The "[H]" and "[L]" suffixes of parameter No. express the upper bytes and lower bytes of parameter No. xxxx. (See illustration below.)

Example: When No. 4076[L] : Bell shaped acc./dec time constant = 100
 No. 4076[H] : Delay time for acceleration detection = 25
 the setting value of parameter No. 4076 is as follows:
 No.4076 = 25 × 256+100 = 6500

15i	16i	30i	#7	#6	#5	#4	#3	#2	#1	#0
3015	4015	4015								ORIENT

ORIENT: Whether to use the spindle orientation function (The CNC software option is required.)
 0: Does not use the spindle orientation function.
 1: Use the spindle orientation function.
 Set 1.

15i	16i	30i	#7	#6	#5	#4	#3	#2	#1	#0
3003	4003	4003					DIRCT2	DIRCT1		PCMGSL

DIRCT2, DIRCT1 Setting of rotation direction at spindle orientation

DIRCT2	DIRCT1	Rotation direction at spindle orientation
0	0	By rotation direction immediately before (It is CCW at the power on.)
0	1	By rotation direction immediately before (It is CW at the power on.)
1	0	CCW (counterclockwise) direction looking from shaft of motor
1	1	CW (clockwise) direction looking from shaft of motor

NOTE
 When using the external one-rotation signal (proximity switch), fix the orientation-time rotation direction at CCW or CW for stable detection of the one-rotation signal.
 (Bits 3, 2 of No. 4003) = 1, 0 or 1, 1)

PCMGSL Selects the type of orientation.
 Set this bit to 0.

15i	16i	30i	#7	#6	#5	#4	#3	#2	#1	#0
3017	4017	4017	NRROEN							

NRROEN Specifies whether to use the shortcut function when orientation is specified in the stop state.
 0 : Does not use the function.
 1 : Uses the function.
 When this bit is set to 1, short cut operation is performed when the following conditions are satisfied:

- Bit 7 of parameter No. 4016 (RFCHK3) is set to 0.
- Zero speed detection output signal SST is set to 1.
- Shortcut command input signal NRROA is set to 1.

15i	16i	30i	#7	#6	#5	#4	#3	#2	#1	#0
3018	4018	4018		ORTYP1	OOTCML	OOTCMH	ORTYP0			

ORTYP1, ORTYP0 Type of position coder method orientation

ORTYP1	ORTYP0	Orientation type
0	0	Conventional method orientation
0	1	Optimum orientation
1	0	High-speed spindle orientation

Set "0,1" (optimum orientation).

OOTCMH: Optimum orientation : Setting of velocity feedforward (CTH1A=0)

OOTCML: Optimum orientation : Setting of velocity feedforward(CTH1A=1)

0: Velocity feedforward is unavailable

1: Velocity feedforward is available

Set 1.

15i 16i 30i

3031 4031 4031

Stop position of position coder method orientation

Unit of data : 1pulse (360deg /4096)

Valid data range : 0 to 4095

Standard setting value : 0

This data is used to set the stop position of position coder method orientation. This parameter is invalid for stop position external setting-type and incremental command external setting-type spindle orientation. Instead, the stop position commands (input signals: SHA11 to SHA00) are valid.

15i 16i 30i

3038 4038 4038

Optimum orientation : Spindle orientation speed
--

Unit of data : 1min^{-1} (10min^{-1} when bit 2 of parameter No.4006(SPDUNT) is set to 1)

Valid data range : 0 to 32767

Standard setting value : 0

This parameter is used to set the upper limit of spindle velocity command after position loop is closed.

If the setting is "0", "base speed of spindle motor/gear ratio between spindle and motor" is automatically assumed, using the settings of parameters Nos. 4056 to 4059 (gear ratio data between spindle and motor).

NOTE

When an improper value is set in any of parameters Nos. 4056 to 4059, the upper limit of the orientation speed is not calculated correctly and unexpected operation can occur.

Be sure to set proper gear ratios in parameters Nos. 4056 to 4059.

15i 16i 30i
3042 4042 4042
3043 4043 4043

Velocity loop proportional gain on orientation (HIGH)	CTH1A=0
Velocity loop proportional gain on orientation (LOW)	CTH1A=1

Unit of data :
Valid data range : 0 to 32767
Standard setting value : 10
This data is used to set the velocity loop proportional gain on orientation.

15i 16i 30i
3050 4050 4050
3051 4051 4051

Velocity loop integral gain on orientation (HIGH)	CTH1A=0
Velocity loop integral gain on orientation (LOW)	CTH1A=1

Unit of data :
Valid data range : 0 to 32767
Standard setting value : 10
This data is used to specify a velocity loop integral gain for spindle orientation.

15i 16i 30i
3056 4056 4056
3057 4057 4057
3058 4058 4058
3059 4059 4059

Gear ratio (HIGH)	CTH1A=0、CTH2A=0
Gear ratio (MEDIUM HIGH)	CTH1A=0、CTH2A=1
Gear ratio (MEDIUM LOW)	CTH1A=1、CTH2A=0
Gear ratio (LOW)	CTH1A=1、CTH2A=1

Unit of data : (Motor rotation for one rotation of spindle) / 100
(When parameter No. 4006 #1 (GRUNIT) is 1, motor rotation / 1000)
Valid data range : 0 to 32767
Standard setting value : 100
These parameters set the gear ratio of the spindle motor relative to the spindle.
When the motor rotates 2.5 times, for every rotation of the spindle, for example, set 250 in the parameter.
A parameter is selected by the CTH1A and CTH2A input signals.
The gear or clutch status must correspond to the status of the CTH1A and CTH2A input signals.

NOTE
When an improper value is set in these parameters, an unexpected operation can occur. For example, the spindle can continue rotating without stopping at the time of orientation. So, be sure to set a proper gear ratio.

15i 16i 30i
 3060 4060 4060
 3061 4061 4061
 3062 4062 4062
 3063 4063 4063

Position gain on orientation (HIGH)	CTH1A=0, CTH2A=0
Position gain on orientation (MEDIUM HIGH)	CTH1A=0, CTH2A=1
Position gain on orientation (MEDIUM LOW)	CTH1A=1, CTH2A=0
Position gain on orientation (LOW)	CTH1A=1, CTH2A=1

Unit of data : 0.01sec⁻¹
 Valid data range : 0 to 32767
 Standard setting : 1000

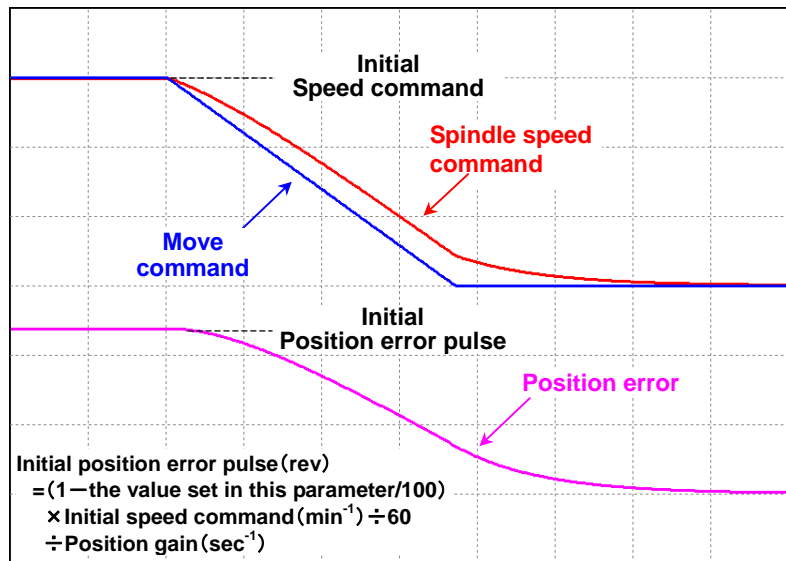
These parameters set the position gain for orientation.

15i 16i 30i
 3064 4064 4064

Optimum orientation: Position feedforward coefficient

Unit of data : 1%
 Valid data range : 0 to 100
 Standard setting value : 100

This parameter is used to set position feedforward coefficient. Normally, set 100.



15i 16i 30i
 3075 4075 4075

Orientation completion signal detection level (limits of in-position)

Unit of data : ±1 pulse unit (360 degrees/4096)
 Valid data range : 0 to 100
 Standard setting : 10

This data is used to set the detecting level of orientation completion signal (ORARA). ORARA is assumed to be 1 if the position error is within the setting.

15i 16i 30i
3076[L] 4076[L] 4076[L]

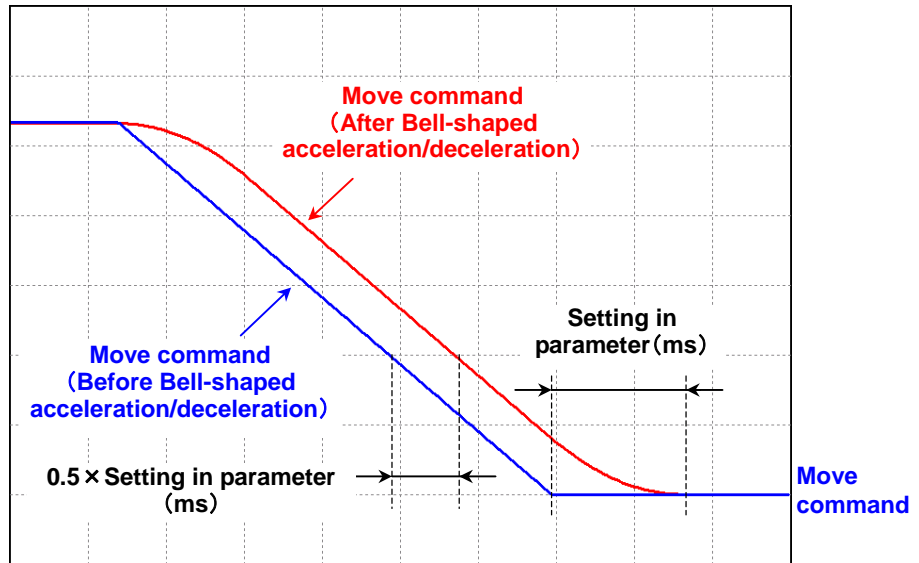
Optimum orientation : Bell-shaped acceleration/deceleration time constant

Unit of data : 1msec
Valid data range : 0 to 255
Standard setting value : 0

This data is used to set bell-shaped acceleration/deceleration time constant.

If the setting is "0", "31" (= 31 msec) is assumed to be set in the parameter.

Normally, set 0.



15i 16i 30i
3076[H] 4076[H] 4076[H]

Optimum orientation: Delay time for acceleration detection

Unit of data : 10msec
Valid data range : 0 to 125
Standard setting value : 0

This data is used to set the lower limit of the time between the instant when the orientation command ORCMA is input and the instant when position loop is closed. The acceleration command is automatically set based on the acceleration data detected by the time position loop is closed.

If the setting is "0", "2" (= 20 msec) is assumed to be set in the parameter.

Normally, set 0.

15i 16i 30i
 3077 4077 4077

Orientation stop position shift value
--

Unit of data : ± 1 pulse unit (360 degrees/4096)
 Valid data range : -4095 to 4095
 Standard setting : 0

In the position coder method orientation, set this data to shift stop position. If a positive value is specified, the position where the spindle stops is shifted counterclockwise (CCW).

15i 16i 30i
 3084 4084 4084

Motor voltage setting on orientation

Unit of data : 1%
 Valid data range : 0 to 100
 Standard setting : The value may vary, however, depending on the motor model.
 This parameter sets the motor voltage for orientation.
 Normally, set 100.

15i 16i 30i
 3320 4320 4320
 3321 4321 4321

Optimum orientation : Spindle acceleration command (HIGH)	CTH1A=0
Optimum orientation : Spindle acceleration command (LOW)	CTH1A=1

Unit of data : $10 \text{ min}^{-1}/\text{sec}$
 Valid data range : -10000 to 10000
 Standard setting value : 0

When setting value is zero or positive

When orientation is commanded in the rotating state, the spindle acceleration command is automatically set based on the spindle acceleration detected from the time the orientation command (ORCMA) is input until the position loop is closed.

These parameters are used to set spindle acceleration command in case of

- Orientation when spindle is zero-speed state (Zero-speed detection signal SST = 1)
 - Incremental command external setting-type orientation
- If the setting is "0", "133" (= $1330 \text{ min}^{-1}/\text{sec}$) is assumed to be set in the parameter.

When setting value is negative

These parameters are used to set spindle acceleration command regardless of the spindle speed when orientation is commanded. (The absolute value of the setting value is treated as acceleration command.)

15i 16i 30i
3324 4324 4324

Optimum orientation : One-rotation signal detection speed

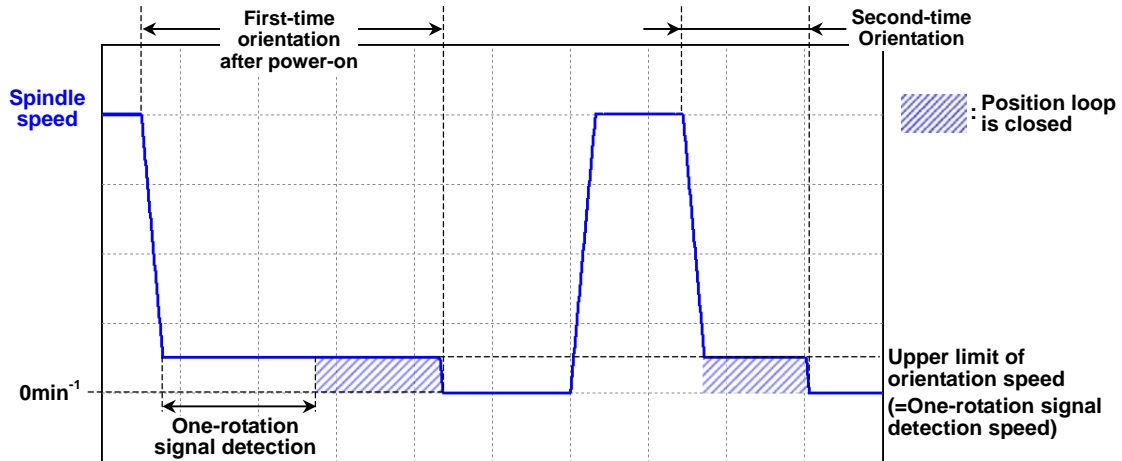
Unit of data : 1min^{-1} (10min^{-1} when bit 2 (SPDUNT) of parameter No. 4006 =1)
Valid data range : 0 to 32767
Standard setting value : 0

In case of the first-time orientation command (ORCMA) after power-on, the spindle accelerates or decelerates toward the speed set by this parameter and detects one-rotation signal.

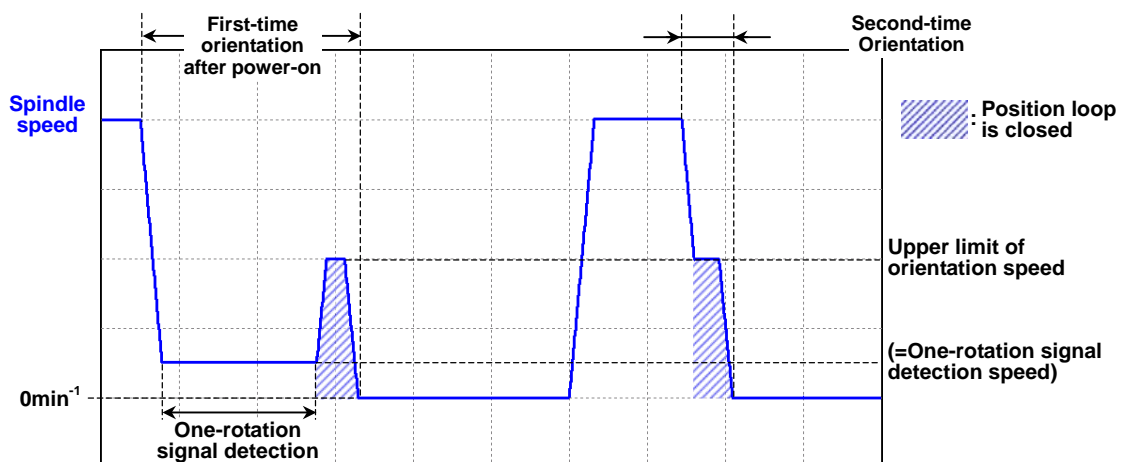
If the setting is "0", setting value of parameter No. 4038 (upper limit of orientation speed) is assumed to be set in the parameter.

If the external one-rotation signal (proximity switch) is used, setting this parameter and the upper limit of orientation speed separately can reduce orientation time of second-time or later after power-on.

When one-rotation signal detection speed is equal to upper limit of orientation speed
(No. 4324 = 0)



When one-rotation signal detection speed is different from upper limit of orientation speed
speed (No. 4324 \neq 0)

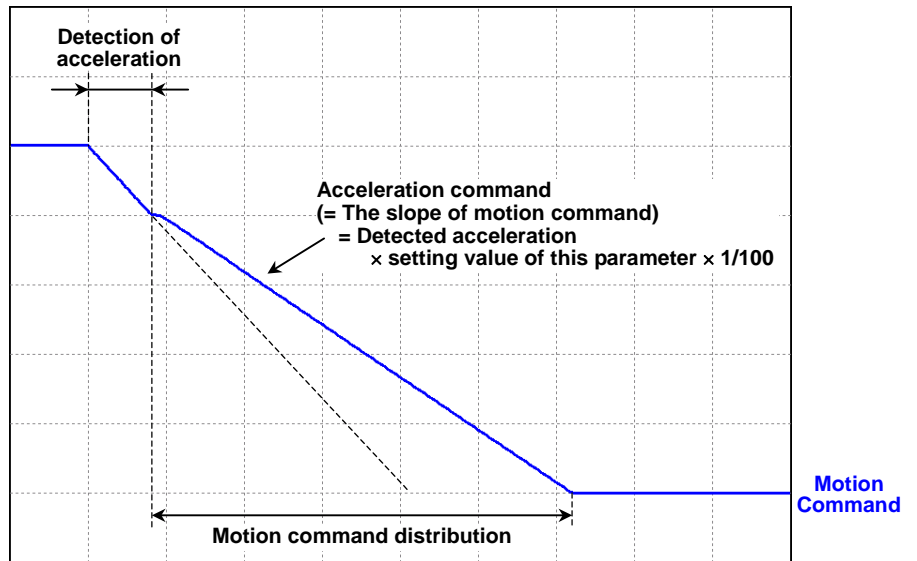


15i 16i 30i
 3326[L] 4326[L] 4326[L]
 3327[L] 4327[L] 4327[L]

Optimum orientation : Limit ratio of acceleration command(HIGH)CTH1A=0
Optimum orientation : Limit ratio of acceleration command(LOW) CTH1A=1

Unit of data : 1%
 Valid data range : 0 to 100
 Standard setting value : 0

This parameter is used to set limit ratio for acceleration command.
 If the setting is "0", "95"(=95%) is assumed to be set in the parameter.
 Usually, specify "0".



15i 16i 30i
 3326[H] 4326[H] 4326[H]
 3327[H] 4327[H] 4327[H]

Optimum orientation : Time constant for overshoot compensation (HIGH)	CTH1A=0
Optimum orientation : Time constant for overshoot compensation (LOW)	CTH1A=1

Unit of data : 1msec
 Valid data range : 0 to 125
 Standard setting value : 0

This parameter is used to set time constant for overshoot compensation.
 If the setting is "0", "5"(=5msec) is assumed to be set in the parameter.
 Usually, specify "0".

15i 16i 30i
3328 4328 4328

Command multiplier for spindle orientation by a position coder

Unit of data :
Valid data range : 0 to 32767
Standard setting value : 0

Set a command multiplier for the orientation function with an externally set incremental command.

If this parameter is set to "0", the multiplier is automatically assumed to be "1" (= $\times 1$).

If this parameter is set to a value other than "0", the incremental command is

"Incremental command data (SHA11 to SHA00) \times setting of this parameter"

To use spindle rotation speed control, set this parameter to "4096", because the resolution commanded for orientation is 4096 pulses per spindle rotation.

NOTE

*1 For an explanation of the incremental command type spindle orientation function, see Section 5.3, "INCREMENTAL COMMAND TYPE SPINDLE ORIENTATION (SPINDLE ROTATION SPEED CONTROL)", in Part I.

*2 In case of optimum orientation, the maximum number of revolution (incremental command) that can be specified is
30000 revolution (= 30000×4096 pulses).

15i 16i 30i
3370 4370 4370

Filter time constant for spindle acceleration detection

Unit of data : 1msec
Valid data range : 0 to 100
Standard setting value : 0

This parameter is used to set filter time constant for spindle acceleration detection.

The following are the recommended settings for the individual types of spindle sensor.

Type of spindle sensor	Setting value
Except for α i position coder (No.4002#3,2,1,0 \neq 0, 0, 1, 0)	5 to 15
α i position coder (No.4002#3,2,1,0 = 0, 0, 1, 0)	10 to 20

If the setting is "0",

"5" (= 5 msec): except for α i position coder

"10" (= 10 msec): α i position coder

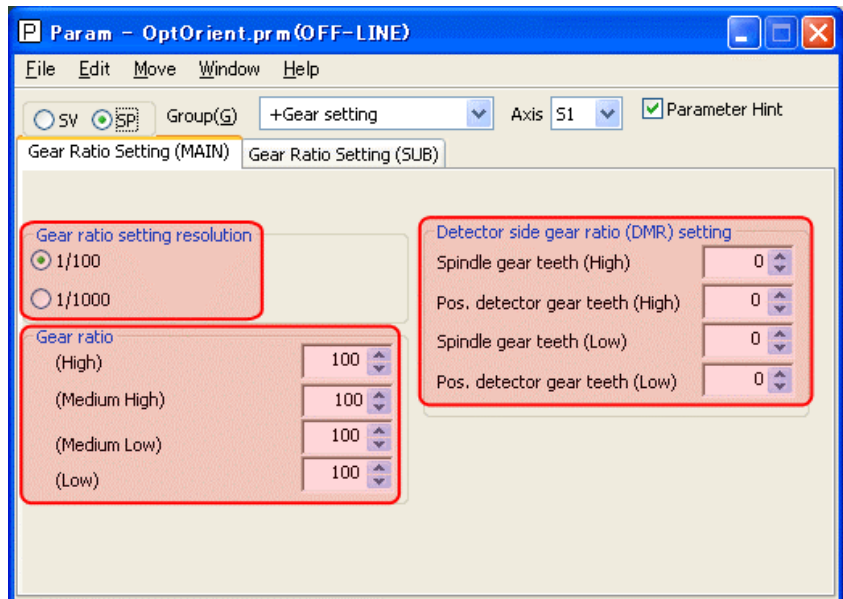
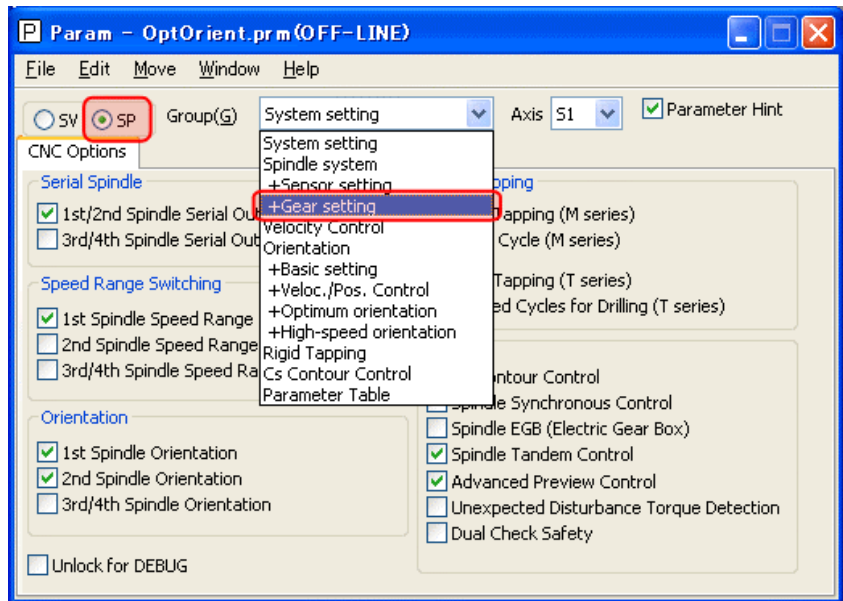
is assumed to be set in this parameter.

2.2.13 Tuning Procedure

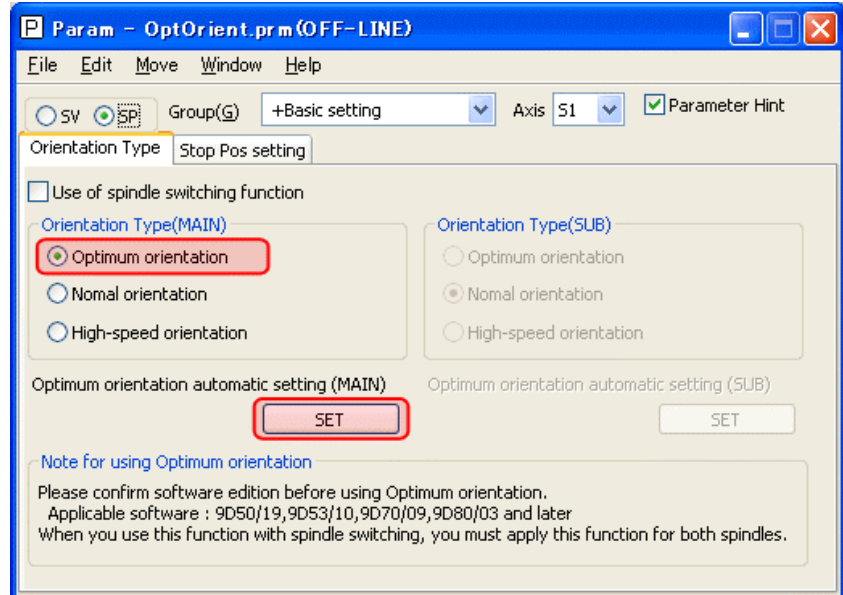
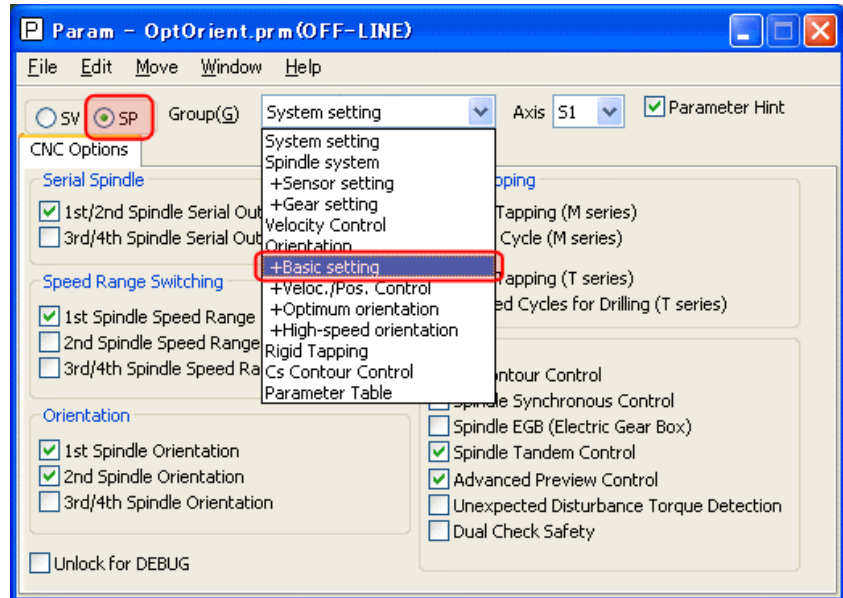
(1) Parameter initialization

(A) If making settings from the parameter window of the SERVO GUIDE

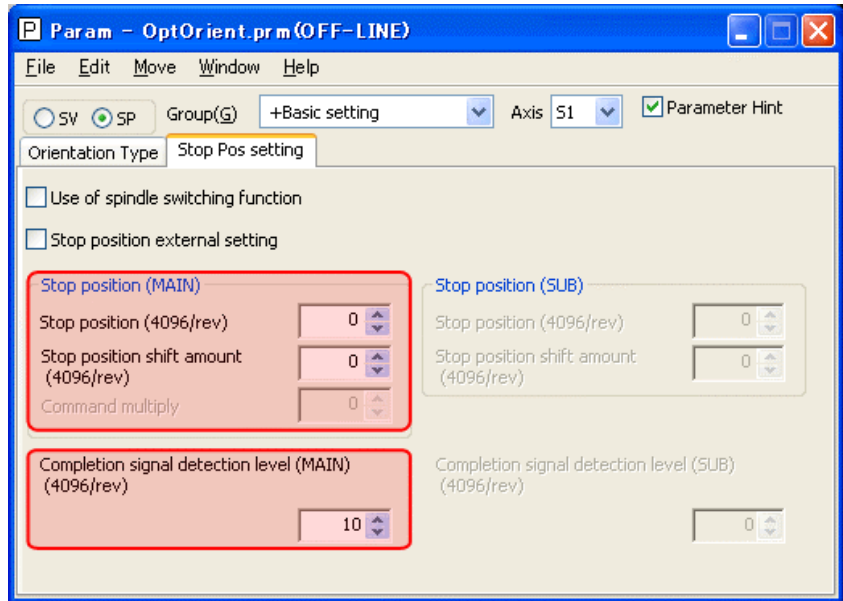
- (i) Open the parameter window of the SERVO GUIDE, and select "SP"-**"Spindle system"**-**"Gear setting"**, and set
 - Gear ratio setting resolution
 - Gear ratio
 - Detector side gear (DMR) setting according to the system configuration.



- (ii) Select "SP"->"Orientation"->"Basic setting"->"Orientation Type". For Orientation Type, select "Optimum orientation" and then click the automatic setting button.



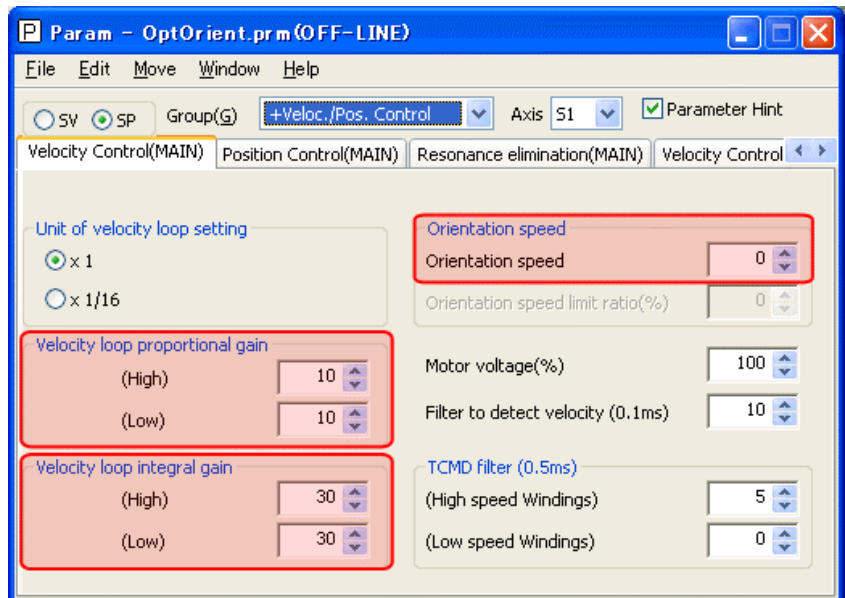
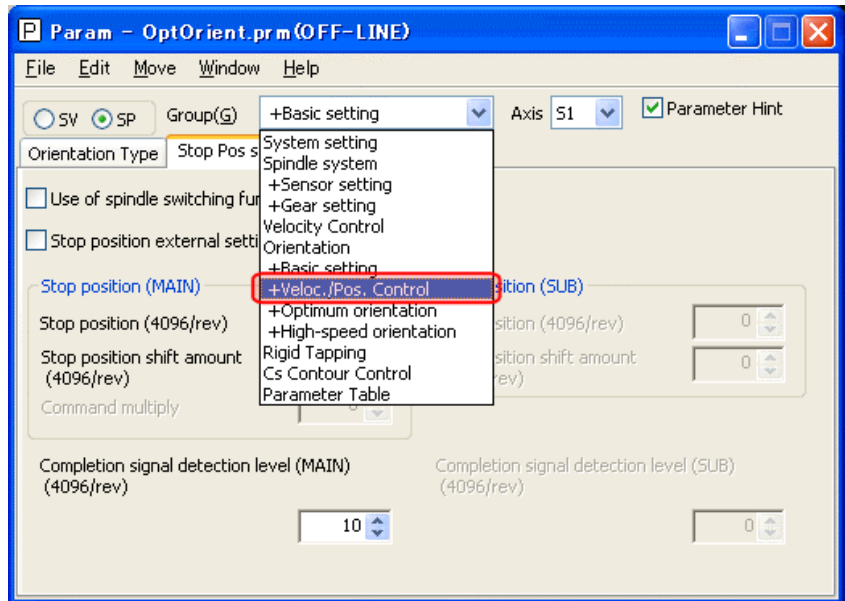
- (iii) Select "SP"->"Orientation"->"Basic setting"->"Stop Pos setting", and set
- Stop position
 - Stop position shift amount
 - Command multiply
 - Completion signal detection level
- according to the use.



- (iv) Select "SP"->"Orientation"->"Veloc./Pos. Control"->"Velocity Control", and set
 - Velocity loop proportional gain: 10
 - Velocity loop integral gain: 30

If wishing to limit the spindle speed during position control, set the upper limit for

- Orientation speed



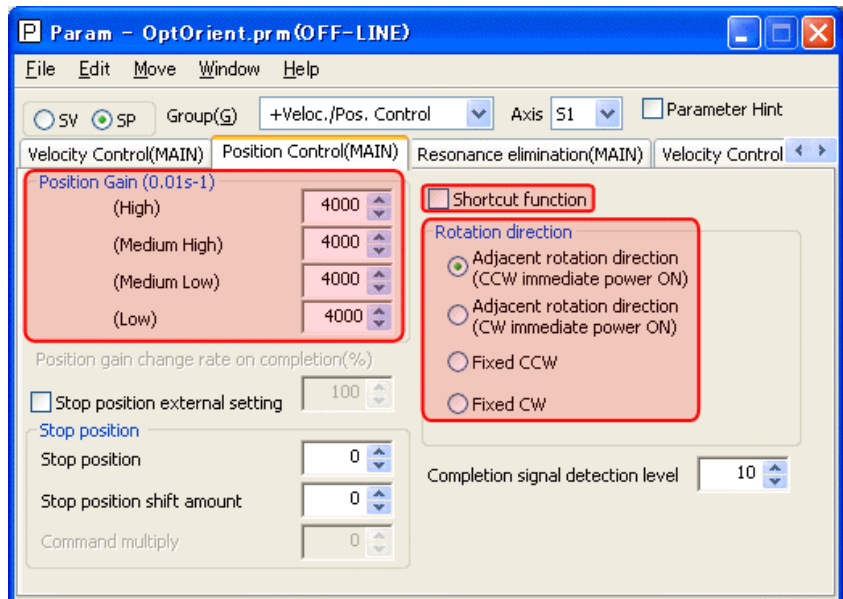
- (v) Select **"SP"->"Orientation"->"Veloc./Pos. Control"->"Position Control"**, and set
 - Position Gain: 3000 to 4000

Set

- Shortcut function
- Rotation direction

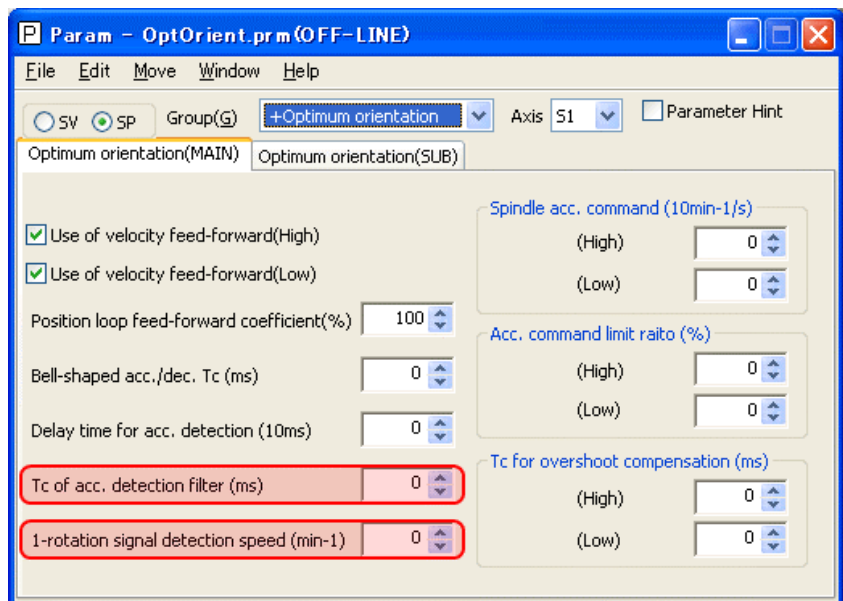
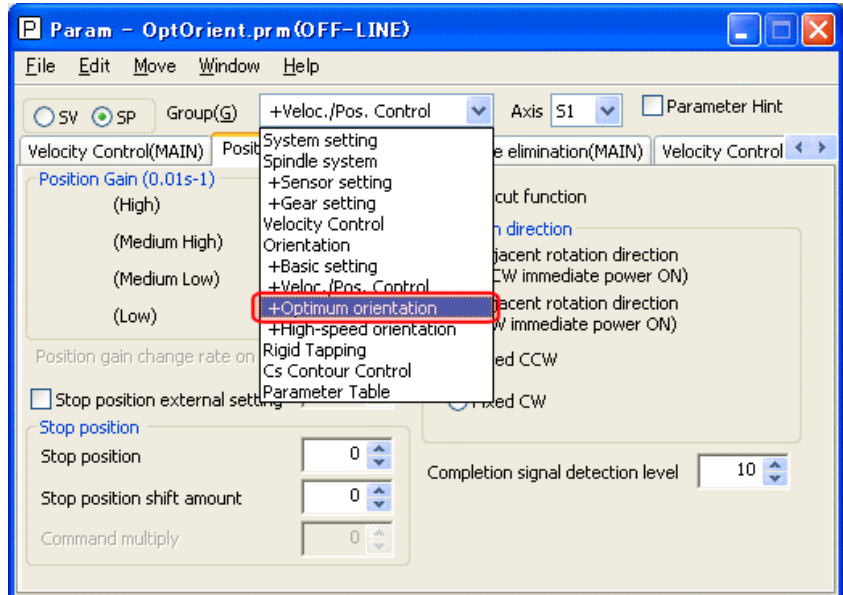
according to the use.

If using the external one-rotation signal (proximity switch), set Rotation direction to either Fixed CCW or Fixed CW



- (vi) Select "SP"-**"Orientation"**-**"Optimum orientation"**, and set
- Tc of acc. detection filter: 0

If using the external one-rotation signal (proximity switch), set
- 1-rotation signal detection speed: 50 to 100
according to the sensor specifications.



(B) If making settings from the SYSTEM> parameter screen of the CNC

Initialize the parameters as listed below.
 Orientation may work well with following settings. Tune parameters if necessary.

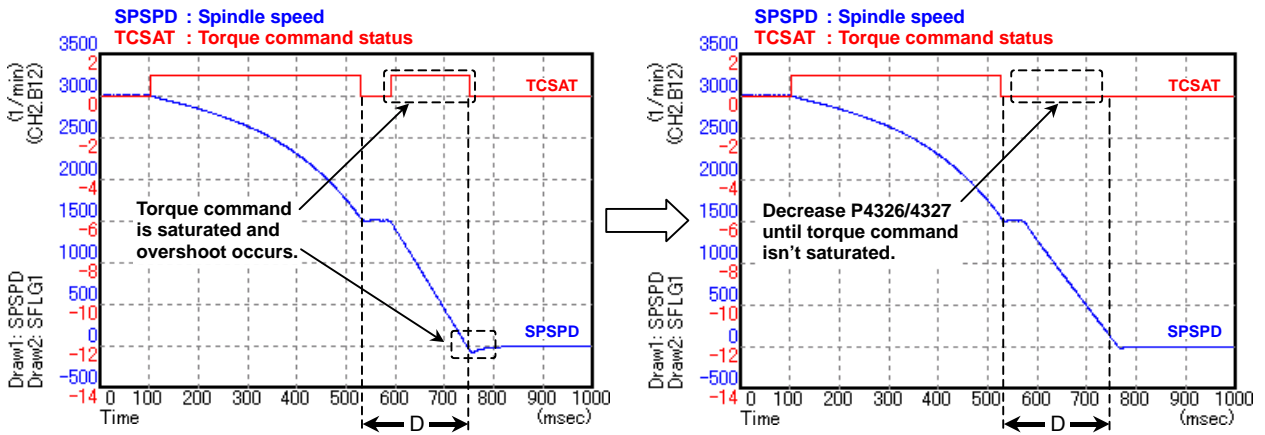
No.	Description	Initial setting
4003#0	Selecting a spindle orientation type	0
4003#3,#2	Spindle rotation direction at orientation	Select a rotation direction.
4006#1	Unit of gear ratio setting	Specify an appropriate value depending on the system configuration.
4017#7	Short-cut function when spindle orientation from stopped state is specified	Specify an appropriate value according to the use of the machine.
4018#6,3	Type of position coder method orientation	0, 1
4018#4,5	Setting of velocity feedforward	1, 1
4031	Spindle orientation stop position	Specify a stop position.
4038	Spindle orientation speed upper limit	0
4042 to 4043	Velocity proportional gain on orientation	10
4050 to 4051	Velocity integral gain on orientation	10
4056 to 4059	Gear ratio	Specify an appropriate value depending on the system configuration.
4060 to 4063	Position gain on orientation	3000
4064	Percentage limit to an acceleration during deceleration	100
4075	Orientation completion signal detection level	Specify an appropriate value according to the use of the machine.
4077	Orientation stop position shift value	Specify a stop position.
4084	Motor voltage on orientation	100
4171,4173	Denominator of the motor sensor-to-spindle arbitrary gear ratio	Specify an appropriate value depending on the system configuration.
4172,4174	Numerator of the motor sensor-to-spindle arbitrary gear ratio	Specify an appropriate value depending on the system configuration.
4320 to 4323	Acceleration during motor deceleration	Tune according to actual measurements.
4324	One-rotation signal detection speed	0 * ³
4326,4327	Limit ratio for spindle acceleration command / Time constant for overshoot compensation	0
4328	Command multiplier for orientation	Specify an appropriate value according to the use of the machine.
4370	Filter time constant for spindle acceleration detection	0

NOTE

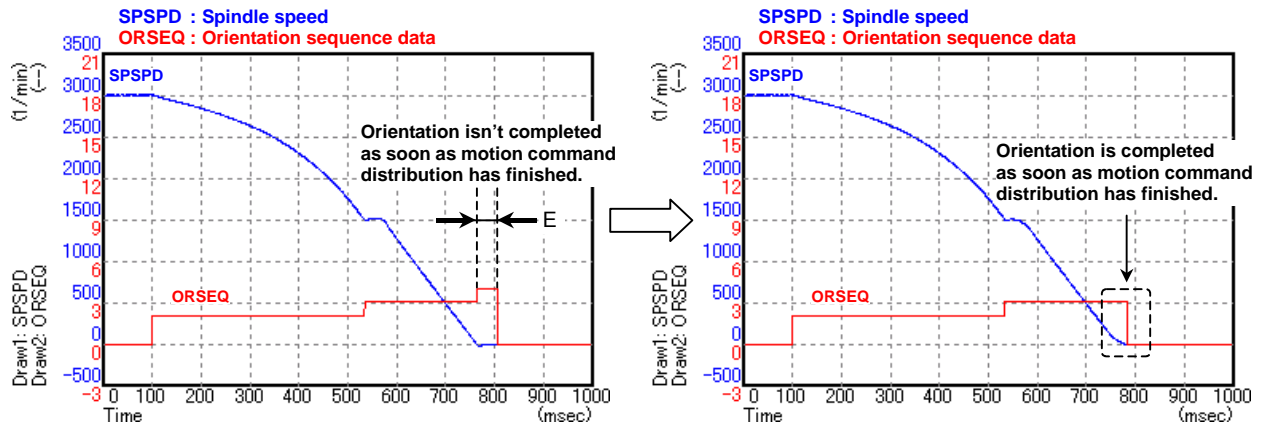
- *1 Fix the rotation direction at one direction when the external one-rotation signal (proximity switch) is used.
- *2 Set upper limit if it is necessary to specify the maximum speed of spindle during position control.
- *3 Set 50 to 100 min⁻¹ according to the specification of the sensor when the external one-rotation signal (proximity switch) is used.

(2) Tuning example 1: If specifying orientation when the spindle is rotating

- (a) Tuning the velocity loop proportional gain (Nos. 4042/4043) and integral gain (Nos. 4050/4051)
 Detach the load inertia (tool and workpiece) from the spindle. Then tune the velocity proportional/integral gain by referring to Section 4.1, "VELOCITY LOOP GAIN ADJUSTMENT", in Part I.
- (b) Tuning the position gain (Nos. 4060 to 4063)
 Basically, the position gain needs no changes from the initial values mentioned in the preceding section.
- (c) Tuning the limit ratio for acceleration command (Nos. 4326/4327)
 Perform orientation from maximum spindle speed. If the torque command is saturated (TCSAT = 1) while motion command distribution is executing (Section D: ORSEQ = 3), decrease the limit ratio for the acceleration command (Nos. 4326/4327) in steps of 5% from the initial value of 95%.



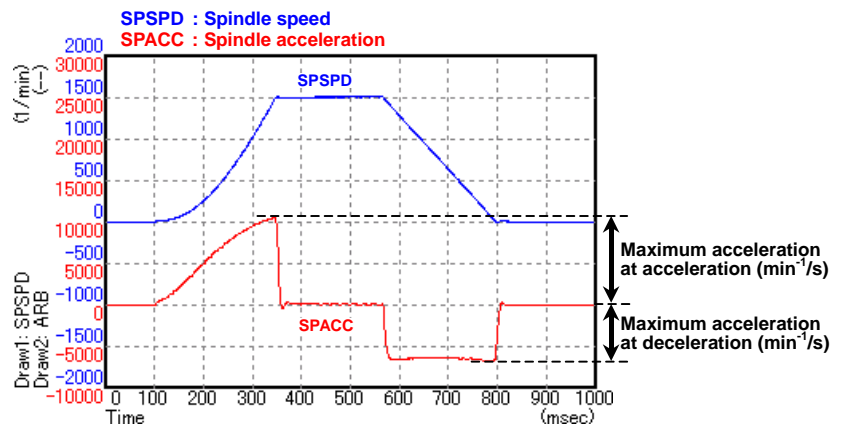
- (d) Tuning the bell-shaped acc./dec. time constant (No. 4076)
 If the time from the end of motion command distribution to orientation completion (Section E: ORSEQ = 4) is long, increase the bell-shaped acc./dec. time constant (No. 4076) in steps of 4 ms from the initial value of 32 ms.



- (e) Checking orientation with the load inertia attached
Attach the load inertia to the spindle and check orientation from the maximum spindle speed.

(3) Tuning example 2: If specifying orientation when the spindle is zero-speed state

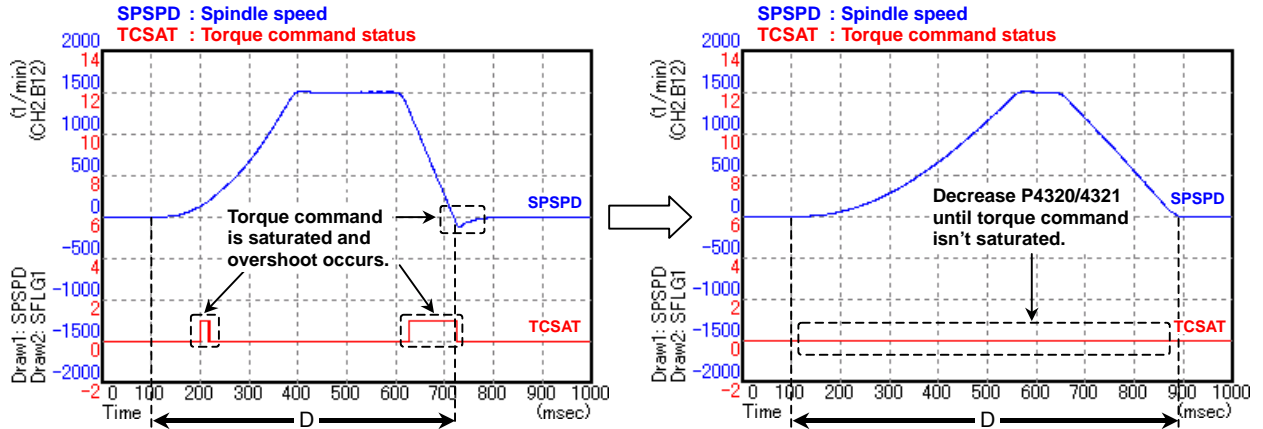
- (a) Tuning the velocity loop proportional gain (Nos. 4042/4043) and integral gain (Nos. 4050/4051)
Attach the load inertia (tool and workpiece) to the spindle. Then tune the velocity proportional/integral gain by referring to Section 4.1, "VELOCITY LOOP GAIN ADJUSTMENT", in Part I.
- (b) Tuning the position gain (Nos. 4060 to 4063)
Basically, the position gain needs no changes from the initial values mentioned in the preceding section.
- (c) Specifying the [provisional value] of the spindle acceleration command (Nos. 4320/4321)
Perform acc./dec. from 0 min⁻¹ to maximum speed in velocity control mode, and measure spindle acceleration.



Specify the spindle acceleration command (Nos. 4320/4321) as follows:

$$\text{Setting value} = 0.1 \times \min (|\text{max. acceleration at acc.}|, |\text{max. acceleration at dec.}|)$$

- (d) Tuning the spindle acceleration command (Nos. 4320/4321)
 Perform orientation from the state in which motor excitation is off. If the torque command is saturated (TCSAT = 1) while motion command distribution is executing (Section D: ORSEQ = 3), decrease the spindle acceleration command (Nos. 4320/4321) until torque command is not saturated.



- (e) Tuning the bell-shaped acc./dec. time constant (No. 4076)
 Tune the bell-shaped acc./dec. time constant (No. 4076) in the same way as that described in (2).

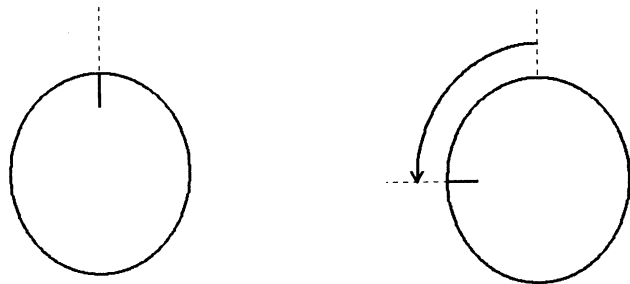
2.2.14 Adjusting the Orientation Stop Position Shift Parameter

Adjust the orientation stop position shift parameter by following the procedure below.

- (a) Specify parameters as follows:
 - Bit 1 of No. 3117 = 1 (to enable the display function of diagnosis screen No. 445)
 - Bit 7 of No. 4016 = 0
 - No. 4031 = 0 (When external signals are used for setting, set the input signals SHA11 to SHA00 to 0.)
 - No. 4077 = 0
- (b) Enter an orientation command (ORCMA) to stop orientation.
- (c) After orientation is stopped, check that diagnosis screen No. 445 displays "0".
Cancel the orientation command and set the emergency stop state to deactivate the motor.
- (d) Rotate the spindle manually to the position where you want the spindle to stop then read the displayed value of diagnosis screen No. 445.
- (e) Set the displayed value of (d) as the parameter data for an orientation stop position shift amount (No. 4077).

[Example]

Value displayed in No. 445 when orientation is stopped = "0" ⇒ Value displayed in No. 445 when the spindle is rotated manually in the emergency stop state = "1024"



Value to be specified in the parameter No. 4077 = 1024

NOTE

- 1 The display function of diagnosis screen No. 445 is a maintenance function. After completion of adjustment, return the setting of bit 1 of parameter No. 3117 to "0".
- 2 The FS15i does not have the spindle position data display function.

2.2.15 Supplementary Descriptions

(1) Correspondence of parameter Nos. when the spindle switching control function is used

15i		16i		30i		Description
MAIN	SUB	MAIN	SUB	MAIN	SUB	
3015#0	←	4015#0	←	4015#0	←	Whether the spindle orientation function is available
3003#3 #2	3179#3 #2	4003#3 #2	4179#3 #2	4003#3 #2	4179#3 #2	Rotation direction for orientation
3003#0	3179#0	4003#0	4179#0	4003#0	4179#0	Orientation method selection
3017#7	3193#7	4017#7	4193#7	4017#7	4193#7	Short-cut function when spindle orientation from stopped state is specified
3018#6 #3	3194#6 #3	4018#6 #3	4194#6 #3	4018#6 #3	4194#6 #3	Type of position coder method orientation
3018#4	3194#4	4018#4	4194#4	4018#4	4194#4	Setting of velocity feedforward (HIGH)
3018#5	3194#5	4018#5	4194#5	4018#5	4194#5	Setting of velocity feedforward (LOW)
3031	3204	4031	4204	4031	4204	Spindle orientation stop position
3038	3205	4038	4205	4038	4205	Upper limit of orientation speed
3042	3208	4042	4208	4042	4208	Velocity loop proportional gain for orientation (HIGH)
3043	3209	4043	4209	4043	4209	Velocity loop proportional gain for orientation (LOW)
3050	3213	4050	4213	4050	4213	Velocity integral gain for orientation (HIGH)
3051	↑	4051	↑	4051	↑	Velocity integral gain for orientation (LOW)
3056	3216	4056	4216	4056	4216	Gear ratio data between spindle and motor (HIGH)
3057	↑	4057	↑	4057	↑	Gear ratio data between spindle and motor (MEDIUM HIGH)
3058	↓	4058	↓	4058	↓	Gear ratio data between spindle and motor (MEDIUM LOW)
3059	3217	4059	4217	4059	4217	Gear ratio data between spindle and motor (LOW)
3060	3218	4060	4218	4060	4218	Position gain for orientation (HIGH)
3061	↑	4061	↑	4061	↑	Position gain for orientation (MEDIUM HIGH)
3062	↓	4062	↓	4062	↓	Position gain for orientation (MEDIUM LOW)
3063	3219	4063	4219	4063	4219	Position gain for orientation (LOW)
3064	3220	4064	4220	4064	4220	Position feedforward coefficient
3075	3226	4075	4226	4075	4226	Orientation completion signal detection level
3076	3227	4076	4227	4076	4227	Bell-shaped acc./dec. time constant / Delay time for acceleration detection
3077	3228	4077	4228	4077	4228	Orientation stop position shift value
3084	3237	4084	4237	4084	4237	Motor voltage for orientation
3320	3322	4320	4322	4320	4322	Spindle acceleration command (HIGH)
3321	3323	4321	4323	4321	4323	Spindle acceleration command (LOW)
3324	3325	4324	4325	4324	4325	One-rotation signal detection speed
3326	3330	4326	4330	4326	4330	Limit ratio for acceleration command (HIGH) / Time constant for overshoot compensation (HIGH)
3327	3331	4327	4331	4327	4331	Limit ratio for acceleration command (LOW) / Time constant for overshoot compensation (LOW)
3328	3329	4328	4329	4328	4329	Command multiplier for orientation
3370	3383	4370	4383	4370	4383	Filter time constant for spindle acceleration detection

NOTE

Use the optimum orientation function for both MAIN spindle and SUB spindle when the spindle switching control function is used concurrently.

(2) Spindle data related to optimum orientation

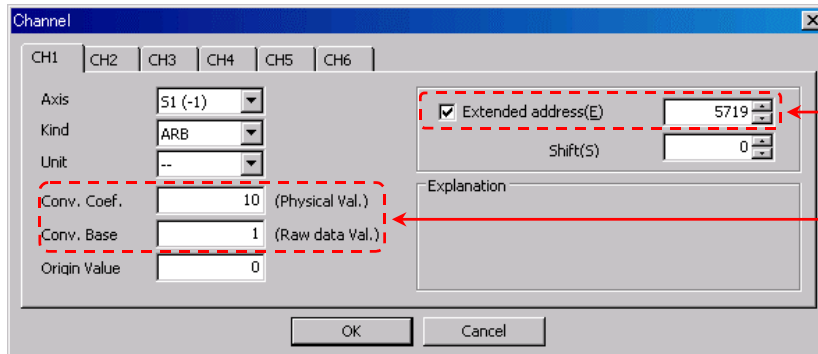
The following are setting examples that can be used if data related to optimum orientation is to be measured using the SERVO GUIDE. Refer to FANUC SERVO GUIDE OPERATOR'S MANUAL (B-65404EN) or online help for detailed explanations about how to use the SERVO GUIDE.

Data	Kind	Unit	Conv. Coef.	Conv. Base	Shift	Notet
Spindle speed	SPSPD	1/min	1	1	-12	
Spindle acceleration*1	SPACC	—	10	1	0	Unit:1min ⁻¹ /sec
Orientation sequence data*2	ORSEQ	—	1	1	0	
Position error at orientation	ORERR	pulse	0.25	1	-10	4096 pulses/rev
Torque command	TCMD	%	100	16384	0	
Torque command status*3 (bit12 of spindle flag 1)	SFLG1#12 (TCSAT)	—	1	1	0	0:TCMD isn't saturated 1:TCMD is saturated

NOTE

*1 If the SERVO GUIDE is of Version 4.10 or later.

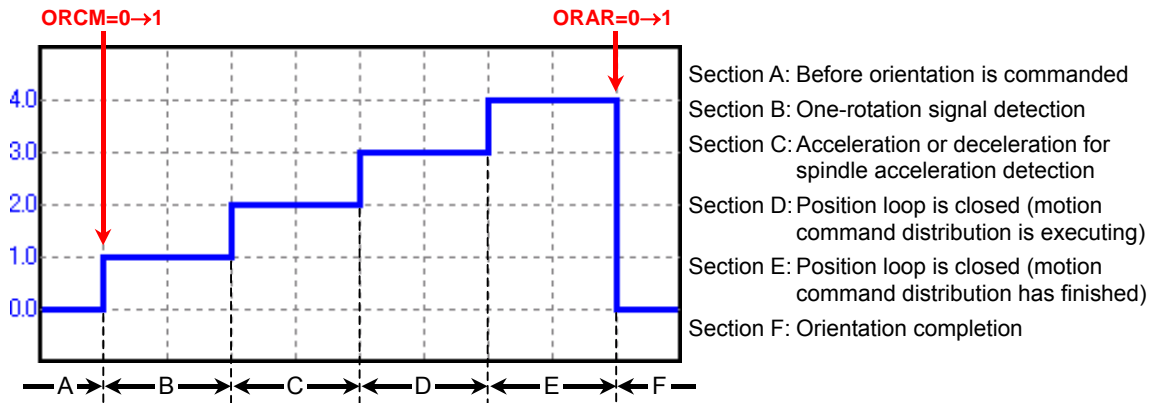
For an earlier version, make the following settings on the channel setting screen of the graph window.



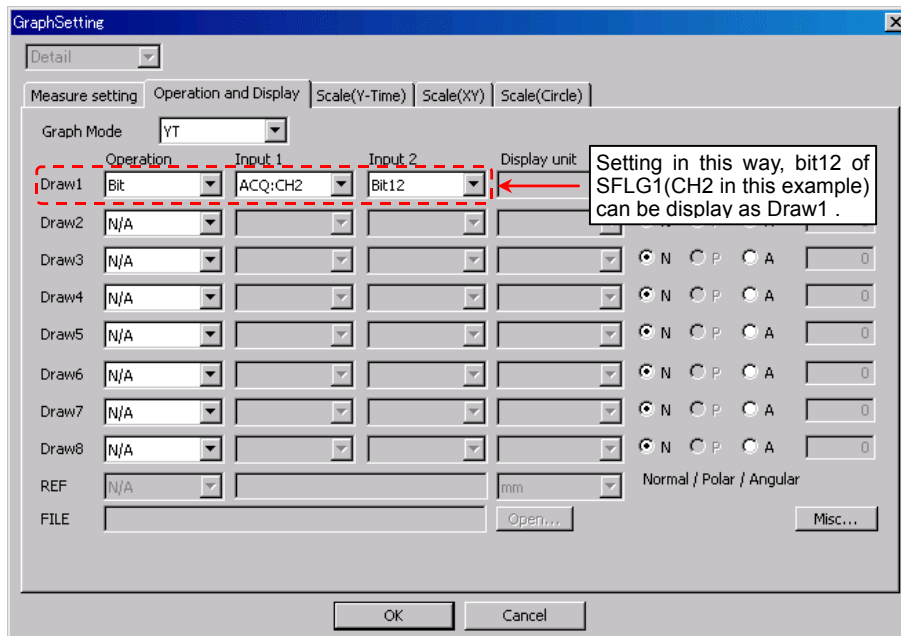
Set extended address

Setting Conv. Coef. & Conv. Base in this way, unit of data become 1min⁻¹/sec

*2 Orientation sequence (ORSEQ) is data showing the states of orientation. Shown below is an example of output wave-form, together with the meaning of each state.

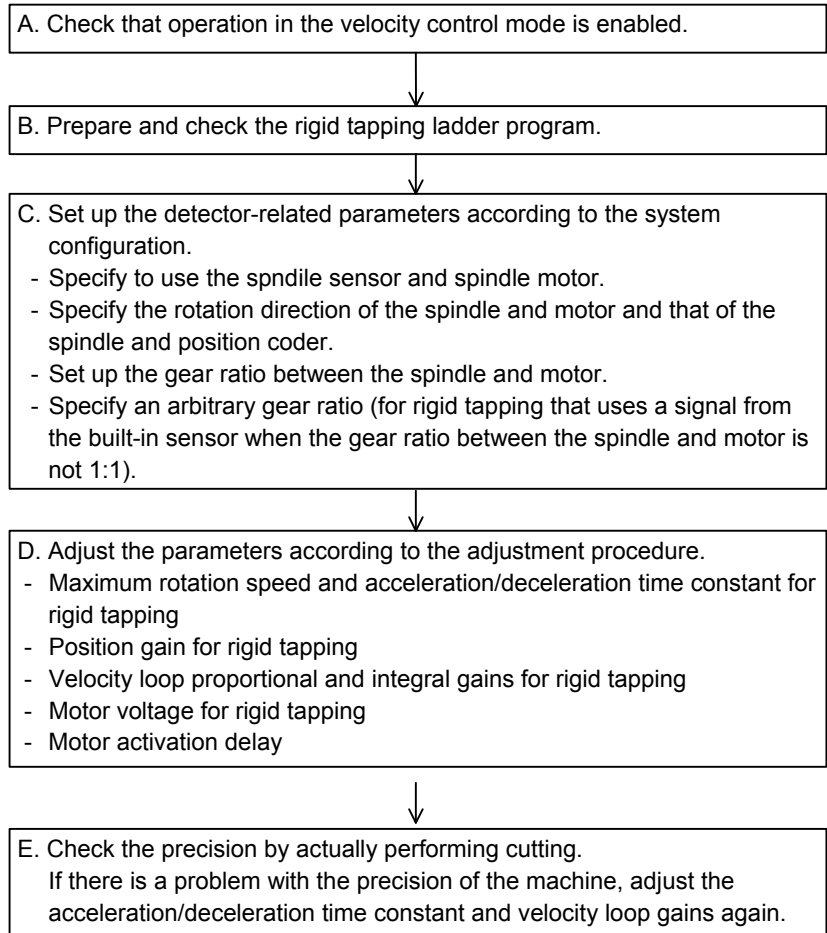


*3 To display the torque command status decision flag, set spindle flag 1 on the channel setting screen of the graph window, and make the following settings on the GraphSetting screen.



2.3 RIGID TAPPING (OPTIONAL FUNCTION)

2.3.1 Start-up Procedure



2.3.2 Overview

Rigid tapping is a function for performing high-precision tapping by exercising position control so that the spindle rotation is synchronized with tapping axis feed at all times.

This Subsection describes the specifications of the rigid tapping function related to the serial spindle.

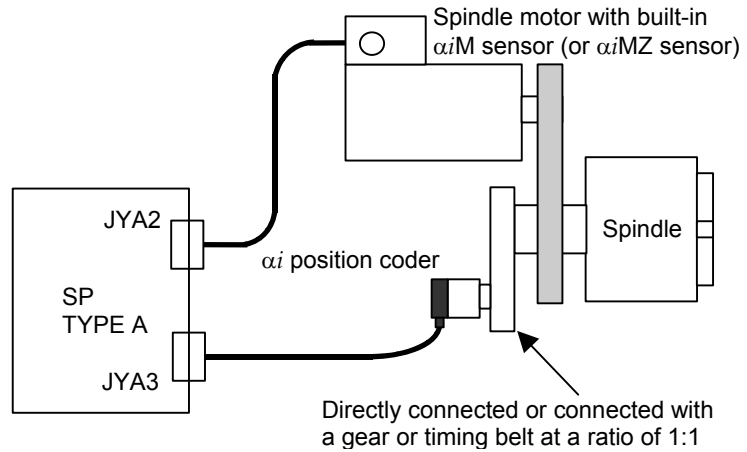
NOTE

To use this function, the CNC software option is required.

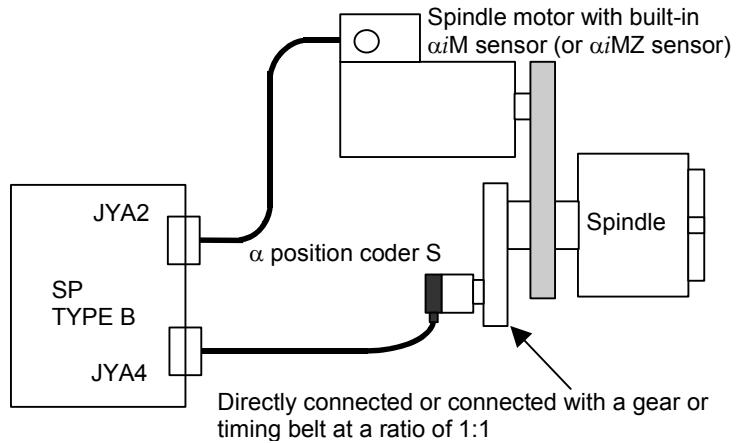
2.3.3 System Configuration

The system configurations that enable the use of rigid tapping are shown below.

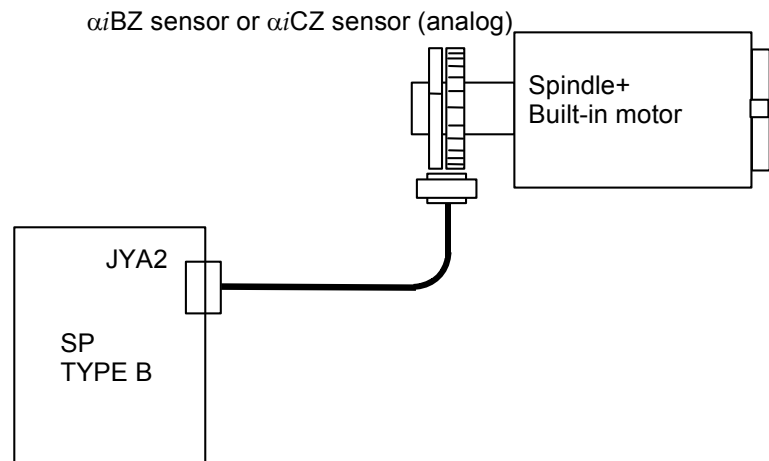
(1) When the αi position coder is used



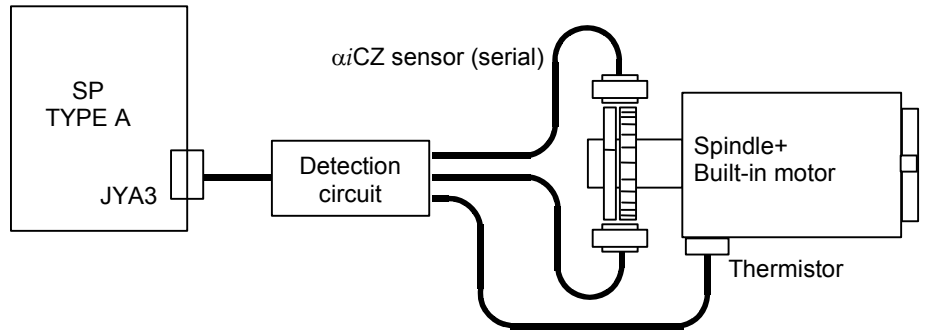
(2) When the αi position coder S is used



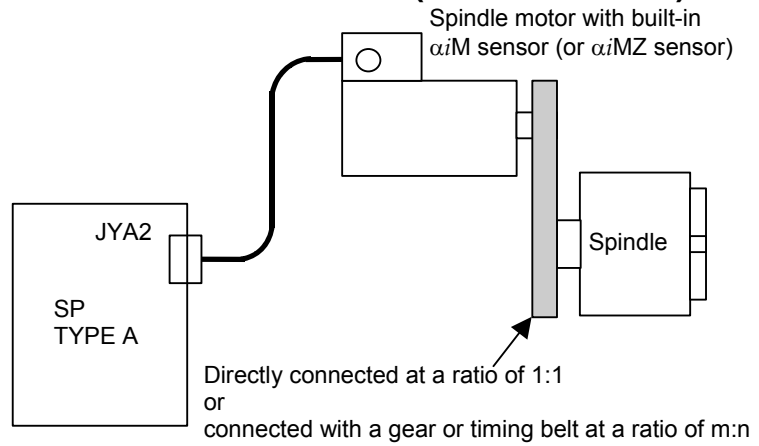
(3) When the built-in motor (αiBZ sensor or αiCZ sensor (analog)) is used



(4) When the built-in motor (αi CZ sensor (serial)) is used



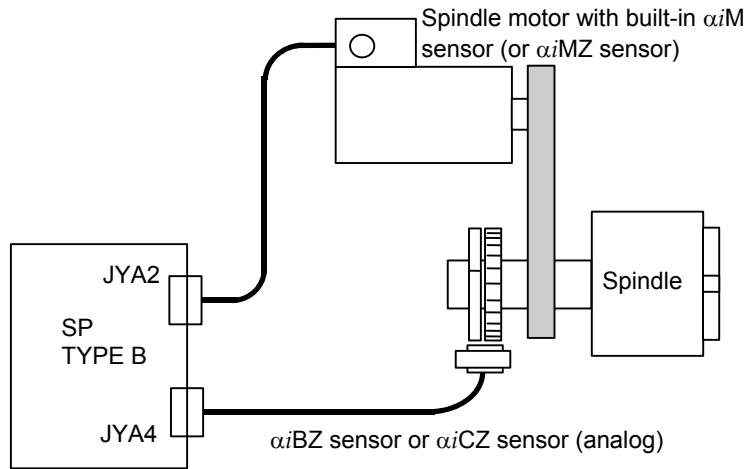
(5) When the spindle motor with built-in αi M sensor (or αi MZ sensor) is used



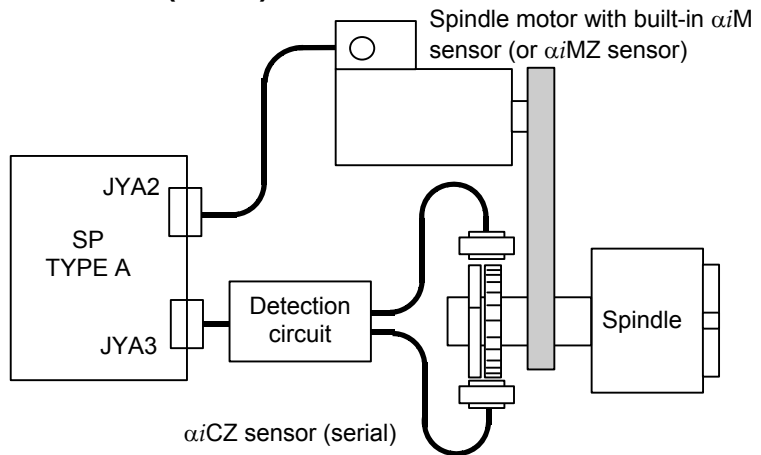
NOTE

- 1 When performing rigid tapping by using a signal from the sensor built into the motor as a position feedback signal, use one of the following functions if the gear ratio between the motor and spindle is other than 1:1
 - (a) Detection arbitrary gear ratio function (DMR function)
 - (b) Command arbitrary gear ratio function (CMR function)
- 2 When using the detection arbitrary gear ratio function (DMR function), set the following:
 - Parameters (No. 4171 to No. 4174) for the numerator/denominator of an arbitrary gear ratio between the motor sensor and spindle
- 3 When using the detection arbitrary gear ratio function (DMR function) with a motor containing a built-in α iMZ sensor, set bit 6 of No. 4007 to 1 so that the alarms related to the position feedback signal (when non-Cs contouring control is exercised) are not detected.
- 4 When using the command arbitrary gear ratio function (CMR function) with FS16i, set the following:
 - Enable the setting of an arbitrary gear ratio between the spindle and position coder (bit 1 of No. 5200 = 1).
 - Enable the setting of the command arbitrary gear ratio function (CMR) on rigid tapping (bit 7 of No. 4006 = 1).
 - Set the parameters for specifying the number of gear teeth on the spindle side (No. 5221 to No. 5224).
 - Set the parameters for specifying the number of gear teeth on the position coder side (No. 5231 to No. 5234).
- 5 Reference position return can be performed when a motor with a built-in α iMZ sensor is used and the spindle is directly connected to the motor or the spindle is connected to the motor at a ratio of 1:1.

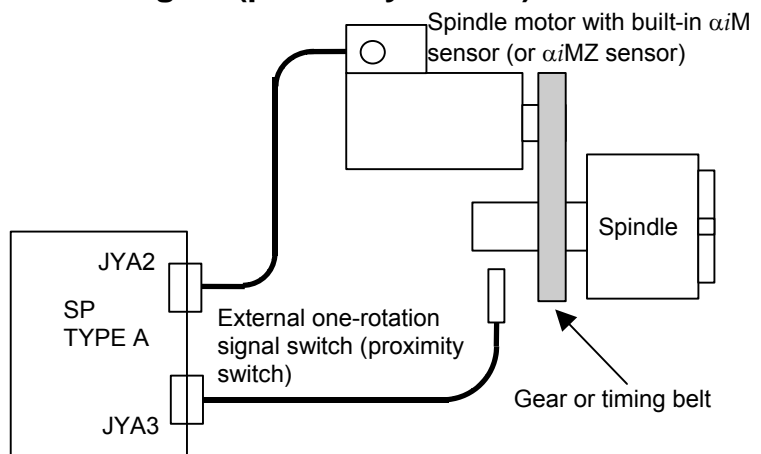
(6) When the separate type α iBZ sensor or separate type α iCZ sensor (analog) is used



(7) When the separate type α iCZ sensor (serial) is used



(8) When the external one-rotation signal (proximity switch) is used



NOTE

- 1 When using the external one-rotation signal (proximity switch), use the detection arbitrary gear ratio function (DMR function).
- 2 When using the detection arbitrary gear ratio function (DMR function), set the following:
 - Parameters (No. 4171 to No. 4174) for the numerator/denominator of an arbitrary gear ratio between the motor sensor and spindle
- 3 Set the type of the external one-rotation signal (proximity switch) (bits 3 and 2 of No. 4004).
- 4 For stable detection of the one-rotation signal, set a reference position return speed (No. 4074) from 50 to 100 min^{-1} according to the specification of the used external one-rotation signal (proximity switch).
- 5 When orientation based on the external one-rotation signal is used together, match the reference position return speed and direction with the orientation speed and direction.

2.3.4 List of I/O Signals (CNC↔PMC)

This Subsection provides a list of the I/O signals related to rigid tapping only. For details of each signal, refer to the Connection Manual (Function) of each CNC.

- (a) For Series 16i/18i/21i
 “FANUC Series 16i/18i/21i-MODEL B
 CONNECTION MANUAL (FUNCTION) : B-63523EN-1
 Refer to Section 9.11, “RIGID TAPPING.”
- (b) For Series 30i/31i/32i
 “FANUC Series 30i/31i/32i-MODEL A
 CONNECTION MANUAL (FUNCTION) : B-63943EN-1
 Refer to Section 11.11, “RIGID TAPPING.”
- (c) For Series 15i
 “FANUC Series 15i-MODEL B
 CONNECTION MANUAL (FUNCTION) : B-63783EN-1
 Refer to Section 9.8, “RIGID TAPPING.”
- (d) For Series 0i
 “FANUC Series 0i-MODEL C
 CONNECTION MANUAL (FUNCTION) : B-64113EN-1
 Refer to Section 9.10, “RIGID TAPPING.”

For details of the I/O signals common to the CNCs, see Chapter 3, “I/O SIGNALS (CNC↔PMC)”, in Part I.

(1) Input signals (PMC→CNC)

(a) Series 16i

	#7	#6	#5	#4	#3	#2	#1	#0
G027							SWS2 (*1)	SWS1 (*1)
G028						GR2	GR1	
G029								GR21 (*2)
G061								RGTAP

NOTE

- 1 The rigid tapping of the second spindle is available by the multi-spindle control function.
 When SWS1 is set to 1 (regardless of whether SWS2 is set to 0 or 1), rigid tapping is performed using the 1st spindle. When SWS1 is set to 0, and SWS2 is set to 1, rigid tapping is performed using the 2nd spindle.
- 2 This signal is used when the rigid tapping of the second spindle.
 According to the GR21 signal, the individual gear parameters for gear 1 or 2, also used for the 1st spindle, are selected.

(b) Series 30i

	#7	#6	#5	#4	#3	#2	#1	#0
G027							SWS2 (*1)	SWS1 (*1)
G028						GR2	GR1	
G029							GR22 (*2)	GR21 (*2)
G061								RGTAP

NOTE

1 The rigid tapping of the second spindle is available by the multi-spindle control function. When SWS1 is set to 1 (regardless of whether SWS2 is set to 0 or 1), rigid tapping is performed using the 1st spindle. When SWS1 is set to 0, and SWS2 is set to 1, rigid tapping is performed using the 2nd spindle.

2 This signal is used when the rigid tapping of the second spindle.

(c) Series 15i

	#7	#6	#5	#4	#3	#2	#1	#0
1st- G026								SPSTPA
2nd- G272								SPSTPB

(d) Common to CNCs

	15i	16i	30i	#7	#6	#5	#4	#3	#2	#1	#0
1st- G227	G070	G070	G070			SFRA	SRVA	CTH1A	CTH2A		
2nd- G235	G074	G074	G074			SFRB	SRVB	CTH1B	CTH2B		

(2) Output signals (CNC→PMC)

(a) Series 16i

	#7	#6	#5	#4	#3	#2	#1	#0
F034						GR30 (*1)	GR20 (*1)	GR10 (*1)
F065							RGSPM (*1)	RGSP (*1)
F075					RTAP			

NOTE

*1 These signals are effective when M series.

(b) Series 30i

	#7	#6	#5	#4	#3	#2	#1	#0
F034						GR30 (*1)	GR20 (*1)	GR10 (*1)
F065							RGSPM (*1)	RGSP (*1)
F075					RTAP			

NOTE
*1 These signals are effective when M series.

(c) Series 15i

	#7	#6	#5	#4	#3	#2	#1	#0
F040				RTAP				
F155						RSPC	RSPM	RSPP

2.3.5 Sequence

For a rigid tapping sequence, refer to the Connection Manual (Function) of each CNC.

- (a) For Series 16i/18i/21i
“FANUC Series 16i/18i/21i-MODEL B
CONNECTION MANUAL (FUNCTION) : B-63523EN-1
Refer to Section 9.11, “RIGID TAPPING.”
- (b) For Series 30i/31i/32i
“FANUC Series 30i/31i/32i-MODEL A
CONNECTION MANUAL (FUNCTION) : B-63943EN-1
Refer to Section 11.11, “RIGID TAPPING.”
- (c) For Series 15i
“FANUC Series 15i-MODEL B
CONNECTION MANUAL (FUNCTION) : B-63783EN-1
Refer to Section 9.8, “RIGID TAPPING.”
- (d) For Series 0i
“FANUC Series 0i-MODEL C
CONNECTION MANUAL (FUNCTION) : B-64113EN-1
Refer to Section 9.10, “RIGID TAPPING.”

2.3.6 Related Parameters

Parameter No.			Description	
15i	16i	30i		
-	5210	5210	M code of rigid tapping command	
5606#6	5202#0 (M series only)	5202#0	Whether to perform orientation (reference position return) when starting rigid tapping	
-	3706#1,0 3707#1,0	-	Gear ratio between spindle and position coder, 1:1, 1:2, 1:4, 1:8	
5842	-	3720	Number of pulse of the position coder	
-	5200#1	-	Selection of arbitrary gear ratio between spindle and position coder	
5852 5855 5858 5861	5221 5222 5223 5224	5221 5222 5223 5224	Teeth number of spindle side at arbitrary gear ratio (command) setting (16i/30i: No. 5224 is used for the T series only.)	
5851 5854 5857 5860	5231 5232 5233 5234	5231 5232 5233 5234		
3065 to 3068	5280 5281 to 5284	5280 5281 to 5284		Position gain of tapping axis at rigid tapping (16i/30i: No. 5284 is used for the T series only.)
5605#1	-	-		Acc/Dec type (Set to 1.)
5711	5241 5242 5243 5244	5241 5242 5243 5244	Spindle maximum speed at rigid tapping (16i/30i: No. 5244 is used for the T series only.)	
5605#2 5757 5886 5889 5892	- - - - -	- - - - -		
5605#2 5751 5886 5889 5892	5261 5262 5263 5264	5261 5262 5263 5264		Acc/Dec time constant (16i/30i: No. 5264 is used for the T series only.)
5605#2 5752 5885 5888 5891 5894	- - - - -	- - - - -		FL speed for spindle and drilling axis acceleration/deceleration on rigid tapping
-	5200#4	5200#4	Override selection at extracting	
5883	5211	5211	Override value at extracting	
-	5201#2 5271 to 5274	5201#2 5271 to 5274	Time constant at extracting (No. 5274 is used for the T series only.)	
-	-	5203#2	Feed-forward function at rigid tapping	
1827	5300	5300	In-position width of tapping axis	
5875	5301	5301	In-position width of spindle	
1837	5310 5341	5310	Allowable level of position error of tapping axis at moving	
5876	5311	5311	Allowable level of position error of spindle at moving	
1829	5312	5312	Allowable level of position error of tapping axis at stop	
5877	5313	5313	Allowable level of position error of spindle at stop	

Parameter No.			Description
15i	16i	30i	
5853 5856 5859 5862	5321 to 5324	5321 to 5324	Backlash of spindle (16i: No. 5322 and No. 5324 are used for the T series only. 30i: No. 5324 is used for the T series only.)
-	5203#5	5203#5	Selection of the bell-shaped acceleration/deceleration function for rigid tapping (the CNC software option (bell-shaped acceleration/deceleration for rigid tapping) is required.)
- - - -	5365 5366 5367	5365 5366 5367 5368	Bell-shaped acceleration/deceleration time constant for rigid tapping (For the 16i, the relevant parameters are valid with the M series only. For the 30i, parameter No. 5368 is valid with the T series only.)
3000#4	4000#4	4000#4	Reference position return direction on servo mode
3002#5	4002#5	4002#5	Whether to enable the rotation direction signal (SFR/SRV) on servo mode
3006#7	4006#7	4006#7	Setting of the command arbitrary gear ratio function (CMR) on rigid tapping
3016#4	4016#4	4016#4	Setting related to the motor voltage control characteristics on Cs contouring control or servo mode
-	-	4037	Velocity loop feed-forward coefficient
3044 3045	4044 4045	4044 4045	Velocity loop proportional gain on servo mode/spindle synchronous control (It is selected by input signal CTH1A/B.)
3052 3053	4052 4053	4052 4053	Velocity loop integral gain on servo mode/spindle synchronous control (It is selected by input signal CTH1A/B.)
3056 to 3059	4056 to 4059	4056 to 4059	Gear ratio between spindle and motor (It is selected by input signal CTH1A or CTH2A)
3065 to 3068	4065 to 4068	4065 to 4068	Spindle position gain on servo mode/spindle synchronous control (It is selected by input signal CTH1A or CTH2A)
3073	4073	4073	Grid shift amount on servo mode
3074	4074	4074	Reference position return speed on Cs contouring control/servo mode
3091	4091	4091	Position gain change ratio at reference position return time on servo mode
3085	4085	4085	Motor voltage (for high-speed characteristics) on servo mode/spindle synchronous control
3137	4137	4137	Motor voltage (for low-speed characteristics) on servo mode/spindle synchronous control
3099	4099	4099	Delay time for stable motor excitation
3171 3173	4171 4173	4171 4173	Denominator of an arbitrary gear ratio between the motor sensor and spindle (A parameter is selected by the input signal CTH1A.)
3172 3174	4172 4174	4172 4174	Numerator of an arbitrary gear ratio between the motor sensor and spindle (A parameter is selected by the input signal CTH1A.)
-	-	4344	Advanced preview feed-forward coefficient
3406	4406	4406	Acceleration/deceleration time constant for Cs contouring control/servo mode

NOTE

- 1 For the parameters related to detectors, see Section 1.3, "PARAMETERS RELATED TO DETECTORS" in the Part I.
- 2 For velocity loop proportional/integral gain adjustment, see Section 4.1, "VELOCITY LOOP GAIN ADJUSTMENT", in Part I.

2.3.7 Details of Related Parameters

This Subsection details the serial spindle parameters (in the four thousands for 16*i*, and in the four thousands for 30*i*, and in the three thousands for 15*i*) among the parameters related to rigid tapping. For details of other parameters, refer to the Connection Manual (Function) of each CNC.

- (a) For Series 16*i*/18*i*/21*i*
 “FANUC Series 16*i*/18*i*/21*i*-MODEL B
 CONNECTION MANUAL (FUNCTION) : B-63523EN-1
 Refer to Section 9.11, “RIGID TAPPING.”
- (b) For Series 30*i*/31*i*/32*i*
 “FANUC Series 30*i*/31*i*/32*i*-MODEL A
 CONNECTION MANUAL (FUNCTION) : B-63943EN-1
 Refer to Section 11.11, “RIGID TAPPING.”
- (c) For Series 15*i*
 “FANUC Series 15*i*-MODEL B
 CONNECTION MANUAL (FUNCTION) : B-63783EN-1
 Refer to Section 9.8, “RIGID TAPPING.”
- (d) For Series 0*i*
 “FANUC Series 0*i*-MODEL C
 CONNECTION MANUAL (FUNCTION) : B-64113EN-1
 Refer to Section 9.10, “RIGID TAPPING.”

15 <i>i</i>	16 <i>i</i>	30 <i>i</i>	#7	#6	#5	#4	#3	#2	#1	#0
3000	4000	4000				RETSV				

RETSV Reference position return direction on servo mode (rigid tapping/spindle positioning)
 0 : The spindle performs a reference position return operation in the CCW(counter-clockwise) direction.
 1 : The spindle performs a reference position return operation in the CW(clockwise) direction.

15 <i>i</i>	16 <i>i</i>	30 <i>i</i>	#7	#6	#5	#4	#3	#2	#1	#0
3002	4002	4002			SVMDRT					

SVMDRT Whether to enable the rotation direction signal (SFR/SRV) function on servo mode (rigid tapping/spindle positioning)
 0 : Enables the rotation direction function.
 If a move command from the CNC is positive (+),
 (a) The spindle rotates in the CCW direction when the input signal SFR (bit 5 of G70) = 1.
 (b) The spindle rotates in the CW direction when the input signal SRV (bit 4 of G70) = 1.
 1 : Disables the rotation direction function.
 If a move command from the CNC is positive (+), the spindle rotates in the CCW direction when the input signal SFR = 1 or SRV = 1.

15i	16i	30i	#7	#6	#5	#4	#3	#2	#1	#0
3006	4006	4006	RGTCMR							

RGTCMR Sets the command arbitrary gear ratio function (CMR) on rigid tapping.

0 : Disables the command arbitrary gear ratio function.

1 : Enables the specified arbitrary gear ratio function.

Set this parameter to 1 when rigid tapping is performed using a signal from the sensor built-into the motor as a position feedback signal and the gear ratio between the motor and spindle is other than 1:1.

When using the command arbitrary gear ratio function (CMR function), set the following as well:

- Enabling an arbitrary gear ratio between the spindle and position coder (bit 1 of No. 5200 = 1)
- Parameters for the number of gear teeth on the spindle side (No. 5221 to No. 5224)
- Parameters for the number of gear teeth on the position coder side (No. 5231 to No. 5234)

15i	16i	30i	#7	#6	#5	#4	#3	#2	#1	#0
3016	4016	4016				IDLPTN				

IDLPTN Setting related to the motor voltage control characteristics on Cs contouring control or servo mode (rigid tapping)

Set this bit to 1 when setting a value less than 100 as the motor voltage on Cs contouring control (No. 4086) or as the motor voltage on servo mode (No. 4085).

-	-	30i	Velocity loop feed-forward coefficient							
-	-	4037								

Unit of data :

Valid data range : 0 to 32767

Standard setting value : 0

This parameter sets a velocity loop feed-forward coefficient for using feed-forward control. Set the result of calculation of the following expression:

$$\text{Setting} = 214466 \times \frac{[\text{spindle inertia} + \text{rotor inertia}](\text{kg}\cdot\text{m}^2)}{\text{Maximum motor torque (N}\cdot\text{m)}}$$

15i 16i 30i

3044 4044 4044

Velocity loop proportional gain on servo mode/spindle synchronous control (HIGH)	CTH1A=0
---	----------------

3045 4045 4045

Velocity loop proportional gain on servo mode/spindle synchronous control (LOW)	CTH1A=1
--	----------------

Unit of data :
Valid data range : 0 to 32767
Standard setting value : 10

These parameters set a velocity loop proportional gain on servo mode (rigid tapping/spindle positioning) or spindle synchronous control. When the input signal CTH1A = 0, (HIGH) is selected. When the input signal CTH1A = 1, (LOW) is selected.

15i 16i 30i

3052 4052 4052

Velocity loop integral gain on servo mode/spindle synchronous control (HIGH)	CTH1A=0
---	----------------

3053 4053 4053

Velocity loop integral gain on servo mode/spindle synchronous control (LOW)	CTH1A=1
--	----------------

Unit of data :
Valid data range : 0 to 32767
Standard setting value : 10

These parameters set a velocity loop integral gain on servo mode (rigid tapping/spindle positioning) or spindle synchronous control. When the input signal CTH1A = 0, (HIGH) is selected. When the input signal CTH1A = 1, (LOW) is selected.

15i 16i 30i

3056 4056 4056

Gear ratio (HIGH)	CTH1A=0, CTH2A=0
--------------------------	-------------------------

3057 4057 4057

Gear ratio (MEDIUM HIGH)	CTH1A=0, CTH2A=1
---------------------------------	-------------------------

3058 4058 4058

Gear ratio (MEDIUM LOW)	CTH1A=1, CTH2A=0
--------------------------------	-------------------------

3059 4059 4059

Gear ratio (LOW)	CTH1A=1, CTH2A=1
-------------------------	-------------------------

Unit of data : (Motor rotation for one rotation of spindle) / 100
(When parameter No. 4006 #1 (GRUNIT) is 1, motor rotation / 1000)
Valid data range : 0 to 32767
Standard setting : 100

These data are used to set the gear ratio between spindle and spindle motor.

Example :

When the spindle rotates once, set "250" as the data when the motor rotates 2.5 times.

A parameter is selected with the CTH1A and CTH2A input signals. Set the gear or clutch status to correspond to the clutch/gear signal (CTH1A, CTH2A) in input signals.

NOTE
 When an improper value is set in these parameters, an unexpected operation can occur. For example, the spindle can continue rotating without stopping at the time of orientation. So, be sure to set a proper gear ratio.

15i 16i 30i
 3065 4065 4065
 3066 4066 4066
 3067 4067 4067
 3068 4068 4068

Spindle position gain on servo mode/spindle synchronous control (HIGH)	CTH1A=0, CTH2A=0
Spindle position gain on servo mode/spindle synchronous control (MEDIUM HIGH)	CTH1A=0, CTH2A=1
Spindle position gain on servo mode/spindle synchronous control (MEDIUM LOW)	CTH1A=1, CTH2A=0
Spindle position gain on servo mode/spindle synchronous control (LOW)	CTH1A=1, CTH2A=1

Unit of data : 0.01sec⁻¹
 Valid data range : 0 to 32767
 Standard setting value : 1000

These parameters set a position gain on servo mode (rigid tapping/spindle positioning) or spindle synchronous control. A parameter is selected according to the input signals CTH1A and CTH2A.

15i 16i 30i
 3073 4073 4073

Grid shift amount on servo mode
--

Unit of data : 1 pulse unit (360 degrees/4096)
 Valid data range : 0 to 4095
 Standard setting value : 0

This parameter is used to shift the reference position on servo mode (rigid tapping/spindle positioning). The reference position of the spindle is shifted in the CCW direction by the specified number of pulses.

15i 16i 30i
3074 4074 4074

Reference position return speed on Cs contouring control/servo mode

Unit of data : 1min⁻¹
Valid data range : 0 to 32767
Standard setting value : 0

- When 0 is set
The orientation speed is the reference position return speed in servo mode (rigid tapping/spindle positioning).

Reference position return speed (motor speed) =

$$60 \times \frac{\text{Position gain}}{100} \times \text{Gear ratio} \times \frac{\text{Speed limit ratio}}{100} \text{ [min}^{-1}\text{]}$$

- When a value other than 0 is set
The value set in this parameter is used as a reference position return speed on servo mode (rigid tapping/spindle positioning).

NOTE
When using the external one-rotation signal (proximity switch), set a reference position return speed from 50 to 100 min⁻¹ according to the specification of the used external one-rotation signal (proximity switch) for stable detection of the one-rotation signal.

15i 16i 30i
3085 4085 4085

3137 4137 4137

Motor voltage (for high-speed characteristics) on servo mode/ spindle synchronous control

Motor voltage (for low-speed characteristics) on servo mode/ spindle synchronous control

Unit of data : 1%
Valid data range : 0 to 100
Standard setting value : Depends on the motor model.

These parameters set a motor voltage on servo mode (rigid tapping, spindle positioning, and so forth) and spindle synchronous control. When performing rigid tapping, set "100" usually. When the maximum speed for rigid tapping (in terms of motor axis) is higher than the base speed of the spindle motor (No. 4100 for high-speed characteristics and No. 4138 for low-speed characteristics), set a value less than "100" as the motor voltage for rigid tapping (No. 4085 for high-speed characteristics and No. 4137 for low-speed characteristics), according to the following expression:

Motor voltage (%) =

$$100 \times \frac{\text{Spindle motor base speed}}{\text{Maximum speed for rigid tapping (in terms of motor axis)}}$$

In this case, also set bit 4 of parameter No. 4016 to "1" as the setting of motor voltage control characteristics on rigid tapping.

15i 16i 30i
3091 4091 4091

Position gain change ratio at reference position return time on servo mode

Unit of data : 1%
Valid data range : 0 to 100
Standard setting value : 100

This parameter sets a position gain change ratio at reference position return time on servo mode (rigid tapping, spindle positioning, and so forth).

NOTE

An overshoot can occur at reference position return time for a cause such as an excessively high reference position return speed and an excessively large spindle inertia. In this case, an overshoot can be avoided by setting a small value in this parameter.

15i 16i 30i
3099 4099 4099

Delay time for stable motor excitation

Unit of data : 1ms
Valid data range : 0 to 32767
Standard setting value : 0

This parameter sets a period of time required until motor excitation becomes stable at the time of switching to rigid tapping or Cs contouring control.

NOTE

In switching from the velocity control mode to rigid tapping mode, the stop time excessive error alarm can be issued intermittently.

This is because the excitation state of the spindle motor changes abruptly, and therefore a transient state occurs in the motor, thus moving the motor shaft slightly.

In such a case, set this parameter. In general, set a value from about 300 to 400 (300 to 400 msec).

15i 16i 30i
3171 4171 4171
3172 4172 4172
3173 4173 4173
3174 4174 4174

Denominator of an arbitrary gear ratio between the motor sensor and spindle (HIGH)	CTH1A=0
Numerator of an arbitrary gear ratio between the motor sensor and spindle (HIGH)	CTH1A=0
Denominator of an arbitrary gear ratio between the motor sensor and spindle (LOW)	CTH1A=1
Numerator of an arbitrary gear ratio between the motor sensor and spindle (LOW)	CTH1A=1

Unit of data :
Valid data range : 0 to 32767
Standard setting value : 0

These parameters set conversion coefficients (numerator, denominator) for using the detection arbitrary gear ratio function (DMR function) by multiplying a motor sensor (αiM sensor or αiMZ sensor) feedback signal by a gear ratio to produce a spindle position feedback signal.

When the spindle rotates Q times while the motor shaft rotates P times (there is no common divisor other than 1 for P and Q), the settings are:

No. 4171 (No. 4173 when CTH1A = 1) = P

No. 4172 (No. 4174 when CTH1A = 1) = Q

When 0 is set in any of these parameters, the setting of 1 is assumed.

NOTE

When using the external one-rotation signal (proximity switch), use the detection arbitrary gear ratio function (DMR function) by setting an arbitrary gear ratio between the motor sensor and spindle with this parameter.

15i 16i 30i
- - 4344

Advanced preview feed-forward coefficient

Unit of data : 0.01%
Valid data range : 0 to 10000
Standard setting value : 0

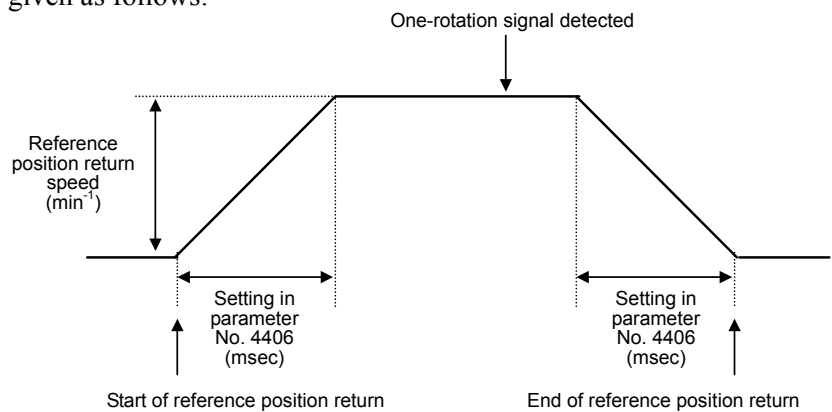
This parameter sets a feed-forward coefficient for using feed-forward control. Set the same value as for the servo axis simultaneously subjected to interpolation.

15i 16i 30i
3406 4406 4406

Acceleration/deceleration time constant for reference position return on Cs contouring control/servo mode

Unit of data : 1msec
Valid data range : 0 to 32767
Standard setting : 0

This parameter sets a reference position return acceleration for Cs contouring control or servo mode (rigid tapping/spindle positioning). Use of this parameter can reduce the shock due to acceleration/deceleration during return to the reference position. The spindle speed command during return to the reference position is then given as follows:



NOTE

- 1 When 0 is set in this parameter, a velocity command is assumed as follows.
 - Before detecting the one-rotation signal: Reference position return speed (step-type velocity command)
 - After detecting the one-rotation signal: Distance to the reference position × Position gain
- 2 This parameter is enabled when soft start/stop signal SOCNA is 1.

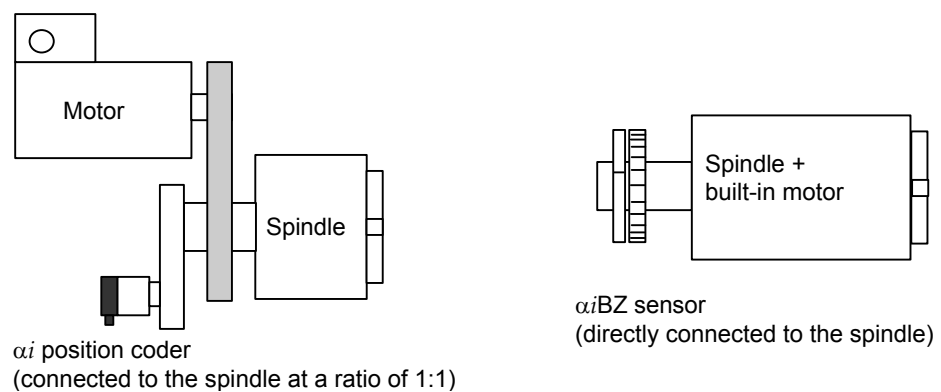
2.3.8 Parameter Setting Procedure

(1) Command arbitrary gear ratio (CMR)

- (a) For a configuration in which the sensor built into the motor is used for position detection and the gear ratio between the spindle and motor is not 1:1, as shown in sample system configuration 2 below, the command arbitrary gear ratio (CMR) is used.

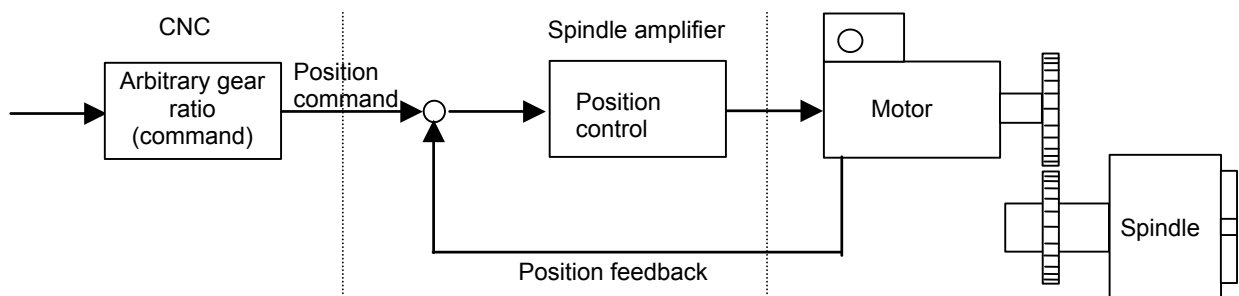
[Sample system configuration 1]

When the position detector is connected to the spindle at a ratio of 1:1, the command arbitrary gear ratio (CMR) function is not used.



[Sample system configuration 2]

When the sensor built into the motor is used as the position detector in a configuration in which the gear ratio between the spindle and motor is not 1:1, the command arbitrary gear ratio (CMR) function is used.

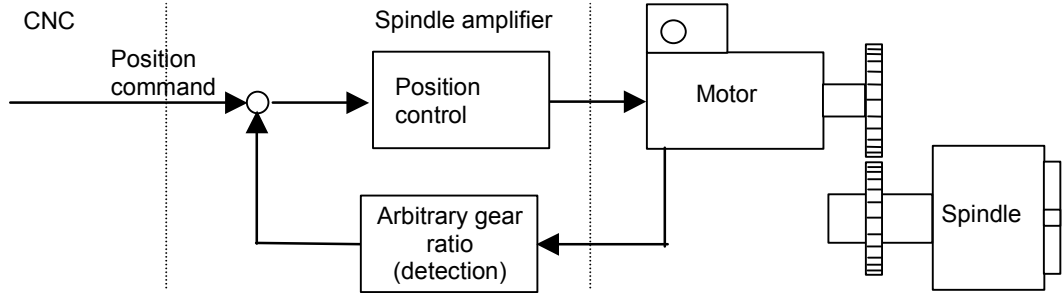


NOTE

This system configuration also enables the detection arbitrary gear ratio function (DMR function) to be used.

[Sample system configuration 3]

When orientation by the external one-rotation signal is used in a configuration in which the gear ratio between the spindle and motor is not 1:1, the detection arbitrary gear ratio function (DMR function) is used, and the command arbitrary gear ratio function (CMR function) is not used.



(b) To use the command arbitrary gear ratio (CMR), set the following parameters:

15i	16i	30i	Setting data
3006#7	4006#7	4006#7	1

- 0 : The command arbitrary gear ratio (CMR) is not used.
- 1 : Rigid tapping is performed using the command arbitrary gear ratio (CMR) with the sensor built into the motor.

(c) Set the parameters to enable the command arbitrary gear ratio (arbitrary gear ratio between the spindle and position coder).

15i	16i	30i	Setting data
-	5200#1	-	1

(d) Set the parameter “the arbitrary gear ratio between the spindle and the position coder” according to each CNC.

[Series 16i]

- (1) Set the gear teeth number of the spindle side.
 Each parameter is selected according to the gear selection signal.
 Standard machining [M series] : GR30, GR20, GR10
 Turning [T series] and machining [M series] with surface speed constant option : GR2, GR1
 Second spindle of turning [T series] : GR21
 (Multi-spindle control option is needed)

Gear signal			Parameter No.
GR10	GR20	GR30	
1	0	0	5221
0	1	0	5222
0	0	1	5223

Gear signal			Parameter No.	
1st. sp		2nd. sp		
GR1	GR2	GR21	T series	M series
0	0	0	5221	
1	0	1	5222	
0	1	-	5223	
1	1	-	5224	5223

- (2) Set the gear teeth number of the position coder side.
 Each parameter is selected according to the gear selection signal.
 Standard machining [M series]: GR30, GR20, GR10
 Turning [T series] and machining[M series] with surface speed constant option : GR2, GR1
 Second spindle of turning [T series] : GR21
 (Multi- spindle control option is needed)

Standard machining [M series]

Gear signal			Parameter No.
GR10	GR20	GR30	
1	0	0	5231
0	1	0	5232
0	0	1	5233

Turning [T series] and machining [M series] with surface speed constant

Gear signal			Parameter No.	
1st. sp		2nd. sp	T series	M series
GR1	GR2	GR21		
0	0	0	5231	
1	0	1	5232	
0	1	-	5233	
1	1	-	5234	5233

[Series 30i]

- (1) Set the gear teeth number of the spindle side.
 Each parameter is selected according to the gear selection signal.
 Standard machining [M series] : GR30, GR20, GR10
 Turning [T series] and machining [M series] with surface speed constant option : GR2, GR1
 Second spindle : GR21, GR21
 (Multi-spindle control option is needed)

Standard machining [M series]

Gear signal			Parameter No.
GR10	GR20	GR30	
1	0	0	5221
0	1	0	5222
0	0	1	5223

Turning [T series] and machining [M series] with surface speed constant

Gear signal		Parameter No.	
GRs1*	GRs2*	T series	M series
0	0	5221	
1	0	5222	
0	1	5223	
1	1	5224	5223

* First spindle: GR1, GR2 / Second spindle: GR21, GR22

- (2) Set the gear teeth number of the position coder side.
 Each parameter is selected according to the gear selection signal.
 Standard machining [M series]: GR30, GR20, GR10
 Turning [T series] and machining[M series] with surface speed constant option: GR2, GR1
 Second spindle : GR21, GR21
 (Multi-spindle control option is needed)

Standard machining [M series]

Gear signal			Parameter No.
GR10	GR20	GR30	
1	0	0	5231
0	1	0	5232
0	0	1	5233

Turning [T series] and machining [M series] with surface speed constant

Gear signal		Parameter No.	
GRs1*	GRs2*	T series	M series
0	0	5231	
1	0	5232	
0	1	5233	
1	1	5234	5233

* First spindle: GR1, GR2 / Second spindle: GR21, GR22

[Series 15i]

Gear signal		Parameter No.	
CTH1A	CTH2A	Gear teeth number of spindle side	Gear teeth number of position coder side
0	0	5852	5851
0	1	5855	5854
1	0	5858	5857
1	1	5861	5860

(2) Gear ratio between the spindle and the motor

The loop gain constant (position gain constant) parameter is not used in the αi series (serial) spindle system.

“Gear ratio between the spindle and the motor” parameter should be set instead of it.

Each parameter is selected according to the gear selection signal (CTH1A/B, CTH2A/B).

[1st. sp]

Gear signal		Parameter No.		
CTH1A	CTH2A	15i	16i	30i
0	0	3056 (S1)	4056 (S1)	4056 (S1)
0	1	3057 (S1)	4057 (S1)	4057 (S1)
1	0	3058 (S1)	4058 (S1)	4058 (S1)
1	1	3059 (S1)	4059 (S1)	4059 (S1)

[2nd. sp]

Gear signal		Parameter No.		
CTH1B	CTH2B	15i	16i	30i
0	0	3056 (S2)	4056 (S2)	4056 (S2)
0	1	3057 (S2)	4057 (S2)	4057 (S2)
1	0	3058 (S2)	4058 (S2)	4058 (S2)
1	1	3059 (S2)	4059 (S2)	4059 (S2)

(3) Position gain

In rigid tapping, the tapping axis and spindle are controlled to be synchronized. So, the position gains of the tapping axis and spindle must be set to the same value.

[Series 16i]

The position gain parameter of the tapping axis in the rigid tapping is selected as follows according to the gear selection signal.

Standard machining [M series]: GR30, GR20, GR10

Turning [T series] and machining [M series] with surface speed constant option : GR2, GR1

Second spindle of turning [T series]: GR21 (Multi-spindle control option is needed)

Standard machining [M series]

Gear signal			Parameter No.
GR10	GR20	GR30	
			5280 ^(*)
1	0	0	5281
0	1	0	5282
0	0	1	5283

Turning [T series] and machining [M series] with surface speed constant

Gear signal			Parameter No.	
1st. sp		2nd. sp		
GR1	GR2	GR21	T series	M series
			5280 ^(*)	
0	0	0	5281	
1	0	1	5282	
0	1		5283	
1	1		5284	5283

NOTE

*1 When this parameter is "0", each gear parameter becomes valid.
When this parameter is not "0", each gear parameter becomes invalid, and this parameter is always used.

The position gain parameter of the spindle in the rigid tapping is selected as follows according to the gear selection signal (CTH1A/B, CTH2A/B). (This is common T series and M series)

[1st. sp]

Gear signal		Parameter No.
CTH1A	CTH2A	
0	0	4065 (S1)
0	1	4066 (S1)
1	0	4067 (S1)
1	1	4068 (S1)

[2nd. sp]

Gear signal		Parameter No.
CTH1B	CTH2B	
0	0	4065 (S2)
0	1	4066 (S2)
1	0	4067 (S2)
1	1	4068 (S2)

CAUTION

Take care to input the gear selection signal GR1, GR2, GR21, GR10, GR20, GR30 and CTH1A/B, CTH2A/B according to the real gear state in order to get the same position gain of the tapping axis and that of the spindle, because GR1, GR2, GR21, GR10, GR20, GR30 and CTH1A/B, CTH2A/B are inputted independently.

[Series 30i]

The position gain parameter of the tapping axis in the rigid tapping is selected as follows according to the gear selection signal.

Standard machining [M series]: GR30, GR20, GR10

Turning [T series] and machining [M series] with surface speed constant option : GR2, GR1

Second spindle : GR22, GR21 (Multi-spindle control option is needed)

Standard machining [M series]

Gear signal			Parameter No.
GR10	GR20	GR30	
1	0	0	5231
0	1	0	5232
0	0	1	5233

Turning [T series] and machining [M series] with surface speed constant

Gear signal		Parameter No.	
GRs1*	GRs2*	T series	M series
		5280 ^(*)	
0	0	5281	
1	0	5282	
0	1	5283	
1	1	5284	5283

* First spindle: GR1, GR2 / Second spindle: GR21, GR22

NOTE

*1 When this parameter is "0", each gear parameter becomes valid.
When this parameter is not "0", each gear parameter becomes invalid, and this parameter is always used.

The position gain parameter of the spindle in the rigid tapping is selected as follows according to the gear selection signal (CTH1A/B, CTH2A/B). (This is common T series and M series)

[1st. sp]

Gear signal		Parameter No.
CTH1A	CTH2A	
0	0	4065 (S1)
0	1	4066 (S1)
1	0	4067 (S1)
1	1	4068 (S1)

[2nd. sp]

Gear signal		Parameter No.
CTH1B	CTH2B	
0	0	4065 (S2)
0	1	4066 (S2)
1	0	4067 (S2)
1	1	4068 (S2)

CAUTION

Take care to input the gear selection signal GR1, GR2, GR21, GR22, GR10, GR20, GR30 and CTH1A/B, CTH2A/B according to the real gear state in order to get the same position gain of the tapping axis and that of the spindle, because GR1, GR2, GR21, GR22, GR10, GR20, GR30 and CTH1A/B, CTH2A/B are inputted independently.

[Series 15*i*]

In the rigid tapping, the same parameter address data is used for the position gain of the tapping axis and the spindle.
Each position gain is selected as follows according to the gear selection signal (CTH1A, CTH2A).

Gear signal		Parameter No.
CTH1A	CTH2A	
0	0	3065
0	1	3066
1	0	3067
1	1	3068

(4) Acceleration/deceleration time constant

[Series 16*i*]

- (1) Each parameter can be set for each gear and is selected according to the gear selection signal.
By setting the following parameter, the different time constant between the cutting in and cutting out (extracting) becomes available.

- 5201 #2** 0 : The same time constant between cutting in and out.
(No. 5261 to 5264)
1 : The different time constant between cutting in and out.
Cutting in : No. 5261 to 5264
Cutting out: No. 5271 to 5274

Standard Machining [M series]: GR30, GR20, GR10
Turning [T series] and Machining [M series] with surface speed constant : GR2, GR1
2nd. sp of Turning [T series] : GR21 (Multi- spindle control option is needed)

Standard machining [M series]

Gear signal			Time constant (Cutting in) Parameter No.	Time constant (Cutting out) Parameter No.	Spindle max. speed at rigid tapping Parameter No.
GR10	GR20	GR30			
1	0	0	5261	5271	5241
0	1	0	5262	5272	5242
0	0	1	5263	5273	5243

Turning [T series] and machining [M series] with surface speed constant

Gear signal			Time constant (Cutting in) Parameter No.	Time constant (Cutting out) Parameter No.	Spindle max. speed at rigid tapping Parameter No.	
1st. sp		2nd. sp			T series	M series
GR1	GR2	GR21				
0	0	0	5261	5271	5241	5241
1	0	1	5262	5272	5242	5242
0	1	-	5263	5273	5243	5243
1	1	-	5264 ^(*)	5274 ^(*)	5244 ^(*)	-

NOTE

*1 This is not available for Machining (M series).

(2) The override at extracting.

- 5200 #4** 0 : The override at extracting is not valid.
 1 : The override at extracting is valid.
 (Set override value at No. 5211)

[Series 30i]

(1) Each parameter can be set for each gear and is selected according to the gear selection signal.
 By setting the following parameter, the different time constant between the cutting in and cutting out (extracting) becomes available.

- 5201 #2** 0 : The same time constant between cutting in and out.
 (No. 5261 to 5264)
 1 : The different time constant between cutting in and out.
 Cutting in : No. 5261 to 5264
 Cutting out: No. 5271 to 5274

Standard Machining [M series]: GR30, GR20, GR10
 Turning [T series] and Machining [M series] with surface speed constant : GR2, GR1
 2nd. sp : GR21, GR21 (Multi- spindle control option is needed)

Standard machining [M series]

Gear signal			Time constant (Cutting in) Parameter No.	Time constant (Cutting out) Parameter No.	Spindle max. speed at rigid tapping Parameter No.
GR10	GR20	GR30			
1	0	0	5261	5271	5241
0	1	0	5262	5272	5242
0	0	1	5263	5273	5243

Turning [T series] and machining [M series] with surface speed constant

Gear signal		Time constant (Cutting in) Parameter No.	Time constant (Cutting out) Parameter No.	Spindle max. speed at rigid tapping Parameter No.	
				T series	M series
GRs1*	GRs2*				
0	0	5261	5271	5241	5241
1	0	5262	5272	5242	5242
0	1	5263	5273	5243	5243
1	1	5264 ^(*)	5274 ^(*)	5244 ^(*)	-

* First spindle: GR1, GR2 / Second spindle: GR21, GR22

NOTE

*1 This is not available for Machining (M series).

(2) The override at extracting.

5200 #4

- 0 : The override at extracting is not valid.
- 1 : The override at extracting is valid.
(Set override value at No. 5211)

[Series 15i]

(1) Acc/Dec type

5605 #1

- 0 : Exponential type Acc/Dec
- 1 : Linear type Acc/Dec

NOTE

Usually, linear type acceleration/deceleration (bit 1 of No. 5605 = 1) is used.

(2) Set Acc/Dec the time constant of the rigid tapping mode.

<1> The time constant is a fixed value if bit 2 of parameter No. 5605 = 0.

Acc/Dec time constant	5751
Spindle speed	5757

<2> When bit 2 of parameter No.5605 is set to 1, one of the four acceleration/deceleration time constants is selected, depending on the spindle speed.

	Spindle speed	Acc/Dec time constant
Gear 1	5886	5884
Gear 2	5889	5887
Gear 3	5892	5890
Gear 4	-	5893

2.3.9 Adjustment Procedure

(1) Parameters used for adjustment

The table below lists and describes the parameters used for adjusting rigid tapping.

Parameter No. (FS16i)	Description
5241 to 5244	Maximum spindle speed on rigid tapping (Depends on the GR signal. No.5244 is for the T series only.)
5261 to 5264	Acceleration/deceleration time constant on rigid tapping (Depends on the GR signal. No.5264 is for the T series only.)
5280 to 5284	Position gain of tapping axis on rigid tapping (No.5280 is for all gears. No.5281 to No.5284 depend on the GR signal. No.5284 is for T series only.)
4065 to 4068	Spindle position gain on rigid tapping (depends on CTH1A and CTH2A signals)
4044 to 4045	Velocity loop proportional gain on rigid tapping (depends on CTH1A signal)
4052 to 4053	Velocity loop integral gain on rigid tapping (depends on CTH1A signal)
4085	Motor voltage on rigid tapping (for high speed characteristics)
4137	Motor voltage on rigid tapping (for low speed characteristics)
4016#4	Motor voltage control characteristic settings on rigid tapping
4099	Delay time for motor excitation.
4016#4	Control properties settings on rigid tapping. (Set "0" as normal.)

(2) Initialization

Before adjustment, initialize the parameters related to rigid tapping with a spindle motor.

Parameter No. (FS16i)	Initial setting
5241~5244	Set the maximum spindle speed on rigid tapping.
5261~5264	<p>Set them with either of the methods <1> and <2> below.</p> <p><1> Method to set parameters from the spindle acceleration time In velocity control mode, measure the acceleration time [ms] required to achieve the maximum spindle speed on rigid tapping (Nos. 5241 to 5244), and set the value equal to the acceleration time multiplied by 1.5 to 2.</p> <p><2> Method to set the acceleration/deceleration constant from an expression</p> $tr[\text{ms}] = \frac{Jm[\text{kgm}^2] + JL[\text{kgm}^2]}{T \max(Nr)[\text{Nm}]} \times \frac{2\pi}{60} \times Nr[\text{min}^{-1}] \times Gear \times 1000 \times 1.2$ <p>tr [ms] : Acceleration/deceleration time constant on rigid tapping (Nos. 5261 to 5264)</p> <p>Nr [min^{-1}] : Maximum spindle speed on rigid tapping (Nos. 5241 to 5244)</p> <p>$Gear$: Gear ratio data between spindle and motor (motor speed per one spindle rotation)</p> <p>$T \max(Nr)$ [Nm] : Maximum torque of the spindle motor at Nr</p> <p>Jm [kgm^2] : Rotor inertia of the spindle motor</p> <p>JL [kgm^2] : Spindle load inertia (converted for the motor shaft)</p>
5280~5284	3000
4065~4068	3000
4044~4045	10

4052~4053	10
4085	<p>100</p> <p>When the maximum speed for rigid tapping (in terms of motor axis) is higher than the base speed of the spindle motor (No. 4100 for high-speed characteristics), set the value calculated from the following expression:</p> <p>Motor voltage (%)=</p> $100 \times \frac{\text{Spindle motor base speed}}{\text{Maximum speed for rigid tapping (in terms of motor axis)}}$
4137	<p>100</p> <p>When the maximum speed for rigid tapping (in terms of motor axis) is higher than the base speed of the spindle motor (No. 4138 for low-speed characteristics), set the value calculated from the following expression:</p> <p>Motor voltage (%)=</p> $100 \times \frac{\text{Spindle motor base speed}}{\text{Maximum speed for rigid tapping (in terms of motor axis)}}$
4016#4	<p>0</p> <p>Set this bit to 1 when setting parameter No. 4085 or 4137 to a value less than 100.</p>
4099	300

(3) Spindle data used for adjustment

Adjust the parameters while observing the motor speed, torque command, velocity error, synchronous error, and other waveform by using a spindle check board and oscilloscope or SERVO GUIDE. The table below lists spindle check board settings for observing the waveform.

Check board setting address		Settings	Observing data
Output to CH1	Output to CH2		
d-05	d-09	25	Velocity error $\pm 128 \text{ min}^{-1}$ at $\pm 5 \text{ V}$ $\pm 256 \text{ min}^{-1}$ at $\pm 5 \text{ V}$ if d-06 (d-10) is set to 13
d-06	d-10	12	
d-07	d-11	0	
d-08	d-12	1	
d-05	d-09	90	Torque command Maximum positive/negative torque command at $\pm 5 \text{ V}$ Maximum positive/negative torque command at $\pm 2.5 \text{ V}$ if d-06 (d-10) is set to 8
d-06	d-10	7	
d-07	d-11	0	
d-08	d-12	1	
d-05	d-09	68	Synchronous error (value converted for the spindle: 4096 pulses/rev) ± 128 pulses at $\pm 5 \text{ V}$ ± 256 pulses at $\pm 5 \text{ V}$ if d-06 (d-10) is set to 1 ± 512 pulses at $\pm 5 \text{ V}$ if d-06 (d-10) is set to 2
d-06	d-10	0	
d-07	d-11	0	
d-08	d-12	1	
d-05	d-09	19	Motor speed $\pm 8192 \text{ min}^{-1}$ at $\pm 5 \text{ V}$ $\pm 4096 \text{ min}^{-1}$ at $\pm 5 \text{ V}$ if d-06 (d-10) is set to 17 $\pm 2048 \text{ min}^{-1}$ at $\pm 5 \text{ V}$ if d-06 (d-10) is set to 16
d-06	d-10	18	
d-07	d-11	0	
d-08	d-12	1	

NOTE

When observing the synchronous error of Series 16*i*, set the following parameters:

No. 3700, #7 = 1:

Uses the synchronous error output (maintenance function).

(Return the setting to 0 after the observation is completed.)

No. 5203, #7 = 1 :

Sets a synchronous error update cycle.

(Return the setting to 0 after the observation is completed.)

No. 5204, #0 = 0 :

Displays the synchronous error on the diagnosis screen.

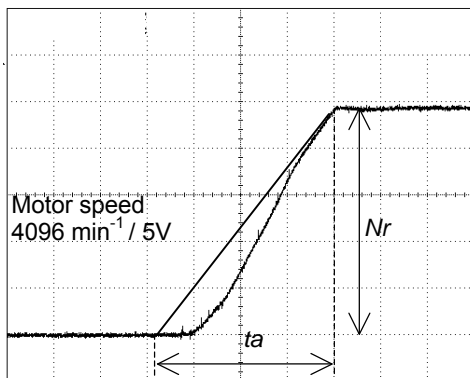
(4) Adjustment procedure

(4)-1 Specifying an acceleration/deceleration time constant (1): Specifying a provisional value

Before optimizing the acceleration/deceleration time constant, adjust the gain to improve the response. Following (a) or (b) below, specify a provisional acceleration/deceleration time constant according to the target maximum speed.

(a) Specifying a provisional time constant according to the velocity waveform in actual acceleration/deceleration

Observe the motor velocity waveform (velocity control mode) in acceleration up to the maximum rigid tapping speed. Specify such a provisional time constant that the inclination (acceleration) during rigid tapping acceleration becomes about a half of the inclination of a tangent to the motor velocity waveform near the location of maximum speed. See the sample waveform shown below.



Nr: Maximum rigid tapping speed (No. 5241 to 5244)
4000 min⁻¹ in this example
ta: Time of acceleration by the maximum torque at *Nr*
About 400 ms in this example
tr: Rigid tapping acceleration/deceleration time constant
(No. 5261 to 5264) 800 ms, which is two times *ta*, in this example

In this example, the maximum rigid tapping speed *Nr* is set to 4000 min⁻¹. To determine the acceleration/deceleration time constant, the motor velocity waveform in acceleration up to 4000 min⁻¹ is observed. If the acceleration is performed with the maximum motor torque at 4000 min⁻¹, the acceleration time *ta* needed to attain 4000 min⁻¹ is about 400 ms, as shown above. This is the minimum value of acceleration/deceleration time constant *tr*, which can be specified without consideration of cutting load. A time constant that can be specified in consideration of cutting load is usually about 1.2 to 1.5 times this value. As a provisional value for gain adjustment, approximately double (800 ms) is specified here.

(b) Specifying a value calculated from the relationship between the maximum torque and spindle inertia

Specify an acceleration/deceleration time constant calculated from the following expression:

$$tr[\text{ms}] = \frac{Jm[\text{kgm}^2] + JL[\text{kgm}^2]}{T_{\max}(Nr)[\text{Nm}]} \times \frac{2\pi}{60} \times Nr[\text{min}^{-1}] \times GR \times 1000 \times 2$$

$tr[\text{ms}]$: Acceleration/deceleration time constant on rigid tapping (No. 5261 to 5264)

$Nr[\text{min}^{-1}]$: Maximum spindle speed on rigid tapping (No. 5241 to 5244)

GR : Spindle-motor gear ratio (Motor rotation per spindle rotation)

$T_{\max}(Nr)$ [Nm]: Maximum torque of spindle motor at Nr

$Jm[\text{kgm}^2]$: Rotor inertia of spindle motor

$JL[\text{kgm}^2]$: Spindle load inertia(converted for the motor shaft)

(4)-2 Specifying a position gain

Specify an initial value of about 2000(20 sec⁻¹) to 3000(30 sec⁻¹), then adjust the value as needed. Basically, specify identical values for the spindle and tapping axis.

After specifying the position gain, check whether the spindle is operating as designed. For that purpose, check that the position error (value displayed on the CNC screen) during stable rotation at the maximum speed is almost the same as the theoretical value. This theoretical value is calculated as shown below. If the theoretical value is substantially different, re-check the parameters related to position gain, gear ratio, and detector.

$$Perr(Nr)[pulse] = \frac{Nr[\text{min}^{-1}]}{60} \times 4096[pulse/rev] \times \frac{1}{PG[\text{sec}^{-1}]}$$

$Perr(Nr)$ [pulse] : Position error in stable rotation at Nr

Nr [min⁻¹] : Maximum speed on rigid tapping

PG [sec⁻¹] : Position gain on rigid tapping

If the gear ratio is 1:1 at $Nr=4000 \text{ min}^{-1}$ and $PG=3000 (30 \text{ sec}^{-1})$, the position error in stable rigid tapping at Nr is calculated as follows:

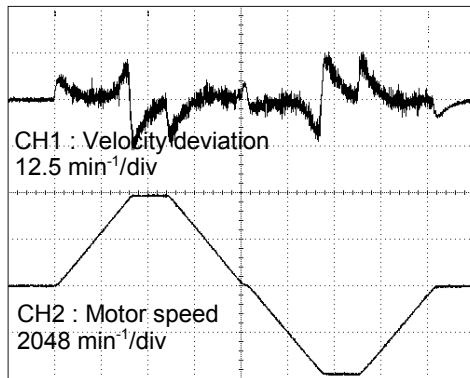
$$Perr(Nr) = \frac{4000}{60} \times 4096 \times \frac{1}{30} = 9102[pulse]$$

(4)-3 Specifying a velocity loop gain

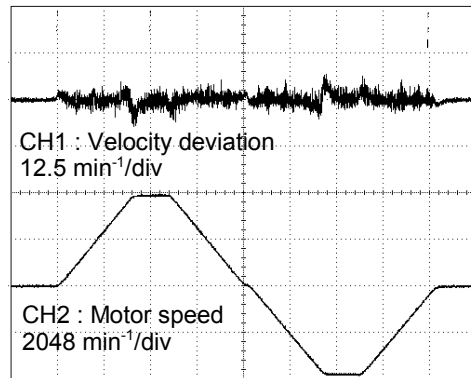
Refer to Section 4.1, “VELOCITY LOOP GAIN ADJUSTMENT” for details of the velocity loop proportional/integral gain. Adjust the velocity loop proportional/integral gain so that the velocity error decreases.

During the adjustment, observe the velocity error and motor speed. Sample waveforms before and after the adjustment are shown below:

(a) Waveform before adjustment (No. 4044 = 10, No. 4052 = 10)



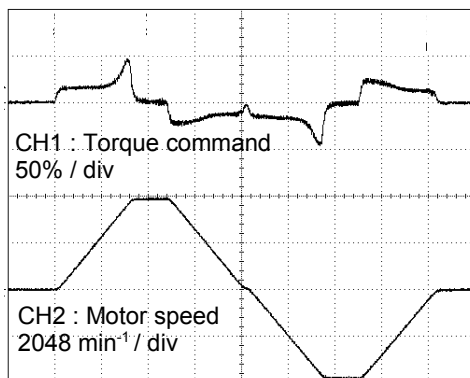
(b) Waveform after adjustment (No. 4044 = 20, No. 4052 = 60)



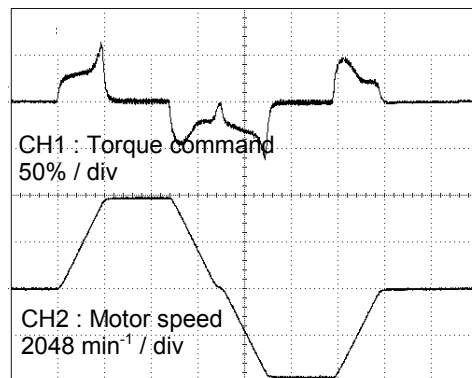
**(4)-4 Specifying an acceleration/deceleration time constant (2) :
 Specifying an optimum value**

Observing the torque command and motor speed, make a final adjustment of the time constant. Adjust the time constant in consideration of the actual cutting load, so that the peak torque at air cut becomes about 70% to 80% (3.5 to 4.0 V) of the maximum value. Sample waveforms before and after the adjustment are shown below:

(a) Waveform before adjustment (No. 5261 = 800)



(b) Waveform after adjustment (No. 5261 = 480)



(4)-5 Checking the synchronous error

The spindle adjustment ends when the adjustments described in above procedures are completed. After the spindle adjustment, check the synchronous error between the spindle and servo axis, which will be an index of rigid tapping precision.

The synchronous error is a difference between the spindle position error and the servo axis position error converted for the spindle.

$$SYNCER[\text{pulse}] = PER_{sp}[\text{pulse}] - PER_{sv}[\text{pulse}]$$

SYNCER [pulse]: Synchronous error

(4096 pulses per spindle rotation)

PER_{sp} [pulse]: Spindle position error

PER_{sv} [pulse]: Servo axis position error converted for the spindle

2.3.10 Diagnosis (Diagnosis Screen)

This Subsection provides a list of the diagnosis (diagnosis screen) indications related to rigid tapping only. For details, refer to the Connection Manual (Function) of each CNC.

- (a) For Series 16i/18i/21i
 “FANUC Series 16i/18i/21i-MODEL B
 CONNECTION MANUAL (FUNCTION) : B-63523EN-1
 Refer to Section 9.11, “RIGID TAPPING.”
- (b) For Series 30i/31i/32i
 “FANUC Series 30i/31i/32i-MODEL A
 CONNECTION MANUAL (FUNCTION) : B-63943EN-1
 Refer to Section 11.11, “RIGID TAPPING.”
- (c) For Series 15i
 “FANUC Series 15i-MODEL B
 CONNECTION MANUAL (FUNCTION) : B-63783EN-1
 Refer to Section 9.8, “RIGID TAPPING.”
- (d) For Series 0i
 “FANUC Series 0i-MODEL C
 CONNECTION MANUAL (FUNCTION) : B-64113EN-1
 Refer to Section 9.10, “RIGID TAPPING.”

(1) Series 16i

Address	Description	Unit
0300	Position error pulse of the tapping axis (error)	Pulse
0450	Position error pulse of the spindle (error)	Pulse
0451	Interpolation pulse of the spindle	Pulse
0454	Integrated interpolation pulse of the spindle	Pulse
0455	Difference of move command converted for the spindle (instantaneous)	Pulse
0456	Difference of position error converted for the spindle (instantaneous)	Pulse
0457	(In terms of spindle) Width of synchronous error (maximum)	Pulse

(2) Series 30i

Address	Description	Unit
0300	Position error pulse of the tapping axis (error)	Pulse
0450	Position error pulse of the spindle (error)	Pulse
0451	Interpolation pulse of the spindle	Pulse
0454	Integrated interpolation pulse of the spindle	Pulse
0455	Difference of move command converted for the spindle (instantaneous)	Pulse
0456	Difference of position error converted for the spindle (instantaneous)	Pulse
0457	(In terms of spindle) Width of synchronous error (maximum)	Pulse

(3) Series 15i

Address	Description	Unit
1600	Position error pulse of the spindle (instantaneous)	Pulse
1601	Position error pulse of the spindle (maximum)	Pulse
1602	Position error pulse of the tapping axis (instantaneous)	Pulse
1603	Position error pulse of the tapping axis (maximum)	Pulse
1604	(Value converted for the spindle) Width of synchronous error (instantaneous)	Pulse
1605	(Value converted for the spindle) Width of synchronous error (maximum)	Pulse

2.3.11 Alarm

This Subsection provides a list of the alarms related to rigid tapping only. For details, refer to the Connection Manual (Function) of each CNC.

- (a) For Series 16*i*/18*i*/21*i*
 “FANUC Series 16*i*/18*i*/21*i*-MODEL B
 CONNECTION MANUAL (FUNCTION) : B-63523EN-1
 Refer to Section 9.11, “RIGID TAPPING.”
- (b) For Series 30*i*/31*i*/32*i*
 “FANUC Series 30*i*/31*i*/32*i*-MODEL A
 CONNECTION MANUAL (FUNCTION) : B-63943EN-1
 Refer to Section 11.11, “RIGID TAPPING.”
- (c) For Series 15*i*
 “FANUC Series 15*i*-MODEL B
 CONNECTION MANUAL (FUNCTION) : B-63783EN-1
 Refer to Section 9.8, “RIGID TAPPING.”
- (d) For Series 0*i*
 “FANUC Series 0*i*-MODEL C
 CONNECTION MANUAL (FUNCTION) : B-64113EN-1
 Refer to Section 9.10, “RIGID TAPPING.”

(1) Series 16*i*

(a) Program error (P/S Alarm)

Alarm number	Description
200	S command is over the range or not inputted.
201	F command is not inputted.
202	The interpolation pulse for the spindle is over the range
203	The commanded place of M29 or S command is not proper.
204	The axis move command is inserted between M29 and G84 (G74).
205	The rigid mode input signal is not ON during G84 (G74) although M29 is commanded. The rigid mode DI signal does not go ON. The rigid mode input signal goes OFF during the rigid tapping.
206	The plane change is commanded during the rigid tapping. (M series only)
207	In rigid tapping, the lead is too short or too long. (M series only)

(b) Servo alarm

Alarm number	Description
410	The position error of the tapping axis or the spindle at stop exceeds the alarm level.
411	The position error of the tapping axis or the spindle at moving exceeds the alarm level.
413	Tapping axis LSI overflow (error counter overflow)
740	Position error at rest on the spindle side is larger than the predetermined value (No. 5313).
741	The positional deviation during movement on the spindle side is larger than the setting of No. 5311, or the synchronous error is larger than the setting of No. 5214.
742	Spindle LSI overflow (error counter overflow)

(2) Series 30i

(a) Program error (P/S Alarm)

Alarm number	Description
PS0200	S command is over the range or not inputted.
PS0201	F command is not inputted.
PS0202	The interpolation pulse for the spindle is over the range
PS0203	The commanded place of M29 or S command is not proper.
PS0204	The axis move command is inserted between M29 and G84 (G74).
PS0205	The rigid mode input signal is not ON during G84 (G74) although M29 is commanded. The rigid mode DI signal does not go ON. The rigid mode input signal goes OFF during the rigid tapping.
PS0206	The plane change is commanded during the rigid tapping. (M series only)
PS0207	In rigid tapping, the lead is too short or too long. (M series only)

(b) Servo alarm

Alarm number	Description
SV0410	The position error of the tapping axis or the spindle at stop exceeds the alarm level.
SV0411	The position error of the tapping axis or the spindle at moving exceeds the alarm level.
SV0413	Tapping axis LSI overflow (error counter overflow)
SP0740	Position error at rest on the spindle side is larger than the predetermined value (No. 5313).
SP0741	The positional deviation during movement on the spindle side is larger than the setting of No. 5311, or the synchronous error is larger than the setting of No. 5214.
SP0742	Spindle LSI overflow (error counter overflow)

(2) Series 15i

(a) Program error (P/S Alarm)

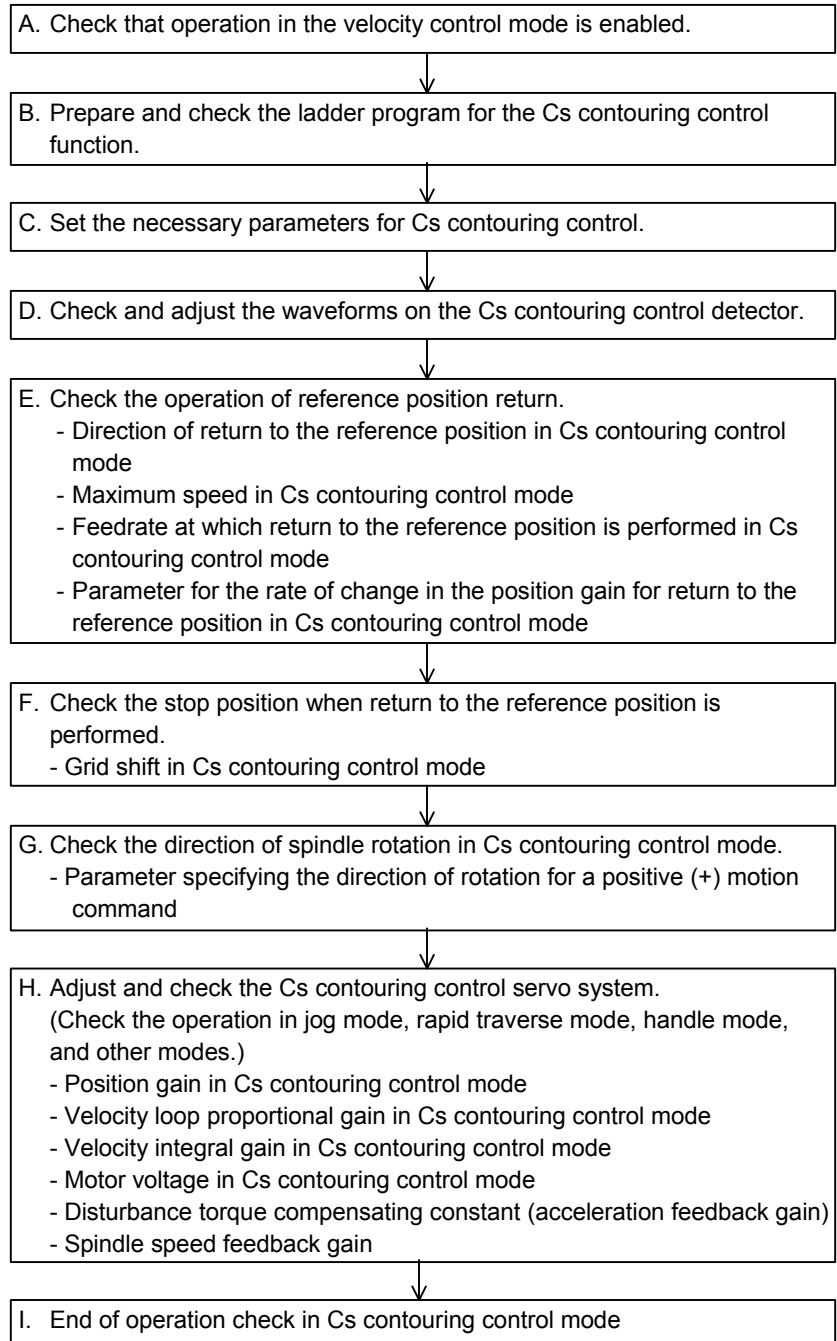
Alarm number	Description
PS0223	An attempt was made to execute an instruction that uses the spindle although the spindle to be controlled has not been set correctly.
PS0531	When the feedrate instruction contains valid data below the decimal point, the alarm is set and the F code contains valid data below the decimal point.
PS0532	When the feedrate instruction contains valid data below the decimal point, the alarm is set and the E code contains valid data below the decimal point.
PS0533	The feedrate for the hole drilling axis calculated from the F and S codes is too slow in the feed per single rotation mode (G95).
PS0534	The feedrate for the hole drilling axis calculated from the F and S codes is too fast in the feed per rotation mode (G95).
PS0535	The feedrate for the hole drilling axis calculated from the E and S codes is too slow in the feed per rotation mode (G95).
PS0536	The feedrate for the hole drilling axis calculated from the E and S codes is too fast in the feed per rotation mode (G95).
PS0537	The speed obtained by applying override to the F instruction is too slow.
PS0538	The speed obtained by applying override to the F instruction is too fast.
PS0539	The speed obtained by applying override to the E instruction is too slow.
PS0540	The speed obtained by applying override to the E instruction is too fast.
PS0541	"0" has been instructed as the S code.
PS0542	"0" has been instructed as the feedrate (E code).
PS0543	The gear ratio between the spindle and position coder, or the set position coder number of pulses is illegal in the spindle position function and the rigid tapping function.
PS0544	The value specified with the S command exceeds the maximum spindle speed.

(b) Spindle alarm (SP alarm)

Alarm number	Description
SP0224	The spindle-position coder gear ratio was incorrect.
SP0231	The position error during spindle rotation was greater than the value set in parameter (No.5876).
SP0232	The position error during spindle stop was greater than the value set in parameter (No.5877).
SP0233	The error counter/speed instruction value of the position coder overflowed.
SP0234	Grid shift overflowed.
SP0235	The orientation (reference position return) speed is too fast.
SP0238	An attempt was made to change the spindle mode during the rigid tapping mode.

2.4 Cs CONTOURING CONTROL (OPTIONAL FUNCTION)

2.4.1 Start-up Procedure



2.4.2 Overview

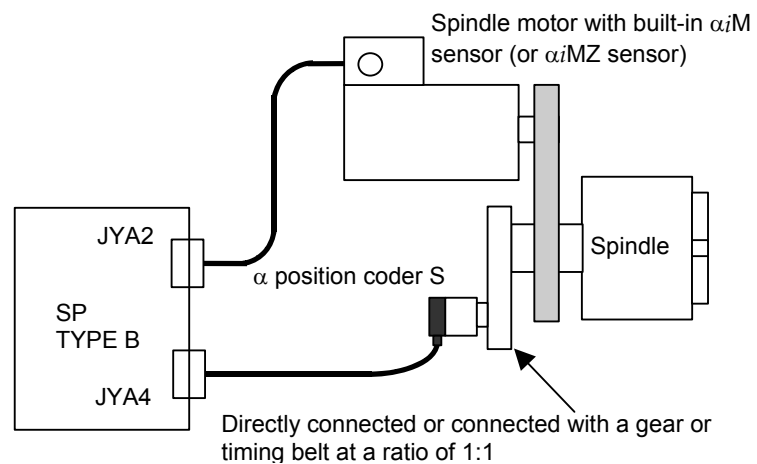
Cs contouring control is a function for exercising position control by handling the spindle as a CNC controlled axis with an αiMZ sensor, αiBZ sensor, αiCZ sensor (analog, serial), or α position coder S. This function enables positioning and interpolation with another servo axis. This means that linear interpolation, circular interpolation, and so forth can be specified between the spindle and a servo axis.

NOTE
 To use this function, the CNC software option is required.

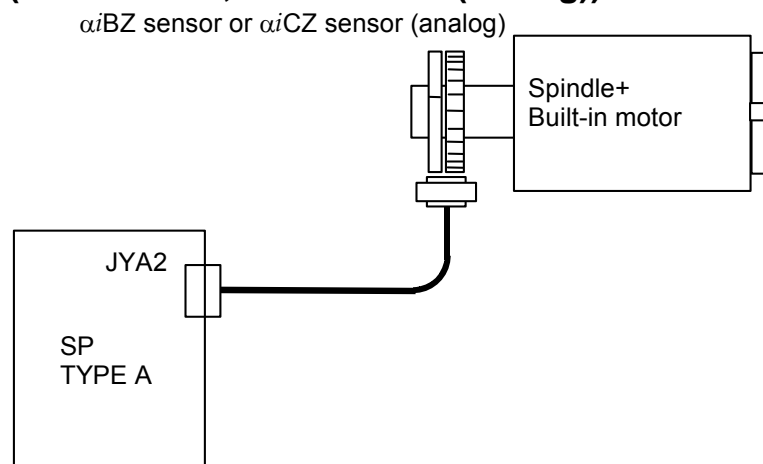
2.4.3 System Configuration

The system configurations that enable the use of the Cs contouring control function are shown below.

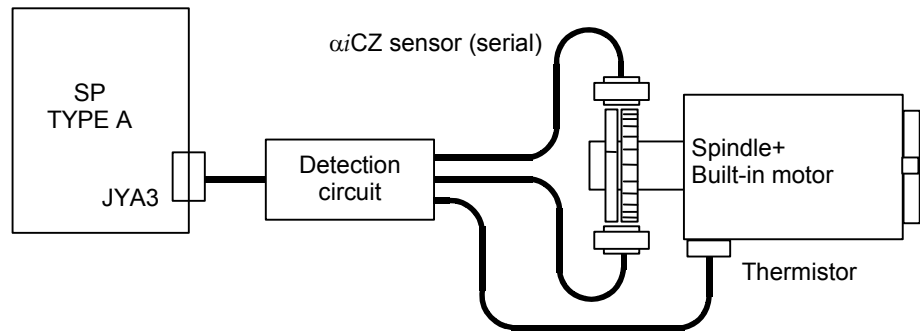
(1) When the αi position coder S is used



(2) When the built-in motor (αiBZ sensor, αiCZ sensor (analog)) is used



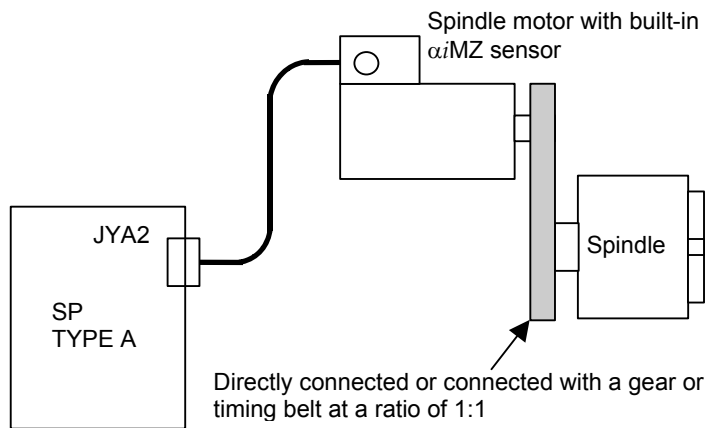
(3) When the built-in motor (α iCZ sensor (serial)) is used



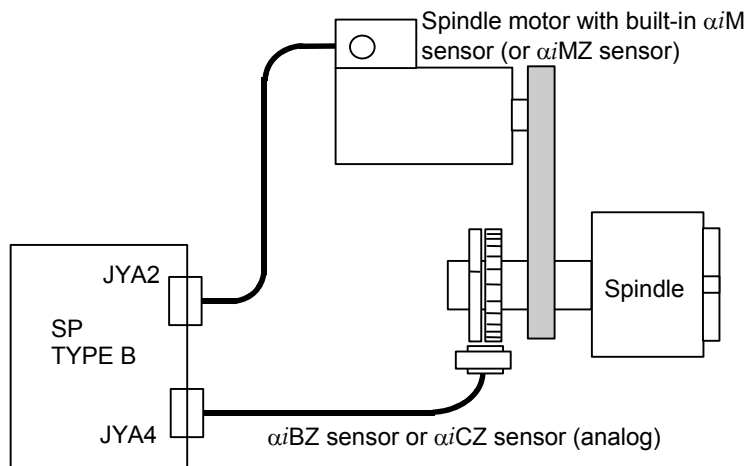
NOTE

In a configuration in which the α iCZ sensor (serial) is used as the motor sensor, if Cs contouring control is to be performed immediately after the power is turned on, use spindle software 9D80 series H (08) edition or later.

(4) When the spindle motor with built-in α iMZ sensor is used

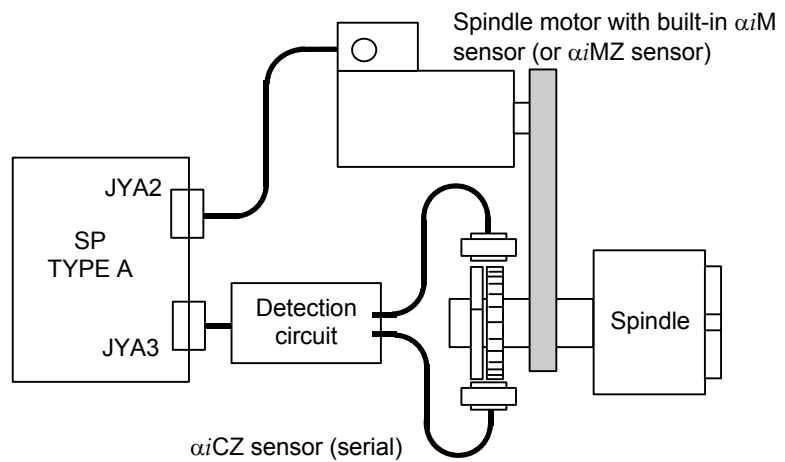


(5) When the separate type α iBZ sensor or separate type α iCZ sensor (analog) is used



NOTE
 In a configuration in which the α iCZ sensor (serial) is used as the motor sensor, if Cs contouring control is to be performed immediately after the power is turned on, use spindle software 9D80 series H (08) edition or later.

(6) When the separate type α iCZ sensor (serial) is used



NOTE
 In a configuration in which the α iCZ sensor (serial) is used as the motor sensor, if Cs contouring control is to be performed immediately after the power is turned on, use spindle software 9D80 series H (08) edition or later.

2.4.4 List of I/O Signals (CNC↔PMC)

This Subsection provides a list of the I/O signals related to Cs contouring control only. For details of each signal, refer to the Connection Manual (Function) of each CNC.

- (a) For Series 16i/18i/21i
 “FANUC Series 16i/18i/21i-MODEL B
 CONNECTION MANUAL (FUNCTION) : B-63523EN-1
 Refer to Section 9.9, “Cs CONTOUR CONTROL.”
- (b) For Series 30i/31i/32i
 “FANUC Series 30i/31i/32i-MODEL A
 CONNECTION MANUAL (FUNCTION) : B-63943EN-1
 Refer to Section 11.9, “Cs CONTOUR CONTROL.”
- (c) For Series 15i
 “FANUC Series 15i-MODEL B
 CONNECTION MANUAL (FUNCTION) : B-63783EN-1
 Refer to Section 9.7, “Cs CONTOUR CONTROL.”
- (d) For Series 0i
 “FANUC Series 0i-MODEL C
 CONNECTION MANUAL (FUNCTION) : B-64113EN-1
 Refer to Section 9.8, “Cs CONTOUR CONTROL.”

For details of the I/O signals common to the CNCs, see Chapter 3, “I/O SIGNALS (CNC↔PMC)”, in Part I.

(1) Input signals (PMC→CNC)

(a) Series 16i

	#7	#6	#5	#4	#3	#2	#1	#0
G027	CON							
G028						GR2	GR1	

(b) Series 30i

	#7	#6	#5	#4	#3	#2	#1	#0
G027	CON							
G028						GR2	GR1	

(c) Series 15i

	#7	#6	#5	#4	#3	#2	#1	#0
G067	SCNTR1							
G071	SCNTR2							
:	:							

(d) Common to CNCs

	15i	16i	30i	#7	#6	#5	#4	#3	#2	#1	#0
1st-	G227	G070	G070			SFRA	SRVA	CTH1A	CTH2A		
2nd-	G235	G074	G074			SFRB	SRVB	CTH1B	CTH2B		
1st-	G226	G071	G071			INTGA					
2nd-	G234	G075	G075			INTGB					

(2) Output signals (CNC→PMC)

(a) Series 16i

	#7	#6	#5	#4	#3	#2	#1	#0
F034						GR30 (*1)	GR20 (*1)	GR10 (*1)
F044							FSCSL	
F094	ZP8	ZP7	ZP6	ZP5	ZP4	ZP3	ZP2	ZP1

NOTE

1* These signals are valid with the M series only.

(b) Series 30i

	#7	#6	#5	#4	#3	#2	#1	#0
F034						GR30 (*1)	GR20 (*1)	GR10 (*1)
F044							FSCSL	
F094	ZP8	ZP7	ZP6	ZP5	ZP4	ZP3	ZP2	ZP1

NOTE

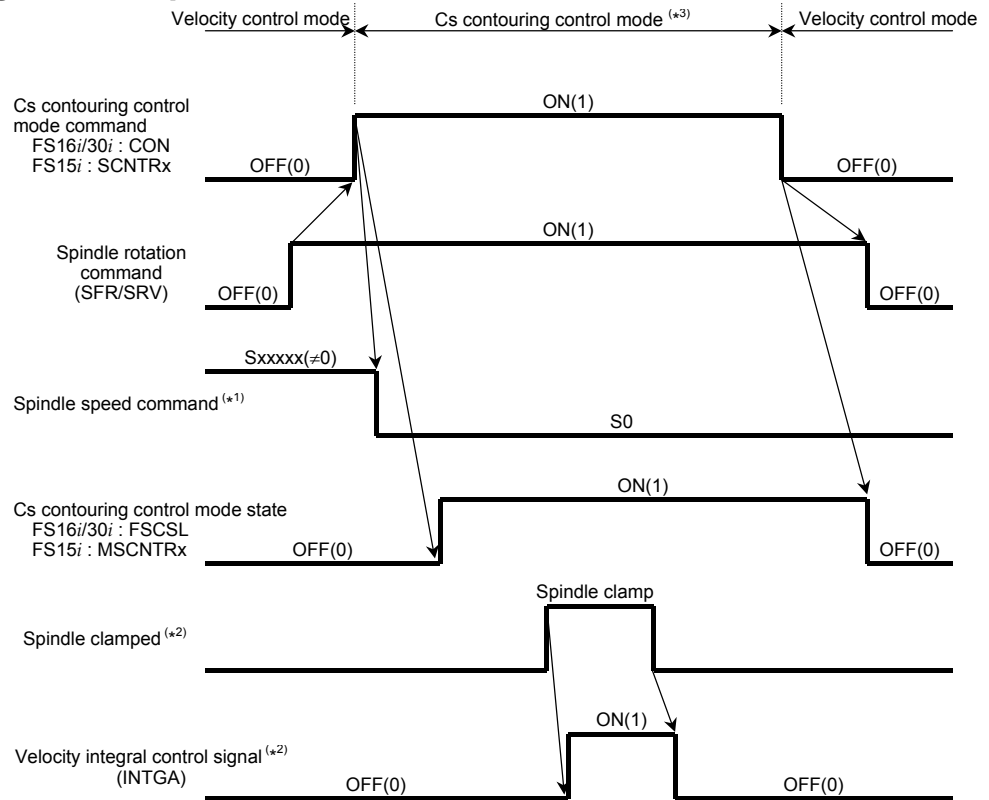
1* These signals are valid with the M series only.

(c) Series 15i

	#7	#6	#5	#4	#3	#2	#1	#0
F064								ZP1
F068								ZP2
:								:
F067	MSCNTR1							
F071	MSCNTR2							
:	:							

2.4.5 Examples of Sequences

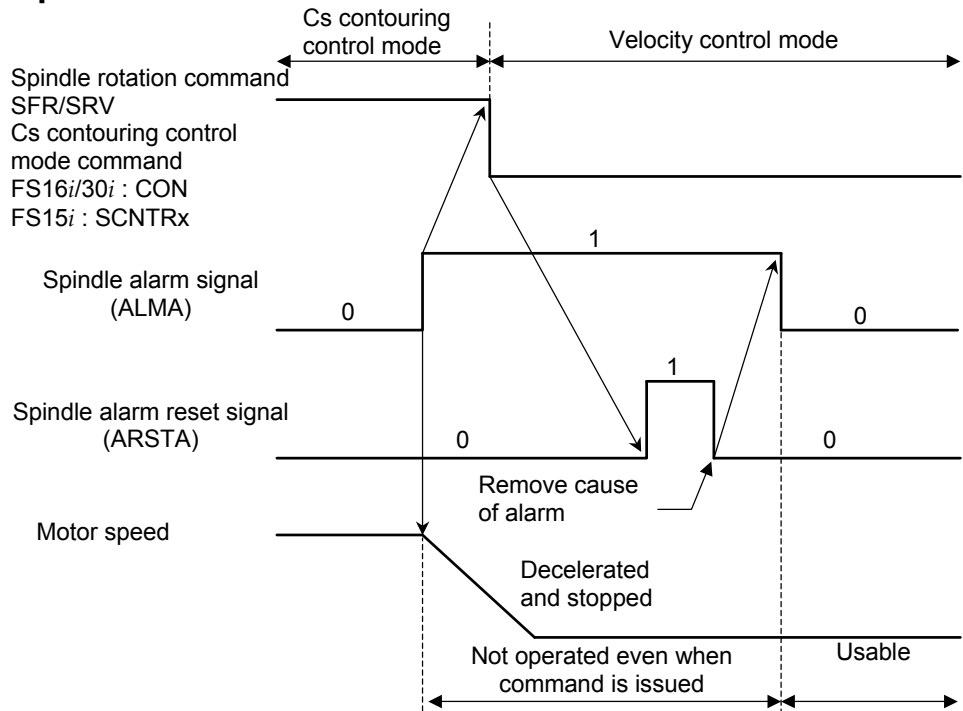
(Example 1) During normal operation



NOTE

- 1 In Cs contouring control mode, reset the spindle speed command (specify S0) for safety.
- 2 When the spindle is clamped to perform machining such as drilling after positioning based on Cs contouring control, the spindle may be clamped at a position slightly shifted from the specified position. In such a case, the velocity loop integral function attempts to move the spindle to the specified position, so that an excessively high current can flow through the motor. To prevent this, turn on (set to 1) the velocity integral control signal (INTGA) to disable the velocity loop integral function, or turn off the power to the motor with the servo-off signal.
- 3 In Cs contouring control, do not perform spindle gear switching. Be sure to perform spindle gear switching, if needed, on the velocity control mode.
- 4 For Cs contouring control, use either of the SFR and SRV signals.
- 5 In the Cs contouring control mode, do not change the SFR (SRV) signal.

(Example 2) When a spindle alarm is issued



NOTE

- 1 If a spindle alarm is issued, release the Cs contouring control mode. Resetting the alarm without releasing the mode and restarting operation may cause a miss positioning.
- 2 With the following series and editions, the alarm reset signal is valid only in the velocity control mode (in other modes, inputting the alarm reset signal does not release the alarm):
 - 9D50 series P (16) edition or later
 - 9D70 series G (07) edition or later
 - 9D80 series A (01) edition or later

2.4.6 Velocity Loop Gains Override Function on Cs Contouring Control Mode

2.4.6.1 Series and Editions of Applicable Spindle Software

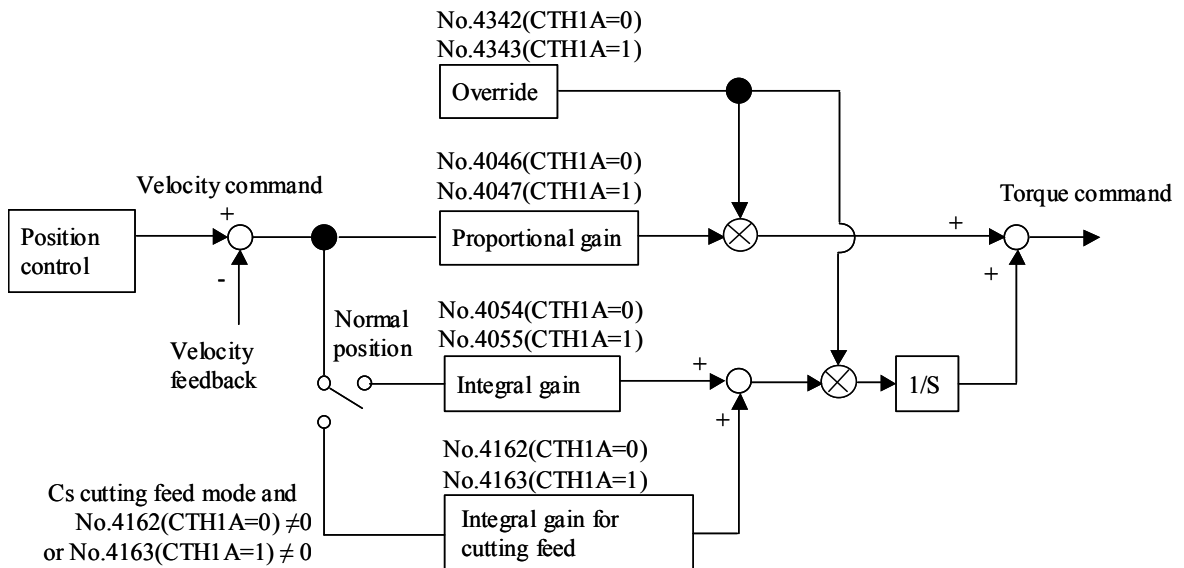
Spindle software

Series	Edition	Usable CNC
9D50	S (19) edition or later	FS16i / FS18i / FS21i , FS0i , FS15i
9D70	I (09) edition or later	FS30i / FS31i / FS32i
9D80	C (03) edition or later	FS16i / FS18i / FS21i , FS0i , FS15i , FS30i / FS31i / FS32i

2.4.6.2 Block diagram

Shown below is a block diagram of the velocity loop for Cs contouring control mode.

The velocity loop gains override function is used to override the velocity loop gain on Cs contouring control mode according to load inertia changes.



NOTE

The override function is effective only for Cs contouring control mode (override fixed at 100% for the other modes).

2.4.6.3 Adjustment

The following are the parameters used to adjust the velocity loop gain for Cs contouring control.

	CTH1A=0		CTH1A=1	
	Parameter	Setting data	Parameter	Setting data
Proportional gain	No.4046	Depends on the model	No.4047	Depends on the model
Integral gain	No.4054	Depends on the model	No.4055	Depends on the model
Integral gain for cutting feed	No.4162	0	No.4163	0
Velocity loop gain override	No.4342	Tuning is necessary	No.4343	Tuning is necessary

<1> Setting of the standard parameters for the velocity loop gain
 Set the standard parameters for each motor model as proportional gain and integral gain parameters.
 (For an explanation of the standard parameters for each motor model, see Subsection 2.4.6.4.)

<2> Setting the override of the velocity loop gain
 Set the value according to the following equation.

$$Vovr [\%] = \left(\frac{JL [\text{kgm}^2]}{Jm [\text{kgm}^2]} + 1 \right) \times 100$$

Vovr [%] : Velocity loop gain override
 JL [kgm²] : Spindle load inertia (converted for the motor shaft)
 Jm [kgm²] : Rotor inertia of spindle motor

NOTE

The following problems may occur by setting override value calculated according to above-mentioned equation, if the rigidity of spindle is low. In that case, reduce the override value with a wide margin.

- The vibration sound of spindle occurs.
- Vibration of a torque command becomes large.
- Position errors at stop vary largely.

2.4.6.4 Standard parameters of velocity loop gain for Cs contouring control for each motor model

NOTE

- *1 If the motor model is not included in the list , calculate gain according the following equation.
No. 4046 (or No. 4047) = $30159 / (T_{max} / J_m)$
No. 4054 (or No. 4055) = $280735 / (T_{max} / J_m)$
where
(For αi series spindle motors)
 T_{max} = Short time rated torque at constant torque range $\times 1.2$ [Nm]
(For βi series spindle motors)
 T_{max} = Short time rated torque at constant torque range $\times 1.1$ [Nm]
 J_m = Motor rotor inertia [kgm^2]
- *2 Set the standard value in parameters (Nos. 4046/4047 and Nos. 4054/4055) for the selected winding (high-speed/low-speed).

(a)SPINDLE MOTOR αi I

Motor model	Velocity loop proportional gain No.4046/ No.4047	Velocity loop Integral gain No.4054/ No.4055
αi I 0.5/10000	3	30
αi I 1/10000	10	98
αi I 1.5/10000	5	42
αi I 2/10000	8	75
αi I 3/10000	10	90
αi I 6/10000	9	88
αi I 8/8000	10	92
αi I 12/7000	18	171
αi I 15/7000	18	165
αi I 18/7000	19	175
αi I 22/7000	18	167
αi I 30/6000	24	223
αi I 40/6000	31	287
αi I 50/4500	24	223
αi I 1/15000	11	100
αi I 1.5/15000	8	71
αi I 2/15000	7	65
αi I 3/12000	10	90
αi I 6/12000(Low-speed winding)	9	83
αi I 6/12000(High-speed winding)	20	183
αi I 8/10000(Low-speed winding)	10	92
αi I 8/10000(High-speed winding)	26	245
αi I 12/10000(Low-speed winding)	18	171
αi I 12/10000(High-speed winding)	49	457
αi I 15/10000(Low-speed winding)	19	179
αi I 15/10000(High-speed winding)	51	476
αi I 18/10000(Low-speed winding)	19	175
αi I 18/10000(High-speed winding)	50	467
αi I 22/10000(Low-speed winding)	19	181
αi I 22/10000(High-speed winding)	52	482

(b)SPINDLE MOTOR αi I_P series

Motor model	Velocity loop proportional gain No.4046/ No.4047	Velocity loop Integral gain No.4054/ No.4055
αi I _P 12/8000	12	114
αi I _P 12/8000	18	171
αi I _P 15/6000	13	122
αi I _P 15/8000	20	184
αi I _P 18/6000	10	95
αi I _P 18/8000	18	167
αi I _P 22/6000	11	104
αi I _P 22/8000	17	155
αi I _P 30/6000(Low-speed winding)	17	156
αi I _P 30/6000(High-speed winding)	24	224
αi I _P 40/6000(Low-speed winding)	14	131
αi I _P 40/6000(High-speed winding)	20	186
αi I _P 50/6000(Low-speed winding)	18	166
αi I _P 50/6000(High-speed winding)	37	347
αi I _P 60/4500(Low-speed winding)	17	160
αi I _P 60/4500(High-speed winding)	32	300

(c)SPINDLE MOTOR αi I_T series

Motor model	Velocity loop proportional gain No.4046/ No.4047	Velocity loop Integral gain No.4054/ No.4055
αi I _T 1.5/15000	4	35
αi I _T 2/15000	6	52
αi I _T 3/12000	12	107
αi I _T 6/12000(Low-speed winding)	13	121
αi I _T 6/12000(High-speed winding)	7	63
αi I _T 8/12000(Low-speed winding)	11	100
αi I _T 8/12000(High-speed winding)	5	47
αi I _T 8/15000(Low-speed winding)	17	157
αi I _T 8/15000(High-speed winding)	17	156
αi I _T 15/10000(Low-speed winding)	24	224
αi I _T 15/10000(High-speed winding)	14	131
αi I _T 15/12000(Low-speed winding)	12	108
αi I _T 15/12000(High-speed winding)	11	100
αi I _T 22/10000(Low-speed winding)	37	347
αi I _T 22/10000(High-speed winding)	17	160

(d)SPINDLE MOTOR αi L series

Motor model	Velocity loop proportional gain No.4046/ No.4047	Velocity loop Integral gain No.4054/ No.4055
αi L 8/20000(Low-speed winding)	10	92
αi L 8/20000(High-speed winding)	24	224
αi L 15/15000(Low-speed winding)	11	102
αi L 15/15000(High-speed winding)	47	436
αi L 26/15000(Low-speed winding)	18	163
αi L 26/15000(High-speed winding)	42	393

(e)SPINDLE MOTOR αi I series (400V)

Motor model	Velocity loop proportional gain No.4046/ No.4047	Velocity loop Integral gain No.4054/ No.4055
αi I 0.5/10000HV	3	30
αi I 1/10000HV	10	91
αi I 1.5/10000HV	5	42
αi I 2/10000HV	8	71
αi I 3/10000HV	10	92
αi I 6/10000HV	9	85
αi I 8/8000HV	10	96
αi I 12/7000HV	18	171
αi I 15/7000HV	14	131
αi I 22/7000HV	19	179
αi I 30/6000HV	24	224
αi I 40/6000HV	32	302
αi I 60/4500HV	20	184
αi I 100/4000HV(Low-speed winding)	26	240
αi I 100/4000HV(High-speed winding)	52	480

(f)SPINDLE MOTOR αi I_P series (400V)

Motor model	Velocity loop proportional gain No.4046/ No.4047	Velocity loop Integral gain No.4054/ No.4055
αi I _P 15/6000HV(Low-speed winding)	13	122
αi I _P 15/6000HV(High-speed winding)	20	184
αi I _P 22/6000HV(Low-speed winding)	11	104
αi I _P 22/6000HV(High-speed winding)	17	157
αi I _P 40/6000HV(Low-speed winding)	14	131
αi I _P 40/6000HV(High-speed winding)	20	189
αi I _P 50/6000HV(Low-speed winding)	18	166
αi I _P 50/6000HV(High-speed winding)	37	347
αi I _P 60/4500HV(Low-speed winding)	17	160
αi I _P 60/4500HV(High-speed winding)	32	300

(g)SPINDLE MOTOR αi I_T series(400V)

Motor model	Velocity loop proportional gain No.4046/ No.4047	Velocity loop Integral gain No.4054/ No.4055
αi I _T 1.5/15000HV	15	143
αi I _T 2/15000HV	17	155
αi I _T 3/12000HV	3	29
αi I _T 6/12000HV(Low-speed winding)	9	88
αi I _T 6/12000HV(High-speed winding)	25	234
αi I _T 8/12000HV(Low-speed winding)	7	62
αi I _T 8/12000HV(High-speed winding)	15	137
αi I _T 8/15000HV(Low-speed winding)	10	92
αi I _T 8/15000HV(High-speed winding)	26	245
αi I _T 15/10000HV(Low-speed winding)	19	179
αi I _T 15/10000HV(High-speed winding)	51	476
αi I _T 15/12000HV(Low-speed winding)	11	102
αi I _T 15/12000HV(High-speed winding)	39	364
αi I _T 22/10000HV(Low-speed winding)	19	181
αi I _T 22/10000HV(High-speed winding)	52	482

(h) SPINDLE MOTOR αi L series(400V)

Motor model	Velocity loop proportional gain No.4046/ No.4047	Velocity loop Integral gain No.4054/ No.4055
αi L 8/20000HV(Low-speed winding)	10	92
αi L 8/20000HV(High-speed winding)	24	224
αi L 15/15000HV(Low-speed winding)	11	102
αi L 15/15000HV(High-speed winding)	47	436
αi L 26/15000HV(Low-speed winding)	18	163
αi L 26/15000HV(High-speed winding)	42	393

(i) SPINDLE MOTOR BiI series (standard type)

Motor model	Velocity loop proportional gain No.4046/ No.4047	Velocity loop Integral gain No.4054/ No.4055
BiI 50L/25000	1	13
BiI 80S/20000(Low-speed winding)	11	100
BiI 80S/20000(High-speed winding)	11	106
BiI 80M/15000	11	100
BiI 80L/8000	4	40
BiI 100S/12500	9	79
BiI 112SS/20000(Low-speed winding)	4	38
BiI 112SS/20000(High-speed winding)	19	178
BiI 112S/15000(Low-speed winding)	5	47
BiI 112S/15000(High-speed winding)	25	235
BiI 112M/15000	9	88
BiI 112L/15000(Low-speed winding)	5	44
BiI 112L/15000(High-speed winding)	13	122
BiI 112LL/15000(Low-speed winding)	5	44
BiI 112LL/15000(High-speed winding)	12	109
BiI 132M/14000(Low-speed winding)	4	39
BiI 132M/14000(High-speed winding)	14	133
BiI 132L/14000(Low-speed winding)	5	43
BiI 132L/14000(High-speed winding)	23	210
BiI 160S/13000(Low-speed winding)	8	72
BiI 160S/13000(High-speed winding)	14	135
BiI 160M/13000(Low-speed winding)	7	69
BiI 160M/13000(High-speed winding)	8	79
BiI 160L/13000(Low-speed winding)	9	81
BiI 160L/13000(High-speed winding)	19	180
BiI 160LL/13000(Low-speed winding)	9	81
BiI 160LL/13000(High-speed winding)	27	247
BiI 180M/6000(Low-speed winding)	15	139
BiI 180M/6000(High-speed winding)	27	248
BiI 180L/6000(Low-speed winding)	16	145
BiI 180L/6000(High-speed winding)	34	318
BiI 180LL/8000(Low-speed winding)	13	120
BiI 180LL/8000(High-speed winding)	42	391
BiI 200M/6000(Low-speed winding)	12	111
BiI 200M/6000(High-speed winding)	22	206
BiI 200L/6000(Low-speed winding)	11	103
BiI 200L/6000(High-speed winding)	20	187
BiI 250M/3000(Low-speed winding)	19	180
BiI 250M/3000(High-speed winding)	35	325

(j)SPINDLE MOTOR BiI series (high-speed type)

Motor model	Velocity loop proportional gain No.4046/ No.4047	Velocity loop Integral gain No.4054/ No.4055
BiI 40S/70000	20	183
BiI 80S/40000	17	159
BiI 100S/20000(Low-speed winding)	6	51
BiI 100S/20000(High-speed winding)	9	86
BiI 112S/20000(Low-speed winding)	6	56
BiI 112S/20000(High-speed winding)	9	87
BiI 112M/20000(Low-speed winding)	4	42
BiI 112M/20000(High-speed winding)	24	225
BiI 112L/20000(Low-speed winding)	5	50
BiI 112L/20000(High-speed winding)	20	187
BiI 112L/25000(Low-speed winding)	4	41
BiI 112L/25000(High-speed winding)	12	111
BiI 132L/25000(Low-speed winding)	5	49
BiI 132L/25000(High-speed winding)	27	247
BiI 160M/20000(Low-speed winding)	6	60
BiI 160M/20000(High-speed winding)	34	312
BiI 160L/20000(Low-speed winding)	9	82
BiI 160L/20000(High-speed winding)	21	200
BiI 160LL/20000(Low-speed winding)	11	106
BiI 160LL/20000(High-speed winding)	68	635

(k)SPINDLE MOTOR β iI series

Motor model	Velocity loop proportional gain No.4046/ No.4047	Velocity loop Integral gain No.4054/ No.4055
β iI 3/10000	6	28
β iI 6/10000	8	40
β iI 8/10000	7	33
β iI 12/10000	8	37

2.4.7 Related Parameters

Parameter No.			Description
15i	16i	30i	
1005#0	1005#0	1005#0	Whether to use the reference position return function
1005#2	-	-	Sets automatic reference position return (G28). (Set "0".)
1005#3	-	-	Set workpiece coordinate system preset at automatic reference position return time. (Set "1".)
1600#2,#1,#0	1006#2	1006#2	Sets a linear axis/rotation axis. (Set "1".)
1600#3	-	-	Sets a radius for a move command/rotation axis. (Set "0".)
1804#7	-	-	Sets a Cs contouring control axis with a serial spindle. (Set "1".)
2203#1	-	-	Sets machine position display on the CRT. (Set "1".)
-	3700#1	3700#1	Specifies whether to enable the reference position return function for the first G00 command received after switching to Cs contouring control.
-	3712#2	3712#2	Sets the Cs axis coordinate establishment function.
1012 #3,#2,#1,#0	1004 #1,#0	1013 #3,#2,#1,#0	Increment system (Usually, set and use IS-B.)
1020	1020	1020	Program axis name
-	1022	1022	Sets an axis of the basic coordinate system. (Set "0".)
1023	1023	1023	Servo axis number (Set "-1".)
1028	-	-	Spindle number of Cs contouring control axis
1260	-	1260	Movement per rotation of rotation axis (Set "360.0".)
1420	1420	1420	Rapid traverse rate
1620	1620	1620	Linear acceleration/deceleration time constant for rapid feed
1820	1820	1820	Command multiplication (Usually, set "2" [= CMR 1].)
5879	1826	1826	In-position width
5880	1828	1828	Position error limit during movement
5881	1829	1829	Position error limit when stopped
5882	-	-	Position error limit when the servo system is off
5609#0	-	-	Sets a position gain for a servo axis subject to interpolation with the Cs contouring control axis. ("0": Automatically set, "1": Not automatically set. Usually, set "0".)
-	3900 3910 3920 3930 3940	3900 3910 3920 3930 3940	Servo axis number subject to interpolation with the Cs contouring control axis
-	3901 to 3904 3911 to 3914 3921 to 3924 3931 to 3934 3941 to 3944	3901 to 3904 3911 to 3914 3921 to 3924 3931 to 3934 3941 to 3944	Position gain of a servo axis subject to interpolation with the Cs contouring control axis
5843	-	-	Number of pulses of position detector for Cs contouring control
3000#1	4000#1	4000#1	Spindle rotation direction for a positive motion command on Cs contouring control mode
3000#3	4000#3	4000#3	Direction of reference position return when the system enters Cs contouring control mode
3002#4	4002#4	4002#4	Whether to use the rotation direction signal (SFR/SRV) function on Cs contouring control
3005#0	4005#0	4005#0	Sets the detection unit for Cs contouring control.
3016#3	4016#3	4016#3	Sets the smoothing function in feed-forward control.
3016#4	4016#4	4016#4	Setting related to the motor voltage control characteristics on Cs contouring control or servo mode

Parameter No.			Description
15i	16i	30i	
3021	4021	4021	Maximum spindle speed on Cs contouring control mode
3036	4036	-	Feed-forward coefficient
3037	4037	4037	Velocity loop feed-forward coefficient
3046	4046	4046	Velocity loop proportional gain on Cs contouring control mode
3047	4047	4047	(A parameter is selected by the CTH1A input signal sent from the PMC.)
3054	4054	4054	Velocity loop integral gain on Cs contouring control mode
3055	4055	4055	(A parameter is selected by the CTH1A input signal sent from the PMC.)
3056 to 3059	4056 to 4059	4056 to 4059	Spindle-to-motor gear ratio (A parameter is selected by the CTH1A and CTH2A input signals sent from the PMC.)
3069 to 3072	4069 to 4072	4069 to 4072	Position gain for axes subject to Cs contouring control (A parameter is selected by the CTH1A input signal sent from the PMC.)
3074	4074	4074	Feedrate for reference position return on Cs contouring control mode or servo mode
3086	4086	4086	Motor voltage on Cs contouring control mode
3092	4092	4092	Rate of change in the position gain when reference position return is performed on Cs contouring control mode
3094	4094	4094	Disturbance torque compensating constant (acceleration feedback gain)
3097	4097	4097	Spindle speed feedback gain
3099	4099	4099	Motor excitation delay
3131	4131	4131	Velocity detection filter time constant (on Cs contouring control)
3135	4135	4135	Grid shift on Cs contouring control mode
3162	4162	4162	Velocity loop integral gain for cutting feed on Cs contouring control
3163	4163	4163	(A parameter is selected by the PMC input signal CTH1A.)
3342	4342	4342	Velocity loop gain override in Cs contouring control.
3343	4343	4343	(These parameters are selected by the input signal CTH1A of PMC.)
-	-	4344	Advanced preview feed-forward coefficient
-	4353#5	4353#5	Sets the Cs axis position data transfer function.
3406	4406	4406	Acceleration/deceleration time constant at return to the reference position in Cs contouring control/servo mode

NOTE

- 1 For the detector-related parameters, see Section 1.3, "PARAMETERS RELATED TO DETECTORS", in Part I.
- 2 For velocity loop proportional/integral gain adjustment, see Section 4.1, "VELOCITY LOOP GAIN ADJUSTMENT", in Part I.

2.4.8 Details of Related Parameters

This Subsection details the serial spindle parameters (in the four thousands for 16*i*, in the four thousands for 30*i*, and in the three thousands for 15*i*) among the parameters related to Cs contouring control. For details of other parameters, refer to the Connection Manual (Function) of each CNC.

- (a) For Series 16*i*/18*i*/21*i*
 “FANUC Series 16*i*/18*i*/21*i*-MODEL B
 CONNECTION MANUAL (FUNCTION) : B-63523EN-1
 Refer to Section 9.9, “Cs CONTOUR CONTROL.”
- (b) For Series 30*i*/31*i*/32*i*
 “FANUC Series 30*i*/31*i*/32*i*-MODEL A
 CONNECTION MANUAL (FUNCTION) : B-63943EN-1
 Refer to Section 11.9, “Cs CONTOUR CONTROL.”
- (c) For Series 15*i*
 “FANUC Series 15*i*-MODEL B
 CONNECTION MANUAL (FUNCTION) : B-63783EN-1
 Refer to Section 9.7, “Cs CONTOUR CONTROL.”
- (d) For Series 0*i*
 “FANUC Series 0*i*-MODEL C
 CONNECTION MANUAL (FUNCTION) : B-64113EN-1
 Refer to Section 9.8, “Cs CONTOUR CONTROL.”

15 <i>i</i>	16 <i>i</i>	30 <i>i</i>	#7	#6	#5	#4	#3	#2	#1	#0
3000	4000	4000					RETRN		ROTA2	

- ROTA2** Indicates the spindle direction by the move command (+). (Only effective on Cs contouring control)
- 0 : When the value of a move command from the CNC is positive (+), the spindle rotates in the CCW direction.
 - 1 : When the value of a move command from the CNC is positive (+), the spindle rotates in the CW direction.
- Change the setting of this parameter when changing the rotation direction of the spindle on Cs contouring control.
- RETRN** Indicates the reference position return direction on Cs contouring control.
- 0 : Returns the spindle from the CCW direction to the reference position (counter clockwise direction).
 - 1 : Returns the spindle from the CW direction to the reference position (clockwise direction).

	15i	16i	30i		#7	#6	#5	#4	#3	#2	#1	#0
	3002	4002	4002					CSDRCT				

CSDRCT Whether to use the rotation direction signal (SFR/SRV) on Cs contouring control

0 : Rotation direction function enabled

- (1) When bit 1 (ROTA2) of No. 4000 = 0, and the value of a move command from the CNC is positive (+)
 - (a) The spindle rotates counterclockwise when input signal SFR(G70#5) is set to 1.
 - (b) The spindle rotates clockwise when input signal SRV(G70#4) is set to 1.
- (2) When bit 1 (ROTA2) of No. 4000 = 1, and the value of a move command from the CNC is positive (+)
 - (a) The spindle rotates clockwise when input signal SFR(G70#5) is set to 1.
 - (b) The spindle rotates counterclockwise when input signal SRV(G70#4) is set to 1.

1 : Rotation direction function disabled

The rotation direction function of the SFR/SRV signal is disabled. Only the function for enabling spindle motor excitation is available.

- (1) When bit 1 (ROTA2) of parameter No. 4000 is set to 0
When the value of a move command from the CNC is positive (+), and SFR/SRV = 1, the spindle rotates in the CCW direction.
- (2) When bit 1 (ROTA2) of parameter No. 4000 is set to 1
When the value of a move command from the CNC is positive (+), and SFR/SRV = 1, the spindle rotates in the CW direction.

	15i	16i	30i		#7	#6	#5	#4	#3	#2	#1	#0
	3005	4005	4005									CS360M

CS360M Sets the detection unit for Cs contouring control.

0 : 0.001°

1 : 0.0001°

Set 0 usually. When a α iCZ sensor (analog, serial) is used as the position detector and the setting unit IS-C is used, set 1.

15i	16i	30i	#7	#6	#5	#4	#3	#2	#1	#0
3016	4016	4016				IDLPTN	FFSMTH			

FFSMTH Specifies whether to use the smoothing function under feed-forward control.
 0 : Don't use the smoothing function.
 1 : Uses the smoothing function.
 This bit specifies whether to use the smoothing function under feed-forward control on Cs contouring control mode.

IDLPTN Setting related to the motor voltage control characteristics on Cs contouring control or servo mode (rigid tapping)
 Set this bit to 1 when setting a value less than 100 as the motor voltage on Cs contouring control (No. 4086) or as the motor voltage on servo mode (No. 4085).

15i	16i	30i	
3021	4021	4021	Maximum speed on Cs contouring control mode

Unit of data : 1min^{-1} (10min^{-1} when parameter No.4006#2 (SPDUNT) is set to 1)
 Valid data range : 0 to 32767
 Standard setting : 100
 This parameter specifies the maximum speed of a spindle operating on Cs contouring control mode.
 When 0 is specified as the parameter for the feedrate for reference position return on Cs contouring control mode (parameter No. 4074), reference position return is performed at the speed specified as the maximum speed in this parameter.

15i	16i	30i	
3036	4036	-	Feed-forward coefficient

Unit of data : 1%
 Valid data range : 0 to 100
 Standard setting : 0
 Set the feed-forward coefficient when feed-forward control is executed on Cs contouring control.

15i	16i	30i	
3037	4037	4037	Velocity loop feed-forward coefficient

Unit of data :
 Valid data range : 0 to 32767
 Standard setting : 0
 Set a velocity loop feed-forward coefficient when feed-forward control is executed on Cs contouring control. Use the following expression to determine a value to be set:

$$\text{Setting} = 214466 \times \frac{[\text{spindle inertia} + \text{rotor inertia}](\text{kg}\cdot\text{m}^2)}{\text{Maximum motor torque (N}\cdot\text{m)}}$$

15i 16i
3046 4046
3047 4047

Velocity loop proportional gain on Cs contouring control (HIGH)	CTH1A=0
Velocity loop proportional gain on Cs contouring control (LOW)	CTH1A=1

Unit of data :
Valid data range : 0 to 32767
Standard setting : 30

These parameters specify the proportional gains of the velocity loop on Cs contouring control mode.
When the input signal CTH1A = 0, (HIGH) is selected. When the input signal CTH1A = 1, (LOW) is selected.

15i 16i 30i
3054 4054 4054
3055 4055 4055

Velocity loop integral gain on Cs contouring control (HIGH)	CTH1A=0
Velocity loop integral gain on Cs contouring control (LOW)	CTH1A=1

Unit of data :
Valid data range : 0 to 32767
Standard setting : 50

These parameters specify the integral gains of the velocity loop for Cs contouring control mode.
When the input signal CTH1A = 0, (HIGH) is selected. When the input signal CTH1A = 1, (LOW) is selected.

15i 16i 30i
3056 4056 4056
3057 4057 4057
3058 4058 4058
3059 4059 4059

Gear ratio (HIGH)	CTH1A=0, CTH2A=0
Gear ratio (MEDIUM HIGH)	CTH1A=0, CTH2A=1
Gear ratio (MEDIUM LOW)	CTH1A=1, CTH2A=0
Gear ratio (LOW)	CTH1A=1, CTH2A=1

Unit of data : (Motor rotation for one rotation of spindle) / 100
(When parameter No. 4006 #1 (GRUNIT) is 1, motor rotation / 1000)
Valid data range : 0 to 32767
Standard setting : 100

These parameters set the gear ratio of the spindle motor to the spindle. When the motor rotates 2.5 times for every rotation of the spindle, for example, set 250 in the parameter.
A parameter is selected by the CTH1A and CTH2A input signals. The gear or clutch status must correspond to the status of the CTH1A and CTH2A input signals.

NOTE
When an improper value is set in these parameters, an unexpected operation can occur. For example, the spindle does not stop but keeps rotating at the time of orientation. So, be sure to set a proper gear ratio.

15i 16i 30i
 3069 4069 4069
 3070 4070 4070
 3071 4071 4071
 3072 4072 4072

Position gain on Cs contouring control (HIGH)	CTH1A=0, CTH2A=0
Position gain on Cs contouring control (MEDIUM HIGH)	CTH1A=0, CTH2A=1
Position gain on Cs contouring control (MEDIUM LOW)	CTH1A=1, CTH2A=0
Position gain on Cs contouring control (LOW)	CTH1A=1, CTH2A=1

Unit of data : 0.01sec⁻¹
 Valid data range : 0 to 32767
 Standard setting : 3000

These parameters specify the position gains used on Cs contouring control mode.

A parameter is selected by the input signals CTH1A and CTH2A.

15i 16i 30i
 3074 4074 4074

Speed for return to reference position on Cs contouring control mode/servo mode
--

Unit of data : 1min⁻¹
 Valid data range : 0 to 32767
 Standard setting : 0

- When 0 is set
 The value set in No. 4021 (maximum spindle speed) is used as a reference position return speed on Cs contouring control.
- When a value other than 0 is set
 The value set in this parameter is used as a reference position return speed on Cs contouring control.

NOTE

An overshoot can occur at reference position return time for a cause such as an excessively high reference position return speed by setting the parameter No. 4021 (maximum spindle speed on Cs contouring control mode). In this case, set this parameter.

15i 16i 30i
3086 4086 4086

Motor voltage setting on Cs contouring control

Unit of data : 1%
Valid data range : 0 to 100
Standard setting : 100

Set the motor voltage to "100", when Cs contouring control is in operation.

NOTE

When the maximum speed for Cs contouring control (in terms of motor axis) is higher than the base speed of the spindle motor (No. 4100 for high-speed characteristics and No. 4138 for low-speed characteristics), set a value less than "100" in this parameter.

$$\text{Motor voltage (\%)} = 100 \times \frac{\text{Spindle motor base speed}}{\text{Maximum speed in Cs contouring control (in terms of motor shaft)}}$$

In this case, also set bit 4 of parameter No. 4016 to "1" as the setting related to motor voltage control characteristics on Cs contouring control.

15i 16i 30i
3092 4092 4092

The reduction rate of position loop gain in returning to the reference position on Cs contouring mode

Unit of data : 1%
Valid data range : 0 to 100
Standard setting : 100

This parameter specifies a rate of change in the position gain used for reference position return on Cs contouring control mode.

NOTE

An overshoot can occur at reference position return time for a cause such as an excessively high reference position return speed and an excessively large spindle inertia. In this case, an overshoot can be avoided by setting a small value in this parameter.

15i 16i 30i
3094 4094 4094

The constant of the torque disturbance compensating (Acceleration feedback gain)

Unit of data :
Valid data range : 0 to 32767
Standard setting : 0

This parameter specifies the constant for compensating for a disturbance torque on Cs contouring control mode.

NOTE

By setting this parameter, stability in cutting can be improved.
In this parameter, set a value from 500 to 2000.
Do not set a value exceeding 4000.

15i 16i 30i
3097 4097 4097

Spindle speed feedback gain

Unit of data :
Valid data range : 0 to 32767
Standard setting : 0

This parameter is set to feed back spindle speed and compensate for torque disturbance on Cs contouring control in systems where spindles and spindle motors are linked by gears or belts.

NOTE

When a belt is used to connect the spindle with the motor, control stability may be improved by feeding back the spindle speed.
In this parameter, set about the same value (10 to 50) as specified in parameter No. 4046 (velocity loop proportional gain), or a smaller value.

15i 16i 30i
3099 4099 4099

Delay time for motor excitation

Unit of data : 1ms
Valid data range : 0 to 32767
Standard setting : 0

This parameter specifies the time required to achieve stable motor excitation on rigid tapping mode or Cs contouring control mode.

NOTE

At the time of switching from the velocity control mode to Cs contouring control mode, the stop time excessive error alarm can be issued intermittently. This is because the excitation state of the spindle motor changes abruptly, and therefore a transient state occurs in the motor, thus moving the motor shaft slightly.
In such a case, set this parameter. In general, set a value from about 300 to 400 (300 to 400 msec).

15i 16i 30i
3131 4131 4131

Velocity detection filter time constant (on Cs contouring control)

Unit of data : 0.1ms
Valid data range : 0 to 10000
Standard setting value : 0

This parameter sets a filter time constant for the velocity feedback signal on Cs contouring control. Usually, set 0.

15i 16i 30i
3135 4135 4135

Grid shift amount on Cs contouring control

Unit of data : 1 pulse unit (=0.001°) (0.0001° when bit 0 (CS360M) of parameter No. 4005 is set to 1)
Valid data range : -360000 to +360000
(-3,600,000 to +3,600,000 when bit 0 (CS360M) of parameter No. 4005 is set to 1)
Standard setting value : 0

Use this parameter to shift the machine reference position on Cs contouring control.

The machine reference position of the spindle shifts by the set number of pulses in the CCW direction.

15i 16i 30i
 3162 4162 4162
 3163 4163 4163

Velocity loop integral gain for cutting feed on Cs contouring control(HIGH)	CTH1A=0
Velocity loop integral gain for cutting feed on Cs contouring control(LOW)	CTH1A=1

Unit of data :
 Valid data range : 0 to 32767
 Standard setting value : 0

These parameters set a velocity loop integral gain for cutting feed (G01, G02, G03) on Cs contouring control. When the input signal CTH1A = 0, (HIGH) is selected. When the input signal CTH1A = 1, (LOW) is selected.

NOTE
 When 0 is set in these parameters, the values set in No. 4054 and No. 4055 (velocity loop integral gain on Cs contouring control) are valid.

15i 16i 30i
 3342 4342 4342
 3343 4343 4343

Velocity loop gain override in Cs contouring control (HIGH)	CTH1A=0
Velocity loop gain override in Cs contouring control (LOW)	CTH1A=1

Unit of data : 1%
 Valid data range : 0 to 3000
 Standard setting value : 0

These parameters specify override of velocity loop proportional gain and integral gain for Cs contouring control mode. If the set value is "0", it is treated as "100".

NOTE
 This parameter is valid with
 9D50 series S (19) edition or later
 9D70 series I (09) edition or later
 9D80 series C (03) edition or later.

15i 16i 30i
 - - 4344

Advanced preview feed-forward coefficient
--

Unit of data : 0.01%
 Valid data range : 0 to 10000
 Standard setting value : 0

This parameter sets a feed-forward coefficient for exercising feed-forward control when Cs contouring control is used.

			#7	#6	#5	#4	#3	#2	#1	#0
15i	16i	30i			CSPTRE					
-	4353	4353								

CSPTRE Sets the Cs axis position data transfer function.
 0 : Disables the Cs axis position data transfer function.
 1 : Enables the Cs axis position data transfer function.
 Set this parameter to 1 when using the Cs axis coordinate establishment function.

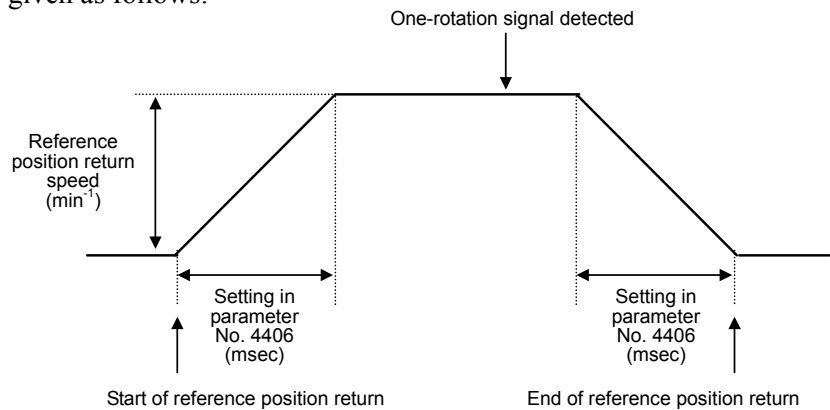
NOTE
 This parameter is valid with 9D50 series G (07) edition or later, 9D70 series A (01) edition or later, and 9D80 series A (01) edition or later.

15i	16i	30i
3406	4406	4406

Acceleration/deceleration time constant for Cs contouring control/servo mode

Unit of data : 1msec
 Valid data range : 0 to 32767
 Standard setting : 0

This parameter set the reference position return acceleration for Cs contouring control or servo mode (rigid tapping/spindle positioning). Use of this parameter can reduce the shock due to acceleration/deceleration during return to the reference position. The spindle speed command during return to the reference position is then given as follows:



NOTE

- 1 When 0 is set in this parameter, a velocity command is assumed as follows.
 - Before detecting the one-rotation signal:
Reference position return speed (step-type velocity command)
 - After detecting the one-rotation signal:
Distance to the reference position × Position gain
- 2 This parameter is enabled when soft start/stop signal SOCNA is 1.

2.4.9 Diagnosis (Diagnosis Screen)

Address			Description	Unit
15i	16i	30i		
-	0418	-	Position error value of the first spindle	Pulse
1540	-	0418	Position error value of the spindle	Pulse

2.4.10 Alarm

This Subsection provides a list of the alarms related to Cs contouring control only. For details of alarms, refer to the Connection Manual (Function) of each CNC.

- (a) For Series 16i/18i/21i
 “FANUC Series 16i/18i/21i-MODEL B
 CONNECTION MANUAL (FUNCTION) : B-63523EN-1
 Refer to Section 9.9, “Cs CONTOUR CONTROL.”
- (b) For Series 30i/31i/32i
 “FANUC Series 30i/31i/32i-MODEL A
 CONNECTION MANUAL (FUNCTION) : B-63943EN-1
 Refer to Section 11.9, “Cs CONTOUR CONTROL.”
- (c) For Series 15i
 “FANUC Series 15i-MODEL B
 CONNECTION MANUAL (FUNCTION) : B-63783EN-1
 Refer to Section 9.7, “Cs CONTOUR CONTROL.”
- (d) For Series 0i
 “FANUC Series 0i-MODEL C
 CONNECTION MANUAL (FUNCTION) : B-64113EN-1
 Refer to Section 9.8, “Cs CONTOUR CONTROL.”

(1) Series 16i

Alarm No.	Description
194	Cs contouring control is specified in serial spindle synchronous control mode.
197	A move command was issued from a program when the input signal CON (bit 7 of G027) is off.
751	An alarm was issued on the serial spindle amplifier side.
752	Switching to Cs contouring control mode is not terminated normally.

(2) Series 30i

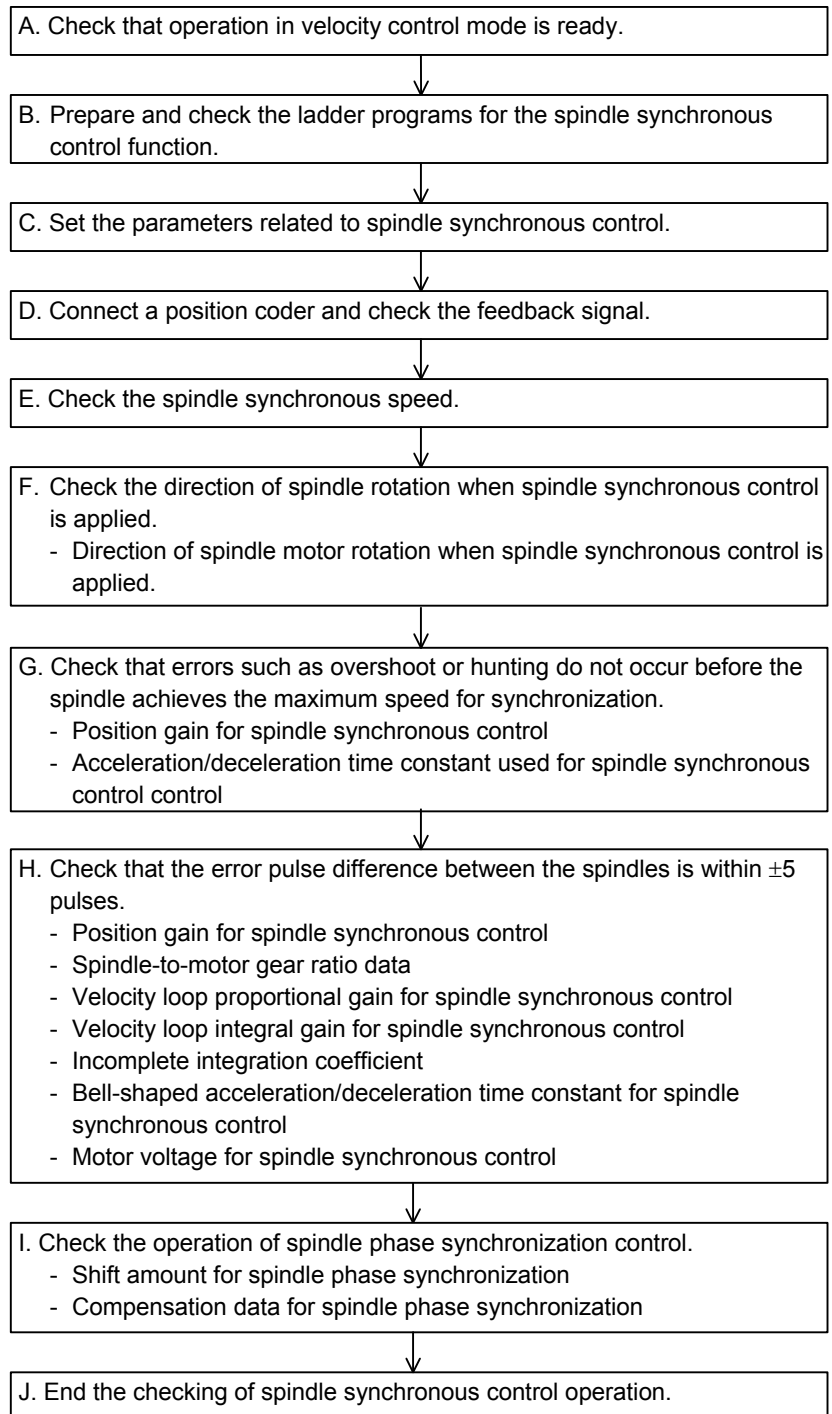
Alarm No.	Description
PS0194	Cs contouring control is specified in serial spindle synchronous control mode.
PS0197	A move command was issued from a program when the input signal CON (bit 7 of G027) is off.
SP0752	Switching to Cs contouring control mode is not terminated normally.

(3) Series 15i

Alarm No.	Description
PS0571	A move command for Cs contouring control was issued for an axis not placed on Cs contouring control mode.
PS0572	A Cs contouring control axis command was issued for an axis in motion.

2.5 SPINDLE SYNCHRONOUS CONTROL (OPTIONAL FUNCTION)

2.5.1 Start-up Procedure



2.5.2 Overview

When, on a machine (such as a lathe) that has two facing spindles, workpiece seizure is to be switched from the first spindle to the second spindle during spindle rotation, or acceleration/deceleration is performed while the first spindle and second spindle hold a workpiece, the two spindles must rotate at the same speed.

When the seizure of a uniquely shaped workpiece is to be switched from one spindle to the other, the two spindles must have the same spindle rotation phase (angular displacement).

The spindle synchronous control function exercises synchronous control between two spindles in these cases.

CAUTION

- 1 To use this function, the CNC software option is required.
- 2 This function cannot be used with FANUC Series 15*i*.

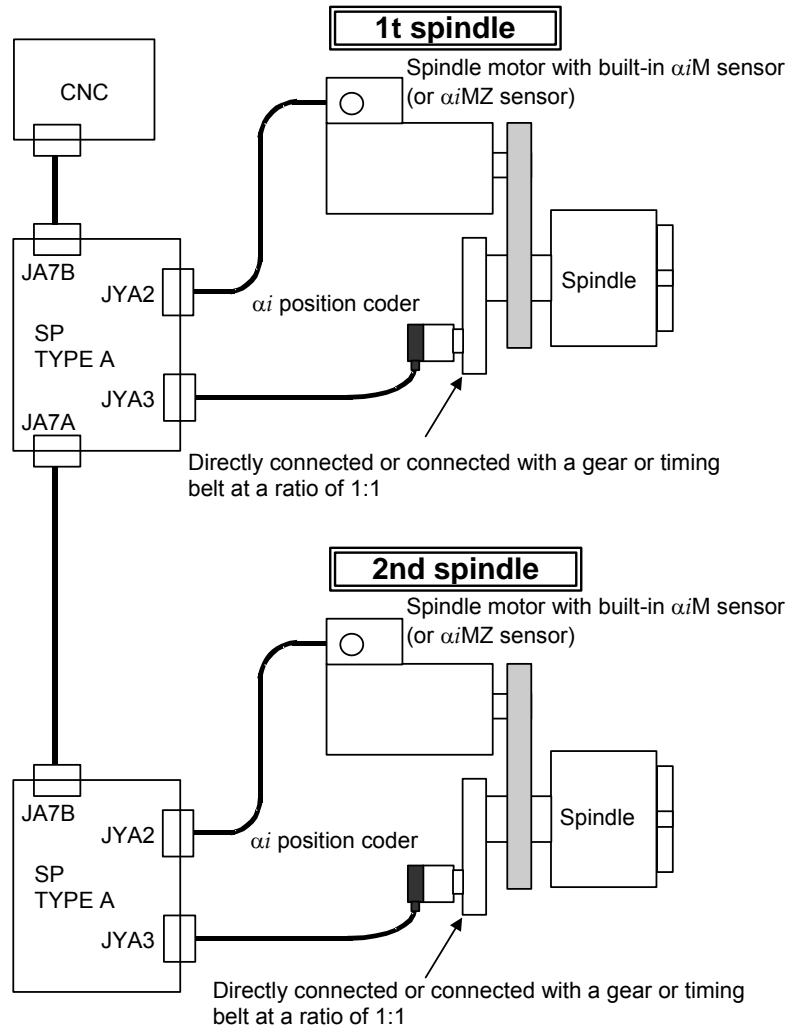
2.5.3 System Configuration

The system configurations that enable the use of the spindle synchronous control function are shown below.

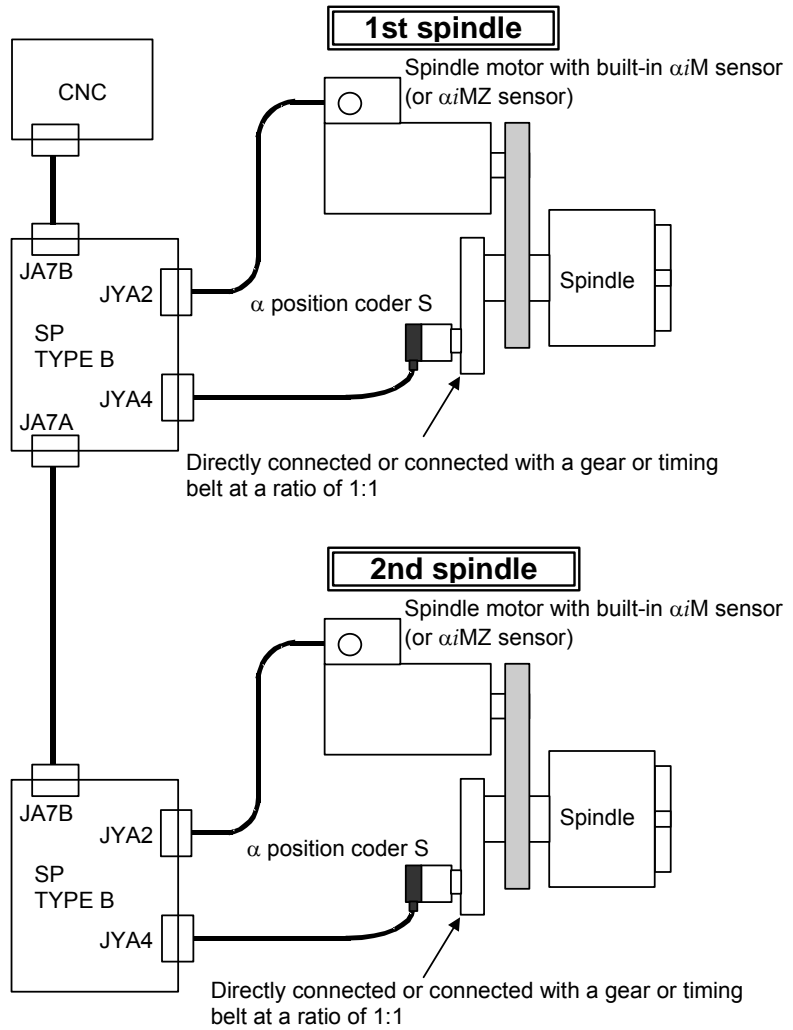
NOTE

- 1 Spindle synchronous control between spindles each having a different detector configuration is possible.
- 2 Spindle synchronous control between different path is possible. For details, see below:
Section 9.12, "SPINDLE SYNCHRONOUS CONTROL", in FANUC Series 16*i*/18*i*/21*i* –MODEL B CONNECTION MANUAL (FUNCTION) (B-63523EN-1)
Section 11.13, "SPINDLE SYNCHRONOUS CONTROL", in FANUC Series 30*i*/31*i*/32*i* –MODEL A CONNECTION MANUAL (FUNCTION) (B-63943EN-1)

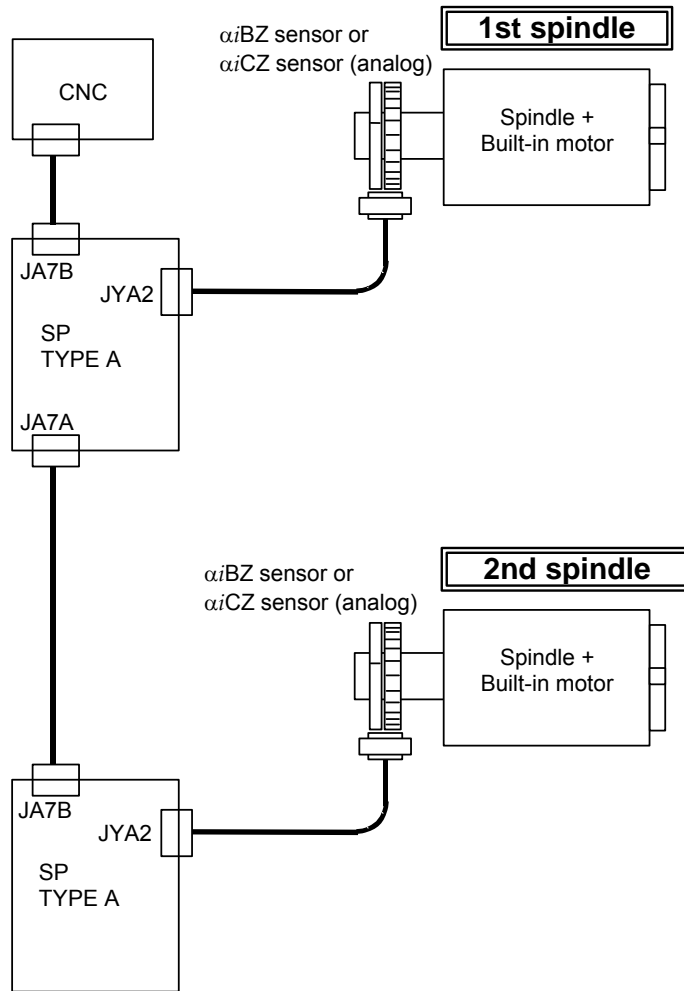
(1) When the αi position coder is used



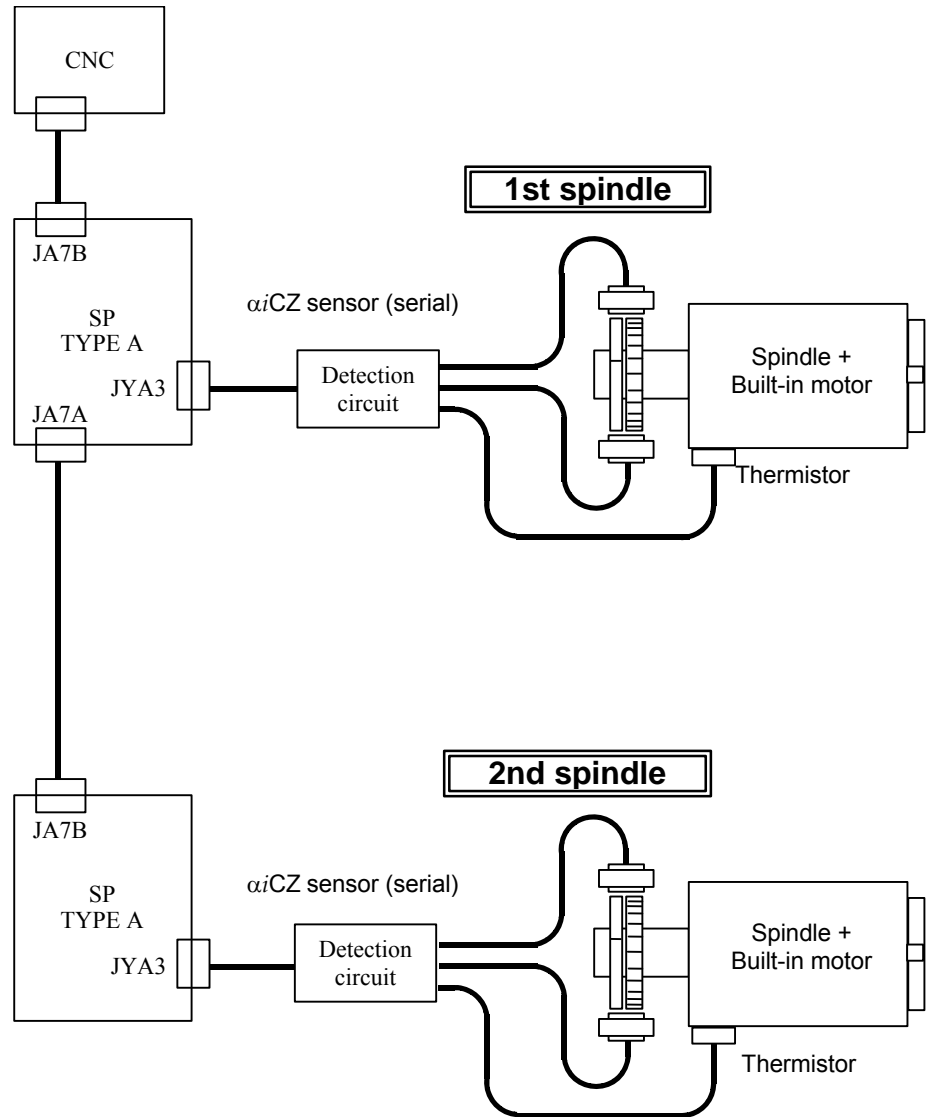
(2) When the α i position coder S is used



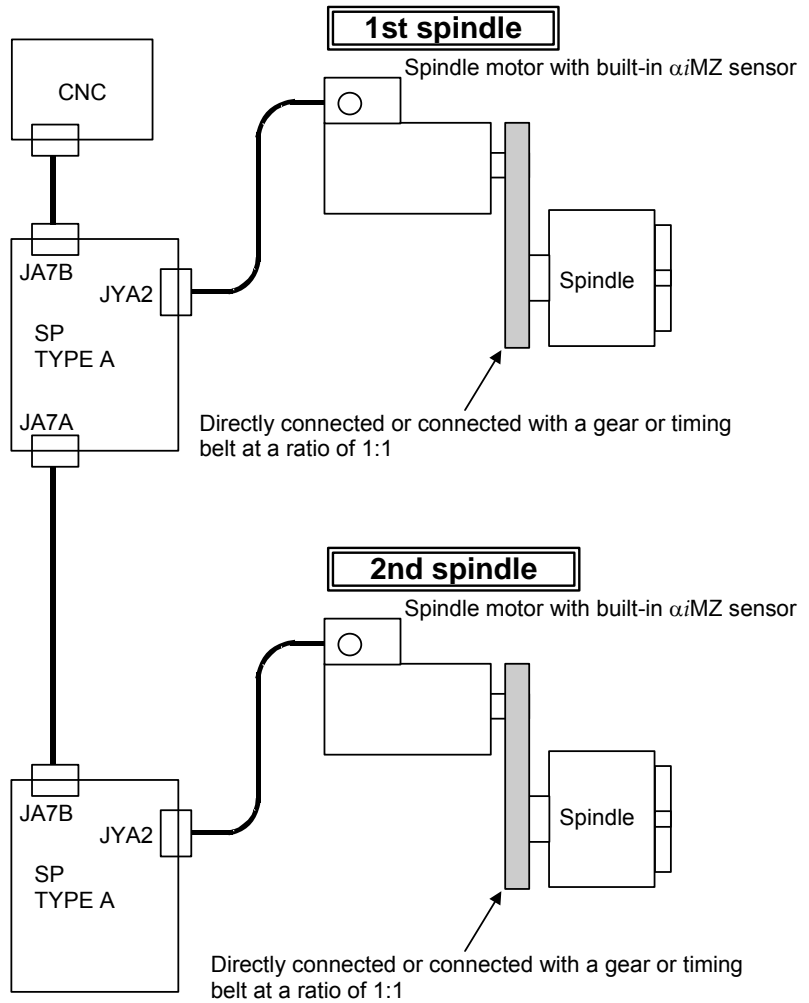
(3) When the built-in motor (α iBZ sensor, α iCZ sensor (analog)) is used



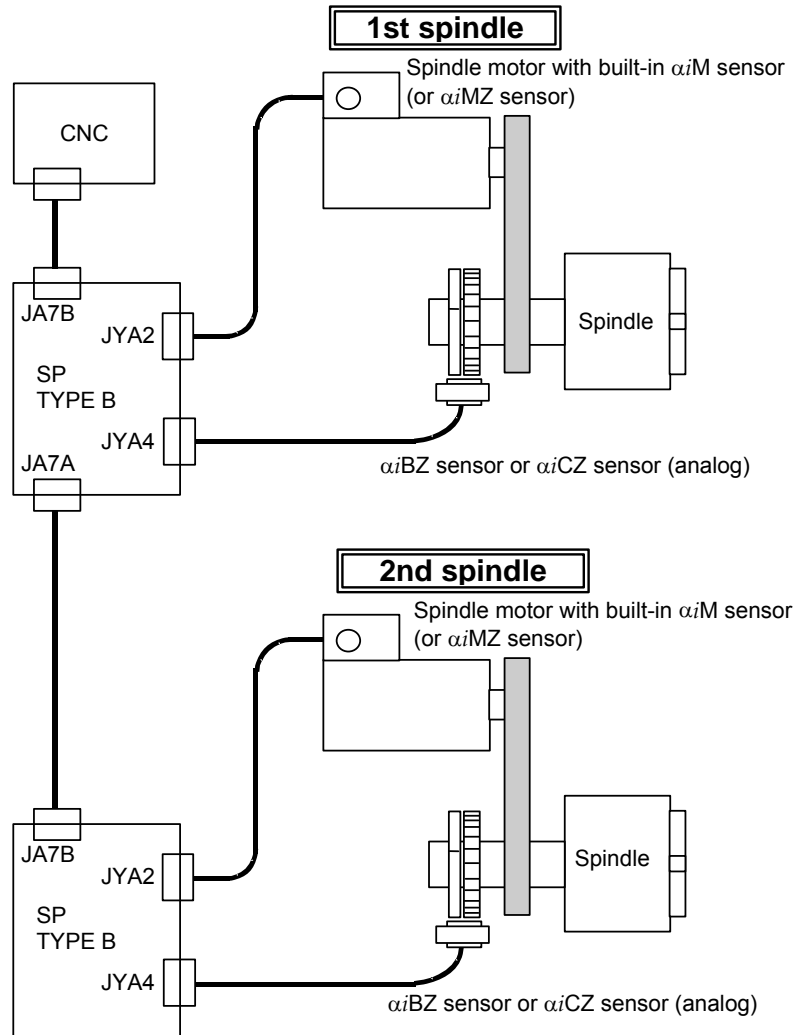
(4) When the built-in motor (α iCZ sensor (serial)) is used



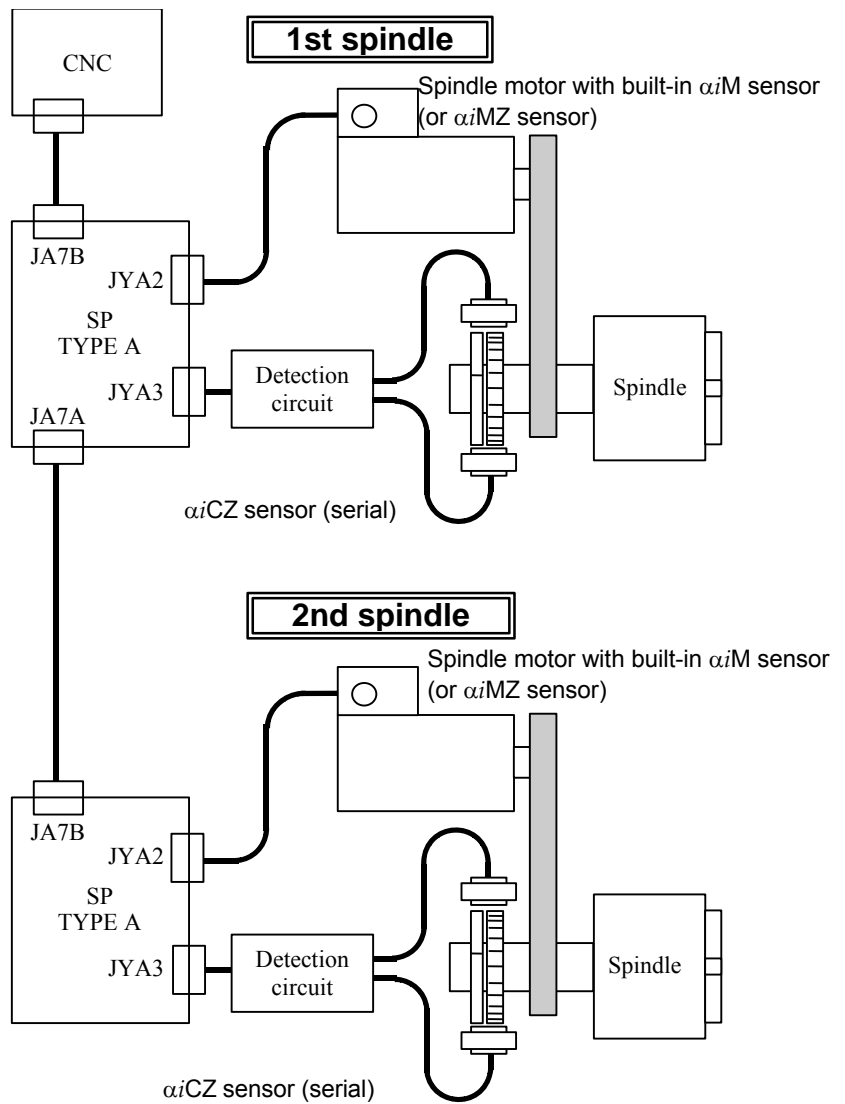
(5) When the spindle motor with built-in α iMZ sensor is used



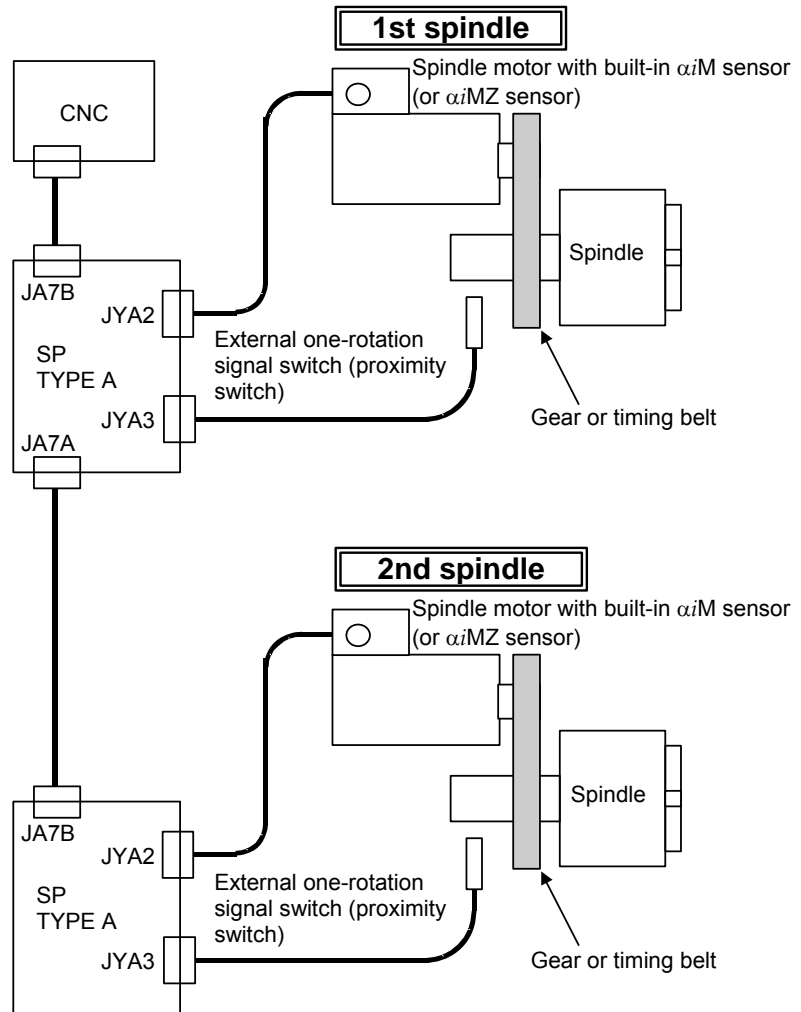
(6) When the separate type α iBZ sensor or separate type α iCZ sensor (analog) is used



(7) When the separate type αi CZ sensor (serial) is used



(8) When the external one-rotation signal (proximity switch) is used



NOTE

- 1 When using the external one-rotation signal (proximity switch), use the detection arbitrary gear ratio function (DMR function).
- 2 When using the detection arbitrary gear ratio function (DMR function), set the following:
 - Parameters (No. 4171 to No. 4174) for the numerator/denominator of an arbitrary gear ratio between the motor sensor and spindle
- 3 Set the type of the external one-rotation signal (proximity switch) (bits 3 and 2 of No. 4004).
- 4 For stable detection of the one-rotation signal, detect the one-rotation signal by performing spindle orientation before entering spindle synchronous control mode.
 For orientation based on the external one-rotation signal, see Section 2.2, "POSITION CODER METHOD ORIENTATION", in Part I.

2.5.4 Explanation of Operation

- (i) If spindle synchronous control is commanded when the two spindles are rotating at different speeds (including stop state), the two spindles are accelerated or decelerated to the commanded speed then enter synchronous control state.
- (ii) If the synchronous speed command is changed after synchronous control state is entered, the spindles are accelerated or decelerated to the new commanded speed with the parameter-set acceleration while synchronous control state is held. If the synchronous speed command is 0 min^{-1} , the spindles stops in synchronism.
- (iii) If spindle synchronous control at a synchronous speed of 0 min^{-1} is commanded when the spindles are in stop state, each spindle automatically makes two to three turns to detect the position coder one-rotation signal (as a preparation for spindle phase synchronous control), then enters synchronous control state.
Next, when the synchronous speed command is changed, the spindles are accelerated with the parameter-set acceleration while synchronous control state is held, until the speed command is changed.
- (iv) When the seizure of a uniquely shaped workpiece needs to be switched between the two spindles, the rotation phase (angular displacement) of one spindle must match that of the other.
If a spindle phase synchronous control command is entered when the two spindles are rotating in synchronous control state, each spindle is controlled to have the parameter-set rotation phase (a momentary speed change occurs at this time), then enters synchronous control state again.
A rotation phase match can be secured by matching the reference positions of the two spindles by parameter setting beforehand.
- (v) If the two spindles enter synchronous control state at a specified synchronous speed of 0 min^{-1} , and a phase synchronous control command is then entered, each spindle rotates and stops to achieve a parameter-set phase. This operation is performed as if spindle positioning (spindle orientation) is performed while the spindles are stopped. As a result, the reference position of one spindle matches that of the other (phase synchronization).
If the synchronous speed command is changed after the two spindles seize a uniquely shaped workpiece, the two spindles are accelerated to the new specified speed with the parameter-set acceleration while synchronous control state is held.
- (vi) Even in the state where the two spindles are seizing a workpiece in synchronous control state, constant surface speed control can be exercised.
However, even if a speed change greater than the parameter-set acceleration is commanded, the speed changes within the parameter-set acceleration.
- (vii) Do not change the rotation direction command (SFRA, SRVA) during synchronous control.

NOTE
 For details, see below:
 Section 9.12, "SPINDLE SYNCHRONOUS CONTROL", in FANUC Series 16i/18i/21i -MODEL B CONNECTION MANUAL (FUNCTION) (B-63523EN-1).
 Section 11.13, "SPINDLE SYNCHRONOUS CONTROL", in FANUC Series 30i/31i/32i -MODEL A CONNECTION MANUAL (FUNCTION) (B-63943EN-1).
 Section 9.11, "SPINDLE SYNCHRONOUS CONTROL", in FANUC Series 0i -MODEL C CONNECTION MANUAL (FUNCTION) (B-64113EN-1).

2.5.5 I/O Signals (CNC↔PMC)

(1) Address list of input signals (PMC→CNC)

	16i	30i	#7	#6	#5	#4	#3	#2	#1	#0
Common to all axes	G038	G038					SPPHS	SPSYC		
Common to all axes	G032	G032	R08I	R07I	R06I	R05I	R04I	R03I	R02I	R01I
Common to all axes	G033	G033			SSGN		R12I	R11I	R10I	R09I
1st-	G070	G070			SFRA	SRVA	CTH1A	CTH2A		
2nd-	G074	G074			SFRB	SRVB	CTH1B	CTH2B		
1st-	G071	G071			INTGA					
2nd-	G075	G075			INTGB					

(2) Details of input signals (PMC→CNC)

(a) Spindle synchronous control signal SPSYC

- [Function] Specifies switching to spindle synchronous control mode.
 [Operation] When this signal is set to 1, spindle synchronous control mode is set.
 When this signal is set to 0, spindle synchronous control mode is cancelled.

(b) Spindle phase synchronous control signal SPPHS

- [Function] Specifies spindle phase synchronous control mode (phase matching).
 (i) This function is valid when the spindle synchronous control signal SPSYC is 1.
 (ii) After the spindle synchronous speed control completion signal FSPSY is set to 1, specify this signal.
 (iii) A spindle phase synchronous control operation is performed on the rising edge of this signal. So, the phase once matched is not shifted by setting this signal to 0.
 However, a phase matching operation is performed when this signal is changed from 0 to 1 again.
 [Operation] When this signal makes a transition from 0 to 1, spindle phase synchronous control is exercised.

(c) Velocity integral control signal INTGA

- [Function] Enables or disables velocity integral control.
[Operation] When this signal is set to 1
⇒ The velocity loop integral function is disabled. This has the same effect as the setting of a velocity loop integral gain of 0.
When this signal is set to 0
⇒ The velocity loop integral function is enabled.

NOTE

- 1 When the two spindles seize the same workpiece, a spindle may be fixed at a position slightly displaced from the specified position because the two spindles are mechanically connected.
In this case, an excessively high current can flow because the velocity loop integral function attempts to return the spindle to the specified position.
To prevent this, turn on (set to 1) the velocity integral control signal INTGA to disable the velocity loop integral function if the two spindles are mechanically connected.
- 2 When the velocity integral control signal INTGA is turned on (set to 1), the velocity loop integral function is disabled. So, an increased synchronous error can occur. When the two spindles do not seize the same workpiece, turn off (set to 0) the velocity integral control signal INTGA to enable the velocity loop integral function.

(3) Address list of output signals (CNC→PMC)

	16i	30i	#7	#6	#5	#4	#3	#2	#1	#0
Common to all axes	F044	F044				SYCAL	FSPPH	FSPSY		
1st-	F045	F045					SARA			
2nd-	F049	F049					SARB			

(4) Details of output signals (CNC→PMC)

(a) Spindle synchronous speed control completion signal FSPSY

[Function] Posts that spindle synchronous control (speed synchronization) is completed.

[Output condition] This signal is set to 1 when the following condition is satisfied:

- (i) This signal is output when the two spindles have reached the speed corresponding to a specified spindle synchronous speed and the speed difference between the two spindles is equal to or less than the value set in parameter No. 4033 on spindle synchronous control mode.

This signal is set to 0 when any of the following conditions is satisfied:

- (i) The two spindles have not reached the speed corresponding to a specified spindle synchronous speed on spindle synchronous control mode.
- (ii) The speed difference between the two spindles is greater than the value set in parameter No. 4033 on spindle synchronous control mode.
- (iii) Spindle synchronous control mode is not set.

NOTE

Even if this signal is set to 1 once, this signal is set to 0 when the speed difference becomes equal to or greater than the value set in parameter No. 4033 for a cause such as cutting load variation.

(b) Spindle phase synchronous control completion signal FSPPH

- [Function] Posts that spindle phase synchronous control (phase matching) is completed.
- [Output condition] This signal is set to 1 when the following condition is satisfied:
- (i) This signal is output when phase matching is completed with the spindle phase synchronous control signal (the error pulse difference between the two spindles is equal to or less than the value set in parameter No. 4810) after the two spindles have reached the speed corresponding to a specified spindle synchronous speed on spindle synchronous control mode.
- This signal is set to 0 when any of the following conditions is satisfied:
- (i) Phase matching between the two spindles is not completed on spindle synchronous control mode. The error pulse difference between the two spindles is greater than the value set in parameter No. 4810 on spindle synchronous control mode.
 - (ii) Spindle phase synchronous control mode is not set.

NOTE

Even if this signal is set to 1 once, this signal is set to 0 when the speed difference becomes equal to or greater than the value set in parameter No. 4033 for a cause such as cutting load variation.

(c) Phase error monitoring signal SYCAL

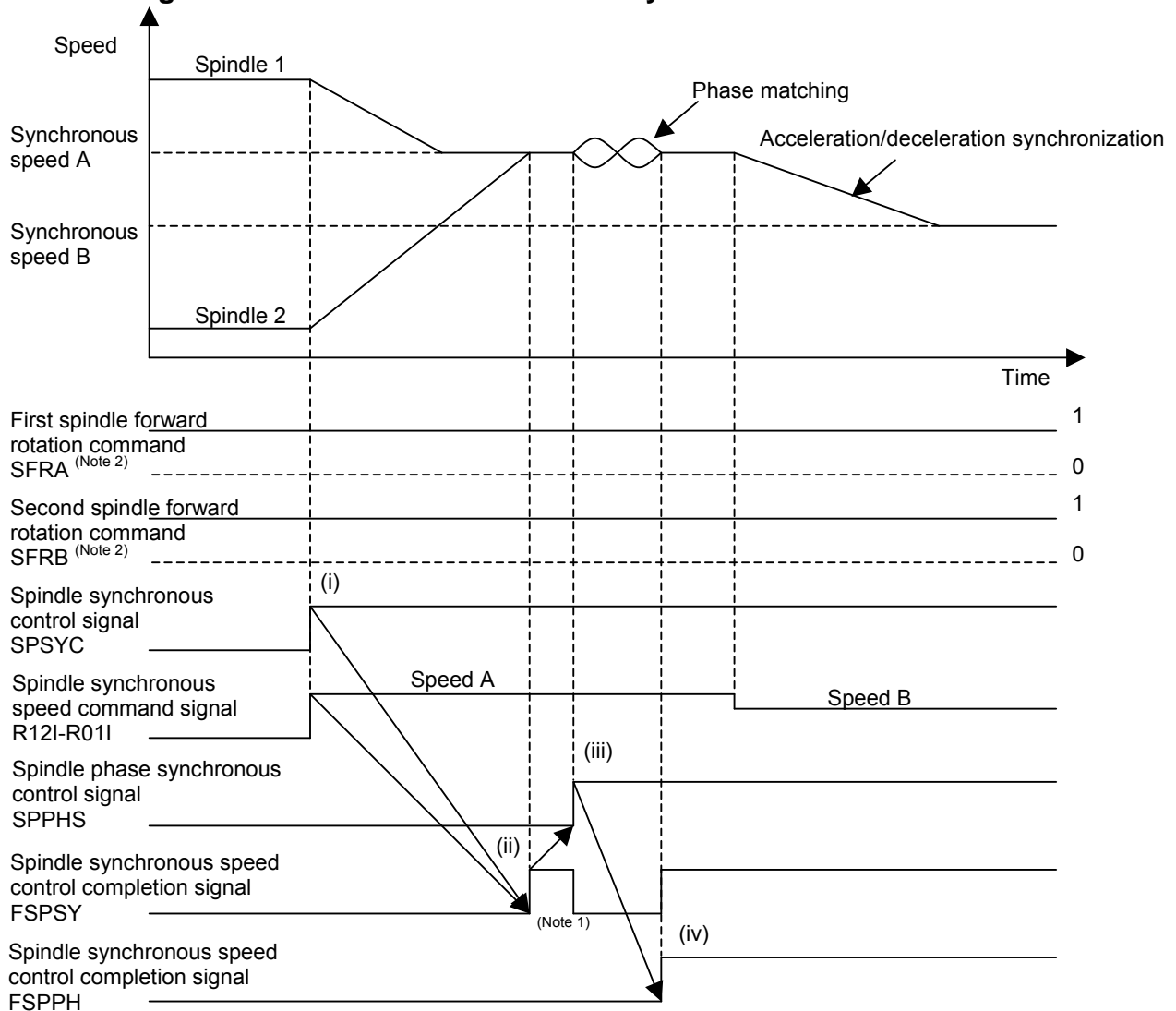
- [Function] Posts that the error pulse difference between the two spindles is greater than the parameter-set value on spindle synchronous control mode.
- [Output condition] This signal is set to 1 when the following condition is satisfied:
- (i) The error pulse difference between the two spindles after spindle synchronous control is completed is greater than the value set in parameter No. 4811 on spindle synchronous control mode.
- This signal is set to 0 when any of the following conditions is satisfied:
- (i) The error pulse difference between the two spindles is equal to or less than the value set in parameter No. 4811 on spindle synchronous control mode.
 - (ii) Spindle phase synchronous control mode is not set.

NOTE

Use this signal to take an action if an error such as an excessive synchronous error occurs for a cause on spindle synchronous control mode.

2.5.6 Examples of Sequences

(1) While spindle 1 is rotating, spindle 2 is accelerated for synchronization with spindle 1, and phase matching is performed. Then, the synchronous speed is also changed for acceleration/deceleration synchronization.

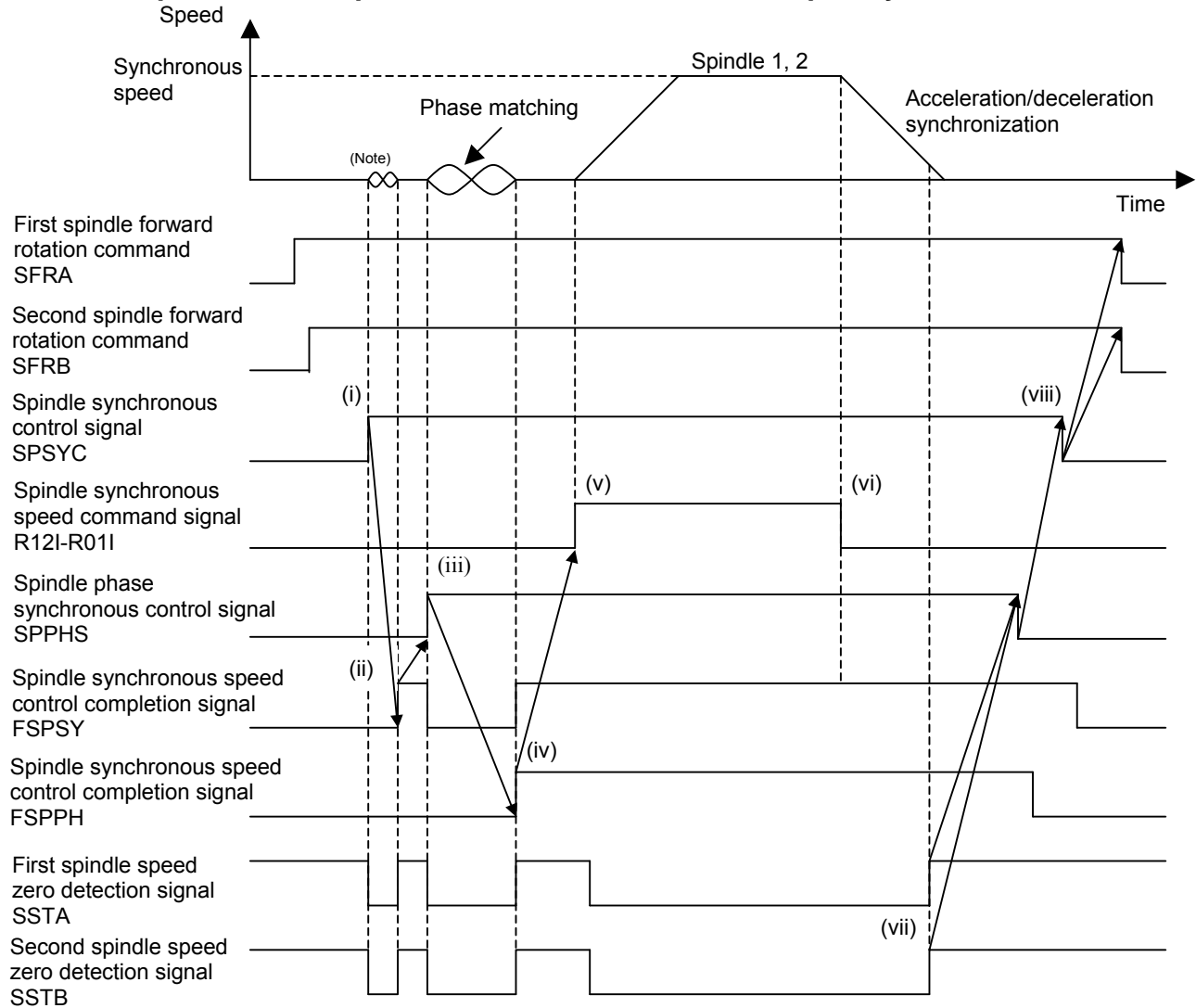


- (i) The spindle synchronous speed command signal is input to set the spindle synchronous control signal SPSYC to 1.
- (ii) The spindle synchronous speed control completion signal FSPSY set to 1 is awaited.
- (iii) The spindle phase synchronous control signal SPPHS is set to 1.
- (iv) The spindle phase synchronous control completion signal FSPPH set to 1 is awaited.

NOTE

- 1 When the spindle phase synchronous control signal is input, the spindle synchronous speed control completion signal is once set to 0, then is set to 1 again upon completion of phase synchronization.
- 2 Set the spindle forward rotation command SFR (or the spindle reverse rotation command SRV) to 1 at all times during spindle synchronous control.

(2) Spindle 1 and spindle 2 perform phase matching in stop state, then are accelerated in synchronism. Next, spindle 1 and spindle 2 are decelerated to a stop in synchronism.

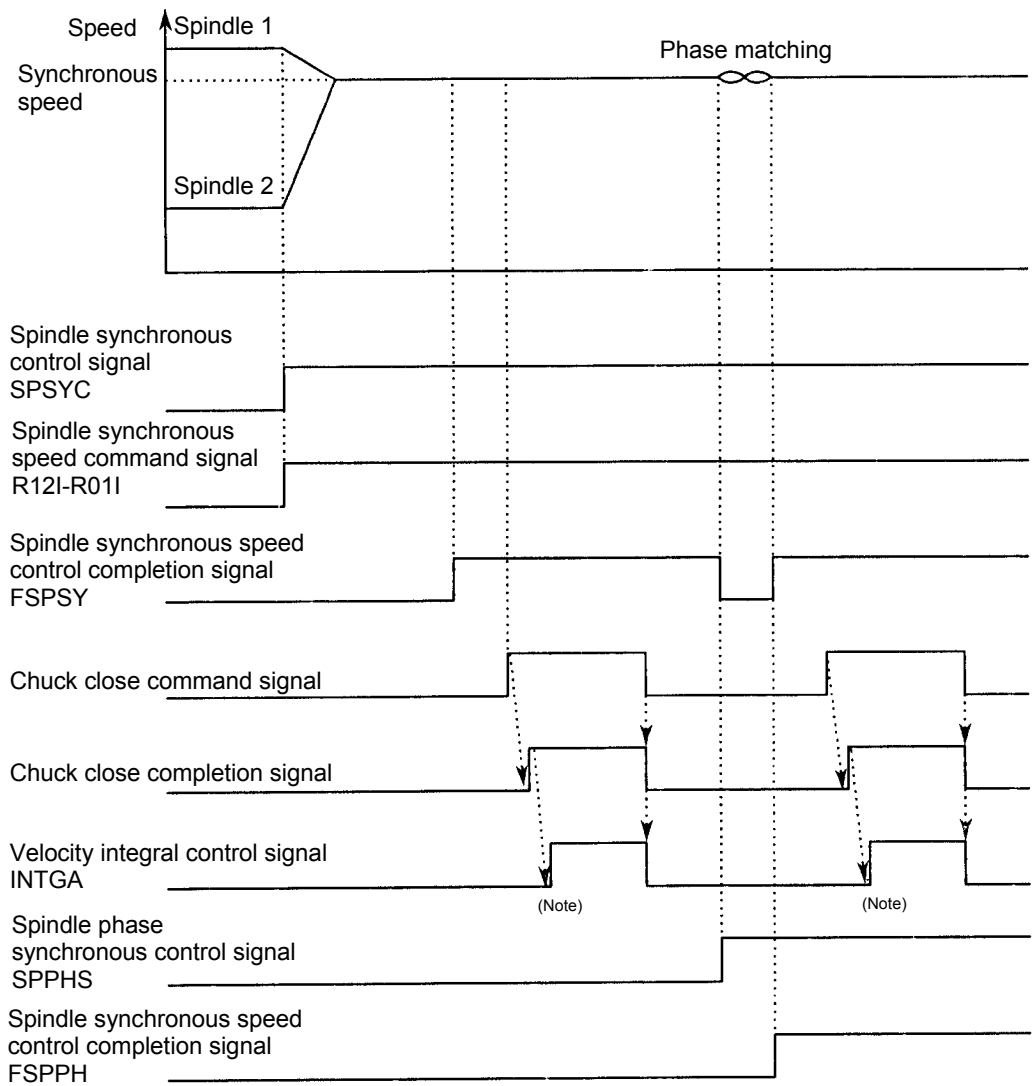


- (i) The spindle synchronous speed command signal is set to 0, and the spindle synchronous control signal SPSYC is set to 1.
- (ii) The spindle synchronous speed control completion signal FSPSY set to 1 is awaited.
- (iii) The spindle phase synchronous control signal SPPHS is set to 1.
- (iv) The spindle phase synchronous control completion signal FSPPH set to 1 is awaited.
- (v) The spindle synchronous speed command signal is input.
- (vi) The spindle synchronous speed command signal is set to 0.
- (vii) The speed zero detection signal of both spindles set to 1 is awaited.
- (viii) The spindle phase synchronous control signal SPPHS is set to 0 and the spindle synchronous control signal SPSYC is set to 0, then the forward rotation command SFR of both spindles is set to 0.

NOTE

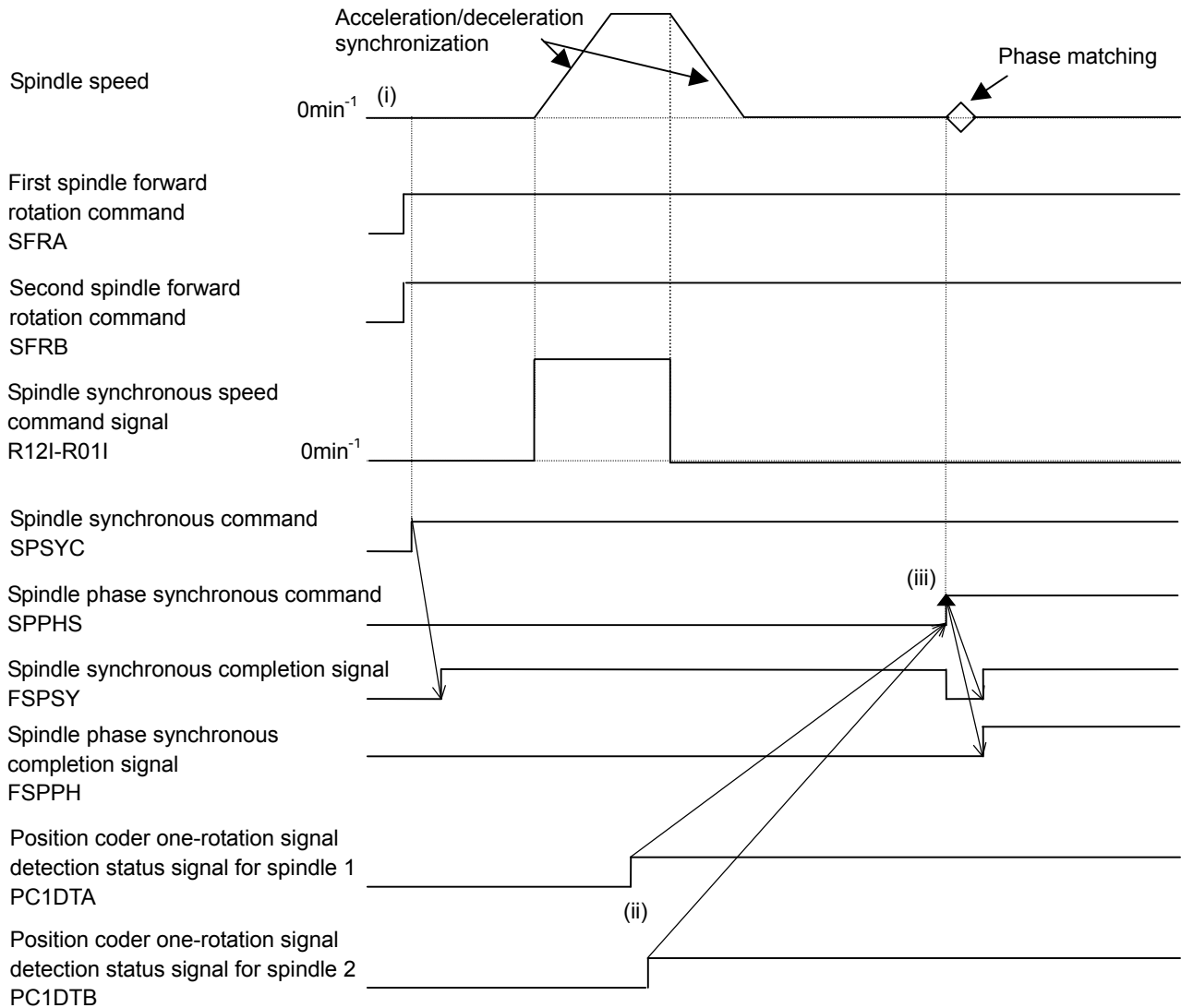
If the mode is switched to the spindle synchronous control mode when a one-rotation signal is undetected, a one-rotation signal detection operation is automatically performed. So, the spindle automatically makes 2 to 3 turns even if such turns are not attempted. If both spindles are mechanically connected with each other and one-rotation signal detection operation is disabled, or spindle phase synchronous control is not exercised, automatic detection can be disabled by setting bit 3 of parameter No. 4006.

(3) When the velocity integral control signal is used



NOTE
 Turn on (set to 1) the velocity integral control signal INTGA only when the two spindles are seizing the same workpiece. If the signal is turned on (set to 1) in other cases, the velocity loop integral function is disabled. So, an increased synchronous error can result.

(4) When phase synchronous control is performed without automatically detecting the one-rotation signal (Parameter No. 4006#3=1)



- *1 When a spindle synchronous command is input, the one-rotation signal detection operation is not performed, and the spindle is stopped.
- *2 During rotation at a speed of several ten min⁻¹ or higher, the one-rotation signal is detected automatically, and the position coder one-rotation signal detection status signal is set to 1.
- *3 Before inputting the phase synchronous command, check that the position coder one-rotation signal detection status signals of both spindles have been set to 1.

2.5.7 Related Parameters

Parameter No.		Description
16i	30i	
4800#0	-	Direction of rotation of the 1st spindle motor while synchronous control is applied
4800#1	-	Direction of rotation of the 2nd spindle motor while synchronous control is applied
-	4801#0	Direction of rotation of each spindle motor while synchronous control is applied
4810	4810	Error pulse difference between the two spindles for which to output the spindle phase synchronous control completion signal
4811	4811	Error pulse difference between the two spindles for which to output the phase synchronous error monitor signal (SYCAL)
4002#6	4002#6	Whether to enable the rotation direction signal (SFR/SRV) function on spindle synchronous control
4006#1	4006#1	Gear ratio increment system
4006#3	4006#3	Setting for disabling automatic one-rotation signal detection at spindle synchronous control mode switching time
4032	4032	Acceleration used for spindle synchronous control (The same value must be set for both the 1st and 2nd spindles.)
4033	4033	Spindle synchronous speed arrival level
4034	4034	Shift amount for spindle phase synchronous control
4035	4035	Compensation data for spindle phase synchronous control
4044	4044	Velocity loop proportional gain for spindle synchronous control
4045	4045	(A parameter is selected by the CTH1A PMC input signal.)
4052	4052	Velocity loop integral gain for spindle synchronous control
4053	4053	(A parameter is selected by the CTH1A PMC input signal.)
4056 to 4059	4056 to 4059	Spindle-to-motor gear ratio data (A parameter is selected by the CTH1A and CTH2A PMC input signals.)
4065 to 4068	4065 to 4068	Position gain for spindle synchronous control (The same value must be specified for both the 1st and 2nd spindles.) (A parameter is selected by the CTH1A and CTH2A PMC input signals.)
4085	4085	Motor voltage for spindle synchronous control
4171	4171	Denominator of arbitrary gear ratio between motor sensor and spindle
4173	4173	(This data is selected by spindle control input signals CTH1A.)
4172	4172	Numerator of arbitrary gear ratio between motor sensor and spindle
4174	4174	(This data is selected by spindle control input signals CTH1A.)
4336	4336	Magnetic flux switching point used for calculating an acceleration/deceleration time constant used for spindle synchronous control (The same value must be specified for both the 1st and 2nd spindles.)
4340	4340	Bell-shaped acceleration/deceleration time constant for spindle synchronous control (The same value must be specified for both the first and second spindles.)
4346	4346	Incomplete integration coefficient
4515	4515	Excessive speed deviation alarm detection level on spindle synchronous control
4516	4516	Excessive positional deviation alarm detection level on spindle synchronous control

NOTE

- 1 For the detector-related parameters, see Section 1.3, "PARAMETERS RELATED TO DETECTORS", in Part I.
- 2 For velocity loop proportional/integral gain adjustment, see Section 4.1, "VELOCITY LOOP GAIN ADJUSTMENT", in Part I.

2.5.8 Details of Related Parameters

This Subsection details the serial spindle parameters (in the four thousands for 16*i* and 30*i*) among the parameters related to spindle synchronous control. For details of other parameters, refer to the Connection Manual (Function) of each CNC.

- (a) For Series 16*i*/18*i*/21*i*
 “FANUC Series 16*i*/18*i*/21*i*-MODEL B
 CONNECTION MANUAL (FUNCTION) : B-63523EN-1
 Refer to Section 9.12, “SPINDLE SYNCHRONOUS CONTROL.”
- (b) For Series 30*i*/31*i*/32*i*
 “FANUC Series 30*i*/31*i*/32*i*-MODEL A
 CONNECTION MANUAL (FUNCTION) : B-63943EN-1
 Refer to Section 11.13, “SPINDLE SYNCHRONOUS CONTROL.”
- (c) For Series 0*i*
 “FANUC Series 0*i*-MODEL C
 CONNECTION MANUAL (FUNCTION) : B-64113EN-1
 Refer to Section 9.11, “SPINDLE SYNCHRONOUS CONTROL.”

16 <i>i</i>	30	#7	#6	#5	#4	#3	#2	#1	#0
4002	4002		SYCDRT						

SYCDRT Whether to enable the rotation direction signal (SFR/SRV) function on spindle synchronous control

- 0 : Enables the rotation direction function.
 If a move command from the CNC is positive (+),
 - (a) The spindle rotates in the CCW (counterclockwise) direction when the input signal SFR (bit 5 of G70) = 1.
 - (b) The spindle rotates in the CW (clockwise) direction when the input signal SRV (bit 4 of G70) = 1.
- 1 : Disables the rotation direction function.
 If a move command from the CNC is positive (+), the spindle rotates in the CCW (counterclockwise) direction when the input signal SFR = 1 or SRV = 1.

		#7	#6	#5	#4	#3	#2	#1	#0
16i	30i					SYCREF		GRUNIT	
4006	4006								

GRUNIT Sets a gear ratio setting resolution:
 0 : 1/100 unit
 1 : 1/1000 unit
 Select a gear ratio data setting resolution from the following:
 (a) Resolution based on motor speed increased by a factor of 100 relative to one spindle rotation
 (b) Resolution based on motor speed increased by a factor of 1000 relative to one spindle rotation
 Depending on the setting of this parameter, the increment system of the parameters indicated in the table below changes.

Parameter No.		Description
16i	30i	
4056 to 4059	4056 to 4059	Spindle-to-motor gear ratio data

NOTE

- 1 Usually, use the 1/100 unit (setting “0”).
- 2 When the 1/100 unit is set as the gear ratio setting resolution (with the bit set to 0), a steady-state synchronous error may be indicated due to the fraction of the gear ratio.
 In such a case, the synchronous error can be improved when the 1/1000 unit is set as the gear ratio setting resolution (with the bit set to 1).

SYCREF Setting for function performing automatic detection of the one-rotation signal on spindle synchronous control
 0 : Automatic detection of the one-rotation signal carried out
 1 : Automatic detection of the one-rotation signal not carried out.
 (When spindle phase synchronous control is not carried out)
 When the mode is switched to spindle synchronous control mode after power-on, the two spindles automatically perform a one-rotation signal detection operation. So, the spindles automatically make two to three turns even if such turns are not intended.
 This operation is required because the one-rotation signal must be detected to enable spindle phase synchronous control.
 If the two spindles are mechanically connected to disable each spindle from performing a one-rotation signal detection operation, or if spindle phase synchronous control is not exercised, the operation above can be disabled by setting this bit to 1.
 When this parameter is set to “1”, check that the one-rotation signal has been detected for both spindles (output signal PC1DTA = 1) before applying the spindle phase synchronous control signal (SPPHS).
 If the one-rotation signal is not detected, specify a speed of several ten min^{-1} or higher in spindle synchronous control mode, and wait until the one-rotation signal is detected. (See sequence example (4).)

16i
4032

Acceleration at spindle synchronous control

Unit of data : 1min⁻¹/sec (when parameter No. 4006#2 (SPDUNT) = 1, 10 min⁻¹)
Valid data range : 0 to 32767
Standard setting : 0

This parameter sets an acceleration value for linear acceleration/deceleration when the synchronous speed command for spindle synchronous control is changed.

NOTE

- 1 Set exactly the same data for 1st spindle and 2nd spindle. When different data is set, synchronization between the two spindles is not guaranteed.
- 2 When this parameter is set to 0, motor doesn't accelerate/decelerate, so, be sure to set proper value in this parameter.

16i 30i
4033 4033

Spindle synchronous speed arrival level

Unit of data : 1min⁻¹ (when parameter No. 4006#2 (SPDUNT) = 1, 10 min⁻¹)
Valid data range : 0 to 32767
Standard setting : 10

For the synchronous speed command at spindle synchronous control, if the error of the respective spindle motor speeds are within the setting level, the spindle synchronous control complete signal (FSPSY) becomes "1".

16i 30i
4034 4034

Shift amount at spindle phase synchronous control

Unit of data : 1 pulse unit (360 degrees/4096)
Valid data range : 0 to 4095
Standard setting : 0

Sets the shift amount from the reference position (one-rotation signal) at spindle phase synchronous control.

16i 30i
4035 4035

Spindle phase synchronous compensation data
--

Unit of data : 1 pulse/2msec
Valid data range : 0 to 4095
Standard setting : 10

This parameter reduces speed fluctuations when aligning phase of spindles in spindle phase synchronous control.

When this parameter is "0", since the phase alignment amount is only issued once, the position error quickly becomes large, and there are large speed changes on phase alignment.

It is possible to perform smooth phase alignments through issuing separate commands for phase alignment amounts for the number of 2 msec pulses set in this parameter.

16i 30i
4044 4044

Velocity loop proportional gain on spindle synchronous control (HIGH)	CTH1A=0
Velocity loop proportional gain on spindle synchronous control (LOW)	CTH1A=1

Unit of data :
Valid data range : 0 to 32767
Standard setting : 10

This sets velocity loop proportional gain on spindle synchronous control.

It is selected HIGH when CTH1A=0 of input signal, and It is selected LOW when CTH1A=1 of input signal.

16i 30i
4052 4052
4053 4053

Velocity loop integral gain on spindle synchronous control (HIGH)	CTH1A=0
Velocity loop integral gain on spindle synchronous control (LOW)	CTH1A=1

Unit of data :
Valid data range : 0 to 32767
Standard setting : 10

This sets velocity loop integral gain on spindle synchronous control. It is selected HIGH when CTH1A=0 of input signal, and It is selected LOW when CTH1A=1 of input signal.

16i 30i
 4056 4056
 4057 4057
 4058 4058
 4059 4059

Gear ratio (HIGH)	CTH1A=0, CTH2A=0
Gear ratio (MEDIUM HIGH)	CTH1A=0, CTH2A=1
Gear ratio (MEDIUM LOW)	CTH1A=1, CTH2A=0
Gear ratio (LOW)	CTH1A=1, CTH2A=1

Unit of data : (Motor rotation for one rotation of spindle) / 100
 (When parameter No. 4006 #1 (GRUNIT) is 1, motor rotation / 1000)
 Valid data range : 0 to 32767
 Standard setting : 100

These parameters set the gear ratio of the spindle motor to the spindle. When the motor rotates 2.5 times for each turn of the spindle, for example, set 250 in the parameter.

A parameter is selected by the CTH1A and CTH2A input signals. The gear or clutch status must correspond to the status of the CTH1A and CTH2A input signals.

NOTE

When an improper value is set in these parameters, an unexpected operation can occur. For example, the spindle does not stop but keeps rotating at the time of orientation. So, be sure to set a proper gear ratio.

16i 30i
 4065 4065
 4066 4066
 4067 4067
 4068 4068

Position gain on synchronous control (HIGH)	CTH1A=0, CTH2A=0
Position gain on synchronous control (MEDIUM HIGH)	CTH1A=0, CTH2A=1
Position gain on synchronous control (MEDIUM LOW)	CTH1A=1, CTH2A=0
Position gain on synchronous control (LOW)	CTH1A=1, CTH2A=1

Unit of data : 0.01sec⁻¹
 Valid data range : 0 to 32767
 Standard setting : 1000

This sets position gain in spindle synchronous control. It is selected by CTH1A or CTH2A of input signal.

16i 30i
 4085 4085

Motor voltage setting on spindle synchronous control

Unit of data : 1%
 Valid data range : 0 to 100
 Standard setting : Depend on motor model.

Set a motor voltage for spindle synchronous control.

NOTE

Usually, set the same value as for the setting of a motor voltage (No. 4083) on the velocity control mode.

16i 30i
4171 4171
4172 4172
4173 4173
4174 4174

Denominator of arbitrary gear ratio between motor sensor and spindle (HIGH)	
CTH1A=0	
Numerator of arbitrary gear ratio between motor sensor and spindle (HIGH)	
CTH1A=0	
Denominator of arbitrary gear ratio between motor sensor and spindle (LOW)	
CTH1A=1	
Numerator of arbitrary gear ratio between motor sensor and spindle (LOW)	
CTH1A=1	

Unit of data :
Valid data range : 0 to 32767
Standard setting : 0

These parameters set conversion coefficients (numerator, denominator) for using the detection arbitrary gear ratio function (DMR function) by multiplying a motor sensor (αiM or αiMZ sensor) feedback signal by a gear ratio to produce a spindle position feedback signal.

When the spindle rotates Q times while the motor shaft rotates P times (there is no common divisor other than 1 for P and Q), settings are:

No. 4171 (No. 4173 when CTH1A = 1) = P

No. 4172 (No. 4174 when CTH1A = 1) = Q

When 0 is set in any of these parameters, the setting of 1 is assumed.

NOTE

When using the external one-rotation signal (proximity switch), set the detection arbitrary gear ratio (DMR) between the motor sensor and spindle by using this parameter.

16i 30i
4336 4336

Acceleration switch point on spindle synchronous control

Unit of data : 1min⁻¹ (when parameter No. 4006#2 (SPDUNT) = 1, 10 min⁻¹)
Valid data range : 0 to 32767
Standard setting : 0

The acceleration for spindle synchronous control changes according to the speed set in this parameter as follows:

- Area where the spindle speed does not exceed the speed set in this parameter
The acceleration for spindle synchronous control is constant (as set in parameter No. 4032).
- Area where the spindle speed exceeds the speed set in this parameter
The acceleration for spindle synchronous control decreases in inverse proportion to the speed.

NOTE

- 1 Set the same data for the first spindle and second spindle. If different data is set, synchronization between the two spindles is not guaranteed.
- 2 When this parameter is set to 0, linear acceleration/deceleration (constant acceleration) is performed.

16i 30i
4340 4340

Bell-shaped acceleration/deceleration time constant for spindle synchronous control

Unit of data : 1msec
Valid data range : 0 to 512
Standard setting : 0

This parameter sets a bell-shaped acceleration/deceleration time constant for spindle synchronous control.

This parameter is applied to the move command after “Acceleration at spindle synchronous control” (parameter No. 4032) is applied.

When this parameter is set, the spindle synchronous speed control completion signal (FSPSY), output when the synchronous speed is first reached after the spindle synchronous control mode is entered, is delayed by the set time.

NOTE

Set the same data for the first spindle and second spindle. If different data is set, synchronization between the two spindles is not guaranteed.

16i 30i
4346 4346

Incomplete integration coefficient

Unit of data :
Valid data range : 0 to 32767
Standard setting : 0
Set this parameter to use incomplete integration for velocity loop integration control.

NOTE
Usually, this parameter need not be adjusted.

16i 30i
4515 4515

Excessive speed deviation alarm detection level on spindle synchronous control

Unit of data : 1min⁻¹ (10min⁻¹ when bit 2 (SPDUNT) of parameter No. 4006 is set to 1)
Valid data range : 0 to 32767
Standard setting : 0

This parameter sets a level for detecting the excessive speed deviation alarm under spindle synchronous control.

If the positional deviation (position error) or the difference between the speed command for the spindle end calculated from the position gain and the actual spindle speed exceeds the value set in this parameter in the spindle synchronous control mode, the excessive speed deviation alarm under spindle synchronous control (spindle alarm C8) is detected. When this parameter is set to 0, alarm detection is disabled.

If the speed integration control signal (INTG) is used, the speed deviation increases for a cause such as acceleration/deceleration and cutting load. The spindle speed deviation that causes torque command saturation is indicated below. Set an alarm level by using a calculated value as a guideline. (During spindle synchronous control, ensure that torque command saturation does not take place.)

Spindle speed deviation [min⁻¹] = 1024 × A / P × B / G
where

No.4006#1	No.4009#0	A	B
0	0	1	100
0	1	16	100
1	0	1	1000
1	1	16	1000

- P: Velocity loop proportional gain on spindle synchronous control (No.4044, 4045)
- G: Gear ratio (No.4056 to 4059)

NOTE
 This parameter is valid with
 9D50 series N (14) edition or later
 9D70 series D (04) edition or later
 9D80 series A (01) edition or later.

16i 30i
 4516 4516

Excessive positional deviation alarm detection level on spindle synchronous control

Unit of data : 100 pulses (weight of 4096 pulses/rev)
 Valid data range : 0 to 32767
 Standard setting : 0

This parameter sets a level for detecting the excessive positional deviation alarm under spindle synchronous control.

If the positional deviation (position error) exceeds the value set in this parameter in the spindle synchronous control mode, the excessive positional deviation alarm under spindle synchronous control (spindle alarm C9) is detected. When this parameter is set to 0, alarm detection is disabled.

As an alarm level, set a value greater than the positional deviation (position error) equivalent to the spindle speed specified in the spindle synchronous control mode. The positional deviation equivalent to the spindle speed can be calculated from the following expression:

$$\text{Positional deviation [pulse]} = \text{Spindle speed [min}^{-1}\text{]} / 60 \times 4096 \times 100 / \text{PG}$$

where

PG: Position gain on synchronous control (Nos.4065 to 4068)

NOTE
 This parameter is valid with
 9D50 series N (14) edition or later
 9D70 series D (04) edition or later
 9D80 series A (01) edition or later.

2.5.9 Number of Error Pulses in Spindle Synchronous Control

This Subsection describes the method of calculating the number of error pulses (position error) of each spindle on spindle synchronous control mode, and also describes the items to be checked when a calculated value differs from the actual number of error pulses.

(1) Calculating the number of error pulses on spindle synchronous control

When the spindle is rotating at a constant speed, the number of error pulses is calculated as follows:

$$\begin{aligned} \text{Number of error pulses (pulse)} = & 4096(\text{pulse / rev}) \times \frac{\text{Spindle synchronization speed}(\text{min}^{-1})}{60(\text{sec})} \\ & \times \frac{1}{\text{Position gain}(\text{sec}^{-1})} \end{aligned}$$

Example :

When spindle synchronous speed = 1000 min^{-1} , and position gain = 20 sec^{-1}

$$\text{Number of error pulses} = 4096 \times \frac{1000}{60} \times \frac{1}{20} = \text{Approx.} 3413 (\text{pulse})$$

(2) Checking the number of error pulses on spindle synchronous control

If the number of error pulses on spindle synchronous control checked by diagnosis (diagnosis screen) differs greatly from the calculated value, check the following:

- (a) Spindle speed (This can be checked using the actual rotation speed indication of the CNC.)
- (b) Motor speed indication on the spindle monitor screen or the spindle check board
- (c) Actual gear ratio between the spindle and motor found from the spindle speed and motor speed checked by (a) and (b)
- (d) Spindle-to-motor gear ratio parameters (Nos. 4056 to 4059)
- (e) Position gain parameters (Nos. 4065 to 4068)
- (f) How the gear selection signals (CTH1A, CTH2A) are used for selection (This item can be checked on the spindle motor screen or the PMC signal status screen.)

NOTE

When the 1/100 unit is set as the gear ratio setting resolution (with bit 1 of No. 4006 set to 0), the actual number of error pulses may differ from the calculated value by several pulses due to the fraction of the gear ratio.

In such a case, the difference between the actual number of error pulses and the calculated value can be decreased when the 1/1000 unit is set as the gear ratio setting resolution (with bit 1 of No. 4006 set to 1).

2.5.10 Specifying a Shift Amount for Spindle Phase Synchronous Control

The following describes an example of determining the shift amount for phase synchronization in synchronous control of the spindle phase.

- (1) Apply synchronous control of the spindle phase by setting the following:
 - (a) SFR (or SRV)=1 for the 1st and 2nd spindles : M03 (M04)
 - (b) Spindle synchronous speed command = 0 min^{-1} : S0
 - (c) For the 1st and 2nd spindles, set 0 in the parameter (No.4034) for the shift amount for spindle phase synchronous control.
- (2) After establishing spindle phase synchronization, set SFR/SRV for the 2nd spindle to 0 (to deactivate the motor).
The motor for the 2nd spindle is placed in power-off state at this time, so that the 2nd spindle can be rotated manually.
- (3) Rotate the 2nd spindle manually from the position of (1) to the position for spindle phase synchronization, then check the number of error pulses between the spindles (No. 416) on the diagnosis (diagnosis screen).
This value serves as data to be set in the parameter for the shift amount used for spindle phase synchronous control.
- (4) Set the number of pulses found by (3) as shift amount parameter data (No. 4034) for spindle phase synchronous control of the 2nd spindle.
In general, set 0 in the parameter for the shift amount for spindle phase synchronous control for the 1st spindle.
- (5) After canceling the spindle synchronous control command, perform another spindle phase synchronization operation, according to the following settings, to check that phase synchronization has been established as expected:
 - (a) SFR (or SRV)=1 for the 1st and 2nd spindles : M03 (M04)
 - (b) Spindle synchronous speed command = 0 min^{-1} : S0

2.5.11 Diagnosis (Diagnosis Screen)

Address		Description	Unit
16i	30i		
0414	-	Position error on spindle synchronous control mode (1st spindle)	Pulse
0415	-	Position error on spindle synchronous control mode (2nd spindle)	Pulse
0416	-	Absolute value of a synchronous error between the 1st spindle and 2nd spindle	Pulse
-	0418	Positional error of each spindle in spindle synchronous control mode	Pulse
-	0425	Synchronous error of each spindle in spindle synchronous control mode	Pulse

2.5.12 Alarm

This Subsection provides a list of the alarms related to spindle synchronous control only. For details of alarms, refer to the Connection Manual (Function) of each CNC.

- (a) For Series 16i/18i/21i
 “FANUC Series 16i/18i/21i-MODEL B
 CONNECTION MANUAL (FUNCTION) : B-63523EN-1
 Refer to Section 9.12, “SPINDLE SYNCHRONOUS CONTROL.”
- (b) For Series 30i/31i/32i
 “FANUC Series 30i/31i/32i-MODEL A
 CONNECTION MANUAL (FUNCTION) : B-63943EN-1
 Refer to Section 11.13, “SPINDLE SYNCHRONOUS CONTROL.”
- (c) For Series 0i
 “FANUC Series 0i-MODEL C
 CONNECTION MANUAL (FUNCTION) : B-64113EN-1
 Refer to Section 9.11, “SPINDLE SYNCHRONOUS CONTROL.”

(1) Series 16i

Alarm No.	Description
194	Cs contouring control is specified in serial spindle synchronous control mode.

(2) Series 30i

Alarm No.	Description
PS194	Cs contouring control is specified in serial spindle synchronous control mode.

2.6 SPECIFICATIONS COMMON TO ALL OPERATION MODES

2.6.1 Overview

This section describes the I/O signals (CNC \leftrightarrow PMC), parameters, diagnosis signals, and alarms common to all operation modes.

2.6.2 List of I/O Signals (CNC \leftrightarrow PMC)

This Subsection provides a list of the I/O signals related to spindle speed control only. For details of each signal, refer to the Connection Manual (Function) of each CNC.

- (a) For Series 16i/18i/21i
“FANUC Series 16i/18i/21i-MODEL B
CONNECTION MANUAL (FUNCTION) : B-63523EN-1
Refer to Section 9.3, “SPINDLE SPEED CONTROL.”
- (b) For Series 30i/31i/32i
“FANUC Series 30i/31i/32i-MODEL A
CONNECTION MANUAL (FUNCTION) : B-63943EN-1
Refer to Section 11.3, “SPINDLE SPEED CONTROL.”
- (c) For Series 15i
“FANUC Series 15i-MODEL B
CONNECTION MANUAL (FUNCTION) : B-63783EN-1
Refer to Section 9.3, “SPINDLE SPEED CONTROL.”
- (d) For Series 0i
“FANUC Series 0i-MODEL C
CONNECTION MANUAL (FUNCTION) : B-64113EN-1
Refer to Section 9.3, “SPINDLE SPEED CONTROL.”

For details of the I/O signals common to the CNCs, see Chapter 3, “I/O SIGNALS (CNC \leftrightarrow PMC)”, in Part I.

(1) Input signals (PMC→CNC)

(a) Series 16i

		#7	#6	#5	#4	#3	#2	#1	#0
Common to all axes	G027				*SSTP2 (*1)	*SSTP1 (*1)		SWS2 (*1)	SWS1 (*1)
Common to all axes	G028						GR2	GR1	
Common to all axes	G029		*SSTP	SOR	SAR				
Common to all axes	G030	SOV7	SOV6	SOV5	SOV4	SOV3	SOV2	SOV1	SOV0
1st-	G032	R08I	R07I	R06I	R05I	R04I	R03I	R02I	R01I
2nd-	G034	R08I2	R07I2	R06I2	R05I2	R04I2	R03I2	R02I2	R01I2
1st-	G033	SIND	SSIN	SGN		R12I	R11I	R10I	R09I
2nd-	G035	SIND2	SSIN2	SGN2		R12I2	R11I2	R10I2	R09I2

NOTE

*1 These signals are valid in multi-spindle control.

(b) Series 30i

		#7	#6	#5	#4	#3	#2	#1	#0
Common to all axes	G027				*SSTP2 (*1)	*SSTP1 (*1)		SWS2 (*1)	SWS1 (*1)
Common to all axes	G028						GR2	GR1	
Common to all axes	G029		*SSTP	SOR	SAR				
Common to all axes	G030	SOV7	SOV6	SOV5	SOV4	SOV3	SOV2	SOV1	SOV0
1st-	G032	R08I	R07I	R06I	R05I	R04I	R03I	R02I	R01I
2nd-	G034	R08I2	R07I2	R06I2	R05I2	R04I2	R03I2	R02I2	R01I2
1st-	G033	SIND	SSIN	SGN		R12I	R11I	R10I	R09I
2nd-	G035	SIND2	SSIN2	SGN2		R12I2	R11I2	R10I2	R09I2

NOTE

*1 These signals are valid in multi-spindle control.

(c) Series 15i

		#7	#6	#5	#4	#3	#2	#1	#0
Common to all axes	G005							FIN	
1st-	G024	RI7A	RI6A	RI5A	RI4A	RI3A	RI2A	RI1A	RI0A
2nd-	G232	RI7B	RI6B	RI5B	RI4B	RI3B	RI2B	RI1B	RI0B
1st-	G025	RISGNA			RI12A	RI11A	RI10A	RI9A	RI8A
2nd-	G233	RISGNB			RI12B	RI11B	RI10B	RI9B	RI8B
1st-	G026		GS4A	GS2A	GS1A				
2nd-	G272		GS4B	GS2B	GS1B				

(d) Common to CNCs

	15i	16i	30i	#7	#6	#5	#4	#3	#2	#1	#0
1st-	G227	G070	G070	MRDYA		SFRA	SRVA	CTH1A	CTH2A	TLMHA	TLMLA
2nd-	G235	G074	G074	MRDYB		SFRB	SRVB	CTH1B	CTH2B	TLMHB	TLMLB
1st-	G226	G071	G071							*ESPA	ARSTA
2nd-	G234	G075	G075							*ESPB	ARSTB
1st-	G228	G073	G073				DSCNA		MPOFA		
2nd-	G236	G077	G077				DSCNB		MPOFB		

(2) Output signals (CNC→PMC)

(a) Series 16i

	#7	#6	#5	#4	#3	#2	#1	#0
F001				ENB				
F007						SF		
F022	S07	S06	S05	S04	S03	S02	S01	S00
F023	S15	S14	S13	S12	S11	S10	S09	S08
F024	S23	S22	S21	S20	S19	S18	S17	S16
F025	S31	S30	S29	S28	S27	S26	S25	S24
F034						GR30 (*1)	GR20 (*1)	GR10 (*1)
F036	R08O	R07O	R06O	R05O	R04O	R03O	R02O	R01O
F037					R12O	R11O	R10O	R09O

NOTE
*1 These signals are valid with the M series only.

(b) Series 30i

	#7	#6	#5	#4	#3	#2	#1	#0
F001				ENB				
F007						SF		
F022	S07	S06	S05	S04	S03	S02	S01	S00
F023	S15	S14	S13	S12	S11	S10	S09	S08
F024	S23	S22	S21	S20	S19	S18	S17	S16
F025	S31	S30	S29	S28	S27	S26	S25	S24
F034						GR30 (*1)	GR20 (*1)	GR10 (*1)
F036	R08O	R07O	R06O	R05O	R04O	R03O	R02O	R01O
F037					R12O	R11O	R10O	R09O

NOTE
*1 These signals are valid with the M series only.

(c) Series 15i

		#7	#6	#5	#4	#3	#2	#1	#0
Common to all axes	F008							SF	
Common to all axes	F020	S7	S6	S5	S4	S3	S2	S1	S0
Common to all axes	F021	S15	S14	S13	S12	S11	S10	S09	S08
Common to all axes	F022	S23	S22	S21	S20	S19	S18	S17	S16
Common to all axes	F023	S31	S30	S29	S28	S27	S26	S25	S24
Common to all axes	F045			SRSRDY					
1st-	F010	RO7A	RO6A	RO5A	RO4A	RO3A	RO2A	RO1A	RO0A
2nd-	F320	RO7B	RO6B	RO5B	RO4B	RO3B	RO2B	RO1B	RO0B
1st-	F11	RO15A	RO14A	RO13A	RO12A	RO11A	RO10A	RO9A	RO8A
2nd-	F321	RO15B	RO14B	RO13B	RO12B	RO11B	RO10B	RO9B	RO8B
1st-	F014	MR7A	MR6A	MR5A	MR4A	MR3A	MR2A	MR1A	MR0A
2nd-	F324	MR7B	MR6B	MR5B	MR4B	MR3B	MR2B	MR1B	MR0B
1st-	F015	MR15A	MR14A	MR13A	MR12A	MR11A	MR10A	MR9A	MR8A
2nd-	F325	MR15B	MR14B	MR13B	MR12B	MR11B	MR10B	MR9B	MR8B
1st-	F234	SSPD7A	SSPD6A	SSPD5A	SSPD4A	SSPD3A	SSPD2A	SSPD1A	SSPD0A
2nd-	F250	SSPD7B	SSPD6B	SSPD5B	SSPD4B	SSPD3B	SSPD2B	SSPD1B	SSPD0B
1st-	F235	SSPD15A	SSPD14A	SSPD13A	SSPD12A	SSPD11A	SSPD10A	SSPD9A	SSPD8A
2nd-	F251	SSPD15B	SSPD14B	SSPD13B	SSPD12B	SSPD11B	SSPD10B	SSPD9B	SSPD8B
1st-	F341								SRRDYA
2nd-	F342								SRRDYB

(d) Common to CNCs

	15i	16i	30i	#7	#6	#5	#4	#3	#2	#1	#0
1st-	F229	F045	F045		TLMA	LDT2A	LDT1A	SARA	SDTA	SSTA	ALMA
2nd-	F245	F049	F049		TLMB	LDT2B	LDT1B	SARB	SDTB	SSTB	ALMB
1st-	F231	F047	F047				EXOFA				PC1DTA
2nd-	F247	F051	F051				EXOFB				PC1DTB

2.6.3 Parameters

This Subsection describes those parameters that are common to all operation modes by dividing them into several types.

NOTE

For the detector-related parameters, see Section 1.3, "PARAMETERS RELATED TO DETECTORS", in Part I.

(1) List of parameters specific to spindle motor driving

This item provides a list of the motor parameters specific to spindle motor driving (with no speed range switching). Usually, the settings of these parameters need not be changed. Use the values indicated on a parameter table for each motor model without modification.

Parameter No.			Description
15i	16i	30i	
3006#2	4006#2	4006#2	Sets the unit of speed.
3008#4	4008#4	4008#4	Sets the method of output control.
3011#3	4011#3	4011#3	Sets the number of motor poles.
3011#4	4011#4	4011#4	Sets a maximum output for acceleration/deceleration.
3011#7	4011#7	4011#7	Sets the number of motor poles.
3012#2,#1,#0	4012#2,#1,#0	4012#2,#1,#0	Sets a PWM carrier frequency.
3012#7	4012#7	4012#7	Sets the spindle HRV function.
3013#6 to #2	4013#6 to #2	4013#6 to #2	Sets current dead-band data.
3013#7	4013#7	4013#7	Sets a PWM carrier frequency in low-speed characteristics area of speed range switching.
3020	4020	4020	Maximum motor speed
3039	4039	4039	Slip compensation coefficient
3080	4080	4080	High-speed area regenerative power limit/regenerative power limit
3083	4083	4083	Motor voltage on velocity control
3084	4084	4084	Motor voltage on orientation
3085	4085	4085	Motor voltage on servo mode/spindle synchronous control
3086	4086	4086	Motor voltage on Cs contouring control
3100	4100	4100	Base speed for motor output specification
3101	4101	4101	Torque limitation value for motor output specification
3102	4102	4102	Excitation voltage saturation speed with no load
3103	4103	4103	Base speed limit ratio
3104	4104	4104	Current loop proportional gain
3106	4106	4106	Current loop integral gain
3108	4108	4108	Current loop integral gain zero speed
3109	4109	4109	Filter time constant in voltage command saturation processing
3110	4110	4110	Current conversion constant
3111	4111	4111	Secondary current coefficient
3112	4112	4112	Voltage command saturation decision level/PWM command clamp value
3113	4113	4113	Slip constant
3114	4114	4114	Slip compensation coefficient for a high-speed area/slip compensation coefficient at deceleration time
3115	4115	4115	PWM command clamp value at deceleration time
3116	4116	4116	Motor leakage constraint

Parameter No.			Description
15i	16i	30i	
3117	4117	4117	Voltage compensation coefficient for a high-speed area in steady state/motor voltage coefficient in steady state
3118	4118	4118	Voltage compensation coefficient for a high-speed area at deceleration time/motor voltage coefficient at deceleration time
3119	4119	4119	Time constant for excitation current change at deceleration time/time constant for excitation current change
3120	4120	4120	Dead-band rectangular wave component zero voltage/dead-band data
3127	4127	4127	Load meter indication value at maximum output time
3128	4128	4128	Compensation coefficient between the specification and true base/maximum torque curve compensation coefficient
3129	4129	4129	Secondary current coefficient on rigid tapping
3130	4130	4130	Current loop proportional gain velocity coefficient/current phase delay compensation constant
3133	4133	4133	Motor model code
3134	4134	4134	Motor overheat level (2 words)
3169	4169	4169	Temperature monitoring time constant
3362	4362	4362	Load meter compensation 1
3363	4363	4363	Load meter compensation 2
3364	4364	4364	Load meter compensation 3

(2) List of parameters related to alarm detection

This item provides a list of the parameters related to alarm detection conditions.

Parameter No.			Description
15i	16i	30i	
3009#2	4009#2	4009#2	Motor power turn-off method when spindle alarm 24 (serial data transfer error) is issued
3087	4087	4087	Overspeed level
3088	4088	4088	Velocity error excess detection level when the motor is bound
3089	4089	4089	Velocity error excess detection level when the motor is rotating
3090	4090	4090	Overload detection level
3123	4123	4123	Short-time overload detection period
3464	4464	4464	Velocity command-dependent over speed (spindle alarm 92) detection offset level
3465	4465	4465	Excessive speed deviation level 2
3466	4466	4466	Excessive speed deviation detection time 2
3527	4527	4527	Temperature difference between warning level and alarm level

(3) Other parameters

This item provides a list of the parameters common to all operation modes except the parameters listed in Items (1) and (2) above.

Parameter No.			Description
15i	16i	30i	
—	3706#1,0	-	Gear ratio between the spindle and position coder (cases of $\times 1$, $\times 2$, $\times 4$, $\times 8$)
5602#3	—	—	Whether to indicate an alarm detected by the spindle amplifier (Usually, set 0.)
5807#0	—	—	Enables/disables the spindle alarms (SPxxxx) of all spindles. (Usually, set 0.)
5842	—	3720	Number of position coder pulses
5850	—	—	Spindle number selected at power-on/reset time
3001#0	4001#0	4001#0	Whether to use the MRDY signal (machine ready signal)
3006#1	4006#1	4006#1	Gear ratio increment system
3006#2	4006#2	4006#2	Sets the unit of speed.
3009#0	4009#0	4009#0	Velocity loop gain increment system
3009#4	4009#4	4009#4	Whether to output the load detection signals (LDT1, LDT2) during acceleration/deceleration
3012#7	4012#7	4012#7	Sets the spindle HRV function
3019#2	4019#2	4019#2	Whether to perform torque clamping when the speed is zero
3019#7	4019#7	4019#7	Automatic parameter setting function
3352#1	4352#1	4352#1	Sets the peak hold function for load meter output.
3395#3	4395#3	4395#3	Sets parameter transfer from the CNC to spindle software.
3020	4020	4020	Maximum motor speed
3022	4022	4022	Speed arrival detection signal
3023	4023	4023	Speed detection level
3024	4024	4024	Speed zero detection level
3025	4025	4025	Torque limitation value.
3026	4026	4026	Load detection level 1
3027	4027	4027	Load detection level 2
3056	4056	4056	Gear ratio (High)
3057	4057	4057	Gear ratio (Medium High)
3058	4058	4058	Gear ratio (Medium Low)
3059	4059	4059	Gear ratio (Low)
3095	4095	4095	Speedometer output voltage adjustment value
3096	4096	4096	Load meter output voltage adjustment value
3122	4122	4122	Speed detection filter time constant
3170	4170	4170	Overload current alarm detection level
3345	4345	4345	Detection level of the spindle motor speed command
3346	4346	4346	Incomplete integral coefficient
3351	4351	4351	Current detection offset compensation

2.6.4 Details of Parameters

This Subsection details the serial spindle parameters (in the four thousands for 16*i*, in the four thousands for 30*i*, and in the three thousands for 15*i*) among the parameters common to all operation modes. For details of other parameters, refer to the Connection Manual (Function) of each CNC.

- (a) For Series 16*i*/18*i*/21*i*
 “FANUC Series 16*i*/18*i*/21*i*-MODEL B
 CONNECTION MANUAL (FUNCTION) : B-63523EN-1
 Refer to Section 9.3, “SPINDLE SPEED CONTROL.”
- (b) For Series 30*i*/31*i*/32*i*
 “FANUC Series 30*i*/31*i*/32*i*-MODEL A
 CONNECTION MANUAL (FUNCTION) : B-63943EN-1
 Refer to Section 11.3, “SPINDLE SPEED CONTROL.”
- (c) For Series 15*i*
 “FANUC Series 15*i*-MODEL B
 CONNECTION MANUAL (FUNCTION) : B-63783EN-1
 Refer to Section 9.3, “SPINDLE SPEED CONTROL.”
- (d) For Series 0*i*
 “FANUC Series 0*i*-MODEL C
 CONNECTION MANUAL (FUNCTION) : B-64113EN-1
 Refer to Section 9.3, “SPINDLE SPEED CONTROL.”

(1) List of parameters specific to spindle motor driving

Usually, the settings of the motor parameters specific to spindle motor driving need not be changed. Their details are omitted.

(2) List of parameters related to alarm detection

This item details the parameters related to alarm detection conditions.

15 <i>i</i>	16 <i>i</i>	30 <i>i</i>	#7	#6	#5	#4	#3	#2	#1	#0
3009	4009	4009						ALSP		

- ALSP Motor power turn-off method when spindle alarm 24 (serial data transfer error) is issued
- 0 : Turns off the power after the motor is decelerated and stopped.
 - 1 : Turns off the power to the motor immediately.
- Set this parameter to 1 to turn off the power to the motor immediately when any spindle alarm is issued

15i 16i 30i
3087 4087 4087

Overspeed level

Unit of data :
Valid data range :
Standard setting value :

1%
0 to 115
115
This parameter sets an overspeed level.
When the speed exceeds [maximum motor speed (No. 4020) × setting data (%)], the overspeed alarm (spindle alarm 07) is issued.

WARNING
Make sure this parameter is set to the standard setting value. Do not change the value.

15i 16i 30i
3088 4088 4088

Velocity error excess detection level when the motor is bound

Unit of data :
Valid data range :
Standard setting value :

0.01%
0 to 10000
75
This parameter sets a velocity error excess (spindle alarm 31) detection level when the motor is bound.
If a velocity error equal to or greater than [maximum motor speed (No. 4020) × setting data (%)] occurs when the motor is bound, for example, the motor binding alarm (spindle alarm 31) is issued.

15i 16i 30i
3089 4089 4089

Velocity error excess detection level when the motor is rotating

Unit of data :
Valid data range :
Standard setting value :

0.1%
0 to 1000
200
This parameter sets a velocity error excess detection level when the motor is rotating.
If a velocity error equal to or greater than [maximum motor speed (No. 4020) × setting data (%)] occurs, the velocity error excess alarm (spindle alarm 02) is issued.

15i 16i 30i
3090 4090 4090

Overload detection level

Unit of data :
Valid data range :
Standard setting value :

1%
0 to 100
90
This parameter sets a condition for detecting the short-time overload alarm (spindle alarm 29).
If the state where a load equal to or greater than setting data (%) (maximum motor output [load meter full scale] = 100%) is imposed on the spindle motor lasts for a specified period (set in No. 4123) or more, the short-time overload alarm (spindle alarm 29) is issued.

15i 16i 30i
3123 4123 4123

Short-time overload detection period

Unit of data : 1sec
Valid data range : 0 to 500
Standard setting value : 30

This parameter sets the timing for detecting the short-time overload alarm (spindle alarm 29).

If the state where a load equal to or greater than the specified value (set in parameter No. 4090) is imposed on the spindle motor lasts for at least the period specified in this parameter, the short-time overload alarm (spindle alarm 29) is issued.

15i 16i 30i
3464 4464 4464

Velocity command-dependent over speed detection offset level

Unit of data : 0.1%
Valid data range : -1, 0 to 500
Standard setting value : 0

This parameter sets the offset speed level for detecting the over speed (spindle alarm 92) according to the velocity command.

When the spindle motor reaches the velocity command plus the maximum motor speed (No. 4020) \times setting data% the velocity command-dependent over speed alarm (spindle alarm 92) is issued. This detection level is automatically updated if the velocity command increases or changes to 0 or if control mode (such as speed mode or orientation mode) changes.

If the setting is "0", the offset level is 15%.

If spindle alarm 92 must be invalidated temporarily for adjustment and other purposes, set this parameter to "-1 (alarm 92 is invalid)".

NOTE

This parameter is valid with
9D50 series R (18) edition or later
9D70 series H (08) edition or later
9D80 series B (02) edition or later.

15i 16i 30i
3465 4465 4465

Excessive speed deviation level 2

Unit of data : If the setting is positive, 1 min⁻¹
(When bit 2 (SPDUNT) of parameter No. 4006 is 1, 10 min⁻¹)
If the setting is negative: 0.1%

Valid data range : -1000 to 32767

Standard setting value : 0

This parameter sets the alarm level for excessive speed deviation alarms (spindle alarms 02 and 31) in units of 1 min⁻¹ (motor speed) or as a ratio to the motor velocity command. Depending on the setting of this parameter, the alarm level (min⁻¹) for the excessive speed deviation alarms is as follows:

- If the setting is positive: Setting of parameter No. 4465 (min⁻¹)
- If the setting is negative: |Velocity command × Setting of parameter No. 4465/1000| (min⁻¹)

If the setting is "0", this parameter is excluded from the excessive speed deviation alarm detection conditions.

NOTE
This parameter is valid with
9D50 series S (19) edition or later
9D70 series I (09) edition or later
9D80 series C (03) edition or later.

15i 16i 30i
3466 4466 4466

Excessive speed deviation detection time 2

Unit of data : 0.1sec

Valid data range : 0 to 1000

Standard setting value : 0

This parameter sets the period from the time the motor speed deviation exceeds the alarm level of the excessive speed deviation alarm set in parameter No. 4465 until an excessive speed deviation alarm (spindle alarm 02 or 31) is issued.

If the motor speed deviation goes below the alarm level within the period of time set in this parameter, the period of time is reset.

NOTE
This parameter is valid with
9D50 series S (19) edition or later
9D70 series I (09) edition or later
9D80 series C (03) edition or later.

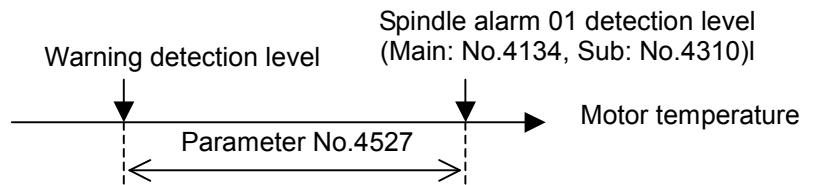
15i 16i 30i
3527 4527 4527

Temperature difference between warning level and alarm level

Unit of data : 1K
Valid data range : 0 to 50
Standard setting value : 0

This parameter sets the difference between motor overheat alarm detection temperature and the warning detection temperature. If the parameter setting is 0, the spindle motor overheat warning function is disabled.

While the motor temperature exceeds the warning detection temperature, the motor overheat warning (warning number 01) is issued.



(3) Other parameters

This item details the parameters common to all operation modes except the parameters listed in Items (1) and (2) above.

15i 16i 30i
3001 4001 4001

#7	#6	#5	#4	#3	#2	#1	#0
							MRDY1

MRDY1 Whether to use the MRDYA signal (machine ready signal)
0 : Does not uses the MRDYA signal (MRDYA = 1 at all times).
1 : Uses the MRDYA signal.

	15i	16i	30i	#7	#6	#5	#4	#3	#2	#1	#0
	3006	4006	4006						SPDUNT	GRUNIT	

GRUNIT Sets a gear ratio setting resolution:
 0 : 1/100 unit
 1 : 1/1000 unit
 Select a gear ratio data setting resolution from the following:
 (a) Resolution based on motor speed increased by a factor of 100 relative to one spindle rotation
 (b) Resolution based on motor speed increased by a factor of 1000 relative to one spindle rotation
 Depending on the setting of this parameter, the increment system of the parameters indicated in the table below changes.

Parameter No.			Description
15i	16i	30i	
3056 to 3059	4056 to 4059	4056 to 4059	Spindle-to-motor gear ratio data

NOTE
 Usually, use the 1/100 unit (setting "0").

SPDUNT Sets the unit of speed.
 0 : Sets the 1 min⁻¹ unit.
 1 : Sets the 10 min⁻¹ unit.
 When a type of motor whose maximum speed exceeds 32767 min⁻¹ is used, set this parameter to 1.
 The setting of this parameter changes the increment systems of the parameters listed in the table below.

Parameter No.			Description	Increment system of parameter	
15i	16i	30i		1 min ⁻¹ unit	10 min ⁻¹ unit
3020	4020	4020	Maximum motor speed	1min ⁻¹	10min ⁻¹
3021	4021	4021	Maximum spindle speed on Cs contouring control	1min ⁻¹	10min ⁻¹
3030	4030	4030	Soft start/stop setting time	1min ⁻¹ /sec	10min ⁻¹ /sec
3032	4032	4032	Acceleration on spindle synchronous control	1min ⁻¹ /sec	10min ⁻¹ /sec
3033	4033	4033	Spindle synchronous speed arrival level	1min ⁻¹	10min ⁻¹
3074	4074	4074	Reference position return speed on Cs contouring control/servo mode	1min ⁻¹	10min ⁻¹
3098	4098	4098	Maximum speed for position feedback signal detection	1min ⁻¹	10min ⁻¹
3100	4100	4100	Base speed for motor output specification	1min ⁻¹	10min ⁻¹
3102	4102	4102	Excitation voltage saturation speed with no load	1min ⁻¹	10min ⁻¹
3108	4108	4108	Current loop integral gain zero speed	1min ⁻¹	10min ⁻¹
Low-speed characteristics parameters (when the speed range switching control function is used)					
3108	4108	4108	Current loop integral gain zero speed	1min ⁻¹	10min ⁻¹
3138	4138	4138	Base speed for motor output specification	1min ⁻¹	10min ⁻¹
3140	4140	4140	Excitation voltage saturation speed with no load	1min ⁻¹	10min ⁻¹
3144	4144	4144	Current loop integral gain zero speed	1min ⁻¹	10min ⁻¹
3160	4160	4160	Speed detection level hysteresis	1min ⁻¹	10min ⁻¹

NOTE
 1 Usually, set the 1 min⁻¹ unit (by setting the parameter to 0).
 2 After changing the setting of this parameter, turn the CNC off, then on again.

15i	16i	30i	#7	#6	#5	#4	#3	#2	#1	#0
3009	4009	4009				LDTOUT				VLPGAN

VLPGAN Velocity control loop gain increment system
 0 : Uses ordinary setting.
 1 : Divides ordinary setting data by 16 for processing.

NOTE
 Usually, set this parameter to 0.

LDTOUT Whether to output the load detection signals (LDT1, LDT2) during acceleration/deceleration
 0 : Does not output the load detection signals during acceleration/deceleration (standard setting value).
 1 : Outputs the load detection signals during acceleration/deceleration (at all times) when the parameter-set level is exceeded.

15i	16i	30i	#7	#6	#5	#4	#3	#2	#1	#0
3012	4012	4012	SPHRV							

SPHRV Sets the spindle HRV control function.
 0 : Disables spindle HRV control.
 1 : Enables spindle HRV control. (standard setting value)
 Set this parameter to 1.

NOTE
 The control method usable with the α i series spindle is spindle HRV control only.
 The conventional control method is not supported.

15i	16i	30i	#7	#6	#5	#4	#3	#2	#1	#0
3019	4019	4019	PRLOAD					SSTTRQ		

SSTTRQ Whether to perform torque clamping when the speed is zero
 0 : Performs clamping.
 1 : Does not perform clamping.

NOTE
 Usually, set this parameter to 1 not to perform clamping.

PRLOAD Automatic parameter setting function
 0 : Does not perform automatic parameter setting (standard setting value).
 1 : Performs automatic parameter setting.
 After setting a desired motor model code in parameter No. 4133 and setting this bit to 1, turn off the power to the CNC, then turn on the power to the CNC again. The parameters (No. 4000 to No. 4175) for the α i series spindle corresponding to the model code are automatically initialized. Upon completion of automatic setting, this bit is automatically set to 0.

NOTE
 With FS15i, the parameter address of this function is different, namely, bit 0 of No. 5607 is used. Moreover, note that the meanings of settings are reversed as follows.
 0: Performs automatic parameter setting.
 1: Does not perform automatic parameter setting.
 In this case, set a model code in parameter No. 3133.

15i	16i	30i	#7	#6	#5	#4	#3	#2	#1	#0
3352	4352	4352							PKHALW	

PKHALW Sets the peak hold function for load meter output.
 0 : Does not use the peak hold function. (standard setting value)
 1 : Uses the peak hold function.

15i	16i	30i	#7	#6	#5	#4	#3	#2	#1	#0
3395	4395	4395					PRIMED			

PRIMED Sets parameter transfer from the CNC to spindle software.
 0 : Regards parameters as valid one second after they are transferred from the CNC. (Standard setting value)
 1 : Regards parameters as valid as soon as they are transferred from the CNC.

NOTE
 This parameter is valid with 9D50 series F (06) edition or later, 9D70 series A (01) edition or later, and 9D80 series A (01) edition or later.

15i	16i	30i								
3020	4020	4020	Maximum motor speed							

Unit of data : 1min^{-1} (Unit of 10min^{-1} when bit 2 (SPDUNT) of parameter No. 4006 = 1)
 Valid data range : 0 to 32767
 Standard setting value : Depends on the motor model.
 This parameter sets a maximum spindle motor speed.

15i	16i	30i								
3022	4022	4022	Speed arrival detection level							

Unit of data : 0.1%
 Valid data range : 0 to 1000
 Standard setting value : 150
 This parameter sets a speed arrival signal (SARA) detection range. When the motor speed reaches within $\pm(\text{setting data}/10)\%$ of a specified speed, the speed arrival signal (SARA) is set to 1.

15i	16i	30i								
3023	4023	4023	Speed detection level							

Unit of data : 0.1%
 Valid data range : 0 to 1000
 Standard setting value : 30
 This parameter sets a speed detection signal (SDTA) detection range. When the motor speed is $(\text{setting data}/10)\%$ of a maximum speed or less, the speed detection signal (SDTA) is set to 1.

15i 16i 30i
3024 4024 4024

Speed zero detection level

Unit of data : 0.01%
Valid data range : 0 to 10000
Standard setting value : 75

This parameter sets a speed zero detection signal (SSTA) detection range.
When the motor speed is (setting data/100)% of a maximum speed or less, the speed zero detection signal (SSTA) is set to 1.

15i 16i 30i
3025 4025 4025

Torque limitation value.

Unit of data : 1%
Valid data range : 0 to 100
Standard setting value : 50

This parameter sets a torque limitation value to be applied when the torque limitation command HIGH (TLMHA) or the torque limitation command LOW (TLMLA) is specified.
The data indicates limitation values when the maximum torque is 100%.

Torque limitation command LOW(TLMLA)	Torque limitation command HIGH(TLMHA)	Description
0	0	No torque limitation is imposed.
0	1	The torque is limited to the value set in this parameter.
1	0	The torque is limited to a half of the value set in this parameter.
1	1	The torque is limited to a half of the value set in this parameter.

15i 16i 30i
3026 4026 4026

Load detection level 1

Unit of data : 1%
Valid data range : 0 to 100
Standard setting value : 83

This parameter sets a load detection signal 1 (LDT1A) detection range.
When the output of the spindle motor is (setting data)% of the maximum output or more, load detection signal 1 (LDT1A) is set to 1.

15i 16i 30i
3027 4027 4027

Load detection level 2

Unit of data : 1%
Valid data range : 0 to 100
Standard setting value : 95

This parameter sets a load detection signal 2 (LDT2A) detection range.
When the output of the spindle motor is (setting data)% of the maximum output or more, load detection signal 2 (LDT2A) is set to 1.

15i 16i 30i
 3056 4056 4056
 3057 4057 4057
 3058 4058 4058
 3059 4059 4059

Gear ratio (HIGH)	CTH1A=0, CTH2A=0
Gear ratio (MEDIUM HIGH)	CTH1A=0, CTH2A=1
Gear ratio (MEDIUM LOW)	CTH1A=1, CTH2A=0
Gear ratio (LOW)	CTH1A=1, CTH2A=1

Unit of data : (Motor rotation for one rotation of spindle) / 100
 (When parameter No. 4006 #1 (GRUNIT) is 1, motor rotation / 1000)
 Valid data range : 0 to 32767
 Standard setting : 100

These data are used to set the gear ratio between spindle and spindle motor.

Example :

When the spindle rotates once, set “250” as the data when the motor rotates 2.5 times.

A parameter is selected with the CTH1A and CTH2A input signals. Set the gear or clutch status to correspond to the clutch/gear signal (CTH1A, CTH2A) in input signals.

NOTE

When an improper value is set in these parameters, an unexpected operation can occur. For example, the spindle can continue rotating without stopping at the time of orientation. So, be sure to set a proper gear ratio.

15i 16i 30i
 3095 4095 4095

Speedometer output voltage adjustment value

Unit of data : 0.1%
 Valid data range : -1000 to +100 (-100% to +10%)
 Standard setting value : 0

Set this parameter when making a fine adjustment of speedometer output voltage.

Positive (+) data increases the output voltage.

NOTE

Usually, this parameter need not be adjusted.

15i 16i 30i
 3096 4096 4096

Load meter output voltage adjustment value

Unit of data : 0.1%
 Valid data range : -1000 to +100 (-100% to +10%)
 Standard setting value : 0

Set this parameter when making a fine adjustment of load meter output voltage.

Positive (+) data increases the output voltage.

NOTE

Usually, this parameter need not be adjusted.

15i 16i 30i
3122 4122 4122

Speed detection filter time constant

Unit of data : 0.1ms
Valid data range : 0 to 10000
Standard setting value : 0

This parameter sets a time constant for a filter to be applied to the velocity feedback signal.

NOTE

Usually, this parameter need not be adjusted.

15i 16i 30i
3170 4170 4170

Overload current alarm detection level

Unit of data :
Valid data range : 0 to 32767
Standard setting value : Depends on the motor model.

NOTE

Usually, this parameter need not be adjusted.

15i 16i 30i
3345 4345 4345

Specified detection level of the spindle motor speed

Unit of data : 1 min⁻¹
Valid data range : 0 to 32767
Standard setting value : 0

This parameter sets the detection level of the spindle motor speed detection function. If the specified spindle motor speed is greater than the set value, the level of the speed specification detection signal output from the spindle amplifier to the CNC becomes 1. If the set value is 0, the level of the speed specification detection signal is always 0.

15i 16i 30i
3346 4346 4346

Incomplete integral coefficient

Unit of data :
Valid data range : 0 to 32767
Standard setting value : 0

Set this parameter to use incomplete integral function for velocity loop integral control.

NOTE

Usually, this parameter need not be adjusted.

15i 16i 30i
3351 4351 4351

Current detection offset compensation

Unit of data :
Valid data range : 0 to ± 32767
Standard setting value : 0

NOTE
Usually, this parameter need not be adjusted.

2.6.5 Diagnosis (Diagnosis Screen)

This Subsection provides a list of the diagnosis (diagnosis screen) indications common to all operation modes only. For details, refer to the Connection Manual (Function) of each CNC.

- (a) For Series 16i/18i/21i
 “FANUC Series 16i/18i/21i-MODEL B
 MAINTENANCE MANUAL : B-63525EN
 Refer to Section 1.8, “DISPLAYING DIAGNOSTIC PAGE.”
- (b) For Series 30i/31i/32i
 “FANUC Series 30i/31i/32i-MODEL A
 MAINTENANCE MANUAL : B-63945EN
 Refer to Section 1.3, “DIAGNOSIS FUNCTION.”
- (c) For Series 15i
 “FANUC Series 15i-MODEL B
 MAINTENANCE MANUAL : B-63785EN
 Refer to Section 1.3, “DIAGNOSIS FUNCTION.”
- (d) For Series 0i
 “FANUC Series 0i-MODEL C
 MAINTENANCE MANUAL : B-64115EN
 Refer to Section 1.8, “DISPLAYING DIAGNOSTIC PAGE.”

(1) Series 16i

Address	Description
400	Information including spindle control information
401	Serial spindle alarm state of the first spindle
402	Serial spindle alarm state of the second spindle
403	First spindle motor temperature [°C] ^(*)
404	Second spindle motor temperature [°C] ^(*)
408	Information related to spindle serial output interface communication errors
409	Information related to spindle serial output interface activation
410	Load meter indication for the first spindle [%]
411	Speedometer indication for the first spindle [min ⁻¹]
412	Load meter indication for the second spindle [%]
413	Speedometer indication for the second spindle [min ⁻¹]
417	Position coder feedback signal for the first spindle [pulse]
419	Position coder feedback signal for the second spindle [pulse]
445	First spindle position data
446	Second spindle position data
710	First spindle error state ^(*)
711	Second spindle error state ^(*)
712	First spindle warning state ^(*)
713	Second spindle warning state ^(*)

NOTE

*1 The indications are provided only when the MODEL B CNC is combined with the αi spindle.

(2) Series 30i

Address	Description
400	Information including spindle control information
403	First spindle motor temperature [°C]
408	Information related to spindle serial output interface communication errors
410	Load meter indication for the spindle [%]
411	Speedometer indication for the spindle [min-1]
417	Position coder feedback signal for the spindle [pulse]
445	Spindle position data
710	Spindle error state
712	Spindle warning state

(3) Series 15i

Address	Description
1500	Information about spindle serial output interface communication errors
1504	Spindle motor torque data
1505	Spindle motor speed data
1561	Spindle state error number (*1)
1562	Spindle warning number (*1)
1563	Spindle motor temperature information (*1)

NOTE

*1 The indications are provided only when the MODEL B CNC is combined with the α i spindle.

3

I/O SIGNALS (CNC↔PMC)

This chapter explains the functions of the signals directly input from the PMC to spindle amplifier (SP) via the CNC and the address for signals of the first spindle or second spindle. For other spindle-related I/O signals, refer to the Connection Manual (Function) of the relevant CNC.

- (a) For Series *16i/18i/21i*
“FANUC Series *16i/18i/21i*-MODEL B
CONNECTION MANUAL (FUNCTION) : B-63523EN-1
Refer to Chapter 9, “SPINDLE SPEED FUNCTION.”
- (b) For Series *30i/31i/32i*
“FANUC Series *30i/31i/32i*-MODEL A
CONNECTION MANUAL (FUNCTION) : B-63943EN-1
Refer to Chapter 11, “SPINDLE SPEED FUNCTION.”
- (c) For Series *15i*
“FANUC Series *15i*-MODEL B
CONNECTION MANUAL (FUNCTION) : B-63783EN-1
Refer to Section 9.7, “SPINDLE SPEED FUNCTION.”
- (d) For Series *0i*
“FANUC Series *0i*-MODEL C
CONNECTION MANUAL (FUNCTION) : B-64113EN-1
Refer to Chapter 9, “SPINDLE SPEED FUNCTION.”

WARNING

- 1 Operation of each signal described in this chapter is not guaranteed if an alarm is issued or if a hardware failure or abnormal operation occurs.
- 2 A signal described in this chapter can be used as a safety function only when it is described that “the signal can be used as a safety function”.

CAUTION

Each signal described in this chapter is disabled and its operation is not guaranteed after power-on until the parameters have been transferred from the CNC to the spindle amplifier. After checking spindle operation ready signal SRSRDY and other signals (refer to the Connection Manual for the relevant CNC) to see the ready status, use the signals described in this chapter.

3.1 INPUT SIGNALS (PMC→CNC→SP)

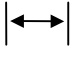
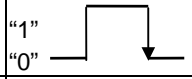
This section describes the functions of the signals directly input from the PMC to spindle amplifier (SP) via the CNC and also describes the signal addresses of the first spindle and second spindle. For other spindle-related input signals, refer to the Connection Manual (Function) of the relevant CNC.

- (a) For Series 16i/18i/21i
“FANUC Series 16i/18i/21i-MODEL B
CONNECTION MANUAL (FUNCTION) : B-63523EN-1
Refer to Chapter 9, “SPINDLE SPEED FUNCTION.”
- (b) For Series 30i/31i/32i
“FANUC Series 30i/31i/32i-MODEL A
CONNECTION MANUAL (FUNCTION) : B-63943EN-1
Refer to Chapter 11, “SPINDLE SPEED FUNCTION.”
- (c) For Series 15i
“FANUC Series 15i-MODEL B
CONNECTION MANUAL (FUNCTION) : B-63783EN-1
Refer to Section 9.7, “SPINDLE SPEED FUNCTION.”
- (d) For Series 0i
“FANUC Series 0i-MODEL C
CONNECTION MANUAL (FUNCTION) : B-64113EN-1
Refer to Chapter 9, “SPINDLE SPEED FUNCTION.”

3.1.1 List of Input Signals

	15i	16i	30i	#7	#6	#5	#4	#3	#2	#1	#0
1st-	G227	G070	G070	MRDYA	ORCMA	SFRA	SRVA	CTH1A	CTH2A	TLMHA	TLMLA
2nd-	G235	G074	G074	MRDYB	ORCMB	SFRB	SRVB	CTH1B	CTH2B	TLMHB	TLMLB
1st-	G226	G071	G071	RCHA	RSLA	INTGA	SOCNA	MCFNA	SPSLA	*ESPA	ARSTA
2nd-	G234	G075	G075	RCHB	RSLB	INTGB	SOCNB	MCFNB	SPSLB	*ESPB	ARSTB
1st-	G229	G072	G072	RCHHGA	MFNHGA	INCMDB	OVRA	DEFMDA	NRROA	ROTAA	INDXA
2nd-	G237	G076	G076	RCHHGB	MFNHGB	INCMDB	OVRB	DEFMDB	NRROB	ROTAB	INDXB
1st-	G228	G073	G073				DSCNA	SORSLA	MPOFA	SLVA	
2nd-	G236	G077	G077				DSCNB	SORSLB	MPOFB	SLVB	

3.1.2 Explanation of Input Signals

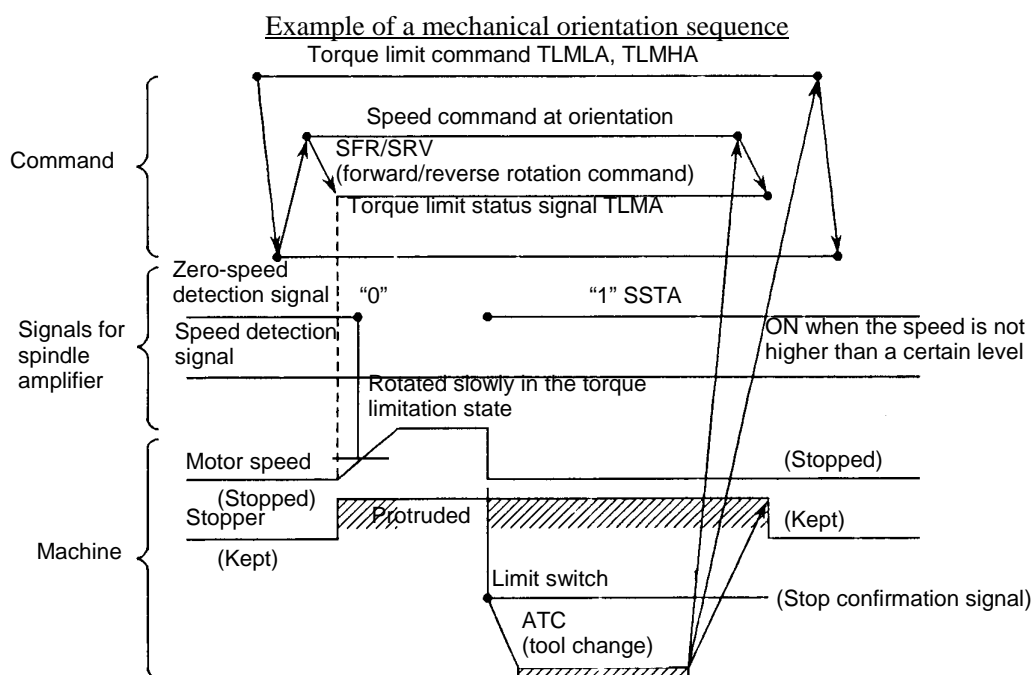
Symbol	Name	Description
TLMLA, B	Torque limit command LOW	<p>These signals limit the output torque of the spindle motor. The limit value is set in spindle parameter No. 4025.</p> <p>TLML TLMH</p> <p>0 0 : Torque not limited</p> <p>0 1 : Limited to the parameter-set value</p> <p>1 0 : Limited to about half of the parameter-set value</p> <p>1 1 : Limited to about half of the parameter-set value</p>
TLMHA, B	Torque limit command HIGH	
CTH1A, B CHT2A, B	Clutch/gear signal	<p>These signals set the conditions listed below according to the clutch or gear status. The signals can also be used for selecting spindle control parameters. The names such as HIGH GEAR are given for convenience, and the correspondence to the actual gears is free.</p> <p>CTH1 CTH2</p> <p>0 0 : HIGH GEAR</p> <p>0 1 : MEDIUM HIGH GEAR</p> <p>1 0 : MEDIUM LOW GEAR</p> <p>1 1 : LOW GEAR</p>
SRVA, B	Reverse rotation command	<p>These signals set the rotation direction of the spindle motor when viewed from the shaft side.</p> <p>SRV SFR</p> <p>0 0 : Stopped</p> <p>0 1 : Forward rotation (CCW: Counterclockwise direction)</p> <p>1 0 : Reverse rotation (CW: Clockwise direction)</p> <p>1 1 : Stopped</p>
SFRA, B	Forward rotation command	
ORCMA, B	Spindle orientation command	<p>This signal is used to perform spindle orientation control.</p> <p>0: Turns off the spindle orientation command.</p> <p>1: Performs spindle orientation control.</p>
MRDYA, B	Machine ready signal	<p>0: Motor excitation is off.</p> <p>1: Ready for operation</p>
ARSTA, B	Spindle alarm reset signal	<p>This signal is used to reset spindle alarms.</p> <p> 32 msec min.</p> <p> An alarm is reset when the signal status changes from "1" to "0".</p>
*ESPA, B	Emergency stop signal	<p>0: Emergency stop</p> <p>1: Normal operation</p>
SPSLA, B	Spindle switching request signal	<p>This signal is used to select a spindle motor in spindle switching control.</p> <p>0: Selects the main spindle motor.</p> <p>1: Selects the sub-spindle motor.</p>
MCFNA, B	Magnetic contactor status signal for the sub-spindle motor	<p>This signal is used in spindle switching control.</p> <p>0: The MCC on the sub-spindle motor side is OFF (the main spindle motor is selected).</p> <p>1: The MCC on the sub-spindle motor side is ON (the sub-spindle motor is selected).</p>
SOCNA, B	Soft start/stop signal	<p>0: Disables the soft start/stop function.</p> <p>1: Enables the soft start/stop function.</p>
INTGA, B	Velocity integral control signal	<p>0: Enables velocity integral control.</p> <p>1: Disables velocity integral control.</p>

Symbol	Name	Description
RSLA, B	Speed range switching request signal	This signal is used to select output characteristics in speed range switching control. 0: Selects the high-speed range characteristics. 1: Selects the low-speed range characteristics.
RCHA, B	Magnetic contactor status signal for the low-speed characteristics	This signal is used in speed range switching control. 0: The MCC on the low-speed characteristics side is OFF (the high-speed characteristics are selected). 1: The MCC on the low-speed characteristics side is ON (the low-speed characteristics are selected).
INDXA, B	Orientation stop position change command	 This signal is used in orientation with the stop position set external setting type. When the status of this signal changes from "1" to "0", new position stop data is input, and a movement to the new position then a stop take place.
ROTAA, B	Rotation direction command at orientation stop position change	This signal is used in orientation with the stop position set external setting type. 0: CCW (counterclockwise) 1: CW (clockwise)
NRROA, B	Shortcut command at orientation stop position change	This signal is used in orientation with the stop position set external setting type. 0: The rotation direction depends on the ROTA signal setting. 1: Shortcut control (within $\pm 180^\circ$)
OVRA, B	Analog override command	0: Disables analog override. 1: Enables analog override.
INCMDA, B	Incremental command	1: Incremental command spindle orientation 0: Ordinary orientation
MFNHGA, B	Magnetic contactor status signal for the main spindle motor	0: The MCC on the main spindle motor side is OFF. 1: The MCC on the main spindle motor side is ON.
RCHHGA, B	Magnetic contactor status signal for the high-speed characteristics	0: The MCC on the high-speed characteristics side is OFF. 1: The MCC on the high-speed characteristics side is ON.
MPOFA, B	Motor power turn-off signal	1: Turns off the motor power.
SORSLA, B	Synchronous orientation request command	This signal requests a synchronous orientation operation. 0: Cancels synchronous orientation. 1: Requests synchronous orientation.
DSCNA, B	Disconnection detection disable signal	This signal is used to detach the feedback cable between the amplifier and motor. 0: Enables disconnection and overheat detection. 1: Disables disconnection and overheat detection.
DEFMDA, B	Differential speed mode command signal	0: Disables differential speed mode. 1: Enables differential speed mode.
SLVA, B	Tandem operation command	0: Disables tandem operation. 1: Enables tandem operation.

3.1.3 Details of Input Signals

(a) Torque limit command signals (TLMLA, TLMHA)

- (1) A torque limit is used to rotate the spindle motor by decreasing the output torque of the spindle motor temporarily at the time of mechanical spindle orientation and so forth.
- (2) For each machine, the machine tool builder must set the output torque and speed applied at the time of orientation so that hitting against the machine stopper produces less impact.
- (3) The output torque at orientation can be adjusted with parameter No. 4025.
- (4) If the torque limit command signals are set to 1, the torque limit state is entered. (Even when 1 is specified during motor rotation, it becomes valid immediately.) As soon as the torque limit state is entered, the torque limit status signal (TLMA) is output externally.
- (5) When mechanical orientation is to be performed at the time of ATC of a machining center, the power magnetic sequence design must take the following into consideration not to damage the machine stopper:
 - <1> The output torque at orientation time must not be excessively large.
 - <2> The speed at orientation time must not be excessively high. Interlock must be provided so that, for example, when the speed detection signal detects an excessively high speed, the protrusion of the stopper is suppressed.
 - <3> When the torque limit is canceled, the stopper must have been certainly kept in place.



* If the above conditions are hard to satisfy, employ purely electrical spindle orientation (a CNC software option is required), which does not use the stopper.

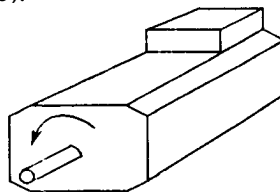
(b) Clutch/gear signals (CTH1A, CTH2A)

- (1) When there are two or more gear change stages between the spindle and spindle motor, these signals are used to select spindle control parameters (position gain, gear ratio, and velocity loop gain) for each gear. These signals are also used for a motor having an speed range switching function to select control parameters for each winding.
- (2) Make settings as listed in the table below according to the state of the clutch or gear. The names such as HIGH GEAR are given for convenience, and the correspondence to the actual gears is free.

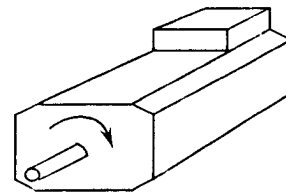
CTH1A	CTH2A	
0	0	HIGH GEAR
0	1	MEDIUM HIGH GEAR
1	0	MEDIUM LOW GEAR
1	1	LOW GEAR

(c) Forward rotation command signal (SFRA) and reverse rotation command signal (SRVA)

- (1) When the following four conditions are satisfied, the spindle motor starts forward or reverse rotation according to the speed command (a positive value):
 - <1> Emergency stop signal *ESPA is set to 1.
 - <2> Machine ready signal MRDYA is set to 1.
 - <3> Forward rotation command signal SFRA or reverse rotation command signal SRVA is 1.
 - <4> The contact signal between ESP and 24 V (CX4 of the common power supply (PS)) is ON (closed).
- (2) While SFRA is 1, the spindle motor rotates counterclockwise as viewed from the shaft side at a specified speed (a positive value). While SRVA is 1, the spindle motor rotates clockwise as viewed from the shaft side according to the speed command (a positive value).



When SFR = 1



When SRV = 1

- (3) When SFRA is set to 0 or when SRVA is set to 0, the spindle motor is stopped by regenerative braking. After the spindle motor is stopped, the power element excitation signal is turned off to interrupt power supply to the spindle motor.

⚠ CAUTION

This signal is disabled while the spindle motor is rotating in the free-running (coast) mode. The spindle motor is not stopped with control even if this signal is set to 0 and it does not rotate at the specified speed even if the signal is set to 1.

NOTE
 If the forward rotation command signal (SFRA) and reverse rotation command signal (SRVA) are specified at the same time, the spindle status error (error 14) occurs, and the spindle motor is stopped.

(d) Spindle orientation command (ORCMA)

For details of this signal, see Section 2.2, “POSITION CODER METHOD SPINDLE ORIENTATION”, in Part I.

(e) Machine ready signal (MRDYA)

(1) This signal is used as follows according to the parameter settings:

Mode	Parameter setting	Description
	FS16i : 4001 #0 FS30i : 4001 #0 FS15i : 3001 #0	
A	0	The machine ready signal is not used. In this case, the spindle motor is made ready only by inputting the emergency stop signal.
B	1	The machine ready signal is used so that the spindle motor can be made ready by two signals. When MRDYA = 0, the excitation signal for the power element of the inverter is turned off to interrupt power.

(2) Mode A

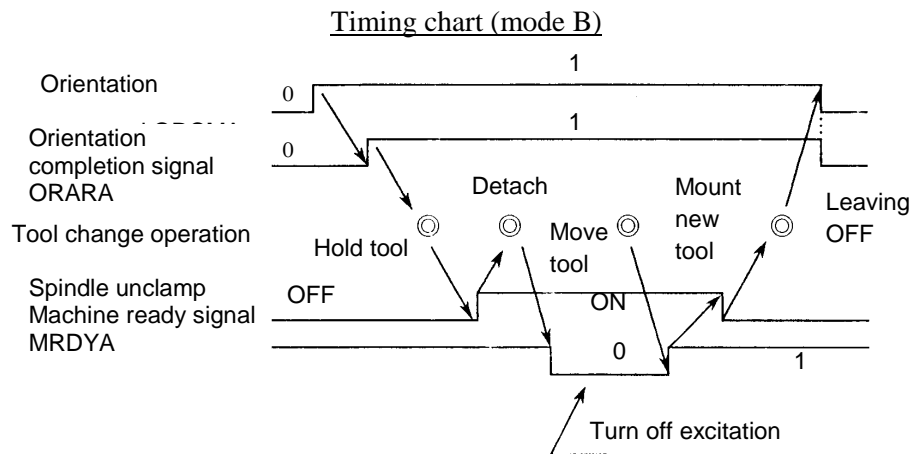
Mode A is used to minimize input signals.

(3) Mode B

<1> In a machine in which the spindle motor is clamped by the tool unclamp signal during an orientation operation for automatic tool change (ATC), a slight displacement from the orientation stop position may increase the load meter indication, allowing a large motor current to flow.

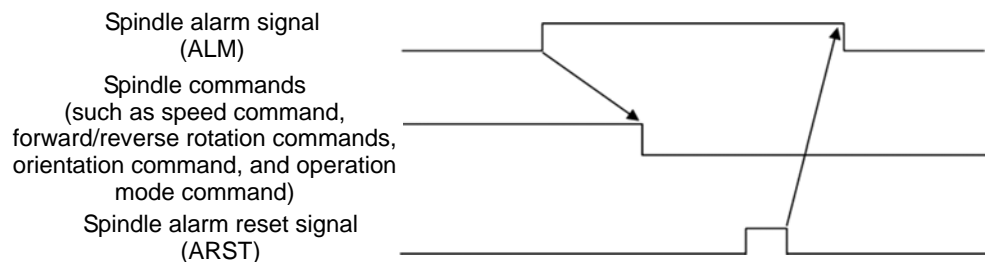
To prevent this, set MRDYA to 0 to release the orientation state while the tool unclamp state is present. At the end of the tool unclamp state, setting MRDYA to 1 can restore the orientation state.

<2> In the application explained <1> above, if the orientation command signal ORCMA is kept 1, setting MRDYA to 0/1 causes a movement just by the amount of the displacement from the stop position, so another one-rotation operation and orientation operation need not be performed.



(f) Spindle alarm reset signal (ARSTA)

- (1) After the cause of an alarm such as a motor overheat, excessively large velocity error, over speed, and overload is removed, inputting this alarm reset signal releases the alarm, making the spindle usable.
- (2) When no alarm is issued, inputting this signal causes nothing.
- (3) Alarms detected in the common power supply (PS) and part of spindle alarms (such as overcurrent) cannot be released by this signal. (The power must be turned off once.)
- (4) If a spindle alarm is issued, cancel the spindle commands (such as the speed command, forward/reverse rotation commands, orientation command, and operation mode command), then reset the alarm.



NOTE

With the following series and editions, the alarm reset signal is valid only in the velocity control mode (in other modes, inputting the alarm reset signal does not release the alarm):

- Series 9D50 P (16) and subsequent editions
- Series 9D70 G (07) and subsequent editions
- Series 9D80 A (01) and subsequent editions

(g) Emergency stop signal (*ESPA)

- (1) When *ESPA = 1, the spindle motor and spindle amplifier become ready for operation. When *ESPA = 0, the spindle amplifier outputs to the common power supply (PS) a signal for turning off the MCC, and the spindle motor does not operate.

- (2) As soon as *ESPA is set to 0 during motor rotation, the spindle motor decelerates and stops. When the zero speed detection signal SSTA is set to 1, the motor is deactivated, and a signal for turning off the MCC is output.
- (3) When *ESPA is set to 1 again, the spindle motor becomes ready for rotation, so the spindle motor will start rotating as soon as a rotation command is issued. Therefore, when inputting the emergency stop signal, reset the command signals (speed command, forward and reverse rotation commands) to the spindle amplifier at the same time.
- (4) This signal (*ESPA) and the emergency stop signal (connector CX4) of the common power supply (PS) function as signals having the same meaning for the spindle amplifier (SP).

 **WARNING**

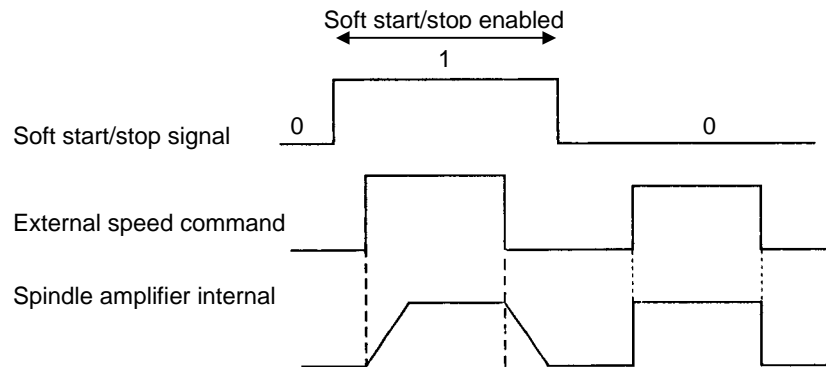
- 1 The spindle motor runs freely (coasts) due to a power failure, alarm, or command from the ladder program (MPOFA signal). While the spindle motor runs in the free-running mode, it does not stop even when the emergency stop signal is input.
- 2 When the power is off, the spindle motor may also run freely.
- 3 The emergency stop signal receive circuit in the amplifier is an electronic circuit. For this reason, the motor may not stop due to a failure in the electronic circuit even when the emergency stop signal is input to the amplifier.

(h) Spindle switching request signal (SPSLA), magnetic contactor status signal for the sub-spindle motor (MCFNA), and magnetic contactor status signal for the main spindle motor (MFNHGA)

For details of these signals, see Section 5.2, “SPINDLE SWITCHING CONTROL”, in Part I.

(i) Soft start/stop signal (SOCNA)

- (1) The soft start/stop function makes acceleration/deceleration of the spindle motor gradual. When the soft start/stop signal is set to 1, the soft start/stop function is enabled, which allows the speed command change rate at acceleration/deceleration to be set as shown below.



- (2) The soft start/stop function is valid in the velocity control mode. This signal is also used for enabling the acceleration/deceleration time constant at return to the reference position in Cs contouring control or rigid tapping (parameter No. 4406), however.
- (3) When emergency stop signal *ESPA or machine ready signal MRDYA is set to 0, the soft start/stop function is disabled automatically.

NOTE

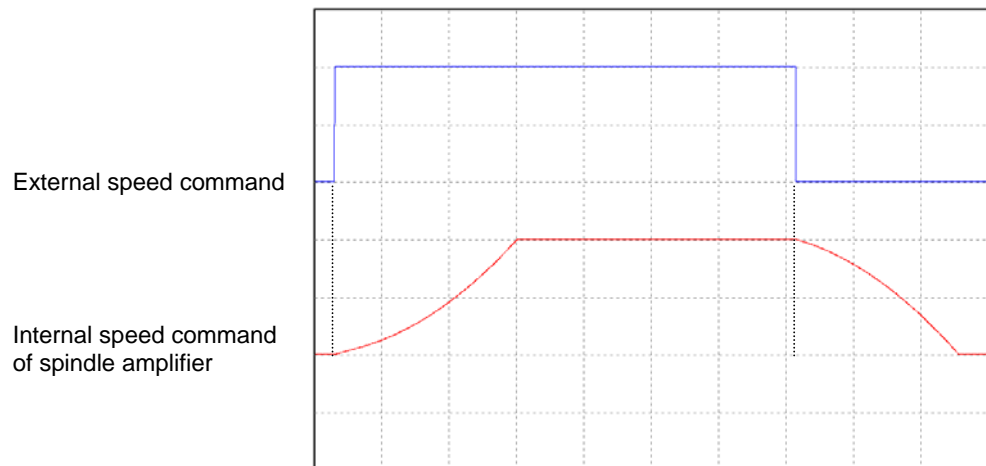
With the following series and editions, setting the relevant parameter (bit 2 of parameter No. 4399 to 1) enables the soft start/stop function even when the spindle motor is being decelerated according to *ESPA = 0 or MRDYA = 0:

- Series 9D50 O (15) and subsequent editions
- Series 9D70 G (06) and subsequent editions
- Series 9D80 A (01) and subsequent editions

- (4) The speed command change rate is set in parameter No. 4030. When 0 is set in the parameter, the soft start/stop function is disabled.

- (5) When the rate of the change in acceleration command (parameter No. 4508) is set, a quadratic function type speed command can be given in the spindle amplifier (quadratic function type soft start/stop function).

Use this function when you want to reduce the shock due to a change in speed specified at the start of acceleration/deceleration. In this case, the internal speed command of the spindle amplifier changes as follows:



NOTE

With the following series and editions, the quadratic function type soft start/stop function can be used:

Series 9D50 G (07) and subsequent editions

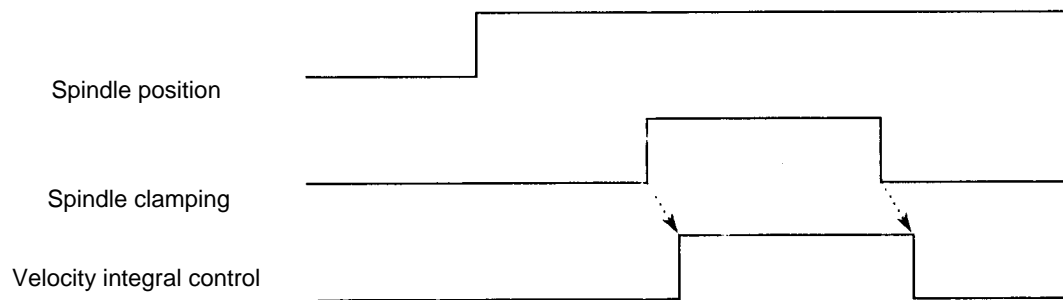
Series 9D70 A (01) and subsequent editions

Series 9D80 A (01) and subsequent editions

(j) Velocity integral control signal (INTGA)

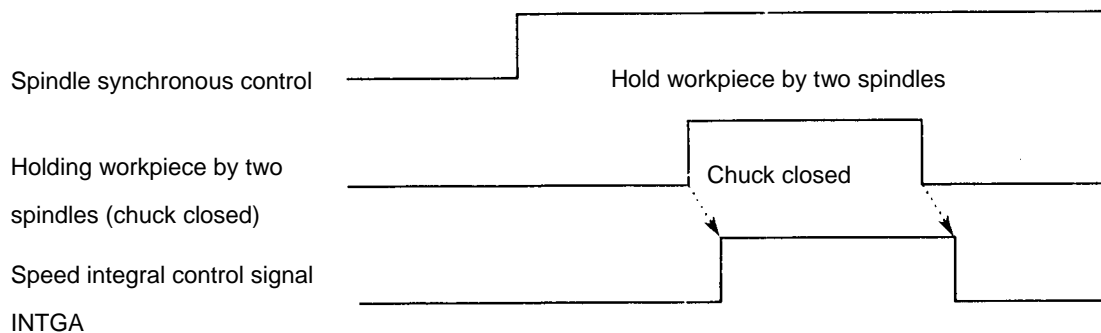
- (1) When spindle position control (spindle orientation control, spindle positioning control, Cs contour control, and so on) is performed, the spindle is sometimes clamped by the brake or the like. If the spindle is kept clamped with a minute position error, velocity integral control may allow an excessively large current to flow into the motor, attempting to eliminate the position error to zero.

In such a case, use of this signal disables velocity integral control to prevent an excessively large current from flowing into the motor even when a minute position error occurs.



- (2) Also when two spindles are used to hold a workpiece in spindle synchronous control, a minute synchronous error generated at the time of the hold operation may cause velocity integral control to attempt to eliminate the error to zero, and as a result, an excessively large current may flow into the motor.

In this case, this signal can be used to disable velocity integral control and prevent an excessively large current from flowing into the motor even when a minute synchronous error occurs.



(k) Speed range switching request signal (RSLA), magnetic contactor status signal for low-speed characteristics (RCHA), and magnetic contactor status signal for high-speed characteristics (RCHHGA)

For details of these signals, see Section 5.1, “SPEED RANGE SWITCHING CONTROL”, in Part I.

(l) Orientation stop position change command (INDXA), rotation direction command at orientation stop position change (ROTAA), shortcut command at orientation stop position change (NRROA), and incremental command (INCMDA)

For details of these signals, see Section 2.2, “POSITION CODER METHOD SPINDLE ORIENTATION”, in Part I and Section 5.3, “INCREMENTAL COMMAND TYPE SPINDLE ORIENTATION”, in Part I.

(m) Spindle analog override command (OVRA)

- (1) In the velocity control mode, the speed command can be overridden with the voltage externally applied to the spindle amplifier directly in an analog form.

- (2) The analog override function is valid when this signal is 1. The function is valid only in the velocity control mode (including the soft start/stop function).
- (3) The upper limit (100% or 120%) of analog override is parameter-set as follows:

Parameter No.			Description
FS15 <i>i</i>	FS16 <i>i</i>	FS30 <i>i</i>	
3006 #5	4006 #5	4006 #5	Sets the input range of spindle analog override. 0 : 0 to 100% 1 : 0 to 120%

The upper limit of analog override input voltages is +4.5 V. When the speed command value obtained by multiplication by the override value exceeds the parameter-set maximum speed, the speed is clamped at the maximum speed.

- (4) The override type is parameter-set as follows:

Parameter No.			Description
FS15 <i>i</i>	FS16 <i>i</i>	FS30 <i>i</i>	
3009 #6	4009 #6	4009 #6	Sets the override type. 0: Linear function type override 1: Quadratic function type override

<1> Linear function type override

The override value actually used corresponds to the input override value on a one-to-one basis.

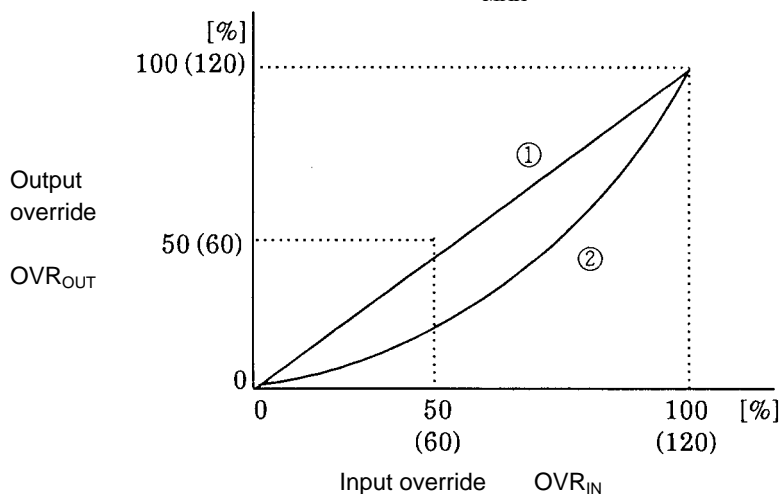
$$OVR_{OUT} = OVR_{IN}$$

<2> Quadratic function type override

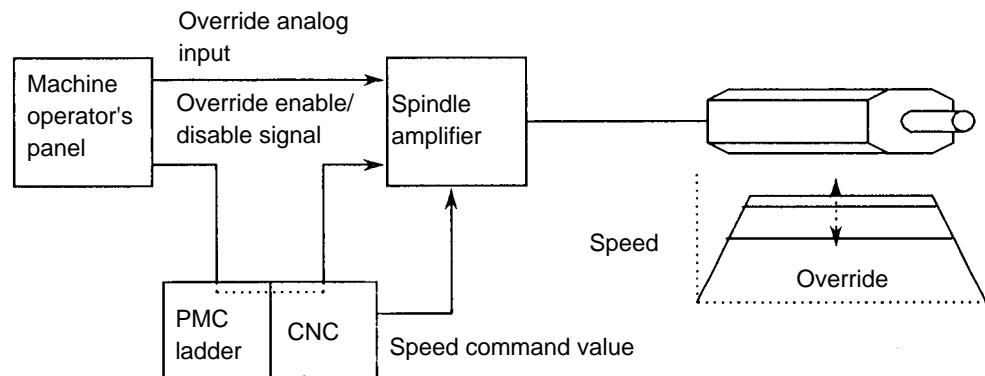
The override value actually used corresponds to the input override value in the quadratic function manner.

When compared with the linear function type, the quadratic function type has rougher speed resolution for the input override in the high-speed region and has a finer speed resolution in the low-speed region.

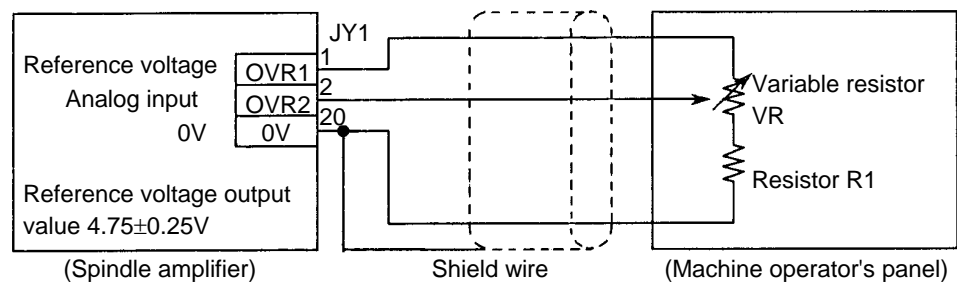
$$OVR_{OUT} = OVR_{MAX} \times \left(\frac{OVR_{IN}}{OVR_{MAX}} \right)^2$$



- (5) The following shows the system configuration when attention is focused on the analog override function:



- (6) The analog override input is connected as shown in the figure below. The input voltage equivalent to the upper override limit (100% or 120%) to OVR2 is 4.5 V. Override values are set in steps of 1%.



Use resistors so that the total resistance of VR and R1 ranges from 2 K Ω to 10 K Ω .

- (7) Because the hysteresis characteristic is provided to prevent override fluctuation, an override of 0% is not set even when the input voltage is 0 V.
- (8) When a signal for enabling or disabling the status of the analog override function is issued, or the setting of the upper override limit parameter is changed, the motor speed may change largely. So, before changing the status or setting, stop the motor.

(n) Motor power turn-off signal (MPOFA)

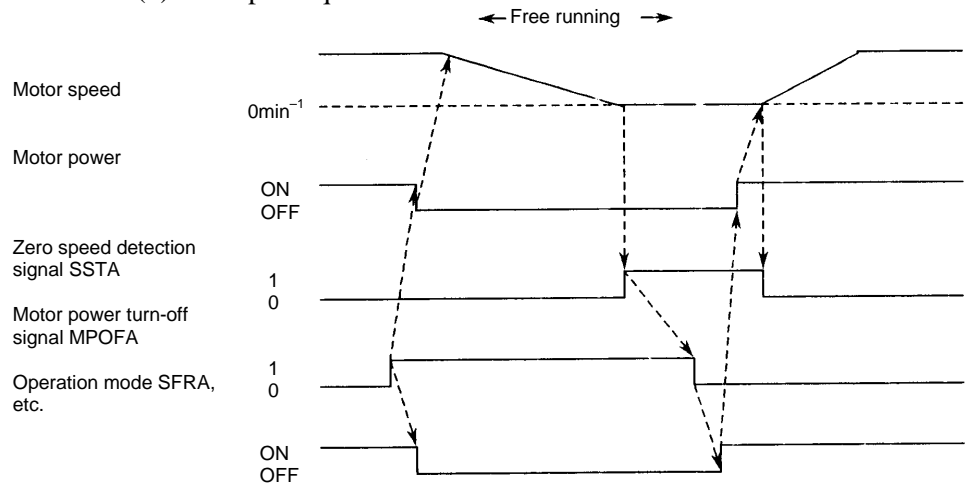
- (1) When an abnormality occurs during spindle synchronous control or during machining with a machine such as a gear machining tool, this signal is used to immediately turn off the power to the spindle motor and allow the motor to run freely.
- (2) This signal turns off the motor power only.
- (3) The motor power can be supplied again after the motor is stopped (zero speed signal SSTA = 1). Even when this signal is canceled, the power cannot be supplied while the motor is rotating (SSTA = 0).
- (4) After turning off the motor power, cancel all operation modes to ensure safety. After the motor is stopped (SSTA = 1), specify operation modes again.

When the power is turned off during position control, the position control operation is performed continuously, so an alarm such as an alarm due to an excessively large position error may be issued.

Operation mode examples:

- Forward rotation command (SFRA)
- Reverse rotation command (SRVA)
- Spindle orientation (ORCMA)
- Rigid tapping (RGTP, RGTAP)
- Spindle synchronous control (SPSYC, SPPHS)
- Spindle positioning
- Cs contour control (CON, SCNTR1, SCNTR2, and so on)
- Speed difference mode (DEFMDA)

(5) Sample sequence



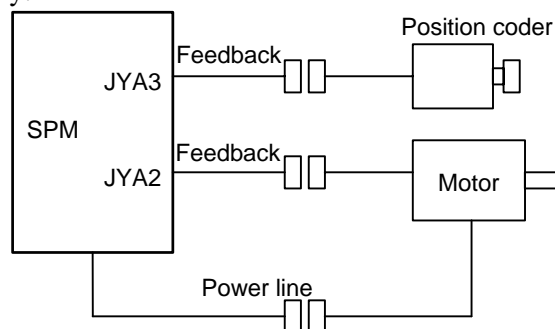
- (6) If bit 2 of parameter No. 4009 is set to 1, the motor power can be turned off immediately when spindle alarm 24 (serial transfer data error) occurs. Normally, when spindle alarm 24 occurs, the spindle motor is decelerated then stopped.

(o) Synchronous orientation request command (SORSLA)

For details of this signal, see Section 5.5, “SPINDLE ORIENTATION DURING SPINDLE SYNCHRONIZATION CONTROL”, in Part I.

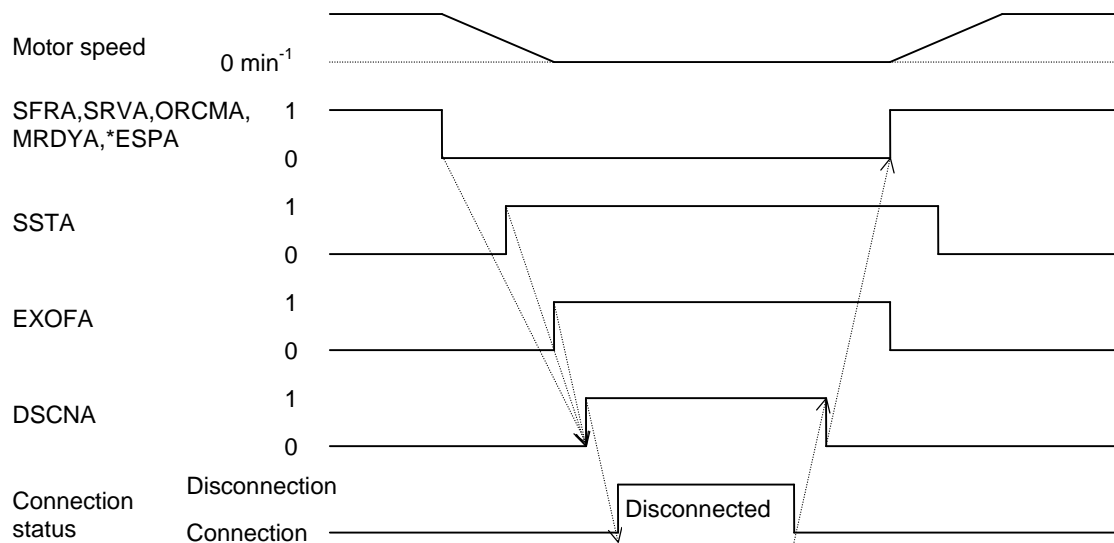
(p) Disconnection detection disable signal (DSCNA)

- (1) This signal is used when the connection between the spindle amplifier and spindle motor needs to be disconnected temporarily.



- (2) When this signal is used to detach the feedback signal, motor overheat and the issuance of a feedback signal disconnection alarm can be prevented.

- (3) A motor excitation OFF state confirmation signal (EXOFA) is provided to confirm that the motor is not excited before the connected power line is detached.
- (4) Before setting this signal to 1 and disconnecting the feedback signals and power line, set all the SFRA, SRVA, ORCMA, MRDYA, and *ESPA commands to 0, and confirm that the motor excitation OFF state confirmation signal (EXOFA) has been set to 1. After completing re-connection, reset this signal to 0.
- (5) Sample sequence



⚠ CAUTION

When this signal is set to 1, a motor overheat or feedback signal error is not detected, and a status signal related to a feedback signal may not be output correctly. When the motor is driven, be sure to set this signal to 0.

NOTE

- *1 When the dual check safety function is enabled, this signal is disabled.
- *2 When the α iCZ sensor (serial) is used, this signal is disabled.

(q) Differential speed mode command signal (DEFMDA)

For details of this signal, see Section 5.9, “DIFFERENTIAL SPINDLE SPEED CONTROL” in Part I.

(r) Tandem operation command (SLVA)

For details of this signal, see Section 5.11, “TORQUE TANDEM CONTROL FUNCTION” in Part I.

3.2 OUTPUT SIGNALS (SP→CNC→PMC)

This section describes the functions of the signals directly input from the PMC to spindle amplifier (SP) via the CNC and also describes the signal addresses of the first spindle and second spindle. For other spindle-related output signals, refer to the Connection Manual (Function) of the relevant CNC.

- (a) For Series 16i/18i/21i
 “FANUC Series 16i/18i/21i-MODEL B
 CONNECTION MANUAL (FUNCTION) : B-63523EN-1
 Refer to Chapter 9, “SPINDLE SPEED FUNCTION.”
- (b) For Series 30i/31i/32i
 “FANUC Series 30i/31i/32i-MODEL A
 CONNECTION MANUAL (FUNCTION) : B-63943EN-1
 Refer to Chapter 11, “SPINDLE SPEED FUNCTION.”
- (c) For Series 15i
 “FANUC Series 15i-MODEL B
 CONNECTION MANUAL (FUNCTION) : B-63783EN-1
 Refer to Section 9.7, “SPINDLE SPEED FUNCTION.”
- (d) For Series 0i
 “FANUC Series 0i-MODEL C
 CONNECTION MANUAL (FUNCTION) : B-64113EN-1
 Refer to Chapter 9, “SPINDLE SPEED FUNCTION.”

3.2.1 List of Output Signals

	15i	16i	30i	#7	#6	#5	#4	#3	#2	#1	#0
1st-	F229	F045	F045	ORARA	TLMA	LDT2A	LDT1A	SARA	SDTA	SSTA	ALMA
2nd-	F245	F049	F049	ORARB	TLMB	LDT2B	LDT1B	SARB	SDTB	SSTB	ALMB
1st-	F228	F046	F046				SLVSA	RCFNA	RCHPA	CFINA	CHPA
2nd-	F244	F050	F050				SLVSB	RCFNB	RCHPB	CFINB	CHPB
1st-	F231	F047	F047				EXOFA	SORENA		INCSTA	PC1DTA
2nd-	F247	F051	F051				EXOFB	SORENB		INCSTB	PC1DTB
1st-	F230	F048	F048				CSPENA				
2nd-	F246	F052	F052				CSPENB				

3.2.2 Explanation of Output Signals

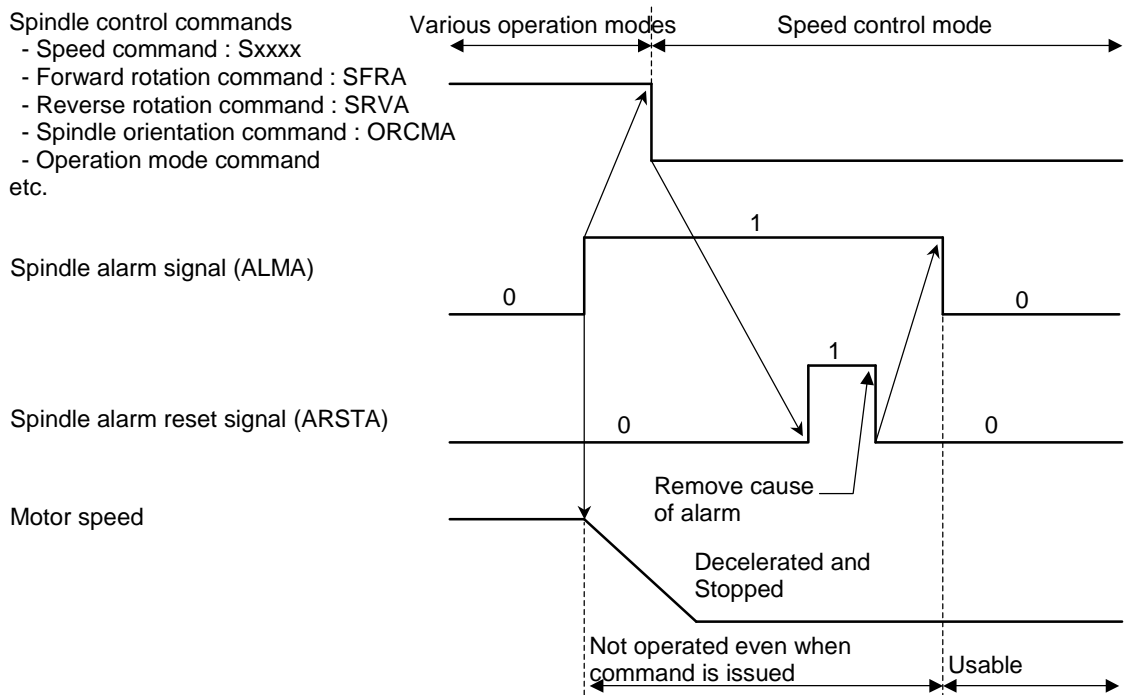
Symbol	Name	Description
ALMA, B	Spindle alarm signal	This signal is output when a spindle alarm is issued. 0: Normal state 1: Alarm state
SSTA, B	Zero-speed detection signal	This signal is output when the actual rotation speed of the spindle motor has decreased to the zero-speed detection level or lower. 0: Rotating 1: Zero-speed state
SDTA, B	Speed detection signal	This signal is output when the actual rotation speed of the spindle motor has decreased to a predetermined rotation speed or lower. 0: Above predetermined speed 1: Predetermined speed or lower
SARA, B	Speed arrival signal	This signal is output when the actual rotation speed of the spindle motor has achieved a predetermined range for a speed command. 0: Speed not achieved 1: Speed achieved
LDT1A, B	Load detection signal 1	These signals are output when load at a set load detection level or higher is detected. Different levels can be set for LDT1A and LDT2A. 0: Lower than the set load 1: Set load or higher
LDT2A, B	Load detection signal 2	
TLMA, B	Torque limit status signal	This signal is output when the torque is being limited by the TLMLA or TLMHA signal. 0: Torque not being limited 1: Torque being limited
ORARA, B	Orientation completion signal	This signal is output when the spindle stops in the neighborhood of a predetermined position after an orientation command is input. 0: Orientation not completed 1: Orientation completed
CHPA, B	Power line switching signal	This signal is used in spindle switching control. 0: Selects the MCC on the main spindle motor side. 1: Selects the MCC on the sub-spindle motor side.
CFINA, B	Spindle switching completion signal	This signal is used in spindle switching control. 0: Controls the main spindle motor. 1: Controls the sub-spindle motor.
RCHPA, B	Power line switching signal	This signal is used in speed range switching control. 0: Selects the MCC on the high-speed range characteristics side. 1: Selects the MCC on the low-speed range characteristics side.
RCFNA, B	Speed range switching completion signal	This signal is used in speed range switching control. 0: Control with high-speed range characteristics 1: Control with low-speed range characteristics
PC1DTA, B	Position coder one-rotation signal detection state signal	This signal is used to confirm whether the position coder one-rotation signal is detected or not. 0: Position coder one-rotation signal not detected 1: Position coder one-rotation signal detected
INCSTA, B	Incremental orientation signal	This signal is used to confirm whether incremental spindle orientation is being performed or not. 0: Incremental spindle orientation is not in progress. 1: Incremental spindle orientation is in progress.
SORENA, B	Synchronous orientation enable signal	This signal is used to confirm whether synchronous orientation is enabled or not. 0: Disables synchronous orientation. 1: Enables synchronous orientation.

Symbol	Name	Description
EXOFA, B	Motor excitation off state signal	This signal is used to confirm whether motor excitation is off. 0: Motor excitation is in progress. 1: Motor excitation is off.
SLVSA, B	Tandem operation state signal	This signal is used with the spindle tandem function. 0: Tandem operation is not in progress. 1: Tandem operation is in progress.
CSPENA, B	Cs reference position establishment state signal	This signal is used to indicate whether Cs axis coordinate establishment processing is possible. 0: Coordinate establishment processing is impossible (with a reference position not established). 1: Coordinate establishment processing is possible (with a reference position established).

3.2.3 Details of Output Signals

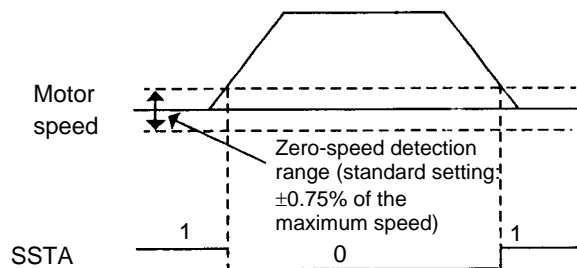
(a) Spindle alarm signal (ALMA)

- (1) When continuation of spindle motor operation becomes impossible, the power to the spindle motor is turned off to stop the spindle motor.
- (2) At the same time, spindle alarm signal ALMA is set to 1. For the meaning of the alarm, check the CNC screen and the indicator of the spindle amplifier.
- (3) Use the alarm signal output to reset the command signals sent to the spindle amplifier (speed command, forward and reverse rotation commands, spindle orientation command, operation mode command and so on). Unless the reset state has been entered (the signals issued from the PMC have been all cleared), the spindle motor may rotate when the alarm on the spindle amplifier is released, which presents a dangerous situation.
- (4) At the same time when the alarm signal is output, the power to the spindle motor is turned off, and the spindle motor coasts. Therefore, it is necessary to enter the feed hold state by setting the emergency stop state on the CNC or power magnetic cabinet.
- (5) When the alarm state is entered, ALMA is set to 1. While the alarm signal is 1, the spindle motor is placed in the coast state regardless of external commands.
- (6) The following diagram shows the relationship between the alarm signal and alarm reset signal:



(b) Zero-speed detection signal (SSTA)

- (1) When the actual rotation speed of the spindle motor has decreased to the zero-speed detection level or lower for a stop command, SSTA is set to 1.



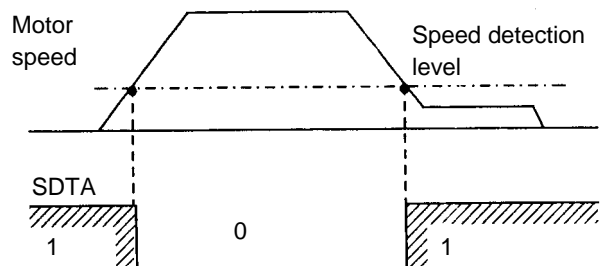
- (2) The zero-speed detection point is 0.75% (initial standard setting in the parameter) of the maximum speed. For a motor of which maximum speed is 6000 min^{-1} , for example, the zero-speed detection point is 45 min^{-1} .
- (3) When the above condition is satisfied, this signal is output regardless of the rotation command (SFR, SRV).
- (4) The minimum pulse width of this signal is approximately 40 ms.

⚠ CAUTION

- *1 If a motor feedback signal disconnection alarm (spindle alarm 73) is issued, the status of this signal is undefined.
- *2 When bit 5 of parameter No. 4007 is set to "1", the detection operation of the feedback signal disconnection alarm is not performed. Set the parameter to "0" when not required, to enable alarm detection.
- *3 If an error which cannot be detected in the motor free-running (coast) state occurs in the motor feedback system, this signal may not be output correctly in the motor free-running mode after an alarm is reset.

(c) Speed detection signal (SDTA)

- (1) When the spindle motor speed has decreased to a parameter-set speed level or lower, SDTA is set to 1.
- (2) This signal is used to confirm that the speed has decreased to a predetermined speed such as a clutch changeable speed or gear changeable speed.

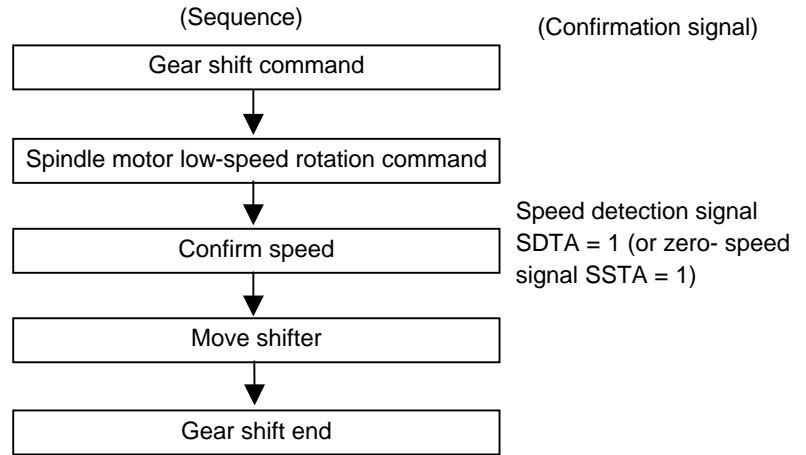


- (3) This signal is output regardless of the rotation command (SFR, SRV).

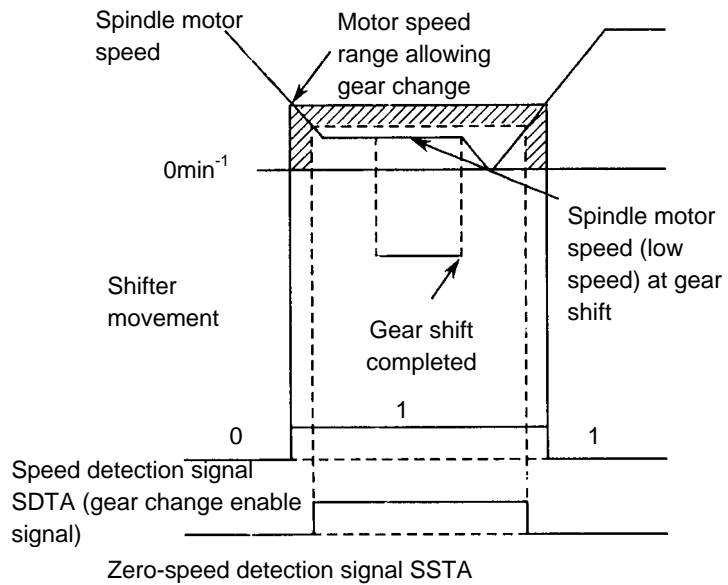
<Reference> Gear shift sequence

In CNC machine tools, gear shift, which is one of sequence controls, causes a shift of the gear section of a spindle, which is an important component of a machine. In this case, to perform gear change safely, it is necessary to confirm that the spindle motor is rotated at a low speed.

A sample gear shift sequence using the speed detection signal (gear change enable signal) is given below. Please use this sample as a reference material when designing gear shift power magnetic sequence.



To perform a gear change safely, confirm that the spindle motor speed is low by using the speed detection signal before moving the shifter. When the zero-speed detection signal is also used, duplicate checking for safety can be made.
 (Why the confirmation is required) If the shifter moves while the spindle motor rotates, the gear is damaged.

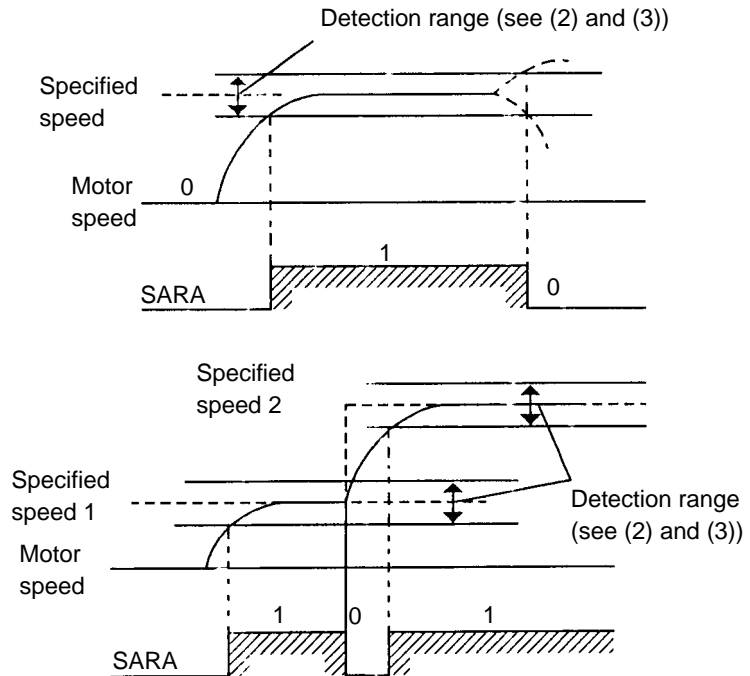


 **CAUTION**

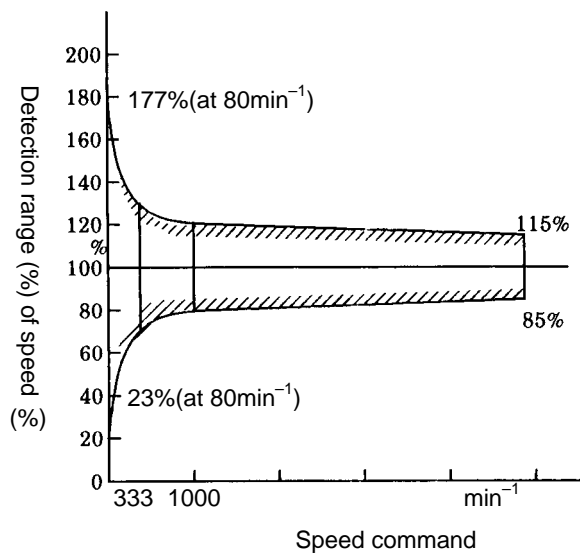
- *1 If a motor feedback signal disconnection alarm (spindle alarm 73) is issued, the status of this signal is undefined.
- *2 When bit 5 of parameter No. 4007 is set to "1", the detection operation of the feedback signal disconnection alarm is not performed.
Set the parameter to "0" when not required, to enable alarm detection.
- *3 If an error which cannot be detected in the motor free-running (coast) state occurs in the motor feedback system, this signal may not be output correctly in the motor free-running mode after an alarm is reset.

(d) Speed arrival signal (SARA)

- (1) When the actual rotation speed of the spindle motor has reached a predetermined range for a speed command, SARA is set to 1.

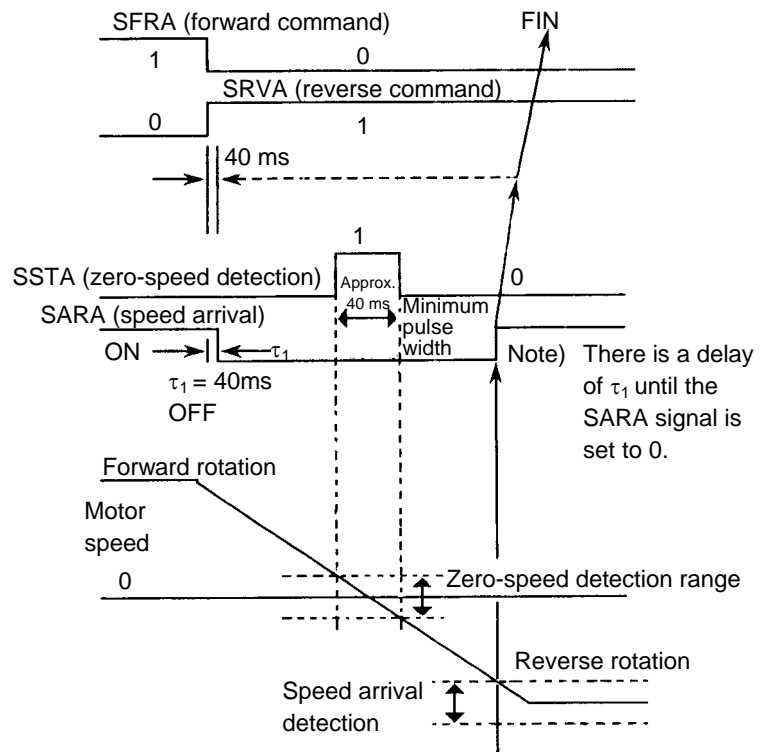


- (2) The setting range is ± 1 to 100% of a specified speed. When a speed not higher than 10% of the maximum rotation speed is specified, however, the detection range is wider than the set range.
- (3) The standard setting is $\pm 15\%$. The detection range of this speed arrival signal widens for low speeds as shown below.



- (4) This signal is output when SFRA or SRVA is set to 1.

- (5) This signal can be used to control reverse rotation in a tapping cycle as follows:



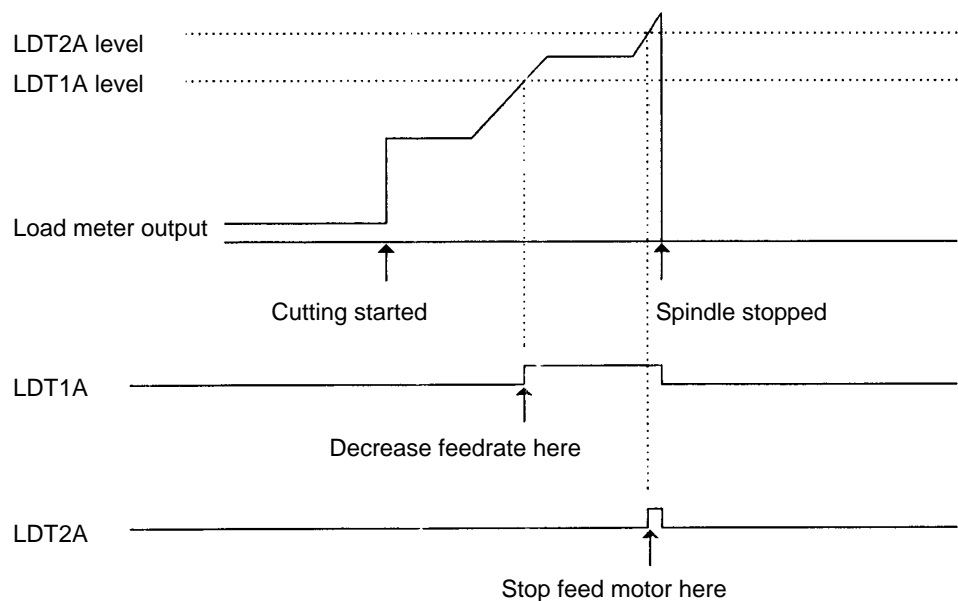
When a reverse rotation command is issued, the spindle motor starts decelerating, and 40 ms later the speed arrival signal is set to 0. Then, after the speed reaches zero, the speed arrival signal being set to 1 is detected. This completes the reverse spindle rotation command.

- (6) This signal is used as a confirmation signal (FIN signal) for forward rotation (M03) and reverse rotation (M04) commands.

CAUTION
When a spindle alarm is issued, this signal is disabled.

(e) Load detection signals (LDT1A, LDT2A)

- (1) When the maximum output level (10 V) of the load meter (LM) is assumed to be 100%, the load detection signal is set to 1 if the load meter output indicates a parameter-set value (%) or greater.
- (2) Two different levels (LDT1A and LDT2A) can be set.
- (3) These signals are used in PMC control. For example, to prevent the spindle from stopping when a cutting overload is applied to the spindle during cutting, these signals are used to decrease the feedrate or stop the feedrate.
- (4) An application example is given below.
In the following example, two load detection levels are set for control:



- (5) The above shows an example of control using two levels. When the feed motor is to be stopped immediately by using just one level, control must be provided according to the machine specification.
- (6) By default, these signals are not output in 10 seconds (set in parameter No. 4082) after the status of the speed command signal changes. They are always output when the value on the load meter exceeds the set level according to the parameter setting (bit 4 of parameter No. 4009 to 1), however.

(f) Torque limit status signal (TLMA)

For details of this signal, see Subsection 3.2.2, “Explanation of Output Signals”, in Part I.

(g) Orientation completion signal (ORARA)

For details of this signal, see Section 2.2, “POSITION CODER METHOD SPINDLE ORIENTATION”, in Part I.

(h) Power line switching signal (CHPA) and spindle switching completion signal (CFINA)

For details of these signals, see Section 5.2, “SPINDLE SWITCHING CONTROL”, in Part I.

(i) Power line switching signal (RCHPA) and speed range switching completion signal (RCFNA)

For details of these signals, see Section 5.1, “SPEED RANGE SWITCHING CONTROL”, in Part I.

(j) Position coder one-rotation signal detection state signal (PC1DTA)

For details of this signal, see Subsection 3.2.2, “Explanation of Output Signals”, in Part I.

(k) Incremental orientation signal (INCSTA)

For details of this signal, see Section 5.3, “INCREMENTAL COMMAND TYPE SPINDLE ORIENTATION”, in Part I.

(l) Synchronous orientation enable signal (SORENA)

For details of this signal, see Section 5.5, “SPINDLE ORIENTATION DURING SPINDLE SYNCHRONIZATION CONTROL”, in Part I.

(m) Motor excitation off state signal (EXOFA)

For details of this signal, see Subsection 3.1.3(p), “Disconnection detection disable signal (DSCNA)”, in Part I.

(n) Tandem operation state signal (SLVSA)

For details of this signal, see Section 5.11, “TORQUE TANDEM CONTROL FUNCTION”, in Part I.

(o) Cs reference position establishment state signal (CSPENA)

This signal indicates whether coordinate establishment processing is possible when the Cs axis coordinate establishment function is used with Series 16*i*-MODEL B/Series 30*i*-MODEL A.

If reference position return operation is performed in the Cs mode when bit 5 of parameter No. 4353 is set to 1, this signal is set to 1 from 0 to enable coordinate establishment processing.

This signal is set to 0 when the power is turned off or a spindle alarm is issued.

NOTE

With the following series and editions, this signal can be used:

Series 9D50 G (07) and subsequent editions

Series 9D70 A (01) and subsequent editions

Series 9D80 A (01) and subsequent editions

4

ADJUSTMENT

4.1 VELOCITY LOOP GAIN ADJUSTMENT

4.1.1 Overview

Optimum adjustment of the velocity loop gain increases the position loop gain, therefore significantly enhancing disturbance suppression performance, positioning speed and accuracy. So, the adjustment of the velocity loop gain is very important in servo adjustments, and it should be performed first. This section explains the parameters for velocity loop gain adjustment and the adjustment procedure.

4.1.2 Parameters

There are five operation modes in spindle control: velocity control mode, orientation, servo mode (rigid tapping and spindle positioning), spindle synchronous control, and Cs contour control. There are parameters corresponding to each operation mode and to the clutch/gear signals (CTH1A and CTH2A). The following shows the parameters for each operation mode.

(1) Velocity control mode

15i	16i	30i
3040	4040	4040
3041	4041	4041

Velocity loop proportional gain on velocity control mode (HIGH)	CTH1A=0
Velocity loop proportional gain on velocity control mode (LOW)	CTH1A=1

Unit of data :
Valid data range : 0 to 32767
Standard setting value : 10

15i	16i	30i
3048	4048	4048
3049	4049	4049

Velocity loop integral gain on velocity control mode (HIGH)	CTH1A=0
Velocity loop integral gain on velocity control mode (LOW)	CTH1A=1

Unit of data :
Valid data range : 0 to 32767
Standard setting value : 10

(2) Orientation

15i	16i	30i
3042	4042	4042
3043	4043	4043

Velocity loop proportional gain on orientation (HIGH)	CTH1A=0
Velocity loop proportional gain on orientation (LOW)	CTH1A=1

Unit of data :
Valid data range : 0 to 32767
Standard setting value : 10

15i 16i 30i
3050 4050 4050
3051 4051 4051

Velocity loop integral gain on orientation (HIGH)	CTH1A=0
Velocity loop integral gain on orientation (LOW)	CTH1A=1

Unit of data :
Valid data range : 0 to 32767
Standard setting value : 10

(3) Servo mode (Rigid tapping and spindle positioning)

15i 16i 30i
3044 4044 4044
3045 4045 4045

Velocity loop proportional gain on servo mode (HIGH)	CTH1A=0
Velocity loop proportional gain on servo mode (LOW)	CTH1A=1

Unit of data :
Valid data range : 0 to 32767
Standard setting value : 10

15i 16i 30i
3052 4052 4052
3052 4052 4052

Velocity loop integral gain on servo mode (HIGH)	CTH1A=0
Velocity loop integral gain on servo mode (LOW)	CTH1A=1

Unit of data :
Unit of data :
Valid data range : 0 to 32767
Standard setting value : 10

(4) Spindle synchronous control

16i 30i
4044 4044
4045 4045

Velocity loop proportional gain on spindle synchronous control (HIGH)	CTH1A=0
Velocity loop proportional gain on spindle synchronous control (LOW)	CTH1A=1

Unit of data :
Valid data range : 0 to 32767
Standard setting value : 10

16i 30i
4052 4052
4053 4053

Velocity loop integral gain on spindle synchronous control (HIGH)	CTH1A=0
Velocity loop integral gain on spindle synchronous control (LOW)	CTH1A=1

Unit of data :
Valid data range : 0 to 32767
Standard setting value : 10

NOTE

For the velocity loop gain on spindle synchronous control and on the servo mode, common parameters are used.

(5) Cs contour control

15i 16i 30i
3046 4046 4046
3047 4047 4047

Velocity loop proportional gain on Cs contouring control (HIGH)	CTH1A=0
Velocity loop proportional gain on Cs contouring control (LOW)	CTH1A=1

Unit of data :
Valid data range : 0 to 32767
Standard setting value : 30

15i 16i 30i
3054 4054 4054
3055 4055 4055

Velocity loop integral gain in Cs contouring control (HIGH)	CTH1A=0
Velocity loop integral gain in Cs contouring control (LOW)	CTH1A=1

Unit of data :
Valid data range : 0 to 32767
Standard setting value : 50

4.1.3 Adjustment Procedure

(1) Start of each operation mode

In preparation for the adjustment, settings must be made so that a stable operation takes place in each mode without overshoot or oscillation.

See Chapter 2, "EXPLANATION OF OPERATION MODES", temporarily set parameters (acceleration/deceleration time constant, position gain, and so on) to make operations stable in each operation mode, and confirm operations.

NOTE

When a motor with a large torque-to-inertia ratio (for example, low-speed winding of a motor with an speed range switching function) is used, or when the rigidity of the spindle is low, the standard setting of the velocity loop gain may be so high that oscillation can occur. In such a case, decrease the velocity loop gain.

(2) Adjustment

When adjusting the velocity loop gain, check the operation mode and clutch/gear signal, and modify corresponding parameters. Follow the steps below to adjust the parameters:

<1> Determining the oscillation limit

Basically, determine the oscillation limit based on torque commands, position errors, vibration, sound, and so on when the motor is stopped (for orientation, after completion of the operation) or when the motor rotates at a certain speed not higher than the base speed. Normally, increase the proportional gain and integral gain settings in steps of about 5; for a motor with a large torque-to-inertia ratio, increase these settings in steps of about 2. As the settings are increased gradually, the symptoms below start to appear at a certain setting level. The settings at this level are determined to be the oscillation limit:

- The machine vibrates or produces large sound.
- Vibration of a torque command becomes large.
- Position errors at stop time vary largely.

NOTE

The oscillation limit varies with the spindle inertia. In a machine in which the inertia varies largely according to the tool and workpiece used, adjustment must be made in the smallest inertia state.

<2> Final settings

Set proportional gain of approximately 70% of the oscillation limit. As the integral gain, the same value as the proportional gain is basically set. When increasing the setting, however, make an adjustment so that the integral gain is typically about twice or five times as high as the proportional gain.

<3> Elimination of machine resonance

At the time of velocity loop gain adjustment, the gain cannot sometimes be increased because of machine resonance. In such a case, the machine resonance elimination function (a torque command filter and HRV filter) described in the next section can be adjusted to increase the velocity loop gain while avoiding machine resonance. See Section 4.2, "MACHINE RESONANCE ELIMINATION", and make adjustments as necessary.

4.1.4 Additional Information (Position Gain Adjustment)

Although the limit value of the position gain is determined basically depending on the velocity loop characteristics, the setting standards may vary depending on the operation mode. See Chapter 2, "EXPLANATION OF OPERATION MODES", and make adjustments accordingly.

4.2 MACHINE RESONANCE ELIMINATION

4.2.1 TCMD Filter

(1) Overview

The torque command filter applies a primary low-pass filter to torque commands. When the machine system resonates at frequencies as high as several hundreds Hz or higher, this function can avoid such high-frequency resonance.

(2) Series and editions of applicable spindle software

9D50 series A(01) edition or later
 9D70 series A(01) edition or later
 9D80 series A(01) edition or later

(3) Details

Fig. 4.2.1 shows a velocity loop configuration including the torque command filter.

When the machine system has a high resonance frequency, the speed feedback may include a resonance component, and this component may be amplified by the proportional gain (K_P).

The torque command filter prevents machine resonance by applying a primary low-path filter to the proportional of the torque command to remove high-frequency components of the torque command.

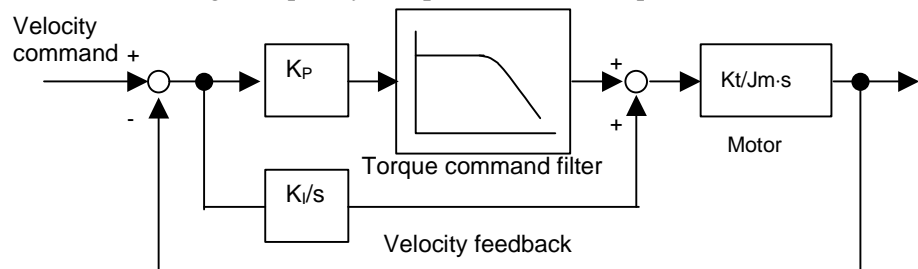


Fig. 4.2.1 velocity loop configuration including the torque command filter

(4) Setting parameters

15i	16i	30i
3121	4121	4121
3157	4157	4157

Torque command filter time constant
Torque command filter time constant: for low-speed characteristics

Unit of data : 0.5msec
 Valid data range : 0 to 32767
 Standard setting value : 5

Basically, use the standard setting value 5 (time constant: 2.5 ms). When a value greater than the standard setting value needs to be set, make an adjustment and typically set a value not greater than 15. When a value greater than 15 needs to be set, decrease the velocity loop gain.

4.2.2 HRV Filter

(1) Overview

The HRV filter can attenuate signals which are in certain frequency band. When a strong resonance point is present in an area not lower than 200 Hz, and it is impossible to increase the velocity loop gain, the velocity loop gain can be increased by using this filter.

NOTE

For machines in which the rigidity of the part connecting the spindle and motor is considered to change with time, or for machines whose spindle inertia changes largely depending on the tool or workpiece used, do not use the HRV filter.

(2) Series and editions of applicable spindle software

Spindle software

Series	Edition	Usable CNC
9D50	E (05) edition or later	
9D70	A (01) edition or later	
9D80	A (01) edition or later	

* When the HRV filter disable signal is used, the following spindle and CNC software products must be used.

Spindle software

Series	Edition	Usable CNC
9D50	W (23) edition or later	
9D70	L (12) edition or later	
9D80	H (08) edition or later	

CNC software (HRV filter disable signal supported)

Series	Edition	Usable CNC
B0H1	K (11) edition or later	FS16i / FS160i / FS160is-MB
BDH1	K (11) edition or later	FS18i / FS180i / FS180is-MB
BDH5	B (02) edition or later	FS18i / FS180i / FS180is-MB5
DDH1	K (11) edition or later	FS21i / FS210i / FS210is-MB
B1H1	K (11) edition or later	FS16i / FS160i / FS160is-TB
BEH1	K (11) edition or later	FS18i / FS180i / FS180is-TB
DEH1	K (11) edition or later	FS21i / FS210i / FS210is-TB
G002/G012/ G022/G032	W (23) edition or later	FS30i / FS300i / FS300is-A
G003/G013/ G023/G033	F (06) edition or later	
G121/G131	W (23) edition or later	FS31i / FS310i / FS310is-A5
G123/G133	F (06) edition or later	
G101/G111	W (23) edition or later	FS31i / FS310i / FS310is-A
G103/G133	F (06) edition or later	
G201	W (23) edition or later	FS32i / FS320i / FS320is-A
G203	F (06) edition or later	

(3) Details

Fig. 4.2.2 shows the HRV filter configuration.

The HRV filter is applied to the proportional (the value immediately after the torque command filter in Fig. 4.2.1) of the torque command after the command is passed through the torque command filter. The HRV filter attenuates signals in a set frequency band to avoid machine resonance.

Four filter stages in total can be applied. For each stage, filter characteristics are set by using three parameters including the center frequency, band width, and damping.

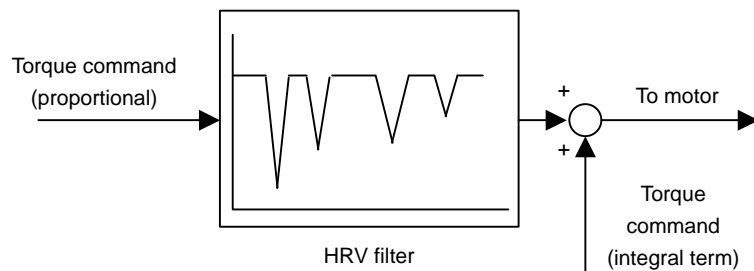


Fig.4.2.2 (a) HRV filter configuration

(4) I/O Signals (CNC↔PMC)**(4-1) Input signals (PMC→CNC)**

	16i	30i	#7	#6	#5	#4	#3	#2	#1	#0
1st-	G305	G305					HF4A	HF3A	HF2A	HF1A
2nd-	G309	G309					HF4B	HF3B	HF2B	HF1B

HF1A HRV filter disable signal 1 (for 1st spindle)
 HF1B HRV filter disable signal 1 (for 2nd spindle)
 0: Enables HRV filter 1
 1: Disables HRV filter 1
 HRV filter 1 (set with parameter Nos. 4391 to 4393) is disabled.

HF2A HRV filter disable signal 2 (for 1st spindle)
 HF2B HRV filter disable signal 2 (for 2nd spindle)
 0: Enables HRV filter 2
 1: Disables HRV filter 2
 HRV filter 2 (set with parameter Nos. 4416 to 4418) is disabled.

HF3A HRV filter disable signal 3 (for 1st spindle)
 HF3B HRV filter disable signal 3 (for 2nd spindle)
 0: Enables HRV filter 3
 1: Disables HRV filter 3
 HRV filter 3 (set with parameter Nos. 4419 to 4421) is disabled.

HF4A HRV filter disable signal 4 (for 1st spindle)
 HF4B HRV filter disable signal 4 (for 2nd spindle)
 0: Enables HRV filter 4
 1: Disables HRV filter 4
 HRV filter 4 (set with parameter Nos. 4422 to 4424) is disabled.

CAUTION

When motor excitation is in progress (motor excitation off state signal: EXOFx = 0), do not change the status of the following signals:

HF1x, HF2x, HF3x, and HF4x

(4-2) Output signals (CNC→PMC)

	16i	30i	#7	#6	#5	#4	#3	#2	#1	#0
1st-	F047	F047				EXOFA				
2nd-	F051	F051				EXOFB				

EXOFA Motor excitation off status signal (for 1st spindle)

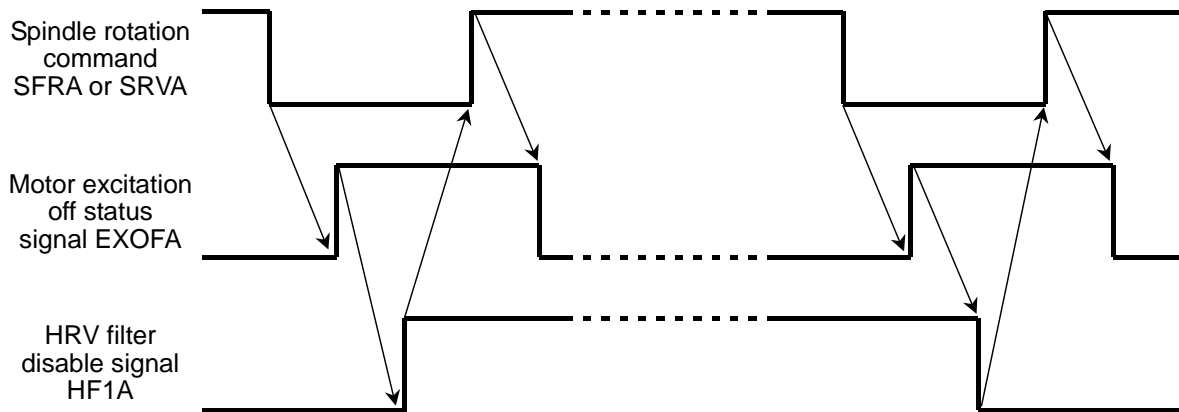
EXOFB Motor excitation off status signal (for 2nd spindle)

0: Motor excitation is on.

1: Motor excitation is off.

Make sure that status of this signal is '1' before changing status of HRV filter disable signal HF1x, HF2x, HF3x and HF4x.

(4-3) Examples of Sequences



(5) Setting parameters

15i	16i	30i
3391	4391	4391
3392	4392	4392
3393	4393	4393

HRV filter 1 - attenuation center frequency
--

HRV filter 1 - attenuation bandwidth

HRV filter 1 - damping

15i	16i	30i
3416	4416	4416
3417	4417	4417
3418	4418	4418

HRV filter 2 - attenuation center frequency
--

HRV filter 2 - attenuation bandwidth

HRV filter 2 - damping

15i	16i	30i
3419	4419	4419
3420	4420	4420
3421	4421	4421

HRV filter 3 - attenuation center frequency
--

HRV filter 3 - attenuation bandwidth

HRV filter 3 - damping

15i	16i	30i
3422	4422	4422
3423	4423	4423
3424	4424	4424

HRV filter 4 - attenuation center frequency
--

HRV filter 4 - attenuation bandwidth

HRV filter 4 - damping

Attenuation center frequency :

Unit of data : 1Hz

Valid data range : 96 to 3000

Standard setting value : 0

Attenuation bandwidth :

Unit of data : 1Hz

Valid data range : 10 to 3000

Standard setting value : 0

Damping :

Unit of data : 1%

Valid data range : 0 to 100

Standard setting value : 0

For each filter stage, set three parameters including the attenuation center frequency, attenuation bandwidth, and damping. When a filter stage is not to be used, set 0 (standard setting) in all the three parameters. When input signal HFx (x: 1 to 4) is set to 1, the HRV filter x is disabled.

(6) Adjustment

The disturbance input function (see Subsection 4.2.3, “Disturbance Input Function”) is used for adjustment. After increasing the velocity loop gain until oscillation disappears, use the disturbance input function to observe the frequency (FNCFRQ) and gain (TFUNCG: ratio of the amplitude of the torque command before disturbance application to the amplitude of the disturbance torque command). When there is strong resonance, the gain near the resonance point increases abruptly. So, set the frequency around the peak as the attenuation center frequency, and adjust the attenuation bandwidth and damping. To minimize influences on other bands, make adjustments and set an attenuation bandwidth value as small as possible and a damping value as large as possible.

An example for adjusting the HRV filter using the disturbance input function is given below.

A spindle check board and oscilloscope are required for the adjustment.

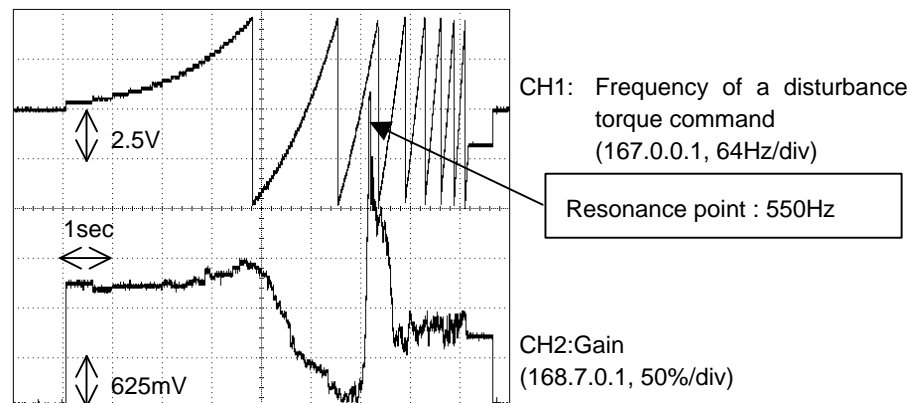


Fig.4.2.2 (b) Before application of the HRV filter

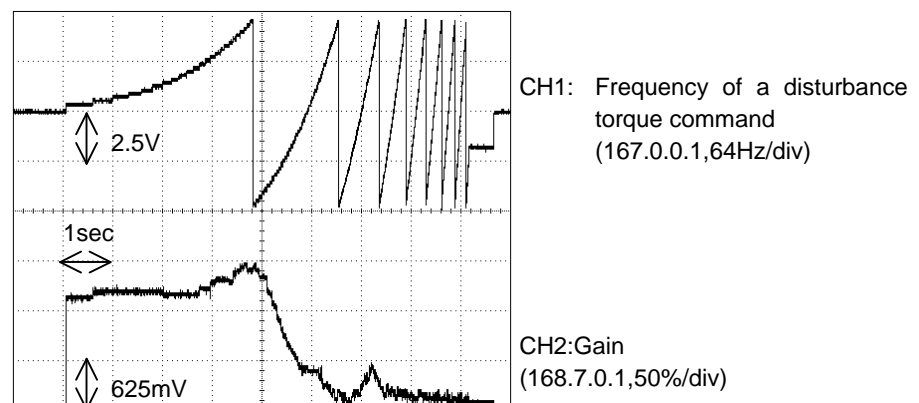


Fig.4.2.2 (c) After application of the HRV filter

(Attenuation center frequency = 550Hz, attenuation bandwidth = 40Hz, damping = 0%)

- * Adjustment without the disturbance input function
When adjusting the HRV filter without the disturbance input function, increase the velocity loop gain until oscillation occurs, observe the vibration of a torque command, set its frequency as the attenuation center frequency, and adjust the attenuation bandwidth and damping.

(7) Additional information (cautions)

When the HRV filter is used, inappropriate parameter setting may make velocity loop control unstable, resulting in abnormal oscillation by a torque command. There is a high possibility that velocity loop control becomes unstable when a “low” center frequency, “high” bandwidth, and “small” damping coefficient are set.

1. The motor may accelerate to a speed higher than the specified one with an acceleration/deceleration function depending on the degree of oscillation. Before using the HRV filter, fully consider the following points and adjust the parameters:
The use of the HRV filter is allowed when the center frequency is 200 Hz or higher.
2. The standard attenuation bandwidth is up to 30% of the center frequency. Set as small a value as possible.
3. Set as large a damping coefficient as possible.
4. When the center frequency of machine resonance is 200 Hz or lower, adjust the parameters with observing the instructions described in items (2) and (3) while checking that no torque command causes abnormal oscillation.
5. When you do not use the HRV filter, set all three parameters (attenuation center frequency, attenuation bandwidth, and damping) for HRV filters 1 to 4 to “0.”

4.2.3 Disturbance Input Function

(1) Overview

This function is used to measure the gain of the frequency response of a torque command to a disturbance torque command by applying the disturbance torque command in form of a sine wave to the torque command.

With this function, the HRV filter can be adjusted easily.

(2) Series and editions of applicable spindle software

9D50 series E(05) edition or later

9D70 series A(01) edition or later

9D80 series A(01) edition or later

(3) Details

Fig. 4.2.3 (a) shows the configuration of the disturbance input function.

A disturbance torque command (DTQCMD) in form of a sine wave is applied to the torque command (TQCMDB), which is the output of the velocity loop controller (including filtering), and the input frequency is increased step by step. While the frequency of the disturbance torque command is being increased, the frequency and the ratio of the amplitude of the torque command to the amplitude of the disturbance torque command (TQCMDB/DTQCMD) (the gain) are observed simultaneously. By doing this, the gain of the frequency response of the torque command to the disturbance torque command can be measured.

If there is strong resonance, an abrupt increase in the gain is observed near the resonance frequency. So, by observing this phenomenon, the HRV filter can be adjusted easily.

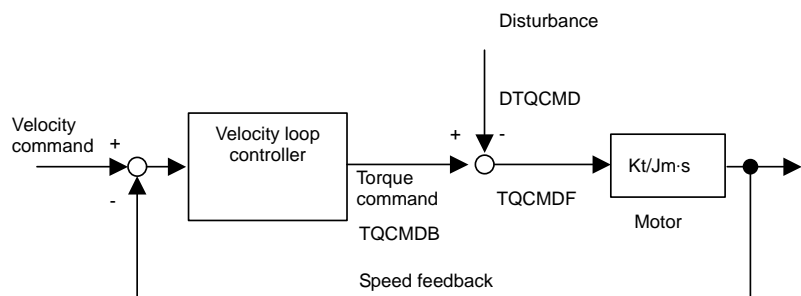


Fig.4.2.3 (a) Configuration of the disturbance input function

(4) Setting parameters

15i	16i	30i	#7	#6	#5	#4	#3	#2	#1	#0
3395	4395	4395	DTQFNC	DTQTRG						

DTQFNC Disturbance input function bit
 0: Disables the disturbance input function.
 1: Enables the disturbance input function.
 This bit is valid only when S0 is specified in the velocity control mode.
 If this bit is set to 1 under conditions other than the above, the spindle amplifier results in a status error (error No. 32), and the excitation of the spindle motor is turned off.

DTQTRG Disturbance input function bit
 When this bit is set to ON (0 → 1) while excitation is ON (SFR = 1 or SRV = 1), a measurement starts. When this bit is set to OFF during measurement, the measurement is stopped in the middle.

15i	16i	30i	
3410	4410	4410	Measurement start frequency

Unit of data : 1Hz
 Valid data range : 0 to 2000
 Standard setting value : 0
 Set the frequency at which measurements are to start.
 When 0 is set, 10 Hz is assumed.

15i	16i	30i	
3411	4411	4411	Measurement end frequency

Unit of data : 1Hz
 Valid data range : 0 to 2000
 Standard setting value : 0
 Set the frequency at which measurements are to end.
 When 0 is set, 500 Hz is assumed.

15i	16i	30i	
3412	4412	4412	Measurement frequency interval

Unit of data : 1Hz
 Valid data range : 0 to 20
 Standard setting value : 0
 Set the interval of measurement frequencies.
 When 0 is set, 5 Hz is assumed.

15i 16i 30i
3413 4413 4413

Number of measurement times per frequency
--

Unit of data : 1 time
Valid data range : 0 to 1000
Standard setting value : 0
Set the number of times a measurement is made per frequency.
When 0 is set, five times are assumed.
Normally, set 0.

15i 16i 30i
3414 4414 4414

Disturbance torque command amplitude

Unit of data : 1% (100% = maximum torque command)
Valid data range : 0 to 50
Standard setting value : 0
Set the amplitude of the disturbance torque command.
When 0 is set, 5% is assumed.
Normally, set 0.

15i 16i 30i
3415 4415 4415

Motor speed command at measurement time
--

Unit of data : 1min^{-1} (Unit of 10min^{-1} when bit 2 (SPDUNT) of parameter No. 4006 = 1)
Valid data range : -32768 to +32767
Standard setting value : 0
Set the motor speed command at measurement time.
The speed is clamped at the maximum speed of the motor.

15i 16i 30i
3030 4030 4030

Change rate of motor speed command at measurement
--

Unit of data : $1\text{min}^{-1}/\text{sec}$ (Unit of $10\text{min}^{-1}/\text{sec}$ when bit 2 (SPDUNT) of parameter No. 4006 = 1)
Valid data range : 0 to +32767
Standard setting value : 0
When a non-zero value is to be set as the motor speed command at measurement time, set the change rate of the motor speed command to prevent abrupt acceleration/deceleration.
When the disturbance input function is disabled (DTQFNC = 0), this parameter is used as the soft start/stop setting time. So, after the measurements, restore the original value.

(5) Measurement procedure

Follow the steps below to make measurements:

As the operation mode, set the velocity control mode.

<1> Parameter setting (preparation for measurements)

Basically, only bit setting in parameter No. 4395 needs to be performed.

→ Bit 7 (DTQFNC) of parameter No. 4395 = 1, bit 6 (DTQTRG) = 0

For other parameters, although default settings may be used, set appropriate value as necessary. (When the frequency of the resonance point is high, the setting of the measurement end frequency must be increased.)

<2> Issue the S0 command and turn on excitation (SFR = 1 or SRV = 1).

<3> Setting measurement start trigger DTQTRG to 1 starts measurements.

When a non-zero value is set in the motor speed command at the measurement time (parameter No. 4415), the motor accelerates to the set speed before measurements start. When measurements end, the motor decelerates then stops.

If one of the following conditions is satisfied during measurements, measurements are interrupted, and the motor decelerates then stops:

- The measurement start trigger is turned off. (DTQTRG = 0)
- Spindle motor excitation is turned off. (SFR = 0, SRV = 0)
- An emergency stop is applied.

<4> To restart measurements, set measurement start trigger DTQTRG to ON (0 → 1).

In HRV filter adjustment, a measurement and parameter change must be repeated. So adjust the filter by repeating the following steps: starting measurement (DTQTRG = 1) → end of measurement → DTQTRG = 0 → changing the HRV filter parameters → starting measurement (DTQTRG = 1) and so on.

<5> After completing measurements (adjustment), turn off motor excitation, and reset all the parameters for the disturbance input function to 0.

(6) Observing data

The table below shows the setting method for observing measurement data on the spindle check board and descriptions of observation data. At the time of measurement (adjustment), observe data listed in the table by using measuring devices such as the spindle check board and an oscilloscope. Fig. 4.2.3 (b) shows an example of data observation at the time of measurement.

Channel	Setting address	Settings	Descriptions
CH1	d-05 (data number)	167	FNCFRQ : Frequency of disturbance torque command
	d-06 (shift amount)	0 or 1	±128 Hz/±5 V with shift amount 0 ±256 Hz/±5 V with shift amount 1
	d-07 (shift direction)	0	
	d-08 (offset)	1	
CH2	d-09 (data number)	168	TFUNCG : Ratio of amplitude of TQC MDB to amplitude of DTQC MD (gain)
	d-10 (Shift amount)	6 or 7	±200 %/±5 V with shift amount 6 ±400 %/±5 V with shift amount 7
	d-11 (shift direction)	0	
	d-12 (offset)	1	

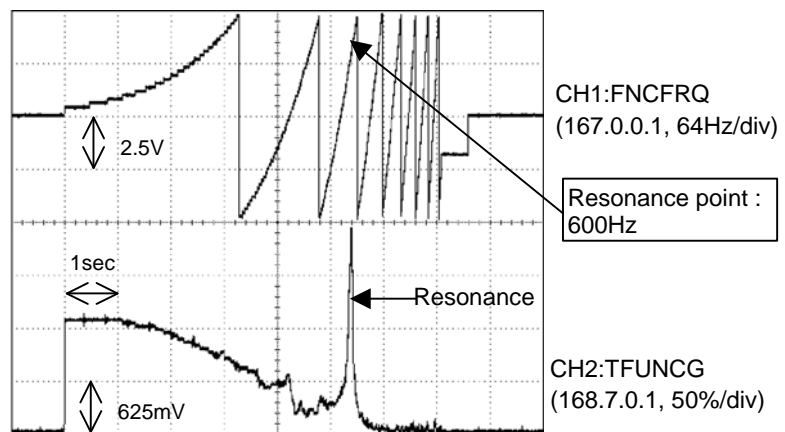


Fig.4.2.3 (b) Example for observing disturbance input function data

* The data shows that strong resonance is present at about 600 Hz.

4.3 AMPLITUDE RATIO/PHASE DIFFERENCE COMPENSATION FUNCTION

(1) Overview

This function compensates for errors in speed and position detection due to the amplitude ratio and phase difference of phase A/B of speed and position detection sensors.

By using this function, improvements in positioning and feed accuracy at the time of Cs contour control can be expected.

(2) Series and editions of applicable spindle software

9D50 series C(03) edition or later

9D70 series A(01) edition or later

9D80 series A(01) edition or later

NOTE

When the α iCZ sensor (serial) is used, this function cannot be used.

(3) Details

The feedback signals from the α iM sensor, α iMZ sensor, α iBZ sensor, and α iCZ sensor (analog) are used for speed or position detection in the spindle amplifier, and they are two sine wave signals (phase A/B) having the same amplitude and a phase difference of 90°. Based on these phase A/B signals, the detection circuit of the spindle amplifier generates feedback data used for speed and position detection. If the feedback signals are in the ideal state (having the same amplitude and a phase difference of 90°), accurate feedback data is generated. Actually, however, the amplitude and phase difference are slightly deviated from the ideal state. This deviation causes a feedback data error, which lowers the accuracy of speed and position detection.

When the feedback data has an error due to the deviation in amplitude and phase difference of the feedback signals as described above, this function performs compensation of feedback data generation processing (interpolation processing) of the detection circuit by setting compensation data for the detection circuit to minimize the error.

Use of this function improves the accuracy in speed and position detection. As a result, positioning and feed accuracy can be improved, and also improvement in rigidity can be expected because of the increase in velocity loop gain and position loop gain.

NOTE

This function does not simplify sensor installation work by directly performing compensation of the feedback signals. The sensor signals must satisfy the specification. So, before using this function, check that the feedback signals satisfy the specification.

(4) Setting parameters

15i	16i	30i
3355	4355	4355

Compensation of motor sensor signal amplitude ratio
--

Unit of data : 1%
Valid data range : -8 to +8
Standard setting value : 0

15i	16i	30i
3356	4356	4356

Compensation of motor sensor signal phase difference

Unit of data : 1°
Valid data range : -4 to +4
Standard setting value : 0

15i	16i	30i
3357	4357	4357

Compensation of spindle sensor signal amplitude ratio
--

Unit of data : 1%
Valid data range : -8 to +8
Standard setting value : 0

15i	16i	30i
3358	4358	4358

Compensation of spindle sensor signal phase difference

Unit of data : 1°
Valid data range : -4 to +4
Standard setting value : 0

When compensation of the feedback signal of the motor sensor connected to spindle amplifier JYA2 is performed, the settings of parameter Nos. 4355 and 4356 are adjusted. When compensation of the feedback signal of the spindle sensor connected to JYA4 is performed, the settings of parameter Nos. 4357 and 4358 are adjusted. When as with a built-in motor the speed sensor and position sensor are the same (the feedback signal of JYA2 is used for speed detection and position detection), compensation is performed for JYA2 only. When the speed sensor and position sensor are provided separately (the feedback signal of JYA2 is used for speed detection, and the feedback signal of JYA4 is used for position detection), compensation is performed for both JYA2 and JYA4.

(5) Preparation for adjustment

With this function, parameters are adjusted by rotating the spindle at a certain speed in the velocity control mode and observing feedback data. The measuring devices required for the adjustment and the settings made at the time of adjustment are explained below.

<1> Measuring devices required for adjustment

For the adjustment by this function, a spindle check board (A06B-6078-H001) and a digital oscilloscope having an averaging function are required.

<2> Speed and rotation direction at adjustment time

For adjustment on the motor sensor side, issue a speed command and rotation direction command (SFR or SRV) so that the motor rotates in the forward direction (counterclockwise) at speed N (see the equation below). For adjustment on the spindle sensor side, issue the commands so that the spindle rotates in the forward direction (counterclockwise) at speed N.

$$N [\text{min}^{-1}] = 4685 / \text{Number of sensor gear teeth} [\lambda/\text{rev}]$$

Example: When the number of sensor gear teeth = 256 $[\lambda/\text{rev}]$

$$N = 4685/256 = \text{approx. } 18 [\text{min}^{-1}]$$

<3> Setting observation data

The table given below lists the data items to be observed at the time of adjustment and the settings for output on the spindle check board. For adjustment on the motor sensor (JYA2) side, observe data with data Nos. 313 and 231. For adjustment on the spindle sensor (JYA4) side, observe data with data Nos. 314 and 232.

Channel	Setting address	Setting data	Description
CH1	d-05 (data number)	313	Motor sensor feedback incremental data
		314	Spindle sensor feedback incremental data
	d-06 (shift amount)	3 to 5	Incremental data sent every 2 ms for feedback data (data Nos. 231 and 232)
	d-07 (shift direction)	0	
	d-08 (offset)	0 or 1	The data weights $1/2^4 \lambda/10V$ for a shift amount of 4
CH2	d-09 (data number)	231	Motor sensor feedback data
		232	Spindle sensor feedback data
	d-10 (Shift amount)	8	The data weights $1\lambda/10V$.
	d-11 (shift direction)	0	
	d-12 (offset)	0	During rotation, a saw tooth wave form is observed, and the edge interval is equivalent to data for 1λ of the sensor gear.

<4> Setting the oscilloscope

Connect and set the oscilloscope as shown below to observe data. Use a falling edge of feedback data as a trigger, observe a waveform which averages incremental data, and adjust parameters so that the amplitude of this waveform is minimized.

Channel 1: Connected to the CH1 pin of the check board (0.5 to 1 V/div)

Channel 2: Connected to the CH2 pin of the check board (5 V/div)

Measurement time range: 5 to 10 ms/div

Trigger setting: Falling edge of channel 2

Number of averaging times: About 16 to 64 times

(6) Adjustment procedure

After completing the preparation for adjustment mentioned previously, follow the steps below to adjust parameter settings in the MDI mode.

NOTE

Note that the α i series does not have the adjustment function using the spindle check board.

<1> Rotation in the velocity control mode

Set all the amplitude ratio and phase difference compensation parameters to 0, and rotate the spindle (motor) in the previously mentioned direction and at speed N in the velocity control mode.

<2> Setting and adjusting the check board and oscilloscope

After disabling the averaging function of the oscilloscope, adjust the settings regarding the shift amount and the presence/absence of an offset for CH1, and the display setting of the oscilloscope so that incremental data does not overflow the check board output range (± 5 V) and oscilloscope display range (see Fig. 4.3 (a)).

After completing the adjustment of the check board and oscilloscope, enable the averaging function (See Fig. 4.3 (b)).

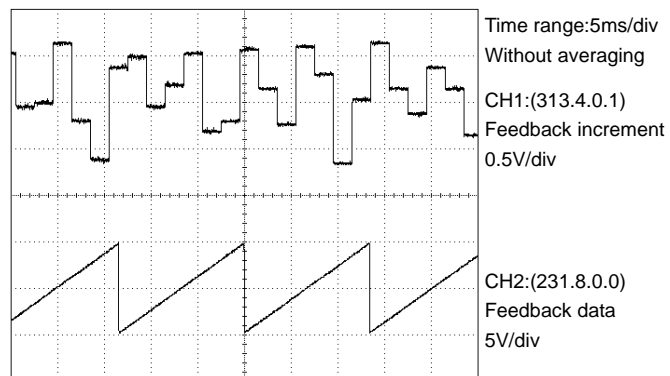


Fig. 4.3 (a) Without averaging

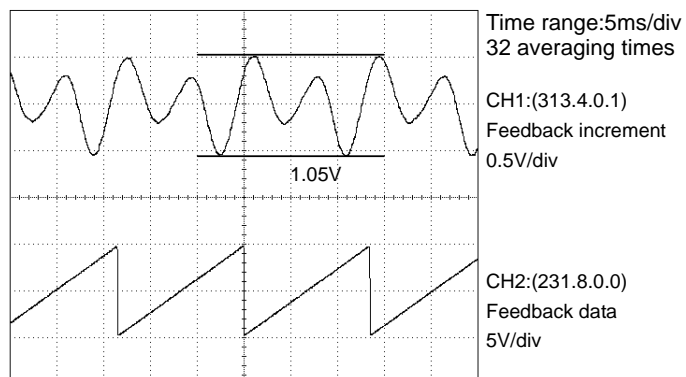


Fig. 4.3 (b) When averaging is performed 32 times

* Sensor: $256 \lambda/\text{rev}$, speed 18 min^{-1}

- <3> Adjusting the phase difference compensation parameter
Set the parameter for amplitude ratio compensation (parameter No. 4355 or 4357) to 0, and adjust the phase difference compensation parameter (parameter No. 4356 or 4358). Typically, set a value with which the amplitude of averaged incremental data is minimized. First, check the amplitude by entering (+)1 as the parameter value and the amplitude by entering -1. In the direction in which the amplitude becomes smaller, change the parameter value in steps of 1. Then, you can find the optimum value easily. Fig. 4.3 (c) shows the waveform obtained after phase difference compensation adjustment.

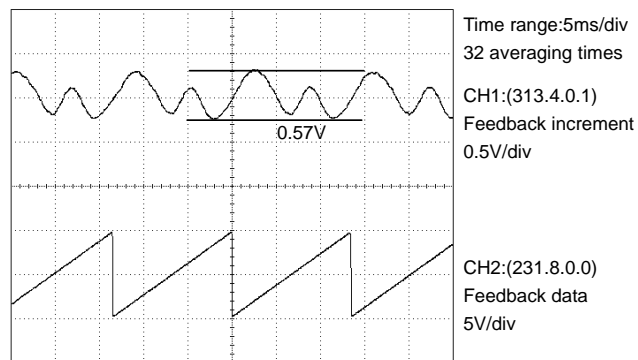


Fig. 4.3 (c) After phase difference compensation

- <4> Adjusting the amplitude ratio compensation parameter
After adjusting phase difference compensation to an optimum value, adjust amplitude ratio compensation. The adjustment method and the guideline for adjustment are the same as for phase difference compensation. Perform adjustment so that the amplitude of feedback incremental data becomes smaller. Fig. 4.3 (d) shows the waveform obtained after adjustment of amplitude ratio compensation (and phase difference compensation).

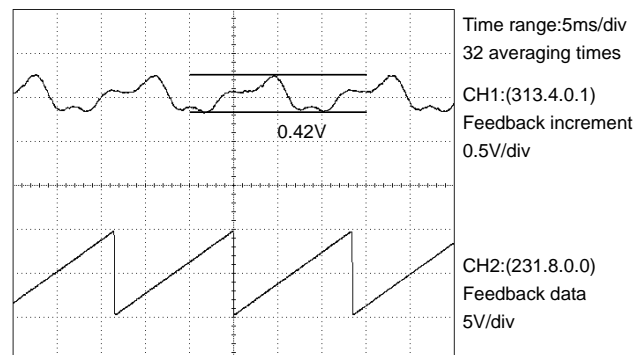


Fig. 4.3 (d) After amplitude ratio (and phase difference) compensation

NOTE

Whichever compensation, amplitude ratio compensation or phase difference compensation, may be adjusted first, the same adjustment result can be obtained. So, steps <3> and <4> may be performed in reverse order.

5

FUNCTION DESCRIPTIONS

5.1 SPEED RANGE SWITCHING CONTROL (OPTIONAL FUNCTION)

5.1.1 Overview

Speed range switching control switches the output characteristic (winding) of a spindle motor (motor designed for speed range switching control) that has two types of windings (winding with low-speed output characteristic and winding with high-speed output characteristic).

NOTE

Using this function requires the CNC software option.

5.1.2 Series and Editions of Applicable Spindle Software

Spindle software

Series	Edition	Usable CNC
9D50	A (01) edition or later	FS16i / FS18i / FS21i / FS0i / FS15i
9D70	A (01) edition or later	FS30i / FS31i / FS32i
9D80	A (01) edition or later	FS16i / FS18i / FS21i / FS0i / FS15i FS30i / FS31i / FS32i

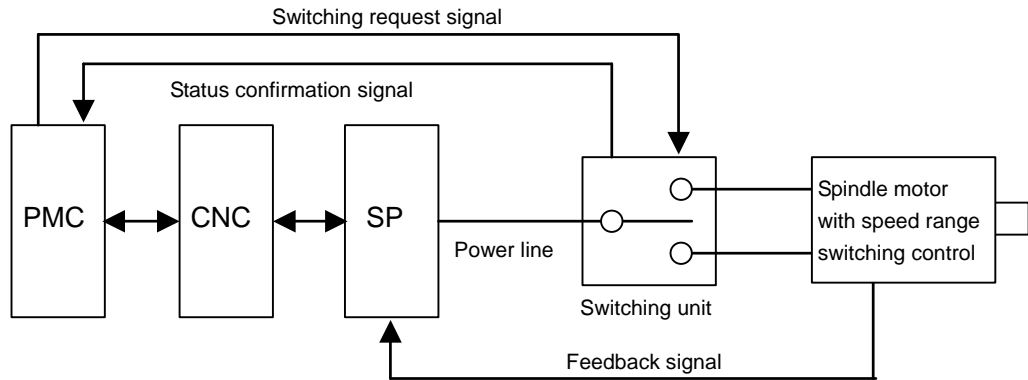
5.1.3 Configuration

Shown below is a machine configuration for using speed range switching control.

This function requires the following items in addition to a spindle amplifier (SP).

- Switching unit (a magnetic contactor and a relay for driving it are included)
- Signals between the PMC and switching unit

Refer to “FANUC SERVO AMPLIFIER α i series Descriptions” (B-65282EN) for the specification of the switching unit and detailed descriptions about their connection.



5.1.4 I/O Signals (CNC↔PMC)

(1) Address list of input signals (PMC→CNC)

	15i	16i	30i	#7	#6	#5	#4	#3	#2	#1	#0
1st-	G227	G070	G070					CTH1A	CTH2A		
2nd-	G235	G074	G074					CTH1B	CTH2B		
1st-	G226	G071	G071	RCHA	RSLA						
2nd-	G234	G075	G075	RCHB	RSLB						
1st-	G229	G072	G072	RCHHGA							
2nd-	G237	G076	G076	RCHHGB							

(2) Details of input signals (PMC→CNC)

(a) Speed range switching request signal (RSLA)

- (1) The RSLA signal is used as a command signal for selecting an output characteristic.
 - 0: The high-speed characteristic is selected.
 - 1: The low-speed characteristic is selected.
- (2) Method of specifying the RSLA signal according to the speed command (S command)

Input the RSLA signal in such a way that, if the specified speed is lower than or equal to the switching speed, the low-speed characteristic is selected and, if the specified speed is higher than or equal to the switching speed, the high-speed characteristic is selected. When this signal changes from 0 to 1 in a rotation speed range that is higher than or equal to the switching speed, the low-speed characteristic is selected immediately. To avoid this symptom, set, to 1, a parameter (bit 4 of parameter No. 4019) for selecting the low-speed characteristic after the speed detection signal (SDTA) has changed to 1. This method requires that the detection level of the SDTA signal be set to the switching speed.
- (3) Method of using the speed-detected signal (SDTA)

Input the speed range switching request signal according to the output of the SDTA signal. This method requires that the detection level of the SDTA signal be set to the switching speed. Note that the SDTA signal changes in the following cases:

- If the motor speed crosses the speed detection level during constant surface speed control
When the motor is used with the low-speed characteristic, clamping the maximum rotation speed of the spindle under constant surface speed control to the switching speed (using the G50 and G92 commands) prevents speed range switching.
 - If the motor speed crosses the speed detection level when the speed is changed under spindle override
 - If the motor speed crosses the speed detection level during cutting
- (4) Because the motor is switched off during speed range switching, select an output characteristic, whichever is necessary, before entering any of the following control modes. Do not change the speed range switching request signal during operation.
- Rigid tapping
 - Cs contouring control
 - Spindle synchronous control
 - Spindle positioning
 - Spindle orientation (lower than or equal to the orientation speed)

(b) Low-speed characteristic magnetic contactor status signal (RCHA)

- (1) Input an open/closed status signal for the magnetic contactor (MCC) used for the low-speed characteristic of the spindle motor.
- 0: The low-speed characteristic magnetic contactor is open (off).
- 1: The low-speed characteristic magnetic contactor is closed (on).
- (2) Usually, specify the status of the auxiliary contact (contact A) of the low-speed characteristic magnetic contactor without modifying it.
- (3) If bit 3 of parameter No. 4014 = 0, the RCHA signal is used as a confirmation signal for the status of the power line. So, specify the selected status of the magnetic contactor for switching the output characteristic of the spindle motor.
- 0: The high-speed characteristic is selected.
- 1: The low-speed characteristic is selected.
- To switch from low-speed characteristic to high-speed characteristic, after making sure that the low-speed characteristic magnetic contactor is switched off and the high-speed characteristic magnetic contactor is switched on, change this signal from 1 to 0. Similarly, to switch from high-speed characteristic to low-speed characteristic, after making sure that the high-speed characteristic magnetic contactor is switched off

and the low-speed characteristic magnetic contactor is switched on, change this signal from 0 to 1.

(c) High-speed characteristic magnetic contactor status signal (RCHHGA)

- (1) Input an open/closed status signal for the magnetic contactor (MCC) used for the high-speed characteristic of the spindle motor.
 - 0: The high-speed characteristic magnetic contactor is open (off).
 - 1: The high-speed characteristic magnetic contactor is closed (on).
- (2) Usually, specify the status of the auxiliary contact (contact A) of the high-speed characteristic magnetic contactor without modifying it.
- (3) The RCHHGA signal is valid if bit 3 of parameter No. 4014 = 1.

(3) Address list of output signals (CNC→PMC)

	15i	16i	30i	#7	#6	#5	#4	#3	#2	#1	#0
1st-	F229	F045	F045						SDTA		
2nd-	F245	F049	F049						SDTB		
1st-	F228	F046	F046					RCFNA	RCHPA		
2nd-	F244	F050	F050					RCFNB	RCHPB		

(4) Details of output signals (CNC→PMC)

(a) Power line switching signal (RCHPA)

- (1) The RCHPA signal is a command signal for selecting a magnetic contactor used to switch the output characteristic of the spindle motor.
 - 0: The high-speed characteristic magnetic contactor is selected.
 - 1: The low-speed characteristic magnetic contactor is selected.
- (2) The RCHPA signal is output in response to an incoming speed range switching request signal (RSLA). Switch the magnetic contactor according to the RCHPA signal.
- (3) When the speed range is switched from low speed to high speed, the RCHPA signal changes from 1 to 0 in response to an incoming speed range switching request signal (RSLA). When the speed range switching request signal is received, the motor power is automatically switched off. So, first switch off the low-speed magnetic contactor. After making sure that the low-speed magnetic contactor has been switched off, switch on the high-speed magnetic contactor.
- (4) When the speed range is switched from high speed to low speed, the RCHPA signal changes from 0 to 1 in response to an incoming speed range switching request signal (RSLA). When the speed range switching request signal is received, the motor power is automatically switched off. So, first switch off the high-speed magnetic contactor. After making sure that the

high-speed magnetic contactor has been switched off, switch on the low-speed magnetic contactor.

(b) Power line switching completion signal (RCFNA)

- (1) After spindle motor speed range switching is completed, indicate which speed range is selected.
0: The spindle is running with the high-speed characteristic.
1: The spindle is running with the low-speed characteristic.
- (2) After making sure that the speed range switching request signal (RSLA) has changed and the RCFNA signal matches the RSLA, go to the next operation.

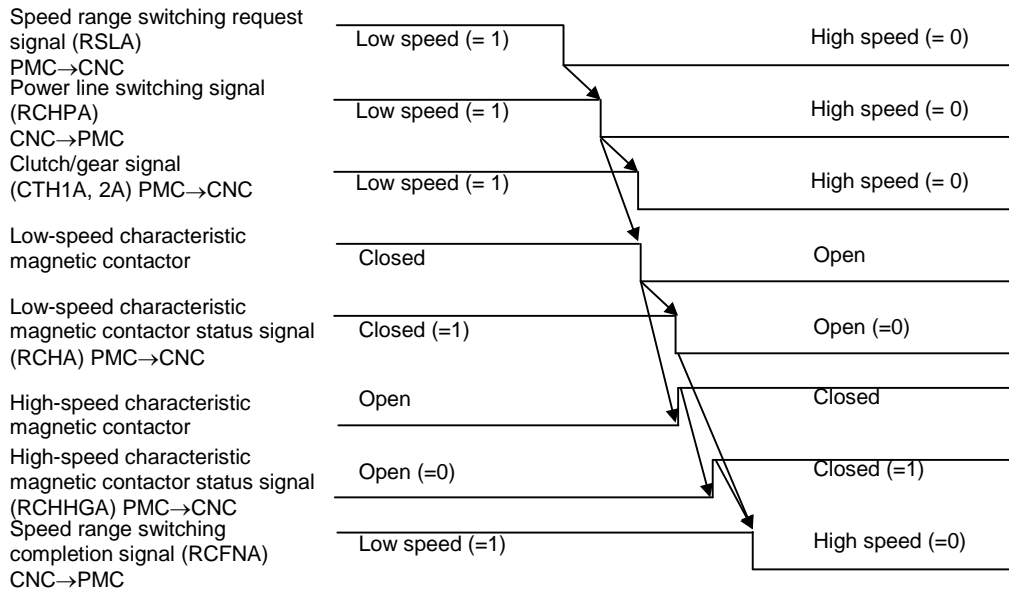
(c) Speed detection signal (SDTA)

- (1) Output a signal for indicating whether the motor speed is not lower than or not higher than the speed level specified in parameter No. 4023.
0: The motor is rotating at or faster than the specified speed level.
1: The motor is rotating at or lower than the specified speed level.
- (2) The SDTA signal can be used to detect the speed for speed range switching by setting the speed detection level to the switching speed.
- (3) Be careful when using the SDTA signal for speed range switching, because the signal may change because of speed fluctuations when the machine runs at or near the switching speed.
- (4) The SDTA signal has hysteresis. The hysteresis width is initially set to 20 min^{-1} . The setting can be changed, using parameter No. 4160. See Subsection 5.1.7, "Details of Related Parameters", for the setting.

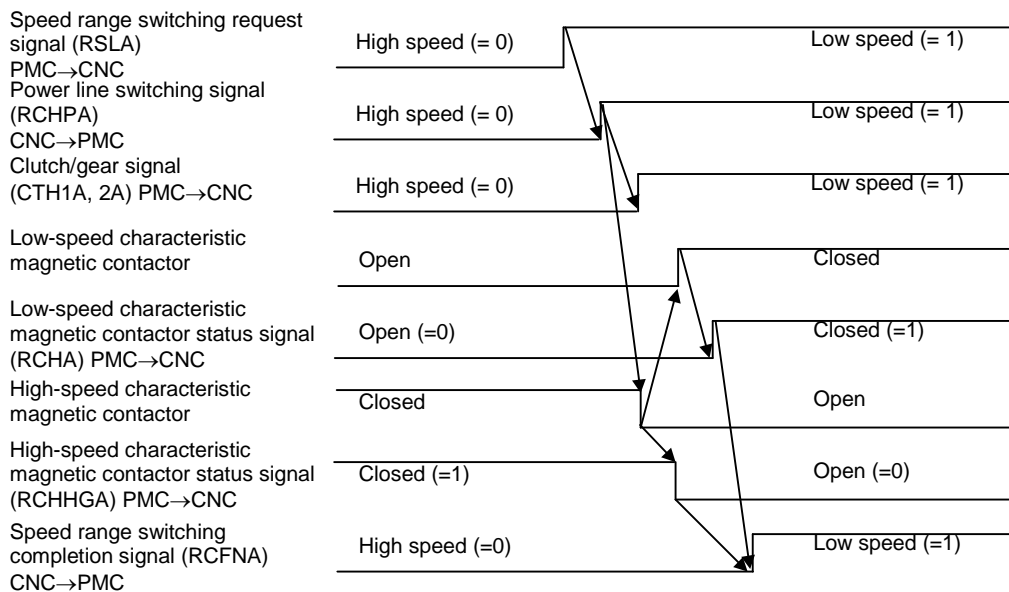
5.1.5 Sequence

(1) Performing speed range switching by checking the status of both contacts of the low-speed characteristic magnetic contactor status signal (RCHA) and high-speed characteristic magnetic contactor status signal (RCHHGA) (bit 3 of parameter No. 4014 = 1)

(a) Switching from low-speed characteristic to high-speed characteristic

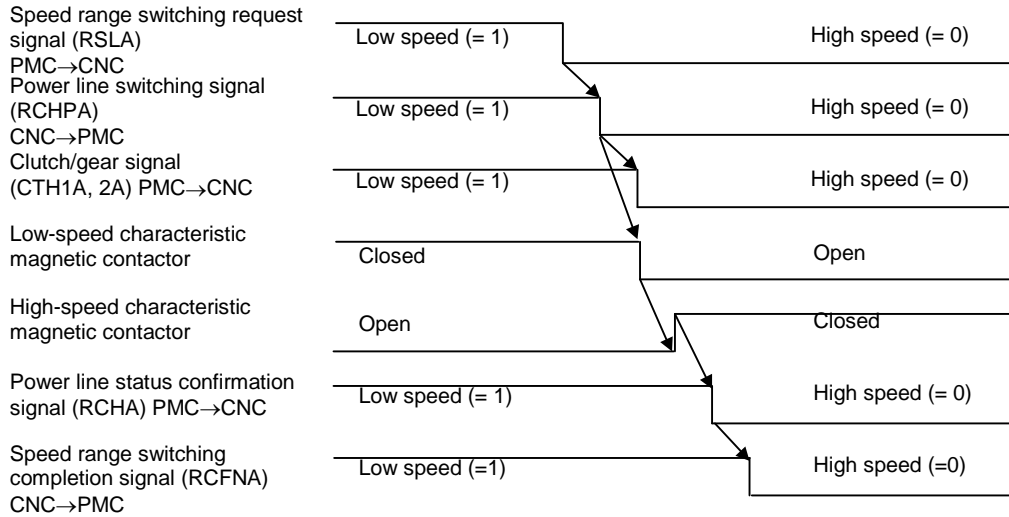


(b) Switching from high-speed characteristic to low-speed characteristic

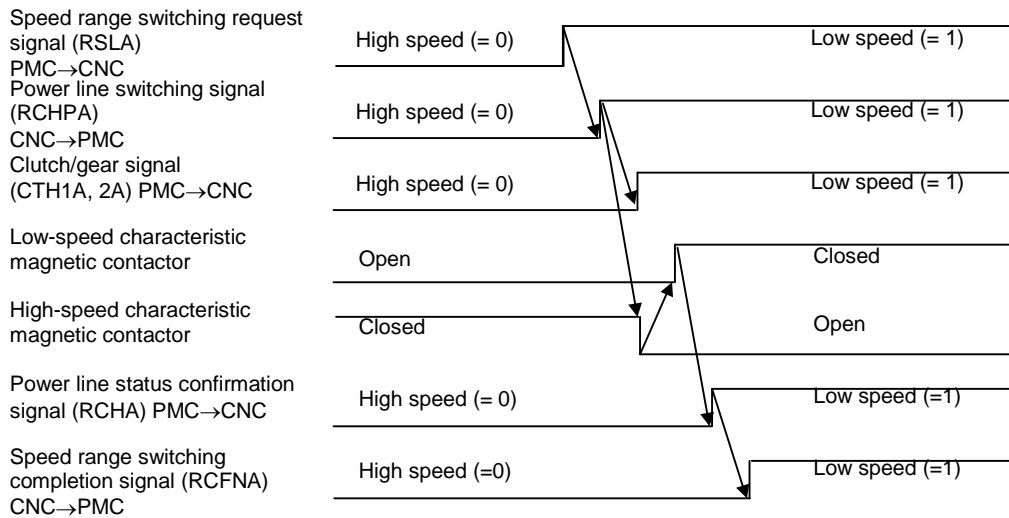


(2)Performing speed range switching by checking only the power line status confirmation signal (RCHA) (bit 3 of parameter No. 4014 = 0)

(a) Switching from low-speed characteristic to high-speed characteristic



(b) Switching from high-speed characteristic to low-speed characteristic



NOTE

- 1 A parameter can specify that switching from high-speed output characteristic to low-speed output characteristic be not performed at a speed higher than or equal to the switching speed (speed detection signal SDTA = 0) even if a switching request is issued.
- 2 Switch the clutch/gear signals (CTH1A and CTH2A) in such a way that the velocity loop gain can be specified for low- and high-speed characteristics separately.
- 3 Spindle alarm 15 is issued unless the magnetic contactor status signal is input within one second after the power line switching signal is output. So, input the magnetic contactor status signal within one second after the power line switching signal is output.
- 4 If you want to check the selection status of magnetic contactors MCC1 and MCC2 only with the auxiliary contact of magnetic contactor MCC1, allow a delay time of at least 50 ms between the instant when switching between MCC1 and MCC2 is performed with the power line switching signal (RCHPA) and the instant when the power line status confirmation signal (RCHA) changes, because a delay occurs in the operation of the magnetic contactors.

5.1.6 List of Related Parameters

Parameter No.			Description
15i	16i	30i	
3015 #2	4015 #2	4015 #2	Whether the speed range switching control function is available (to be set to "1") (The CNC software option is required.)
3014 #3	4014 #3	4014 #3	Function of checking the both magnetic contactor contacts for high-/low-speed characteristics in speed range switching
3019 #4	4019 #4	4019 #4	Function of checking the speed detection signal when switching is performed from high-speed characteristic to low-speed characteristic
3023	4023	4023	Speed detecting level
3160	4160	4160	Speed detection level hysteresis

5.1.7 Details of Related Parameters

15i	16i	30i	#7	#6	#5	#4	#3	#2	#1	#0
3015	4015	4015						SPDSW		

SPDSW Presence of speed range switching function (To use this function, the CNC software option is required.)
 0 : Without speed range switching function
 1 : With speed range switching function (To be set to “1”)

15i	16i	30i	#7	#6	#5	#4	#3	#2	#1	#0
3014	4014	4014					CHGSLT			

CHGSLT Function of checking the both magnetic contactor contacts for high-/low-speed characteristics in speed range switching
 0: A check is made, using the power line status confirmation signal (RCH).
 1: The contacts of both high- and low-speed characteristic magnetic contactors are checked.

15i	16i	30i	#7	#6	#5	#4	#3	#2	#1	#0
3019	4019	4019				SDTCHG				

SDTCHG Specifies whether to switch from high-speed range to low-speed range, upon the speed detection signal (SDT) being set to “1”, when speed range switching is used.
 0 : Switches from the high-speed to low-speed range regardless of the speed detection signal (SDT).
 1 : Switches from the high-speed to low-speed range after the SDT signal has changed to “1”.
 If this data is “0”, switching from high-speed characteristic to low-speed characteristic occurs no matter what the status of the speed detection signal (SDT) is.
 If this data is “1”, switching from high-speed characteristic to low-speed characteristic does not occur when the speed detected signal (SDT) is “0”. The switching occurs only after the SDT signal has changed to “1”.
 To make switching to low-speed characteristic occur securely at or near the switching speed, set the speed detection level (parameter No. 4023) to a level slightly higher than the switching speed level.

15i	16i	30i	Speed detecting level
3023	4023	4023	

Unit of data : 0.1%
 Valid data range : 0 to 1000
 Standard setting value : 0
 This data is used to set the detecting level of speed detecting signal (SDT).
 When the motor speed reaches (setting data/10) % or less of maximum speed, the speed arrival signal (SDT) is set to “1”.

15i	16i	30i
3160	4160	4160

Speed detection level hysteresis

Unit of data : 1min^{-1} (When parameter No. 4006 #2 (SPDUNT)=1, 10min^{-1})
 Valid data range : 0 to 32767
 Standard setting value : 0

Specify the hysteresis of the detection level of the speed detection signal (SDT).

The speed detection signal (SDT) changes from 1 to 0 with the set speed detection level + hysteresis motor speed, and changes from 0 to 1 with the set speed detection level motor speed. If this data is set to 20min^{-1} or less, the hysteresis is automatically set to 20min^{-1} .

If the speed detection signal (SDT) is used in speed range switching control, increase the data setting in situations where the switching circuit is likely to cause chattering close to the motor speed for the speed detection level.

Set the hysteresis width to a speed change measured during switching with a margin (about twice the measured speed change).

A rough estimate of the hysteresis width can be obtained from the following expression (on the assumption that the motor load torque at switching is 20% of the maximum output torque):

$$\text{Hysteresis width}[\text{min}^{-1}] = \frac{\text{Speed range switching time}}{\text{Acceleration time until the maximum rotation speed is reached}} \times \text{Maximum rotation speed} \times 0.2$$

5.1.8 Parameter-specified Switching between High- and Low-speed Characteristics

(1) Clutch/gear signals (CTH1A and CTH2A)

In speed range switching control, clutch/gear signals (CTH1A and CTH2A) are input to switch high- and low-speed velocity loop gain, position gain, and gear ratio data.

Usually, the clutch/gear signals are intended to select spindle parameters (velocity loop gain, position gain, and gear ratio) that correspond to the selected clutch/gears.

In speed range switching control, switching must be done in conjunction with winding selection.

CTH1A	CTH2A	Selection status of clutch/gears	Selection status of winding
0	0	HIGH GEAR (HIGH)	High-speed output characteristic winding
0	1	MEDIUM HIGH GEAR (HIGH)	-
1	0	MEDIUM LOW GEAR (LOW)	-
1	1	LOW GEAR (LOW)	Low-speed output characteristic winding

- (2) Relationships between the clutch/gear signals and spindle parameters
- (a) When the high-speed output characteristic winding is selected (CTH1A = 0 and CTH2A = 0)

15i	16i	30i	
3040	4040	4040	Velocity loop proportional gain on the velocity control mode (HIGH)
3042	4042	4042	Velocity loop proportional gain on orientation (HIGH)
3044	4044	4044	Velocity loop proportional gain on servo mode (HIGH)
3046	4046	4046	Velocity loop proportional gain on Cs contouring control (HIGH)
3048	4048	4048	Velocity loop integral gain on the velocity control mode (HIGH)
3050	4050	4050	Velocity loop integral gain on orientation (HIGH)
3052	4052	4052	Velocity loop integral gain on servo mode (HIGH)
3054	4054	4054	Velocity loop integral gain on Cs contouring control (HIGH)
3060	4060	4060	Position gain on orientation (HIGH)
3065	4065	4065	Position gain on servo mode (HIGH)
3069	4069	4069	Position gain on Cs contouring control (HIGH)

(b) When the low-speed output characteristic winding is selected
(CTH1A = 1 and CTH2A = 1)

15i	16i	30i	
3041	4041	4041	Velocity loop proportional gain on the velocity control mode (LOW)
3043	4043	4043	Velocity loop proportional gain on orientation (LOW)
3045	4045	4045	Velocity loop proportional gain on servo mode (LOW)
304	4047	4047	Velocity loop proportional gain on Cs contouring control (LOW)
3049	4049	4049	Velocity loop integral gain on the velocity control mode (LOW)
3051	4051	4051	Velocity loop integral gain on orientation (LOW)
3053	4053	4053	Velocity loop integral gain on servo mode (LOW)
3055	4055	4055	Velocity loop integral gain on Cs contouring control (LOW)
3063	4063	4063	Position gain on spindle orientation (LOW)
3068	4068	4068	Position gain on servo mode (LOW)
3072	4072	4072	Position gain on Cs contouring control (LOW)

(3) Cautions

Keep in mind that the clutch/gear signals (CTH1A and CTH2A) are used to select also parameters for rigid tapping, feed axis position gain under Cs contouring control, the number of teeth of arbitrary gears, time constants, and backlash in the Series 15i.

5.2 SPINDLE SWITCHING CONTROL

5.2.1 Overview

Spindle switching control is a function that drives two spindle motors with a single spindle amplifier, one at a time by switching them. The function is suitable for a machine in which two spindle motors are not driven simultaneously.

5.2.2 Series and Editions of Applicable Spindle Software

Spindle software

Series	Edition	Usable CNC
9D50	E (05) edition or later	FS16i / FS18i / FS21i / FS0i / FS15i
9D70	A (01) edition or later	FS30i / FS31i / FS32i
9D80	A (01) edition or later	FS16i / FS18i / FS21i / FS0i / FS15i FS30i / FS31i / FS32i

NOTE

When the α iCZ sensor (serial) is used, this function cannot be used.

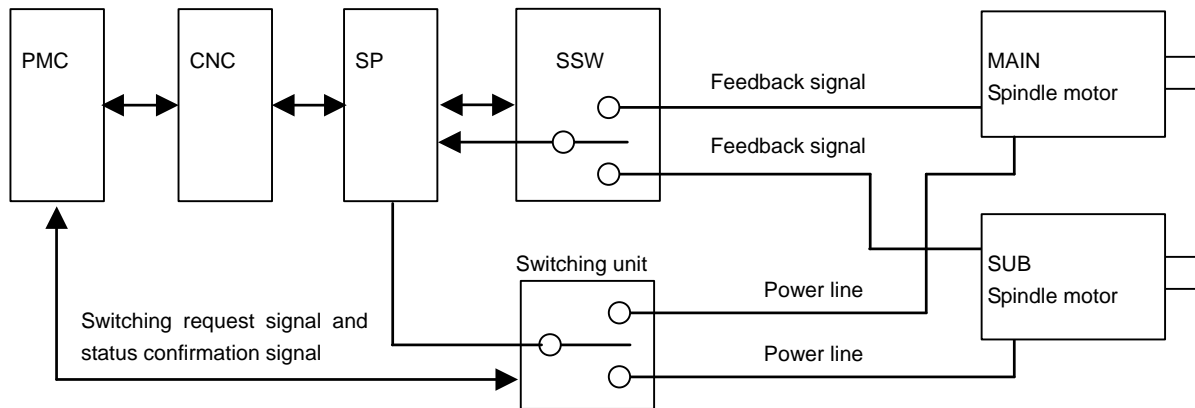
5.2.3 Configuration

Shown below is a machine configuration for using spindle switching control.

The following items are required for spindle switching control in addition to a spindle amplifier (SP) and two spindle motors:

- Sub module SW (SSW)
- Switching unit (a magnetic contactor and a relay for driving it are included)
- Signals between the PMC and switching unit

Refer to "FANUC SERVO AMPLIFIER α i series Descriptions" (B-65282EN) for the specification of the submodule SW (hereafter SSW), switching unit, and detailed descriptions about their connection.



5.2.4 Details of Specifications

- (1) The spindle amplifier and SSW are used to select one of two spindle motors and drive the selected spindle motor. They cannot be used to drive two spindle motors simultaneously or switch between a motor with a 200 V input and a motor with a 400 V input (HV). They cannot be used to drive αCi series spindle motors either.
- (2) Any spindle motors that can be driven with the spindle amplifier can be combined as a main spindle or sub-spindle. The capacity of the spindle amplifier used for two spindle motors must be large enough for the larger of the two. The required parameters may have to be re-set depending on the combination of the motors and amplifier.
- (3) The SSW switches the feedback signal according to the switching command from the spindle amplifier. The detectors that can be used are as follows:
Detectors incorporated in the motor (speed detectors): αiM sensor, αiMZ sensor, αiBZ sensor (for built-in motors), and αiCZ sensor (analog) (for built-in motors)
Detectors mounted on the spindle (position detectors): Position coder, αiBZ sensor (when SP TYPE B is used), αiCZ sensor (analog) (when SP TYPE B is used), and proximity switch
- (4) Speed range switch control can be used for both the main spindle and sub-spindle.
- (5) Rigid tapping can be used for both the main spindle and sub-spindle.
- (6) Position coder-based spindle orientation can be used for both the main spindle and sub-spindle as long as it uses a method of specifying a stop position with a parameter.
- (7) The status information about the magnetic contactors of both the main spindle and sub-spindle can be input so that the status of the power line can be checked securely. This function is enabled by setting the following parameters.
FS16*i*: Bit 2 of parameter No. 4014 = 1
FS30*i*: Bit 2 of parameter No. 4014 = 1
FS15*i*: Bit 2 of parameter No. 3014 = 1

- (8) A switching error is detected and spindle alarm 15 is issued unless the magnetic contactor status signal (MCFNA or MFNHGA) is not input within one second after the power line switching signal (CHPA) is output.

5.2.5 Restrictions

- (1) Stop position external setting type orientation can be used only for the main spindle.
- (2) Spindle synchronous control can be used only for the main spindle.
- (3) Spindle positioning can be used only for the main spindle.
- (4) Cs contouring control can be used only for the main spindle.
- (5) For the sub-spindle motor, up to two gear switching stages can be specified using a parameter.
- (6) The dual position feedback function can be used on the main side only.

5.2.6 I/O Signals (CNC↔PMC)

(1) Address list of input signals (PMC→CNC)

	15i	16i	30i	#7	#6	#5	#4	#3	#2	#1	#0
1st-	G226	G071	G071					MCFNA	SPSLA		
2nd-	G234	G075	G075					MCFNB	SPSLB		
1st-	G229	G072	G072		MFNHGA						
2nd-	G237	G076	G076		MFNHGB						

(2) Details of input signals (PMC→CNC)

(a) Spindle switching request signal (SPSLA)

- (1) The SPSLA signal is used as a command signal to select a spindle motor.
 - 0: The main spindle motor is selected.
 - 1: The sub-spindle motor is selected.
- (2) After stopping the spindle motors, change the SPSLA signal. The zero-speed signal (SSTA) can be used as an output signal to check that the spindle motors are at a halt.
- (3) Reset the rotation commands (SFRA and SRVA) and spindle orientation command (ORCMA) to 0, because switching requires that the motor power be off.

(b) Sub-spindle motor magnetic contactor status signal (MCFNA)

- (1) Input the open/closed status of the sub-spindle motor magnetic contactor (MCC).
 - 0: The sub-spindle motor magnetic contactor is open (off).
 - 1: The sub-spindle motor magnetic contactor is closed (on).

- (2) Usually, specify the status of the auxiliary contact (contact A) of the sub-spindle motor magnetic contactor without modifying it.
- (3) If bit 2 of parameter No. 4014 = 0, the MCFNA signal is used as a confirmation signal for the status of the power line. So, specify the selection status of the magnetic contactor for switching the power line of the spindle motor.

0: The main spindle motor is selected.

1: The sub-spindle motor is selected.

To switch from the sub-motor to the main motor, after making sure that the sub-motor magnetic contactor is switched off and the main motor magnetic contactor is switched on, change this signal from 1 to 0. Similarly, to switch from the main motor to the sub-motor, after making sure that the main motor magnetic contactor is switched off and the sub-motor magnetic contactor is switched on, change this signal from 0 to 1.

(c) Main spindle motor magnetic contactor status signal (MFNHGA)

- (1) Input the open/closed status of the main spindle motor magnetic contactor (MCC).
 - 0: The main spindle motor magnetic contactor is open (off).
 - 1: The main spindle motor magnetic contactor is closed (on).
- (2) Usually, specify the status of the auxiliary contact (contact A) of the main spindle motor magnetic contactor without modifying it.
- (3) The MFNHGA signal is valid if bit 2 of parameter No. 4014 = 1.

(3) Address list of output signals (CNC→PMC)

	15i	16i	30i	#7	#6	#5	#4	#3	#2	#1	#0
1st-	F229	F045	F045							SSTA	
2nd-	F245	F049	F049							SSTB	
1st-	F228	F046	F046							CFINA	CHPA
2nd-	F244	F050	F050							CFINB	CHPB

(4) Details of output signals (CNC→PMC)

(a) Power line switching signal (CHPA)

- (1) The CHPA signal is a command signal for selecting a magnetic contactor used to switch the power line of the spindle motor.
 - 0: The main spindle motor magnetic contactor is selected.
 - 1: The sub-spindle motor magnetic contactor is selected.
- (2) When the spindle switching request signal (SPSLA) is input, a check is made to see if the motors are at a stop and their power is off. Once it has been confirmed that the motors are at a stop and their power is off, the CHPA signal is output. Switch the magnetic contactor according to the CHPA signal.
- (3) When switching from the sub-motor to the main motor occurs, the CHPA signal changes from 1 to 0 in response to an incoming spindle switching request signal (SPSLA) provided that the sub-motor is at a stop and its power is off. After this signal change has occurred, first switch off the sub-motor magnetic contactor. After making sure that the sub-motor magnetic

contactor has been switched off, switch on the main motor magnetic contactor.

- (4) When switching from the main motor to the sub-motor occurs, the CHPA signal changes from 0 to 1 in response to an incoming spindle switching request signal (SPSLA) provided that the main motor is at a stop and its power is off. After this signal change has occurred, first switch off the main motor magnetic contactor. After making sure that the main motor magnetic contactor has been switched off, switch on the sub-motor magnetic contactor.

(b) Spindle switching completion signal (CFINA)

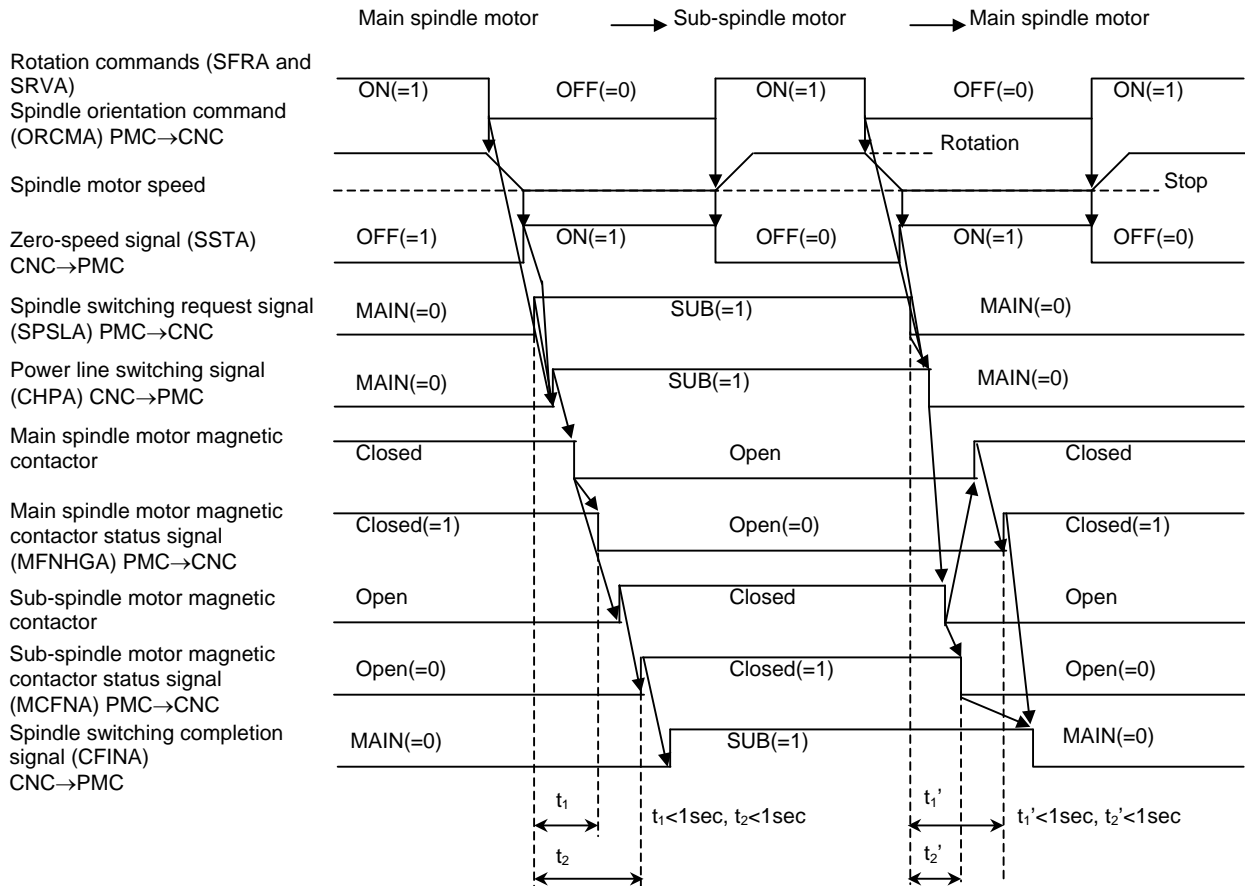
- (1) After spindle switching is completed, it is indicated which spindle motor is currently under control.
0: The main spindle motor is currently under control.
1: The sub-spindle motor is currently under control.
- (2) After making sure that the spindle switching request signal (SPSLA) has changed and the CFINA signal matches the SPSLA, go to the next operation.
- (3) Keep the rotation commands (SFRA and SRVA) and spindle orientation command (ORCMA) turned off during switching, because switching requires that the motor power be off.

(c) Zero-speed signal (SSTA)

- (1) It is indicated whether the spindle motor speed is not lower or not higher than the zero-speed detection level (parameter-specified speed level).
0: The motor is rotating at or faster than the speed detection level.
1: The motor is rotating at or slower than the speed detection level.
- (2) The motor must be at a halt during spindle switching. Use the SSTA signal to check that that the motor is at a halt.

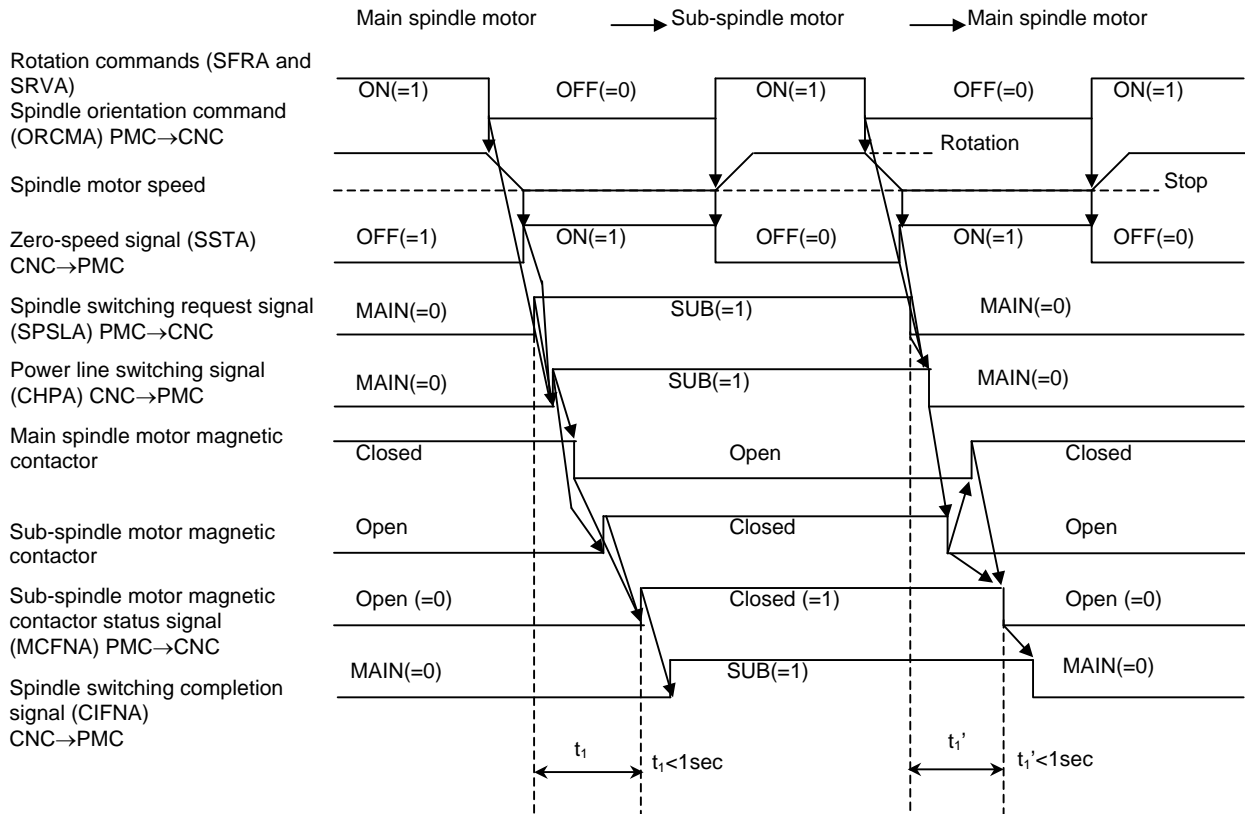
5.2.7 Sequence

(1) Performing spindle switching by checking the status of both contacts of the sub-spindle motor magnetic contactor status signal (MCFNA) and main spindle motor magnetic contactor status signal (MFNHGA) (bit 2 of parameter No. 4014 = 1)



NOTE
 Spindle alarm 15 is issued unless the main spindle motor status signal (MFNHGA) and sub-spindle motor status signal (MCFNA) change within one second after the switching request signal (SPSLA) signal has changed.

(2)Performing spindle switching by checking only with the power line status signal (MCFNA) (bit 2 of parameter No. 4014 = 0)



NOTE

- 1 When checking the selection status of magnetic contactors MCC1 and MCC2 only with the auxiliary contact of magnetic contactor MCC1, allow a delay time of at least 50 ms between the instant when switching between MCC1 and MCC2 is performed with the power line switching signal (CHPA) and the instant when the power line status confirmation signal (MCFN) changes, because a delay occurs in the operation of the magnetic contactors.
- 2 Spindle alarm 15 is issued unless the power line magnetic contactor status signal (MCFNA) changes within one second after the switching request signal (SPSLA) has changed.

5.2.8 List of Related Parameters

Parameter No.			Description
15 <i>i</i>	16 <i>i</i>	30 <i>i</i>	
5607#0	4019#7	4019#7	Parameter automatic setting function (MAIN)
3133	4133	4133	Motor model code (MAIN)
5607#0	4195#7	4195#7	Parameter automatic setting function (SUB)
3309	4309	4309	Motor model code (SUB)
3014#0	4014#0	4014#0	Whether the spindle switching function is available (to be set to "1")
3014#2	4014#2	4014#2	Function of checking the both magnetic contactor contacts for main spindle and sub-spindle motors in spindle switching
3013 #6 to #2	4013 #6 to #2	4013 #6 to #2	Current dead-band data (MAIN)
3024	4024	4024	Speed zero detecting level (MAIN)
3110	4110	4110	Current conversion constant (MAIN/high-speed characteristic)
3146	4146	4146	Current conversion constant (MAIN/low-speed characteristic)
3189 #6 to #2	4189 #6 to #2	4189 #6 to #2	Current dead-band data (SUB)
3199	4199	4199	Zero-speed detection level (SUB)
3264	4264	4264	Current conversion constant (SUB/high-speed characteristic)
3294	4294	4294	Current conversion constant (SUB/low-speed characteristic)

NOTE

In the FS15*i*, the parameter automatic setting function is common to the main and sub-spindle motors.

5.2.9 Details of Related Parameters

15 <i>i</i>	16 <i>i</i>	30 <i>i</i>	#7	#6	#5	#4	#3	#2	#1	#0
3014	4014	4014						AXSLCT		AXISL

AXISL Whether the spindle switching control function is available
 0: No spindle switching function is available.
 1: The spindle switching function is available (to be set to "1").

AXSLCT Function of checking the contents of both the main spindle and sub-spindle motor magnetic contactor contacts in spindle switching
 0: The check is based on the power line status signal (MCFN)
 1: The check is made on the contacts (MCFN and MFNHG) of both the main and sub-spindle motor magnetic contactors.

	15i	16i	30i	#7	#6	#5	#4	#3	#2	#1	#0
MAIN:	3013	4013	4013		DS5	DS4	DS3	DS2	DS1		
SUB:	3189	4189	4189		DS5	DS4	DS3	DS2	DS1		

DS5 to DS1 Current dead-band data

This parameter is determined according to the spindle amplifier model to be used.

In spindle switching control, the amplifier model to be used may differ from the amplifier that supports the motor. In this case, change the parameter setting according to the amplifier to be used, while referencing the following table.

Amplifier model		Parameter setting				
200V-input	400V-input	DS5	DS4	DS3	DS2	DS1
α iSP2.2 to 15	α iSP5.5HV to 15HV	0	0	0	1	1
α iSP22 to 37	α iSP30HV to 45HV	1	0	1	0	0
α iSP45 to 55	α iSP75HV to 100HV	0	0	1	1	0

NOTE
 Be careful when no correct data is specified, because it is likely that switching elements in the power circuit may break down.

	15i	16i	30i
	3024	4024	4024
	3199	4199	4199

Speed zero detecting level (MAIN side)
Speed zero detecting level (SUB side)

Unit of data : 0.01%
 Valid data range : 0 to 10000
 Standard setting value : 75

This data is used to set the detecting level of speed zero detection signal (SSTA).

When the motor speed reaches (setting data/100)% or less of maximum speed, the speed zero detection signal (SSTA) is set to "1".

15i	16i	30i
3110	4110	4110
3146	4146	4146
3264	4264	4264
3294	4294	4294

Current conversion constant (MAIN side, high-speed characteristic)
Current conversion constant (MAIN side, low-speed characteristic)
Current conversion constant (SUB side, high-speed characteristic)
Current conversion constant (SUB side, low-speed characteristic)

Unit of data :

Valid data range : 0 to 32767

Standard setting value : This parameter is intended to specify a current detection weight that varies depending on the motor model to be used.

If a motor and a spindle amplifier are in a combination that is not originally intended, it is necessary to change the setting according to the spindle amplifier to be used. Use the following conversion formula to determine a value to be specified in the parameter.

$$ICONV2 = ICONV1 \times \frac{G1}{G2}$$

ICONV1 : Current conversion constant before change

ICONV2 : Current conversion constant after change

G1 : Current detection gain for the spindle amplifier initially intended for the motor

G2 : Current detection gain for the spindle amplifier to be used in spindle switching

The current detection gains (G1 and G2) vary from one amplifier model to another. The following table lists the current detection gains that correspond to each amplifier model.

Amplifier model		Current detection gain (G1,G2)
200V-input	400V-input	
αi SP2.2, 5.5	αi SP5.5HV, 11HV	60
αi SP11	αi SP15HV	30
αi SP15	αi SP30HV	20
αi SP22	αi SP45HV	15
αi SP26		10
αi SP30, 37	αi SP75HV	7.5
αi SP45	αi SP100HV	6.67
αi SP55		4.29

NOTE

If no correct data is specified, the motor fails to deliver the rated power, and it is likely that switching elements in the power circuit may break down.

5.2.10 Parameter Setting Procedure

(1) Motor-specific parameter setting

<1> Motor model code setting

Specify the model code of a motor to be subjected to automatic setting. If the motor has no model code, specify “300” (for a motor with no speed range switching function) or “400” (for a motor with a speed range switching function).

CNC	Parameter No.		Setting value
	MAIN side	SUB side	
15i	No.3133	No.3309	Model code
16i	No.4133	No.4309	
30i	No.4133	No.4309	

<2> Parameter automatic setting

After the following parameters are specified, switch the CNC power off and on again. The spindle parameter specified with a model code is automatically set up. Once automatic setting is completed, the following parameters are re-set to their previous values.

CNC	Parameter No.		Setting value
	MAIN side	SUB side	
15i	No.5607#0		0
16i	No.4019#7	No.4195#7	1
30i	No.4019#7	No.4195#7	1

NOTE

In the FS15i, a parameter for the parameter automatic setting function is common to the main and sub-spindle motors. Keep in mind that parameter automatic setting occurs for the main and sub-spindle motors simultaneously.

<3> Motor-specific parameter setting (for motors with no model code)

If the motor has no model code, once automatic setting is completed, specify motor-specific parameters by entering values manually according to the parameter tables for individual motor models.

NOTE

Set the parameters for the sub-spindle according to the list of the motor-specific parameter numbers in Subsection 5.2.11, “Supplementary Descriptions about Parameters,” in Part I.

- (2) Parameter re-setting for spindle switching
If the motor and spindle amplifier are not in a standard combination, change the current dead-band data and current conversion constant as described in the previous item.
- (3) Parameter setting related to detectors
Specify parameters related to detectors according to the system configuration of the spindle.
See Section 1.3 for explanations about how to specify parameters related to detectors.

5.2.11 Supplementary Descriptions about Parameters

- (1) The spindle amplifier drives the motor using the relevant parameters according to the selected spindle (main spindle or sub-spindle for spindle switching).
For the parameter numbers for the main spindle and sub-spindle, see Appendix B, "LIST OF SPINDLE PARAMETER NUMBERS."
- (2) The following table lists the motor-specific parameter numbers for the main spindle and those for the sub-spindle.
Set a motor-specific parameter for the sub-spindle according to the table below.

Parameter No.						Description
15i		16i		30i		
MAIN	SUB	MAIN	SUB	MAIN	SUB	
3007	3183	4007	4183	4007	4183	Bit type parameter
3008	3184	4008	4184	4008	4184	Bit type parameter
3009	3185	4009	4185	4009	4185	Bit type parameter
3010	3186	4010	4186	4010	4186	Bit type parameter
3011	3187	4011	4187	4011	4187	Bit type parameter
3012	3188	4012	4188	4012	4188	Bit type parameter
3013	3189	4013	4189	4013	4189	Bit type parameter
3019	3195	4019	4195	4019	4195	Bit type parameter
3020	3196	4020	4196	4020	4196	Maximum motor speed
3023	3198	4023	4198	4023	4198	Speed detection level
3039	3254	4039	4254	4039	4254	Slip compensation gain [for high-speed characteristics of speed range switching]
3080	3231	4080	4231	4080	4231	Regenerative power limit for high-speed zone/regenerative power limit [for high-speed characteristics of speed range switching]
3083	3236	4083	4236	4083	4236	Motor voltage on velocity control mode [for high-speed characteristics of speed range switching]
3093	3279	4093	4279	4093	4279	Value displayed on load meter at maximum output [for low-speed characteristics of speed range switching]
3100	3256	4100	4256	4100	4256	Base speed of motor output specifications [for high-speed characteristics of speed range switching]
3101	3257	4101	4257	4101	4257	Output limit for motor output specifications [for high-speed characteristics of speed range switching]
3102	3258	4102	4258	4102	4258	Excitation voltage saturation speed at no-load [for high-speed characteristics of speed range switching]
3103	3259	4103	4259	4103	4259	Base speed limit ratio [for high-speed characteristics of speed range switching]

Parameter No.						Description
15i		16i		30i		
MAIN	SUB	MAIN	SUB	MAIN	SUB	
3104	3260	4104	4260	4104	4260	Current loop proportional gain [for high-speed characteristics of speed range switching]
3106	3261	4106	4261	4106	4261	Current loop integral gain[for high-speed characteristics of speed range switching]
3108	3262	4108	4262	4108	4262	Velocity at which the current loop integral gain is zero [for high-speed characteristics of speed range switching]
3109	3263	4109	4263	4109	4263	Filter time constant for processing saturation related to the voltage command [for high-speed characteristics of speed range switching]
3110	3264	4110	4264	4110	4264	Current conversion constant [for high-speed characteristics of speed range switching]
3111	3265	4111	4265	4111	4265	Secondary current coefficient [for high-speed characteristics of speed range switching]
3112	3266	4112	4266	4112	4266	Criterion level for saturation related to the voltage command/PWM command clamp value [for high-speed characteristics of speed range switching]
3113	3267	4113	4267	4113	4267	Slip constant [for high-speed characteristics of speed range switching]
3114	3268	4114	4268	4114	4268	Slip compensation coefficient for a high-speed zone/slip compensation coefficient at deceleration [for high-speed characteristics of speed range switching]
3115	3269	4115	4269	4115	4269	PWM command clamp value at deceleration [for high-speed characteristics of speed range switching]
3116	3270	4116	4270	4116	4270	Motor leakage constant [for high-speed characteristics of speed range switching]
3117	3271	4117	4271	4117	4271	Regular-time voltage compensation coefficient for high-speed zone/regular-time motor voltage coefficient[for high-speed characteristics of speed range switching]
3118	3272	4118	4272	4118	4272	Acceleration-time voltage compensation coefficient for high-speed zone/acceleration-time motor voltage coefficient [for high-speed characteristics of speed range switching]
3119	3280	4119	4280	4119	4280	Deceleration-time excitation current change time constant/excitation current change time constant [for high-speed characteristics of speed range switching]
3127	3274	4127	4274	4127	4274	Value displayed on load meter at maximum output [for high-speed characteristics of speed range switching]
3128	3275	4128	4275	4128	4275	Compensation coefficient between the specification and true base/maximum torque curve compensation coefficient [for high-speed characteristics of speed range switching]
3129	3276	4129	4276	4129	4276	Secondary current coefficient for rigid tapping [for high-speed characteristics of speed range switching]
3130	3277	4130	4277	4130	4277	Current loop proportional gain speed coefficient/current phase delay compensation coefficient[for high-speed characteristics of speed range switching]
3134	3310	4134	4310	4134	4310	Motor overheat detect level
3136	3284	4136	4284	4136	4284	Motor voltage on velocity control mode [for low-speed characteristics of speed range switching]
3138	3286	4138	4286	4138	4286	Base speed of motor output specifications [for low-speed characteristics of speed range switching]
3139	3287	4139	4287	4139	4287	Output limit for motor output specifications [for low-speed characteristics of speed range switching]
3140	3288	4140	4288	4140	4288	Excitation voltage saturation speed at no-load [for low-speed characteristics of speed range switching]
3141	3289	4141	4289	4141	4289	Base speed limit ratio [for low-speed characteristics of speed range switching]
3142	3290	4142	4290	4142	4290	Current loop proportional gain [for low-speed characteristics of speed range switching]
3143	3291	4143	4291	4143	4291	Current loop integral gain[for low-speed characteristics of speed range switching]
3144	3292	4144	4292	4144	4292	Velocity at which the current loop integral gain is zero [for low-speed characteristics of speed range switching]

Parameter No.						Description
15i		16i		30i		
MAIN	SUB	MAIN	SUB	MAIN	SUB	
3145	3293	4145	4293	4145	4293	Filter time constant for processing saturation related to the voltage command [for low-speed characteristics of speed range switching]
3146	3294	4146	4294	4146	4294	Current conversion constant [for low-speed characteristics of speed range switching]
3147	3295	4147	4295	4147	4295	Secondary current coefficient [for low-speed characteristics of speed range switching]
3148	3296	4148	4296	4148	4296	Criterion level for saturation related to the voltage command/PWM command clamp value [for low-speed characteristics of speed range switching]
3149	3297	4149	4297	4149	4297	Slip constant [for low-speed characteristics of speed range switching]
3150	3298	4150	4298	4150	4298	Slip compensation coefficient for a high-speed zone/slip compensation coefficient at deceleration [for low-speed characteristics of speed range switching]
3151	3299	4151	4299	4151	4299	PWM command clamp value at deceleration [for low-speed characteristics of speed range switching]
3152	3300	4152	4300	4152	4300	Motor leakage constant [for low-speed characteristics of speed range switching]
3153	3301	4153	4301	4153	4301	Regular-time voltage compensation coefficient for high-speed zone/regular-time motor voltage coefficient [for low-speed characteristics of speed range switching]
3154	3302	4154	4302	4154	4302	Acceleration-time voltage compensation coefficient for high-speed zone/acceleration-time motor voltage coefficient [for low-speed characteristics of speed range switching]
3156	3255	4156	4255	4156	4255	Slip compensation gain [for low-speed characteristics of speed range switching]
3158	3304	4158	4304	4158	4304	Compensation coefficient between the specification and true base/maximum torque curve compensation coefficient [for low-speed characteristics of speed range switching]
3159	3305	4159	4305	4159	4305	Secondary current coefficient for rigid tapping [for low-speed characteristics of speed range switching]
3161	3306	4161	4306	4161	4306	Current loop proportional gain speed coefficient/current phase delay compensation coefficient [for low-speed characteristics of speed range switching]
3165	3308	4165	4308	4165	4308	Deceleration-time excitation current change time constant/excitation current change time constant [for low-speed characteristics of speed range switching]
3166	3307	4166	4307	4166	4307	Regenerative power limit for high-speed zone/regenerative power limit [for low-speed characteristics of speed range switching]
3169	3349	4169	4349	4169	4349	Temperature monitoring time constant

(3) The following parameters are common to the main and sub-spindle motors. They cannot be specified separately for these motors.

Parameter No.			Description
15i	16i	30i	
3027	4027	4027	Load detecting level 2
3030	4030	4030	Soft start/stop setting time
3087	4087	4087	Overspeed level
3088	4088	4088	Velocity error excess detecting level on motor shaft lock condition
3089	4089	4089	Velocity error excess detecting level on motor rotation
3090	4090	4090	Overload detecting level
3095	4095	4095	Adjustment of speedometer output voltage
3096	4096	4096	The adjustment of load meter output voltage
3098	4098	4098	Maximum speed of position feedback signal detection
3099	4099	4099	Delay time for motor excitation
3123	4123	4123	Setting the overload detection time

3260	4260	4260	Speed detection level hysteresis
3341	4341	4341	Unexpected disturbance torque detection level
3344	4344	4344	Advanced feed-forward coefficient
3346	4346	4346	Incomplete integration coefficient

- (4) For the sub-spindle motor, up to two gear switching stages can be specified. The input signal CTH1A is used to select one of the gear stages. (For the main spindle motor, up to four gear switching stages can be specified, using CTH1A and CTH2A.)

Parameter No.			Description	CTH1A
15i	16i	30i		
3216	4216	4216	Gear ratio(SUB side/HIGH)	0
3217	4217	4217	Gear ratio(SUB side /LOW)	1
3218	4218	4218	Position gain on orientation(SUB side/HIGH)	0
3219	4219	4219	Position gain on orientation(SUB side/LOW)	1
3221	4221	4221	Position gain on servo mode(SUB side/HIGH)	0
3222	4222	4222	Position gain on servo mode(SUB side/LOW)	1

- (5) For the sub-spindle motor, only one velocity integral gain stage can be specified. The CTH1A signal cannot be used for switching.

Parameter No.			Description
15i	16i	30i	
3212	4212	4212	Velocity loop integral gain on the velocity control mode (SUB side)
3213	4213	4213	Velocity loop integral gain on orientation (SUB side)
3214	4214	4214	Velocity loop integral gain on servo mode (SUB side)

5.3 INCRMENTAL COMMAND TYPE SPINDLE ORIENTATION (SPINDLE ROTATION SPEED CONTROL) (OPTIONAL FUNCTION)

5.3.1 Overview

Incremental command type spindle orientation is a function that expands the spindle orientation in which a stop position is specified externally using a position coder.

This function is intended to move the spindle from the position where it was when a spindle orientation command was input to a position specified incrementally. It positions the spindle as follows:

The spindle rotates from the position where it was when a spindle orientation command was input through an incremental angle specified from the PMC via the CNC. When the spindle orientation is completed, a completion signal is sent to the PMC via the CNC.

Using the function enables:

- (i) Spindle motor-based turret indexing
- (ii) Spindle rotation speed control if a command multiplier value (parameter-specified value) is set to “4096”

NOTE

- 1 Using this function requires the spindle orientation CNC software option.
- 2 The maximum spindle speed that can be specified is shown below:
9D50 series N edition or earlier, 9D70 series E edition or earlier:
120 rotations
9D50 series O edition or later, 9D70 series F edition or later, 9D80 series A edition or later:
30000 rotations

5.3.2 Series and Editions of Applicable Spindle Software

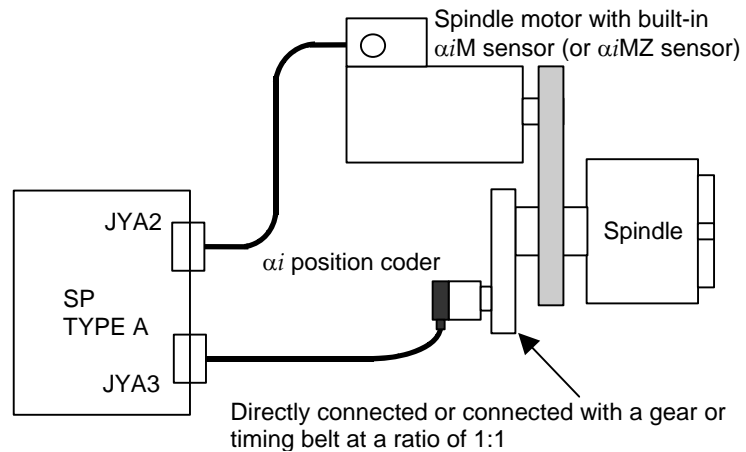
Spindle software

Series	Edition	Usable CNC
9D50	A (01) edition or later	FS16 <i>i</i> / FS18 <i>i</i> / FS21 <i>i</i> / FS0 <i>i</i> / FS15 <i>i</i>
9D70	A (01) edition or later	FS30 <i>i</i> / FS31 <i>i</i> / FS32 <i>i</i>
9D80	A (01) edition or later	FS16 <i>i</i> / FS18 <i>i</i> / FS21 <i>i</i> / FS0 <i>i</i> / FS15 <i>i</i> FS30 <i>i</i> / FS31 <i>i</i> / FS32 <i>i</i>

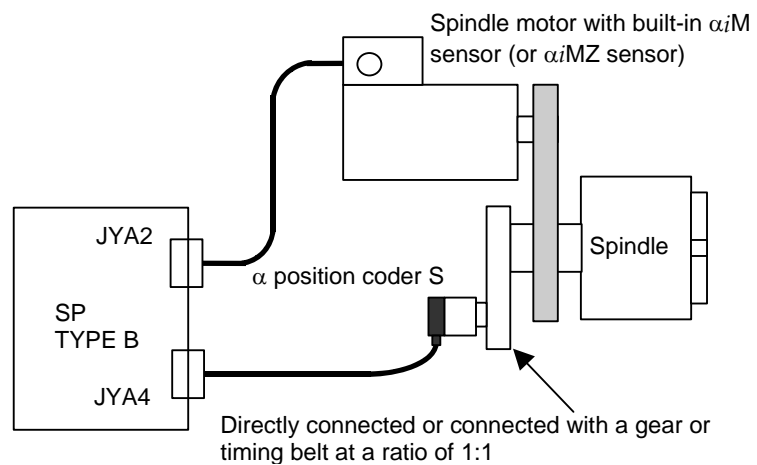
5.3.3 System Configuration

The incremental command type spindle orientation function can be used in the following system configuration.

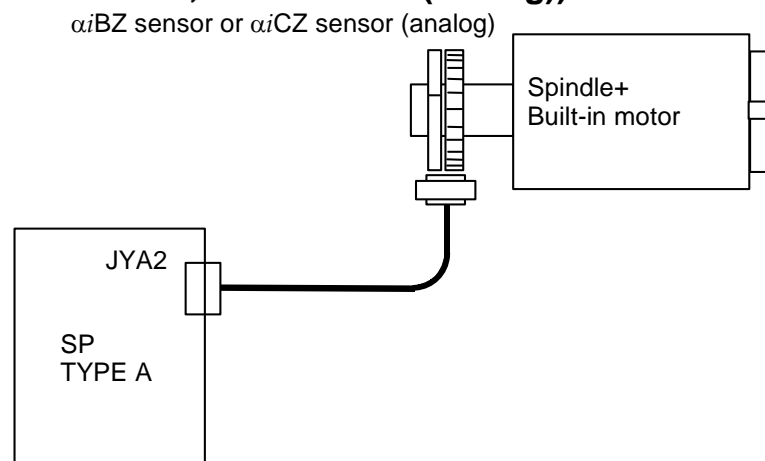
(1) When the αi position coder is used



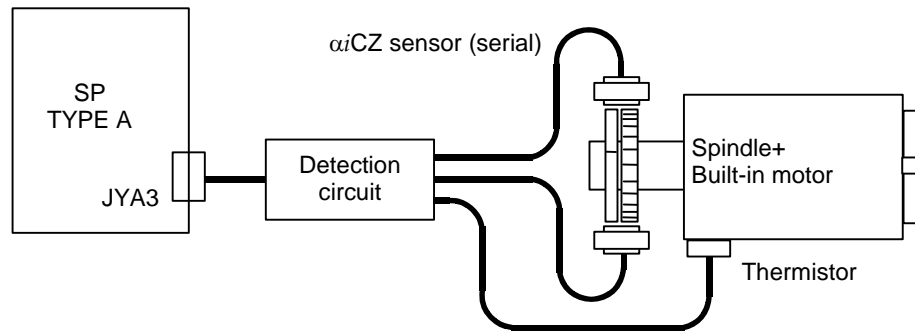
(2) When the αi position coder S is used



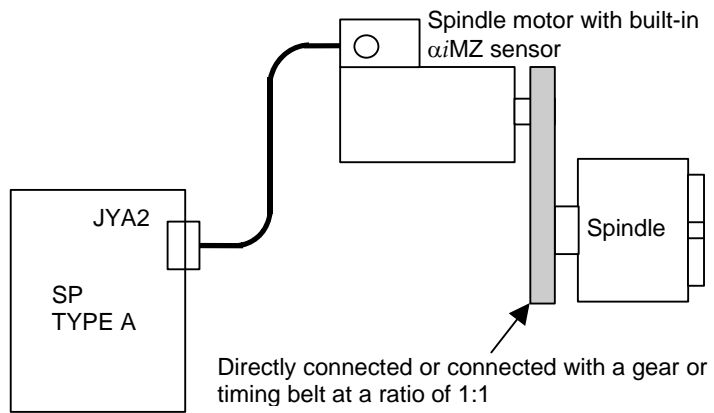
(3) When the built-in motor (αiBZ sensor, αiCZ sensor (analog)) is used



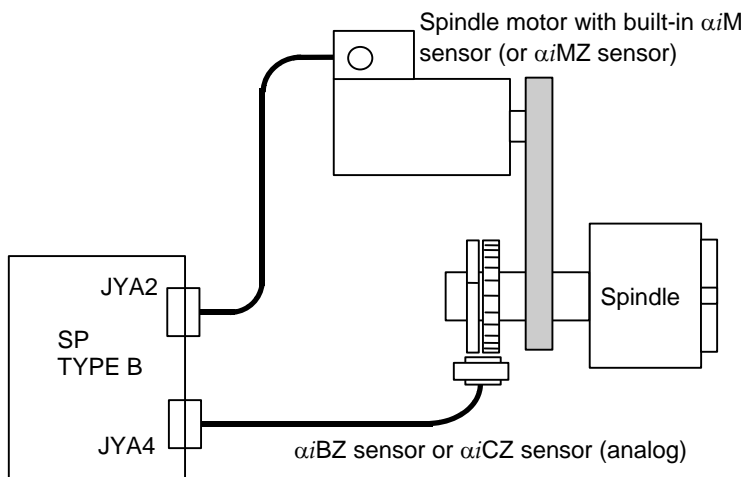
(4) When the built-in motor (αi CZ sensor (serial)) is used

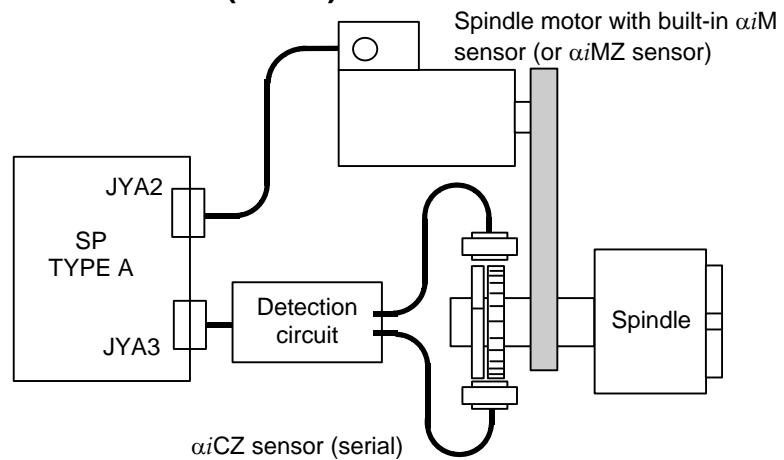
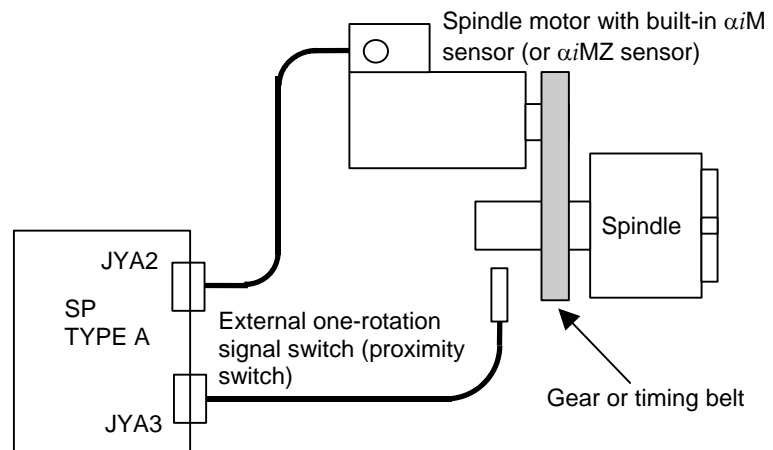


(5) When the spindle motor with built-in αi MZ sensor is used



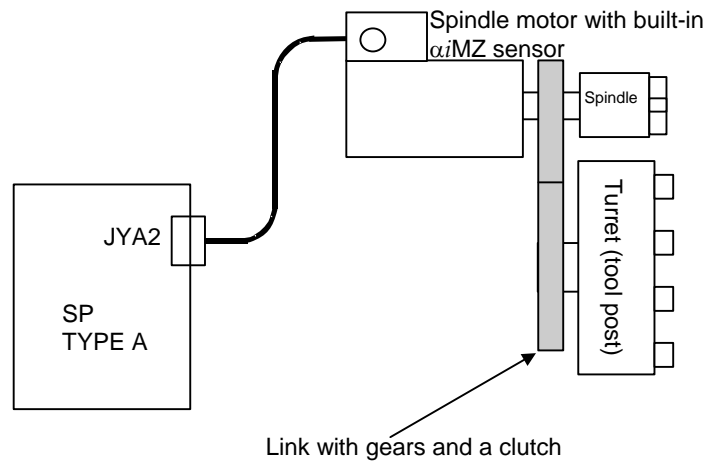
(6) When the separate type αi BZ sensor or the separate type αi CZ sensor (analog) is used



(7) When the separate type α iCZ sensor (serial) is used**(8) When the external one-rotation signal (proximity switch) is used****NOTE**

- 1 To detect the one-rotation signal securely, fix the direction (bits 3 and 2 of parameter No. 4003) in which the spindle rotates during spindle orientation to one direction.
- 2 Specify the type (bits 3 and 2 of parameter No. 4004) of an external one-rotation signal (proximity switch).
- 3 To detect the one-rotation signal securely, set the spindle orientation speed (parameter No. 4038) to a value between 50 and 100 min^{-1} according to the specification of the external one-rotation signal (proximity switch).
- 4 A sequence for detecting the one-rotation signal is started after the orientation speed has been reached.
- 5 Specify the denominator/numerator parameters (Nos. 4171 to 4174) of an arbitrary gear ratio between the motor sensor and spindle.

(9) System in which the turret and the motor with a built-in α iMZ sensor are linked with gears and a clutch (for turret indexing)



5.3.4 I/O Signals (CNC↔PMC)

(1) Address list of input signals (PMC→CNC)

	15i	16i	30i	#7	#6	#5	#4	#3	#2	#1	#0
1st-	G227	G070	G070		ORCMA			CTH1A	CTH2A		
2nd-	G235	G074	G074		ORCMB			CTH1B	CTH2B		
1st-	G229	G072	G072			INCMDA			NRROA	ROTAA	INDXA
2nd-	G237	G076	G076			INCMDB			NRROB	ROTAB	INDXB
1st-	G230	G078	G078	SHA07	SHA06	SHA05	SHA04	SHA03	SHA02	SHA01	SHA00
2nd-	G238	G080	G080	SHB07	SHB06	SHB05	SHB04	SHB03	SHB02	SHB01	SHB00
1st-	G231	G079	G079					SHA11	SHA10	SHA09	SHA08
2nd-	G239	G081	G081					SHB11	SHB10	SHB09	SHB08

(2) Details of input signals (PMC→CNC)

(a) Incremental command data selection signal (INCMDA)

The INCMDA signal is for selecting the data type (stop position data or incremental command data) of externally specified data (SHA00 to SHA11).

- 0: Stop position data
- 1: Incremental command data

(b) Short-cut command for spindle orientation stop position change (NRROA)

The NRROA signal is disabled if incremental command type spindle orientation is enabled (INCMDA = 1).

(c) Spindle orientation command (ORCMA)

- (d) Clutch/gear signals (CT1HA and CTH2A)
- (e) Spindle orientation stop position change command (INDXA)
- (f) Rotation direction command for spindle orientation stop position change (ROTAA)

The functions of the input signals ORCMA, CTH1A, CTH2A, INDXA, and ROTAA are the same as for position coder-method spindle orientation. See Section 2.2, “POSITION CODER METHOD SPINDLE ORIENTATION” in Part I.

(g) Spindle orientation external stop position commands (SHA11 to SHA00)

These commands are treated as incremental command data if INCMDA = 1.

(3) Address list of output signals (CNC→PMC)

	15i	16i	30i	#7	#6	#5	#4	#3	#2	#1	#0
1st-	F229	F045	F045	ORARA							
2nd-	F245	F049	F049	ORARB							
1st-	F221	F047	F047							INCSTA	
2nd-	F247	F051	F051							INCSTB	

(4) Details of output signals (CNC→PMC)

(a) Incremental command mode status signal (INCSTA)

The INCSTA signal indicates the status of the INCMDA (incremental command data selection signal).

0: INCMDA = 0

1: INCMDA = 1

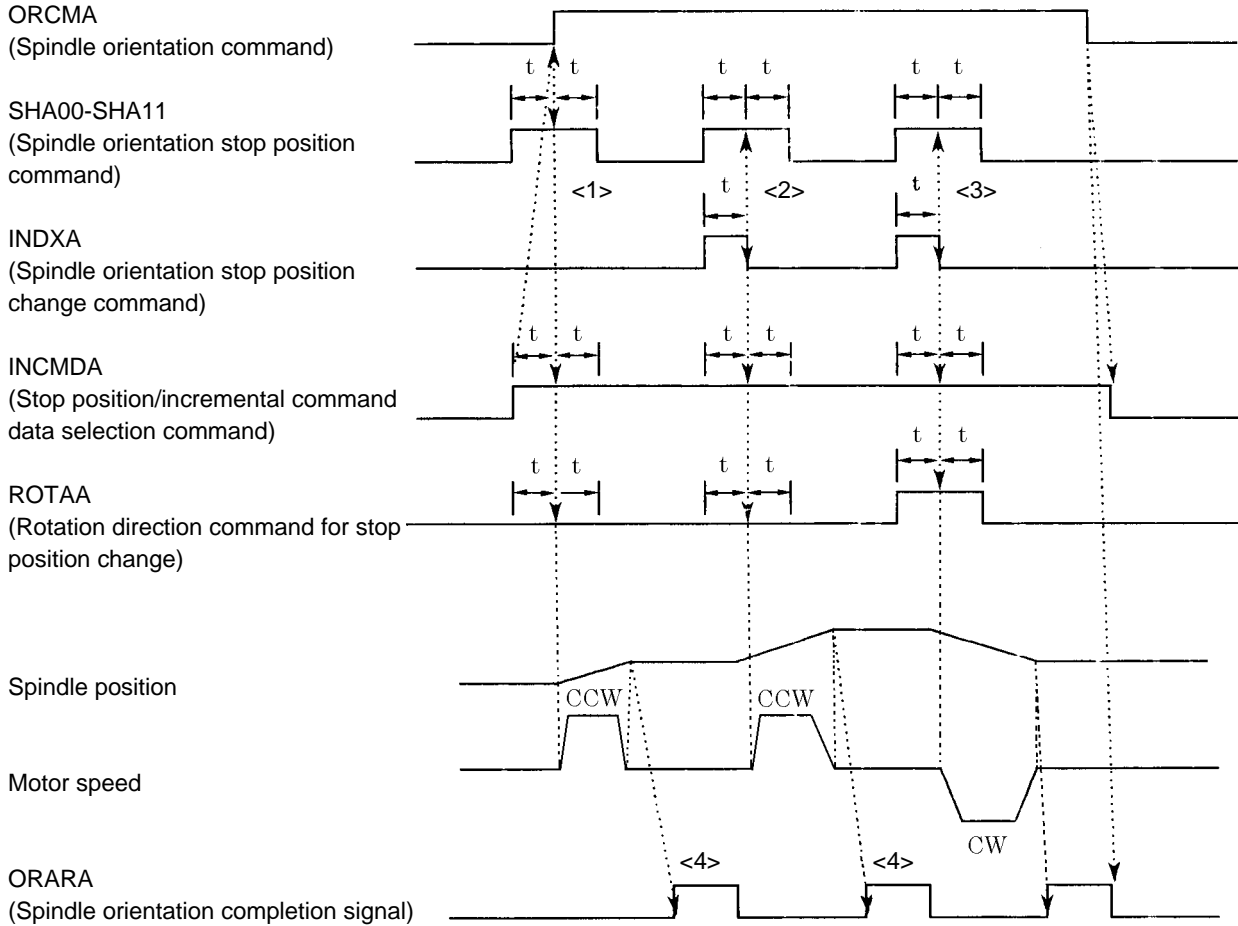
Before performing incremental command type spindle orientation, make sure that this signal is “1”.

(b) Spindle orientation completion signal (ORARA)

The function of the output signal ORARA is the same as for position coder-method spindle orientation. See Section 2.2, “POSITION CODER METHOD SPINDLE ORIENTATION” in Part I.

5.3.5 Examples of Sequences

(1) Incremental operation

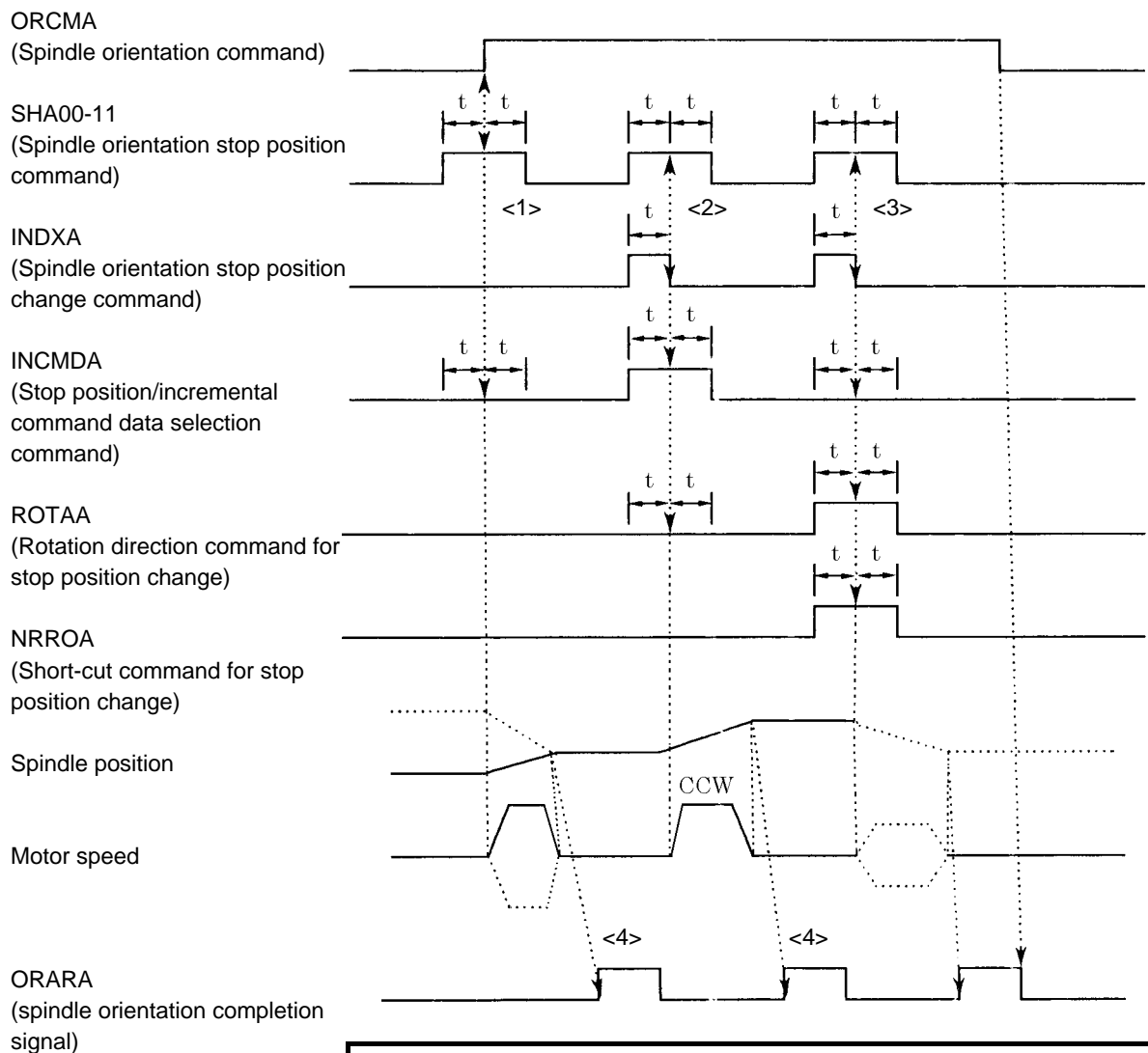


NOTE
 Set time t to 50 ms or over so that each signal can be confirmed.

- <1> The SHA00 to SHA11 data is read as incremental command data if ORCMA rises under the condition of INCMDA = "1" when the spindle is at a halt (zero-speed detection signal SSTA = "1"). The spindle rotates through the specified incremental angle, starting from the position where it rested, and then stops. Its rotation direction is determined by ROTAA.
- <2> If incremental operation is continued, the SHA00 to SHA11 data is read as incremental command data if INDXA falls under the condition of ORCMA = "1" and INCMDA = "1". The spindle rotates through the specified incremental angle, starting from the position where it rested, and then stops. Its rotation direction is determined by ROTAA.

- <3> Incremental command data is specified in pulse units in a range from 0 to +4095 pulses.
 The rotation direction of the spindle is determined by ROTAA.
 If the command multiplier parameter (No. 4328) is specified, the spindle rotates through [command multiplier parameter] × [incremental command data] and then stops. The rotation direction parameter NRROA (bits 2 and 3 of parameter No. 4003) is disabled during incremental operation.
- <4> When the position error gets in a parameter-specified range, the completion signal ORARA is output.

(2) Example of using spindle orientation and incremental movement together



NOTE
 Set time t to 50 ms or over so that each signal can be confirmed.

- <1> Stop at a fixed position as directed with an ordinary spindle orientation command
- In the first-time orientation after the power is switched on, the spindle rotates at the orientation speed. After detecting a one-rotation signal, it stops at a fixed position. In the second- and subsequent-time spindle orientation, the spindle stops at a fixed position within one rotation.
 - The direction in which the spindle motor rotates depends on the setting of the rotation direction parameter (bits 2 and 3 of parameter No. 4003).
 - The SHA00 to SHA11 data is read as stop position command data if ORCMA rises under the condition of INCMDA = "0". The spindle rotates through the angle determined by [SHA00 to SHA11 value] + [value specified in the orientation stop position shift amount parameter (No. 4077)], and then stops there.
- <2> Stop at a fixed position as directed with an incremental command
- See the previous page for incremental operations.
 - If the command multiplier parameter (No. 4328) = 4096, spindle rotation speed control can be performed.
- <3> Fixed position specified with fixed position stop external setting
- The SHA00 to SHA11 data is read as stop position command data if INDXA falls under the condition of ORCMA = "1" and INCMDA = "0", the spindle rotates to a specified position and then stops there.
 - The direction in which the spindle rotates is determined by NRROA and ROTAA.
If NRROA = "1", the spindle rotates from the current stop position to a specified stop position through the shorter route (within $\pm 180^\circ$).
If NRROA = "0", the direction in which the spindle rotates is determined by ROTAA.
- <4> If the position error gets in a parameter-specified range, the completion signal ORARA is output.

5.3.6 List of Related Parameters

Parameter No.			Description
15 <i>i</i>	16 <i>i</i>	30 <i>i</i>	
3015 #0	4015 #0	4015 #0	Whether the spindle orientation function is available (to be set to "1") (The CNC software option is required.)
5609#2	3702#3,#2	3729#0	Whether the stop position external setting-type spindle orientation function is available (to be set to "1") (For 16 <i>i</i> , #2: First spindle, #3: Second spindle)
3328	4328	4328	Command multiplier for incremental command external setting data

NOTE

This subsection describes only the parameters specific to incremental command type spindle orientation. See Section 2.2, "POSITION CODER METHOD SPINDLE ORIENTATION" in Part I, for parameters related to other types of spindle orientation.

5.3.7 Details of Related Parameters

This subsection describes only the parameters specific to incremental command type spindle orientation. See Section 2.2, "POSITION CODER METHOD SPINDLE ORIENTATION" in Part I, for parameters related to other types of spindle orientation.

15i 16i 30i
3328 4328 4328

Command multiplier for spindle orientation by a position coder

Unit of data :
Valid data range : 0 to 32767
Standard setting value : 0

Set a command multiplier for the spindle orientation function with an externally set incremental command.

If this data is "0", the multiplier is automatically assumed to be 1.

Incremental command = incremental command data (SHA11 to SHA00) \times data (multiplier) specified in this parameter

To use spindle rotation speed control, set this parameter to "4096", because one rotation of the spindle corresponds to 4096 pulses.

NOTE

The maximum speed (incremental command) that can be specified is:

120 rotations (= 120×4096 pulses)

9D50/N edition or earlier, 9D70/E edition or earlier

30000 rotations (= 30000×4096 pulses)

9D50/O edition or later, 9D70/F edition or later, 9D80 series

5.4 CONVENTIONAL METHOD ORIENTATION (OPTIONAL FUNCTION)

5.4.1 Overview

Conventional method orientation is a function for stopping the spindle at a specified position by controlling the position using the spindle sensor signal at up to a certain spindle speed.

NOTE

*1 To use this function, the CNC software option is required.

*2 by applying the optimum orientation function, the spindle acceleration command is automatically optimized. This is expected to reduce the positioning time required by conventional method orientation. It is, therefore, recommended to apply the optimum orientation function.

For an explanation of the optimum orientation function, see Section 2.2, "POSITION CODER METHOD SPINDLE ORIENTATION (OPTIMUM ORIENTATION)", in Part I.

5.4.2 Series and Editions of Applicable Spindle Software

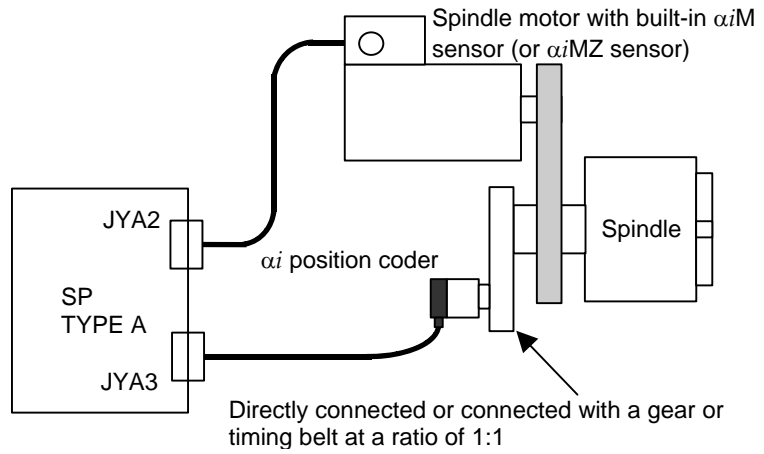
Spindle software

Series	Edition	Usable CNC
9D50	A (01) edition or later	FS16i / FS18i / FS21i , FS0i , FS15i
9D70	A (01) edition or later	FS30i / FS31i / FS32i
9D80	A (01) edition or later	FS16i / FS18i / FS21i , FS0i , FS15i , FS30i / FS31i / FS32i

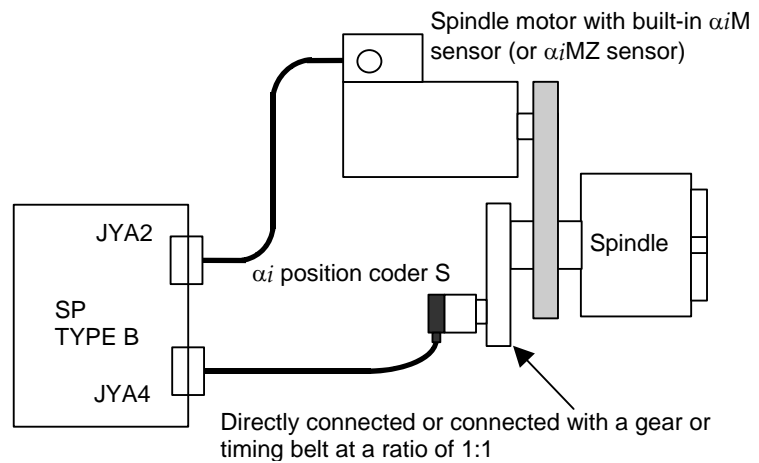
5.4.3 Configuration

Explained below is a system configuration in which the conventional orientation function is usable.

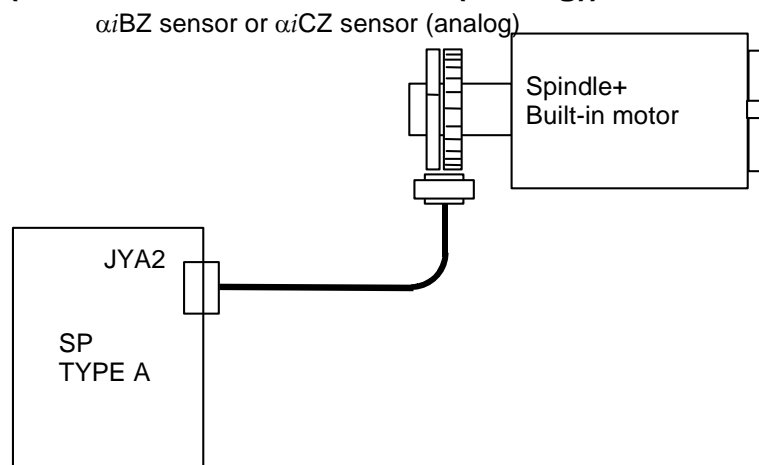
(1) When the αi position coder is used



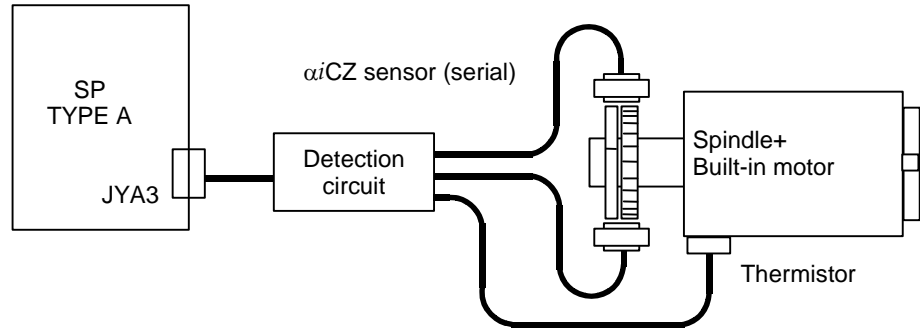
(2) When the αi position coder S is used



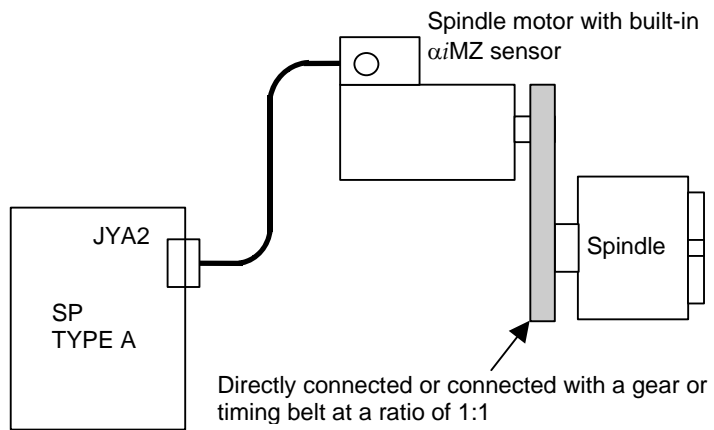
(3) When the built-in motor (αiBZ sensor, αiCZ sensor (analog)) is used



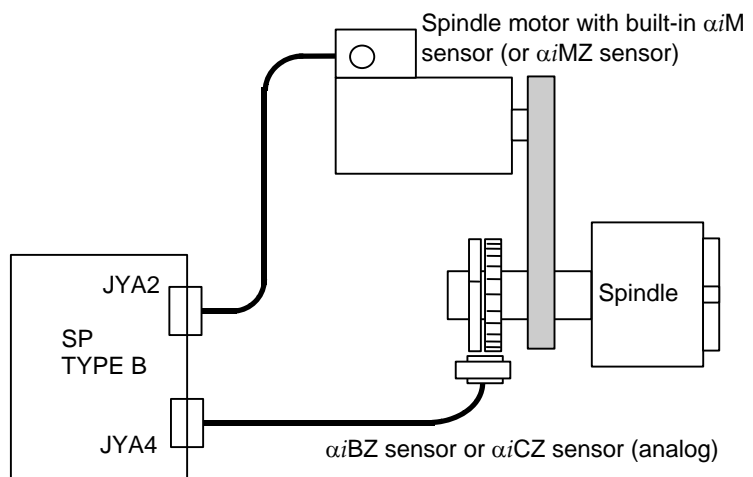
(4) When the built-in motor (αi CZ sensor (serial)) is used

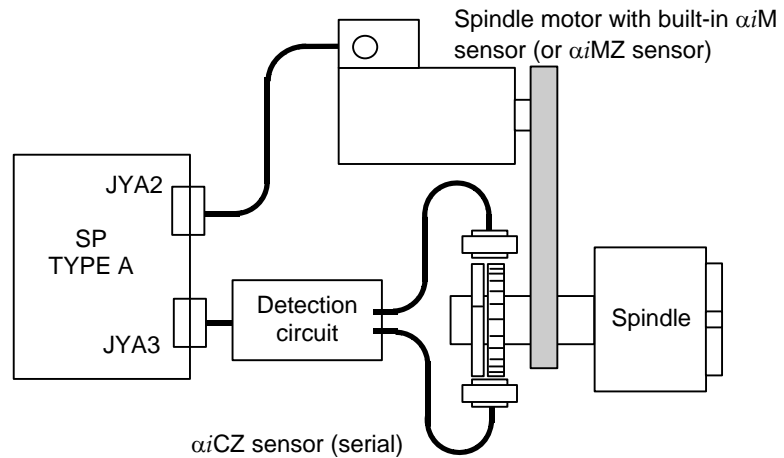
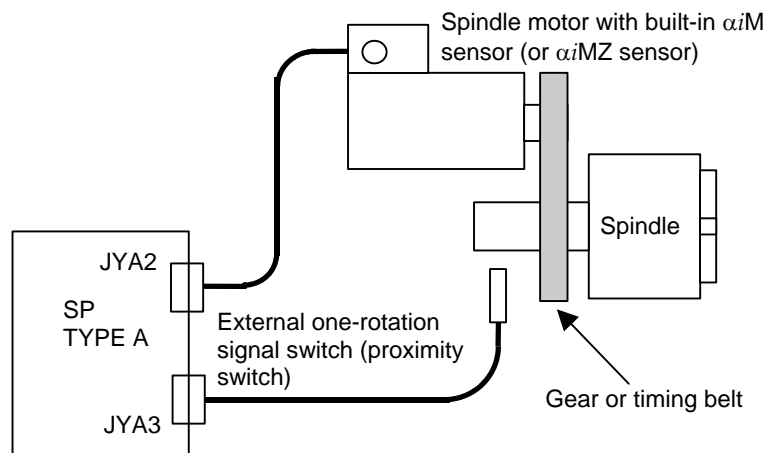


(5) When the spindle motor with built-in αi MZ sensor is used



(6) When the separate type αi BZ sensor or the separate type αi CZ sensor (analog) is used



(7) When the separate type α iCZ sensor (serial) is used**(8) When the external one-rotation signal (proximity switch) is used****NOTE**

- *1 For stable detection of the one-rotation signal, fix the rotation direction (bits 3 and 2 of No. 4003) for orientation at one direction.
- *2 Set the type (bits 3 and 2 of No. 4004) of the external one-rotation signal (proximity switch).
- *3 For stable detection of the one-rotation signal, set an orientation speed (No. 4038) from 50 to 100 min⁻¹ according to the specification of the external one-rotation signal (proximity switch).
- *4 The detection of the one-rotation signal starts after the orientation speed is reached.
- *5 Set the parameters (No. 4171 to No. 4174) for the numerator/denominator of an arbitrary gear ratio between the motor sensor and spindle.

5.4.4 I/O Signals (CNC↔PMC)

(1) Address list of input signals (PMC→CNC)

	15i	16i	30i	#7	#6	#5	#4	#3	#2	#1	#0
1st-	G227	G070	G070		ORCMA			CTH1A	CTH2A		
2nd-	G235	G074	G074		ORCMB			CTH1B	CTH2B		
1st-	G229	G072	G072			INCMDA			NRROA	ROTA	INDXA
2nd-	G237	G076	G076			INCMDB			NRROB	ROTAB	INDXB
1st-	G230	G078	G078	SHA07	SHA06	SHA05	SHA04	SHA03	SHA02	SHA01	SHA00
2nd-	G238	G080	G080	SHB07	SHB06	SHB05	SHB04	SHB03	SHB02	SHB01	SHB00
1st-	G231	G079	G079					SHA11	SHA10	SHA09	SHA08
2nd-	G239	G081	G081					SHB11	SHB10	SHB09	SHB08

(2) Details of input signals (PMC→CNC)

- (a) Spindle orientation command (ORCMA)
- (b) Clutch/gear signals (CTH1A and CTH2A)
- (c) Spindle orientation stop position change command (INDXA)
- (d) Rotation direction command for spindle orientation stop position change (ROTA)
- (e) Short-cut command for spindle orientation stop position change (NRROA)
- (f) Incremental command data selection signal (INCMDA)
- (g) Spindle orientation external stop position commands (SHA11 to SHA00)

The functions of the input signals ORCMA, CTH1A, CTH2A, INDXA, ROTA, NRROA, INCMDA, and SHA11 to SHA00 are the same as for position coder-method spindle orientation and incremental command type spindle orientation. See Sections 2.2, "POSITION CODER-METHOD SPINDLE ORIENTATION," and 5.3, "INCREMENTAL COMMAND TYPE SPINDLE ORIENTATION" in Part I.

(3) Address list of output signals (CNC→PMC)

	15i	16i	30i	#7	#6	#5	#4	#3	#2	#1	#0
1st-	F229	F045	F045	ORARA							
2nd-	F245	F049	F049	ORARB							
1st-	F221	F047	F047							INCSTA	
2nd-	F247	F051	F051							INCSTB	

(4) Details of input signals (CNC → PMC)**(a) Incremental command mode status signal (INCSTA)****(b) Spindle orientation completion signal (ORARA)**

The functions of the output signals ORARA and INCSTA are the same as for position coder-method spindle orientation and incremental command type spindle orientation. See Sections 2.2, "POSITION CODER METHOD SPINDLE ORIENTATION," and 5.3, "INCREMENTAL COMMAND TYPE SPINDLE ORIENTATION" in Part I.

5.4.5 Sequence

For this subsection, see Sections 2.2, "POSITION CODER METHOD SPINDLE ORIENTATION (OPTIMUM ORIENTATION)", and 5.3, "INCREMENTAL COMMAND TYPE SPINDLE ORIENTATION (SPINDLE ROTATION SPEED CONTROL)" in Part I.

5.4.6 List of Related Parameters

Parameter No.			Description
15i	16i	30i	
3015#0	4015#0	4015#0	Specifies whether to use the spindle orientation function. (Set this bit to 1.) (The CNC software option is required.)
5609#2	3702#3,#2	3729#0	Specifies whether to use the spindle orientation function with the stop position external setting type. (For 16i, #2: First spindle, #3: Second spindle)
3003#0	4003#0	4003#0	Choice of orientation method (To be set to 0 for the position coder method)
3003#3,#2	4003#3,#2	4003#3,#2	Direction of rotation in spindle orientation
3017#7	4017#7	4017#7	Shortcut function when orientation is specified in stop state
3018#6 #3	4018#6 #3	4018#6 #3	Type of position coder method spindle orientation (Sets bits 6 and 3 to 0,0.)
3031	4031	4031	Stop position for position coder method orientation (This parameter is disabled when spindle orientation with an externally set stop position or an externally set incremental command is used.)
3042 3043	4042 4043	4042 4043	Velocity loop proportional gain for orientation (A parameter is selected by the CTH1A input signal.)
3050 3051	4050 4051	4050 4051	Velocity loop integral gain for orientation (A parameter is selected by the CTH1A input signal.)
3056 to 3059	4056 to 4059	4056 to 4059	Spindle-to-motor gear ratio (A parameter is selected by the CTH1A and CTH2A input signals.)
3060 to 3063	4060 to 4063	4060 to 4063	Position gain for orientation (A parameter is selected by the CTH1A and CTH2A input signals.)
3064	4064	4064	Rate of change in the position gain upon completion of spindle orientation
3075	4075	4075	Detection level for the spindle orientation completion signal
3076	4076	4076	Speed limit ratio for spindle orientation
3077	4077	4077	Spindle orientation stop position shift
3084	4084	4084	Motor voltage for spindle orientation
3038	4038	4038	Spindle orientation speed
3171	4171	4171	Denominator of an arbitrary gear ratio between the motor sensor and spindle
3173	4173	4173	(A parameter is selected by the input signal CTH1A.)

Parameter No.			Description
15i	16i	30i	
3172	4172	4172	Numerator of an arbitrary gear ratio between the motor sensor and spindle (A parameter is selected by the input signal CTH1A.)
3174	4174	4174	

NOTE

- 1 For the parameters related to detectors, see the Section 1.3, "PARAMETERS RELATED TO DETECTORS" in the Part I.
- 2 For velocity loop proportional/integral gain adjustment, see Section 4.1, "VELOCITY LOOP GAIN ADJUSTMENT", in Part I.
- 3 When using the external one-rotation signal (proximity switch), fix the orientation-time rotation direction (bits 3 and 2 of No. 4003) at one direction.
- 4 When using the external one-rotation signal (proximity switch), set the type of the external one-rotation signal (bits 3 and 2 of No. 4004).
- 5 When using the external one-rotation signal (proximity switch), set an orientation speed from 50 to 100 min⁻¹ (No. 4038) according to the specification of the used external one-rotation signal.
- 6 When using the external one-rotation signal (proximity switch), set the numerator/denominator of an arbitrary gear ratio between the motor sensor and spindle (No. 4171 to No. 4174).

5.4.7 Details of Related Parameters

15i	16i	30i	#7	#6	#5	#4	#3	#2	#1	#0
3003	4003	4003					DIRCT2	DIRCT1		PCMGSL

DIRCT2, DIRCT1 Setting of rotation direction at spindle orientation

DIRCT2	DIRCT1	Rotation direction at spindle orientation
0	0	By rotation direction immediately before (It is CCW at the power on.)
0	1	By rotation direction immediately before (It is CW at the power on.)
1	0	CCW (counterclockwise) direction looking from shaft of motor
1	1	CW (clockwise) direction looking from shaft of motor

NOTE
 When using the external one-rotation signal (proximity switch), fix the orientation-time rotation direction at CCW or CW for stable detection of the one-rotation signal.
 (Bits 3, 2 of No. 4003) = 1, 0 or 1, 1)

PCMGSL Selects the type of orientation.
 Set this bit to 0 (orientation by a position coder).

15i	16i	30i	#7	#6	#5	#4	#3	#2	#1	#0
3004	4004	4004					RFTYPE	EXTRF		

EXTRF, RFTYPE Sets the external one-rotation signal (proximity switch).

RFTYPE	EXTRF	External one-rotation signal (proximity switch)
0	0	None
0	1	Detects the rising edge.
1	1	Detect the falling edge.

NOTE

When using the external one-rotation signal (proximity switch), set the type of the external one-rotation signal (proximity switch) by using this parameter.

15i	16i	30i	#7	#6	#5	#4	#3	#2	#1	#0
3017	4017	4017	NRROEN							

NRROEN Specifies whether to use the shortcut function when orientation is specified in the stop state.

0 : Does not use the function.

1 : Uses the function.

When this bit is set to 1, short cut operation is performed when the following conditions are satisfied:

- Bit 7 of parameter No. 4016 (RFCHK3) is set to 0.
- Zero speed detection output signal SST is set to 1.
- Shortcut command input signal NRROA is set to 1.

15i	16i	30i	#7	#6	#5	#4	#3	#2	#1	#0
3018	4018	4018		ORTYP1			ORTYP1			

ORTYP1, ORTYP0 Type of position coder method orientation

ORTYP1	ORTYP0	Type of orientation
0	0	Conventional method orientation
0	1	Optimum orientation
1	0	Optimum orientation

Specify "0,0" (conventional method orientation).

15i 16i 30i
3031 4031 4031

Position coder method orientation stop position
--

Unit of data : 1 pulse unit (360 degrees/4096)
Valid data range : 0 to 4096
Standard setting : 0

This data is used to set the stop position of position coder method spindle orientation. It can be set at every 360 degrees/4096.

When stop position external command type orientation and incremental command external type orientation are set, this parameter becomes invalid.

Stop position command (SHA11-SHA00) of input signal instructed becomes valid.

15i 16i 30i
3038 4038 4038

Spindle orientation speed

Unit of data : 1min⁻¹ (10min⁻¹ when bit 2 of parameter No.4006(SPDUNT) is set to 1)
Valid data range : 0 to 32767
Standard setting : 0

This parameter sets the orientation speed at the end of the spindle.

When 0 is specified for this parameter, the orientation speed is determined depending on the position gain and the motor speed limit ratio for orientation.

NOTE

When using the external one-rotation signal (proximity switch), set an orientation speed from 50 to 100 min ⁻¹ according to the specification of the used external one-rotation signal (proximity switch) for stable detection of the one-rotation signal.

15i 16i 30i
3042 4042 4042
3043 4043 4043

Velocity loop proportional gain on orientation (HIGH)	CTH1A=0
Velocity loop proportional gain on orientation (LOW)	CTH1A=1

Unit of data :
Valid data range : 0 to 32767
Standard setting : 10

This parameter sets the velocity loop proportional gain for spindle orientation.

When the CTH1A input signal is set to 0, proportional gain for the HIGH gear is selected. When the CTH1A input signal is set to 1, proportional gain for the LOW gear is selected.

15i 16i 30i
 3050 4050 4050
 3051 4051 4051

Velocity loop integral gain on orientation (HIGH)	CTH1A=0
Velocity loop integral gain on orientation (LOW)	CTH1A=1

Unit of data :
 Valid data range : 0 to 32767
 Standard setting : 10

This parameter sets the velocity loop integral gain for spindle orientation.

When the CTH1A input signal is set to 0, integral gain for the HIGH gear is selected. When the CTH1A input signal is set to 1, integral gain for the LOW gear is selected.

15i 16i 30i
 3056 4056 4056
 3057 4057 4057
 3058 4058 4058
 3059 4059 4059

Gear ratio (HIGH)	CTH1A=0, CTH2A=0
Gear ratio (MEDIUM HIGH)	CTH1A=0, CTH2A=1
Gear ratio (MEDIUM LOW)	CTH1A=1, CTH2A=0
Gear ratio (LOW)	CTH1A=1, CTH2A=1

Unit of data : (Motor rotation for one rotation of spindle) / 100
 (When parameter No. 4006 #1 (GRUNIT) is 1, motor rotation / 1000)
 Valid data range : 0 to 32767
 Standard setting : 100

These parameters set the gear ratio of the spindle motor relative to the spindle.

When the motor rotates 2.5 times, for every rotation of the spindle, for example, set 250 in the parameter.

A parameter is selected by the CTH1A and CTH2A input signals.

The gear or clutch status must correspond to the status of the CTH1A and CTH2A input signals.

NOTE

When an improper value is set in these parameters, an unexpected operation can occur. For example, the spindle can continue rotating without stopping at the time of orientation. So, be sure to set a proper gear ratio.

15i 16i 30i
 3060 4060 4060
 3061 4061 4061
 3062 4062 4062
 3063 4063 4063

Position gain on orientation (HIGH)	CTH1A=0, CTH2A=0
Position gain on orientation (MEDIUM HIGH)	CTH1A=0, CTH2A=1
Position gain on orientation (MEDIUM LOW)	CTH1A=1, CTH2A=0
Position gain on orientation (LOW)	CTH1A=1, CTH2A=1

Unit of data : 0.01sec⁻¹
 Valid data range : 0 to 32767
 Standard setting : 1000

These parameters set the position gain for orientation.

A parameter is selected by the CTH1A and CTH2A input signals.

15i 16i 30i
3064 4064 4064

Modification rate of position gain on orientation completion

Unit of data : 1%
Valid data range : 0 to 799
Standard setting : 100

This data is used to set the modification rate of position gain on spindle orientation completion.

15i 16i 30i
3075 4075 4075

Orientation completion signal detection level (limits of in-position)
--

Unit of data : ± 1 pulse unit (360 degrees/4096)
Valid data range : 0 to 100
Standard setting : 10

This data is used to set the detecting level of orientation completion signal (ORARA).

When the spindle position is located within the setting data on orientation completion, the bit of orientation completion signal (ORARA) in the spindle control signals is set to "1".

When the orientation command (ORCMA) is turned off (= 0), the orientation completion signal (ORARA) is set to "0".

15i 16i 30i
3076 4076 4076

Motor speed limit ratio on orientation

Unit of data : 1%
Valid data range : 0 to 100
Standard setting : 33

This data is used to set motor speed limit ratio on orientation.

The value calculated from the position gain (No. 4060 to No. 4063) and this parameter as indicated below is used as an orientation speed and reference position return speed on servo mode (rigid tapping/spindle positioning).

Orientation speed of motor (motor speed)

$$= 60 \times \frac{(\text{Position gain})}{100} \times (\text{Gear ratio}) \times \frac{(\text{Speed limit ratio})}{100} [\text{min}^{-1}]$$

15i 16i 30i
3077 4077 4077

Orientation stop position shift value
--

Unit of data : ± 1 pulse unit (360 degrees/4096)
Valid data range : -4095 to 4095
Standard setting : 0

In the position coder method orientation, set this data to shift stop position.

Spindle is shift numbers of setting pulse in CCW direction, and stops by data (+).

15i 16i 30i
3084 4084 4084

Motor voltage setting on orientation

Unit of data : 1%
Valid data range : 0 to 100
Standard setting : 30

This parameter sets the motor voltage for orientation. Usually, set 30. The value may vary, however, depending on the motor model.

15i 16i 30i
3171 4171 4171
3172 4172 4172
3173 4173 4173
3174 4174 4174

Denominator of arbitrary gear ratio between motor sensor and spindle (HIGH)	CTH1A=0
Numerator of arbitrary gear ratio between motor sensor and spindle (HIGH)	CTH1A=0
Denominator of arbitrary gear ratio between motor sensor and spindle (LOW)	CTH1A=1
Numerator of arbitrary gear ratio between motor sensor and spindle (LOW)	CTH1A=1

Unit of data :
Valid data range : 0 to 32767
Standard setting : 0

These parameters set conversion coefficients (numerator, denominator) for using the detection arbitrary gear ratio function (DMR function) by multiplying a motor sensor (αiM or αiMZ sensor) feedback signal by a gear ratio to produce a spindle position feedback signal.

When the spindle rotates Q times while the motor shaft rotates P times (there is no common divisor other than 1 for P and Q), settings are:

No. 4171 (No. 4173 when CTH1A = 1) = P

No. 4172 (No. 4174 when CTH1A = 1) = Q

When 0 is set in any of these parameters, the setting of 1 is assumed.

NOTE

When using the external one-rotation signal (proximity switch), set an arbitrary gear ratio between the motor sensor and spindle by using this parameter.

5.4.8 Adjusting the Orientation Stop Position Shift Parameter

For this subsection, see Section 2.2, "POSITION CODER METHOD SPINDLE ORIENTATION (OPTIMUM ORIENTATION)", in Part I.

5.4.9 Calculating the Position Gain for Orientation

- (1) When the spindle orientation speed parameter (No. 4038) is set to "0", the orientation speed is determined using the following expression:

$$\text{Nori} = 60 \times \text{PG} \times \text{Rori} \times \text{GEAR}$$

where, Nori : Orientation speed (motor speed) [min^{-1}]

Rori : Motor speed limit ratio for orientation
(parameter No. 4076)

PG : Position gain on orientation [sec^{-1}]
(parameter Nos. 4060 to 4063)

GEAR : Spindle-to-motor gear ratio
(parameter Nos. 4056 to 4059)

- (2) The position gain for spindle orientation is obtained using the following expression:

$$\text{PG} \leq \sqrt{\left(\frac{T_m}{2\pi \times (J_m + J_l) \times \text{Rori} \times \text{GEAR}} \right)}$$

where, PG : Position gain for orientation [sec^{-1}]
(parameter Nos. 4060 to 4063)

T_m : 30-min rated torque for the motor when rotating at Nori [min^{-1}] [Nm]

J_m : Rotor inertia [kgm^2]

J_l : Load inertia converted to motor shaft inertia [kgm^2]

Rori : Motor speed limit ratio for orientation
(parameter No. 4076)

GEAR : Spindle-to-motor gear ratio
(parameter Nos. 4056 to 4059)

- (3) Calculation example when motor model $\alpha i16$ is being used alone

$$T_m = \frac{7500[\text{W}]}{1500[\text{min}^{-1}] \times 0.1047} = 47.8[\text{Nm}]$$

$$J_m = 0.0179[\text{kgm}^2]$$

$$\text{Rori} = 33[\%]$$

$$\therefore \text{PG} \leq \sqrt{\left(\frac{47.8}{2\pi \times 0.0179 \times 0.33} \right)} = 35.9[\text{sec}^{-1}]$$

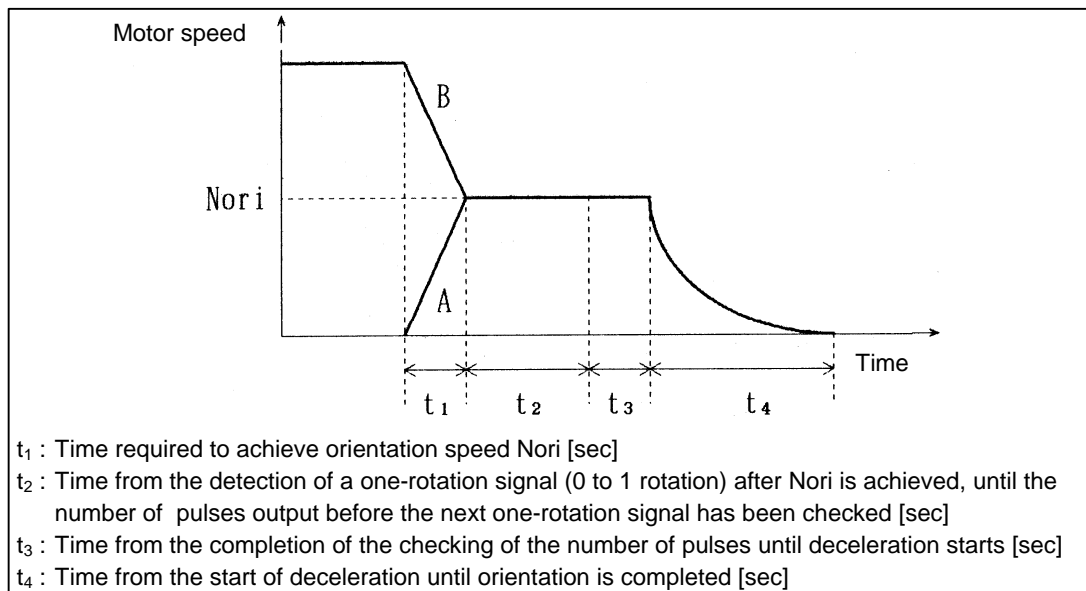
5.4.10 Calculating the Orientation Time

The time required for orientation differs between the first orientation (before the one-rotation signal has first been detected) and the second and subsequent orientations (once the one-rotation signal has been detected).

- (1) Before the one-rotation signal has first been detected (first orientation)

The time, from the input of an orientation command until orientation stops, is divided into four periods.

In the following figure, A indicates that the motor in the stop state starts rotating and is accelerated to the orientation speed. B indicates that the already rotating motor is decelerated to the orientation speed.



- (a) Normally, t_1 is measured on the actual machine.

Orientation speed $Nori$ [min^{-1}] is calculated from position gain PG [sec^{-1}] and motor speed limit ratio for orientation $Rori$.

$$Nori = PG \times 60 \times Rori$$

- (b) t_2 is the time required for the motor to rotate one to two turns at orientation speed $Nori$ [min^{-1}].

$$\frac{1 \times 60}{Nori} \leq t_2 \leq \frac{2 \times 60}{Nori}$$

$$\therefore \frac{1}{PG \times Rori} \leq t_2 \leq \frac{2}{PG \times Rori}$$

- (c) t_3 is the time required for the motor to rotate zero to one turn at orientation speed $Nori$ [min^{-1}].

$$\frac{0 \times 60}{Nori} \leq t_3 \leq \frac{1 \times 60}{Nori}$$

$$\therefore 0 \leq t_3 \leq \frac{1}{PG \times Nori}$$

- (d) t_4 is the time from the start of deceleration until orientation has been completed.

Let the orientation completion width be within ± 10 pulses.
Then, t_4 can be calculated as follows:

$$t_4 = \frac{1}{PG} \times \ln \frac{4096 \times Nori}{10}$$

- (e) Therefore, orientation time t [sec] ($= t_1 + t_2 + t_3 + t_4$) can be expressed as follows:

$$t_1 + \frac{1}{PG \times Nori} + \frac{1}{PG} \ln \frac{4096 \times Nori}{10} \leq t \leq t_1 + \frac{3}{PG \times Nori} + \frac{1}{PG} \ln \frac{4096 \times Nori}{10}$$

- (2) Once the one-rotation signal has been detected (second and subsequent orientations)

- (a) Once the one-rotation signal has been detected, the time required to detect the signal is no longer necessary.

Therefore, when orientation is started from the rotating state, orientation time t [sec] ($= t_1 + t_3 + t_4$) is expressed as follows:

$$t_1 + \frac{1}{PG} \ln \frac{4096 \times Nori}{10} \leq t \leq t_1 + \frac{1}{PG \times Nori} + \frac{1}{PG} \ln \frac{4096 \times Nori}{10}$$

- (b) Whenever orientation is started from the stop state, orientation must be completed and the motor must enter the stop state within one-rotation. In this case, orientation time t [sec] is expressed as follows:

$$0 \leq t \leq \frac{1 - Nori}{PG \times Nori} + \frac{1}{PG} \ln \frac{4096 \times Nori}{10}$$

(3) Calculation examples

Time required to achieve orientation speed $t_1 = 0.5$ [sec]Position gain $PG = 20$ [sec^{-1}]Motor speed limit for orientation $R_{ori} = 0.33$ (= 33%)

- (a) Orientation time before the one-rotation signal has been detected

$$0.5 + \frac{1}{20 \times 0.33} + \frac{1}{20} \times \ln \frac{4096 \times 0.33}{10} \leq t \leq 0.5 + \frac{3}{20 \times 0.33} + \frac{1}{20} \times \ln \frac{4096 \times 0.33}{10}$$

$$\therefore 0.896[\text{sec}] \leq t \leq 1.196[\text{sec}]$$

- (b) Orientation time when orientation is started from the rotating state (once the one-rotation signal has been detected)

$$0.5 + \frac{1}{20} \times \ln \frac{4096 \times 0.33}{10} \leq t \leq 0.5 + \frac{1}{20 \times 0.33} + \frac{1}{20} \times \ln \frac{4096 \times 0.33}{10}$$

$$\therefore 0.746[\text{sec}] \leq t \leq 0.896[\text{sec}]$$

- (c) Orientation time when orientation is started from the stop state (once the one-rotation signal has been detected)

$$0 \leq t \leq \frac{1 - 0.33}{20 \times 0.33} + \frac{1}{20} \ln \frac{4096 \times 0.33}{10}$$

$$\therefore 0[\text{sec}] \leq t \leq 0.346[\text{sec}]$$

5.5 SPINDLE ORIENTATION DURING SPINDLE SYNCHRONIZATION CONTROL (OPTIONAL FUNCTION)

5.5.1 Overview

This function performs orientation stop operation (orientation during spindle synchronous control) in the direction/stop position specified externally while keeping synchronization between spindles during spindle synchronous control.

Using spindle orientation during spindle synchronous control (hereafter simply called synchronous orientation) enables the following operations:

- Loading/unloading of an irregular-shape workpiece during spindle synchronous control
- Side-facing of a workpiece that must be held at both ends (such as a long workpiece) after it is indexed

NOTE

- 1 Using this function requires the CNC software option for spindle synchronous control.
- 2 This function is an add-on to the spindle synchronous control function. This section focuses on the add-on.
- 3 Using this function requires the enabling of the stop position externally setting spindle orientation function.
- 4 Some parameter specifications related to the α i series spindle amplifiers differ from those related to the α series. See Subsection 5.5.7, "Details of Related Parameters".

5.5.2 Series and Editions of Applicable Spindle Software

Spindle software

Series	Edition	Usable CNC
9D50	E (05) edition or later	FS16i / FS18i / FS21i , FS0i
9D70	A (01) edition or later	FS30i / FS31i / FS32i
9D80	A (01) edition or later	FS16i / FS18i / FS21i , FS0i, FS30i / FS31i / FS32i

5.5.3 Specification

Synchronous orientation

During spindle synchronous control, inputting the synchronous orientation command (SPPHS rising edge when SORENA = 1) can stop spindle orientation with two spindles kept in synchronization.

NOTE

- 1 If bell-shaped Acc./Dec. is already enabled, it is kept enabled during synchronous orientation.
- 2 If you changed parameters or sequences, disconnect each spindle for safety purposes, and then run the machine to check carefully the direction in which each spindle rotates, the position where each spindle stops, and whether a synchronous error occurs.

Reference position (phase) setting

Before issuing a synchronous orientation command, it is necessary to perform reference position (phase) setting for the two spindles.

Set the reference position of each of the spindles using spindle phase synchronous control.

If spindle phase synchronous control is performed with synchronous speed command = "0", the spindles stop at:

[One-rotation signal position] + [shift amount during spindle synchronous control (parameter No. 4034)]

This position is used as a reference position (stop position where SHA11 to SHA00 are all 0s) for the synchronous orientation stop position.

NOTE

- 1 Before inputting the spindle phase synchronous control command (SPPHS), make sure that both the spindles are rotating at the synchronous speed and they remain synchronized (FSPSY = 1). If the synchronous control command is issued before the spindles start rotating at the synchronous speed, they get out of phase.
- 2 In addition, before inputting the phase synchronous command, disconnect both spindles.

Synchronous orientation stop position

SHA11 to SHA00 are used to specify the spindle stop position for synchronous orientation. Specify the desired shift amount relative from the reference position explained above.

NOTE

- 1 Be sure to specify the same reference position for both the spindles. If you fail to specify the same spindle position, it is impossible to maintain spindle synchronization.
- 2 Also specify the direction in which each spindle rotates during synchronous orientation, using ROTAA. The direction in which each spindle must rotate to keep itself in synchronization with the other spindle varies depending on the machine configuration. Be sure to specify the correct direction according to the machine condition so that the spindles are maintained in synchronization. If you fail to specify the correct direction, it is impossible to maintain spindle synchronization.
- 3 Keep these signals (SHA11 to SHA00 and ROTAA) in the stated status until synchronous orientation is completed.

5.5.4 I/O Signals (CNC↔PMC)

(1) Address list of input signals (PMC→CNC)

(a) For path 1

	16i	30i	#7	#6	#5	#4	#3	#2	#1	#0
	G038	G038					SPPHS	SPSYC		
1st-	G072	G072							ROTAA	
2nd-	G076	G076							ROTAB	
1st-	G073	G073					SORSLA			
2nd-	G077	G077					SORSLB			
1st-	G078	G078	SHA07	SHA06	SHA05	SHA04	SHA03	SHA02	SHA01	SHA00
2nd-	G080	G080	SHB07	SHB06	SHB05	SHB04	SHB03	SHB02	SHB01	SHB00
1st-	G079	G079					SHA11	SHA10	SHA09	SHA08
2nd-	G081	G081					SHB11	SHB10	SHB09	SHB08

(b) For path 2

	16i	30i	#7	#6	#5	#4	#3	#2	#1	#0
	G1038	G1038					SPPHS	SPSYC		
1st-	G1072	G1072							ROTAA	
2nd-	G1076	G1076							ROTAB	
1st-	G1073	G1073					SORSLA			
2nd-	G1077	G1077					SORSLB			
1st-	G1078	G1078	SHA07	SHA06	SHA05	SHA04	SHA03	SHA02	SHA01	SHA00
2nd-	G1080	G1080	SHB07	SHB06	SHB05	SHB04	SHB03	SHB02	SHB01	SHB00
1st-	G1079	G1079					SHA11	SHA10	SHA09	SHA08
2nd-	G1081	G1081					SHB11	SHB10	SHB09	SHB08

(2) Details of input signals (PMC→CNC)

(a) Spindle synchronous control command (SPSYC)

Setting the SPSYC signal to “1” directs the spindles to enter the spindle synchronous control mode. Before issuing this command, specify SORSLA (SORSLA) = “0”.

Maintain the condition of SPSYC = “1” during synchronous orientation.

(b) Spindle phase synchronous control command or synchronous orientation command (SPPHS)

If SORENA (SORENB) = “0”, the spindle phase synchronous control command is issued at the rising edge of the SPPHS signal. (See Section 2.5, “SPINDLE SYNCHRONIZATION CONTROL” in Part I.)

If SORENA (SORENB) = “1”, the synchronous orientation command is issued at the rising edge of the SPPHS signal. When the synchronous orientation command is issued, the synchronous speed command becomes disabled, and synchronous orientation begins.

Keep satisfying synchronous speed command = “0” during synchronous orientation.

Before issuing the synchronous orientation command, make sure that SORSLA (SORSLB) = “1” and SORENA (SORENB) = “1” are satisfied for both the spindles.

Keep in mind that the meaning of the SPPHS signal changes according to the state of the SORENA (SORENB) signal.

To issue the synchronous orientation command after spindle phase synchronous control is performed, it is necessary to reset the SPPHS signal to “0” previously. The spindle phase synchronous control completion signal is kept at “0” while the SPPHS signal is “0”.

(c) Synchronous orientation request command (SORSLA)

The SORSLA signal is a signal for requiring synchronous orientation.

In response to this signal, the spindle amplifier outputs a synchronous orientation permission signal (SORENA or SORENB).

If SORSLA (SORSLB) = “1” is input, the synchronous orientation command (SPPHS) becomes enabled when SORENA (SORENB) = “1” is satisfied.

Keep the current state of the SORSLA signal until synchronous orientation is completed.

If SORSLA (SORSLB) = “0” is input, synchronous orientation is released and the synchronous speed command becomes enabled, when SORENA (SORENB) = “0” is satisfied.

(d) Synchronous orientation external stop position command (SHA11 to SHA00)

This command is used to specify the stop position for synchronous orientation.

If all of the SHA11 to SHA00 signals are “0”, the position where each spindle is to rest (reference position) is as stated below if the spindle phase synchronous command is issued under the condition of synchronous speed command = “0”:

[One-rotation signal position] + [shift amount during spindle synchronous control (parameter No. 4034)]

The shift amount relative from the reference position is:

$$\text{Shift amount (degrees)} = \frac{360}{4096} \times \sum_{i=0}^{11} (SHA_i \times 2^i)$$

Assert the SHA11 to SHA00 signals at least 50 ms before the synchronous orientation command is input, and keep them asserted until synchronous orientation is completed.

(e) Rotation direction command for synchronous (ROTAA)

This command specifies the direction in which the spindle rotates during synchronous orientation.

0: The spindle rotates CCW.

1: The spindle rotates CW.

To make both the spindles rotate in the same direction, it is necessary to input the ROTAA signal correctly. Because the correct rotation direction changes depending on the machine configuration, specify it exactly while paying attention to the way each spindle is linked to its motor and the positional relationship between the spindles.

Assert the ROTAA signals at least 50 ms before the synchronous orientation command is input, and keep it asserted until synchronous orientation is completed.

(3) Address list of output signals (CNC→PMC)**(a) For path 1**

	16i	30i	#7	#6	#5	#4	#3	#2	#1	#0
	F044	F044				SYCAL	FSPPH	FSPSY		
1st-	F047	F047					SORENA			
2nd-	F051	F051					SORENB			

(b) For path 2

	16i	30i	#7	#6	#5	#4	#3	#2	#1	#0
	F1044	F1044				SYCAL	FSPPH	FSPSY		
1st-	F1047	F1047					SORENA			
2nd-	F1051	F1051					SORENB			

(4) Details of output signals (CNC→PMC)**(a) Synchronous orientation permission signal (SORENA)**

If this signal is “1”, the synchronous orientation command is issued at the rising edge of the SPPHS signal.

If this signal is “0”, the spindle phase synchronous command is issued at the rising edge of the SPPHS signal. If this signal becomes “0” during synchronous orientation, the synchronous orientation is released.

In this case, reset the synchronous speed command for both the spindles to “0”. SORENA (SORENB) = “1” is output if SORSLA (SORSLB) = “1” is satisfied, and SORENA (SORENB) = “0” is output if SORSLA (SORSLB) = “0” is satisfied.

(b) Spindle speed synchronous control completion signal (FSPSY)

If the spindle synchronous control command is issued, the FSPSY signal becomes “1” when both spindles reach the specified synchronous speed.

Before issuing the spindle phase synchronous control command for reference position setting, make sure that the synchronous speed command is “0” and the FSPSY signal is “1”.

The signal becomes “1” if the velocity error between the spindles is smaller than the value specified in parameter No. 4033.

(c) Spindle phase synchronous control completion signal or synchronous orientation completion signal (FSPPH)

If the spindle phase synchronous control command is issued, the FSPPH signal becomes “1” when phase synchronization is completed. If the synchronous orientation command is issued, the signal becomes “1” when synchronous orientation is completed.

The signal is kept at “0” while SPPHS (spindle phase synchronous control command or synchronous orientation command) = “0”.

After the spindle phase synchronous control command has been issued, the signal is output if the following conditions are satisfied.

- The velocity error between the spindles is smaller than the value specified in parameter No. 4034.
- The synchronous error between the spindles is smaller than the value specified in parameter No. 4810.

After the synchronous orientation command has been issued, the signal is output if the following conditions are satisfied.

- The synchronous error between the spindles is smaller than the value specified in parameter No. 4810.
- The position error between the spindles is smaller than the value specified in parameter No. 4075.

(d) Phase synchronous error monitor signal (SYCAL)

This signal is used to detect when a synchronous error becomes large when the spindles are under synchronous control.

If the signal is detected, the PMC usually performs alarm processing.

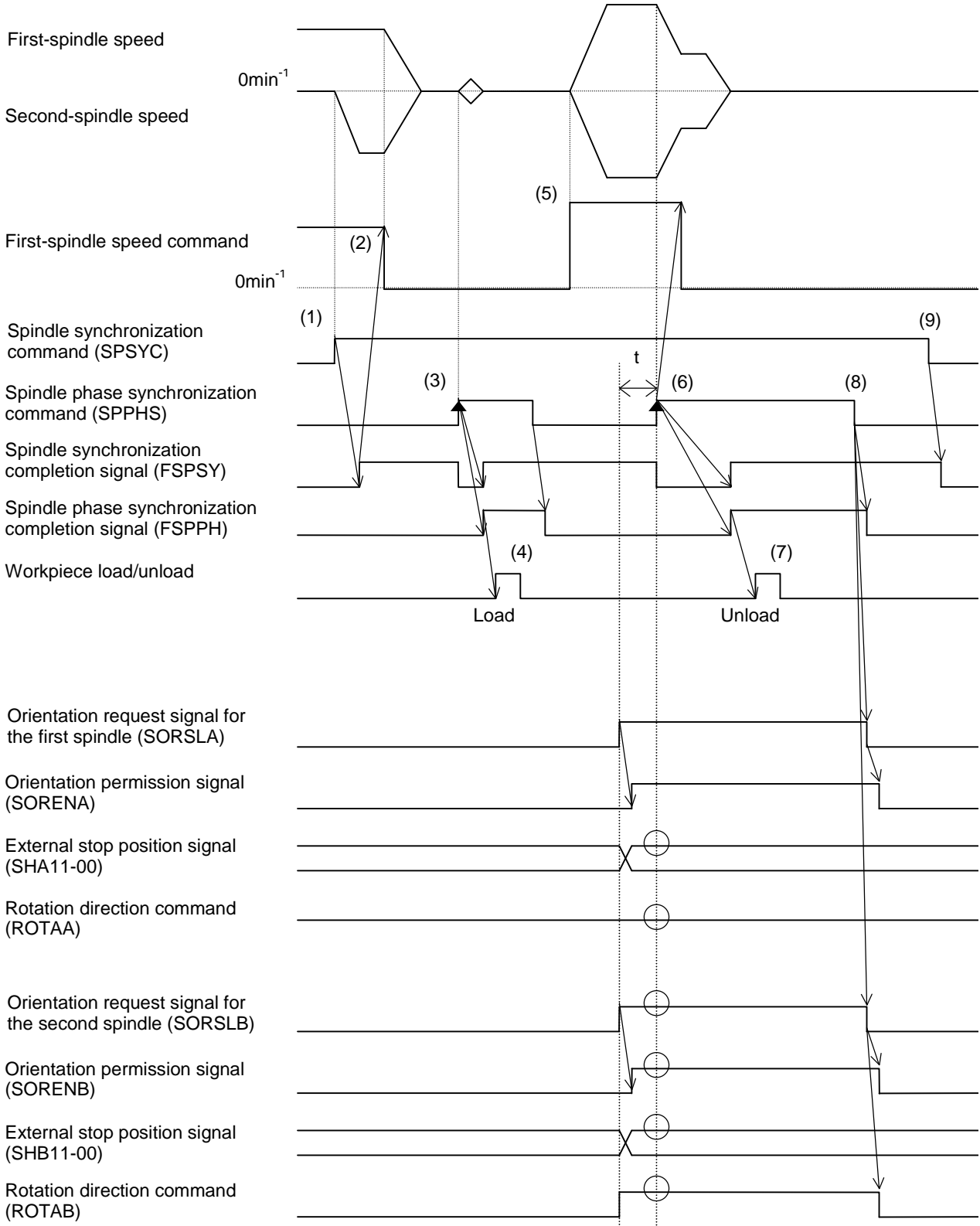
The signal becomes “1” if the synchronous error between the two spindles becomes larger than or equal to the value specified in parameter No. 4811 when the spindles are under synchronous control.

5.5.5 Sequence

Shown below is an example of a sequence in which synchronous orientation is used. In this example sequence, the first and second spindles are put under spindle synchronous control to perform the machining described below.

- (1) The spindle synchronous control command is issued with the first spindle rotating and the second at rest.
- (2) Upon completion of spindle synchronization, synchronous speed command = “0” is specified.
- (3) The spindle phase synchronous control command is issued for reference position setting.
- (4) Upon completion of spindle phase synchronization, a workpiece is loaded.
- (5) The workpiece is machined by running the spindles under spindle synchronous control.
- (6) The spindles are stopped at a fixed position, using synchronous orientation.
- (7) Upon completion of synchronous orientation, the workpiece is unloaded.
- (8) Synchronous orientation is released.

(9) Spindle synchronous control is released.



NOTE
 Set time t to at least 50 ms so that each signal can be asserted securely.

5.5.6 List of Related Parameters

Parameter No.		Description
16i	30i	
4800#1,#0	4801#0	Direction in which each of spindles rotates under spindle synchronous control (For 16i: #0: First spindle: #1: Second spindle. For 30i: Each spindle)
4810	4810	That error pulse difference between two spindles on which the spindle phase synchronous completion signal is output
4811	4811	That error pulse difference between two spindles on which the spindle phase synchronous error monitor signal is output
3702#3,#2	3729#0	Whether the stop position external setting-type spindle orientation function is available (For 16i: #0: First spindle: #1: Second spindle. For 30i: Each spindle)
4006#4	4006#4	Setting for disabling automatic detection of a one-rotation signal when the spindle synchronous control mode is switched
4014#6	4014#6	Whether the synchronous orientation function is available
4032	4032	Acceleration at spindle synchronous control (It is necessary to specify the same value for the first and second spindles.)
4033	4033	Spindle synchronous speed arrival level
4034	4034	Shift amount at spindle phase synchronous control
4035	4035	Spindle phase synchronous compensation data
4044	4044	Velocity proportional gain on spindle synchronous control
4045	4045	(This parameter is selected with the input signal CTH1A.)
4052	4052	Velocity integral gain on spindle synchronous control
4053	4053	(This parameter is selected with the input signal CTH1A.)
4056 to 4059	4056 to 4059	Gear ratio data between spindle and motor (These parameters are selected with the input signals CTH1A and CTH2A.)
4065 to 4068	4065 to 4068	Position gain on spindle synchronous control (It is necessary to specify the same value for the first and second spindles.) (These parameters are selected with the input signals CTH1A and CTH2A.)
4075	4075	Orientation completion signal detection level
4085	4085	Motor voltage setting on spindle synchronous control
4336	4336	Acceleration magnetic flux switching point for spindle synchronous control (It is necessary to specify the same value for the first and second spindles.)
4340	4340	Bell-shaped acceleration/deceleration time constant for spindle synchronous control (It is necessary to specify the same value for the first and second spindles.)
4369	4369	Synchronous orientation deceleration coefficient

NOTE

- 1 See Section 1.3, "PARAMETERS RELATED TO DETECTORS", in Part I for parameters related to detectors.
- 2 See Section 4.1, "VELOCITY LOOP GAIN ADJUSTMENT", in Part I for velocity loop proportional/integral gain tuning.
- 3 See "Function Description: Spindle Synchronous Control" for parameters related to the spindle synchronous control function.

5.5.7 Details of Related Parameters

16i	-	#7	#6	#5	#4	#3	#2	#1	#0
3702	-					OR2	OR1		

OR1 The stop position external setting-type spindle orientation function (for the first spindle) is:
 0 : Disabled
 1 : Enabled
 Set to “1”.

OR2 The stop position external setting-type spindle orientation function (for the second spindle) is:
 0 : Disabled
 1 : Enabled
 Set to “1”.

-	30i	#7	#6	#5	#4	#3	#2	#1	#0
-	3729								ORT _s

ORT_s The stop position external setting-type spindle orientation function is:
 0 : Disabled
 1 : Enabled
 Set to “1”.

16i	30i	#7	#6	#5	#4	#3	#2	#1	#0
4014	4014		SYCORI						

SYCORI : The synchronous orientation function is:
 0 : Disabled
 1 : Enabled
 Set to “1” for both the spindles.

16i	30i	Orientation completion signal detection level							
4075	4075								

Unit of data : 1 pulse unit (360 degrees/4096)
 Valid data range : 0 to 100
 Standard setting value : 10
 This parameter is used to specify the synchronous orientation completion pulse width. When the synchronous orientation command is issued, the synchronous orientation completion signal (FSPPH) becomes “1” if the spindle stop position is within the setting data range.
 Specify the same value for both the spindles.
 This parameter is used also for regular orientation.

16i 30i
4369 4369

Synchronous orientation deceleration coefficient

Unit of data : 1%
Valid data range : 0 to 100
Standard setting value : 0

This parameter is used to specify a change that occurs in the spindle speed during synchronous orientation as a ratio to the acceleration during spindle synchronous control (parameter No. 4032). If the setting is "0", it is assumed to be 100%. (The change ratio specified in parameter No. 4032 is used without modification.)

Specify the same value for both the spindles.

5.6 SPINDLE FINE ACC./DEC. (FAD) FUNCTION

5.6.1 Overview

The spindle fine Acc./Dec. (FAD) function realizes smooth acceleration/deceleration during rigid tapping and Cs contouring control by performing acceleration/deceleration processing with spindle software. It can reduce mechanical shocks that may accompany acceleration/deceleration.

NOTE

- 1 This function is usable in a combination of the α i spindle amplifier and the FANUC Series 16i/18i/21i-MODEL B CNC.
- 2 This function cannot be used with the FANUC Series 15i MODEL B.
- 3 This function cannot be used with the FANUC Series 30i /31i /32i.
- 4 This function cannot be used together with the spindle EGB function.

5.6.2 Series and Editions of Applicable Spindle Software

Spindle software

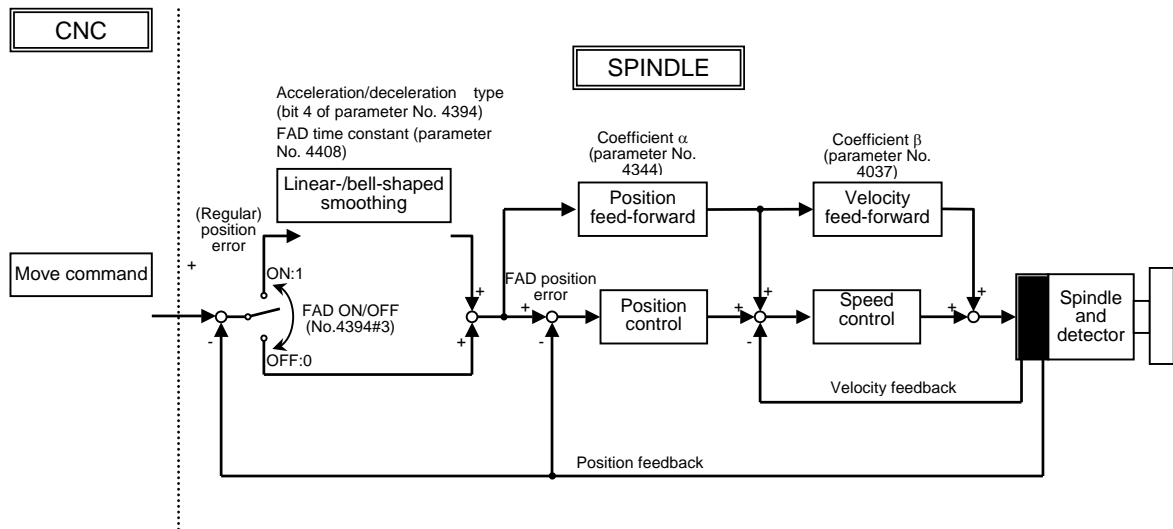
Series	Edition	Remark
9D50	E (05) edition or later	
9D80	A (01) edition or later	

CNC software

Series	Edition	Remark
B0H1	M (13) edition or later	For the FANUC Series 16i/160i/160is-MB
BDH1	M (13) edition or later	For the FANUC Series 18i/180i/180is-MB
BDH5	C (03) edition or later	For the FANUC Series 18i/180i/180is-MB5
DDH1	M (13) edition or later	For the FANUC Series 21i/210i/210is-MB
B1H1	M (13) edition or later	For the FANUC Series 16i/160i/160is-TB
BEH1	M (13) edition or later	For the FANUC Series 18i/180i/180is-TB
DEH1	M (13) edition or later	For the FANUC Series 21i/210i/210is-TB

5.6.3 Block Diagram

Shown below is the block diagram of a system configuration in which spindle fine Acc./Dec. is used. Smooth acceleration/ deceleration is realized by applying linear- or bell-shaped smoothing to the move command from the CNC on small cycles in the spindle software.



5.6.4 Parameters

(1) List of Related Parameters

Parameter No.	Description
16i	
5205#7	Setting of fine Acc./Dec. during rigid tapping
4394#3	Spindle fine Acc./Dec. function bit
4394#4	Acceleration/deceleration type during spindle fine Acc./Dec.
4344	Feed-forward coefficient during fine Acc./Dec.
4037	Velocity loop feed-forward coefficient during fine Acc./Dec.
4408	Fine Acc./Dec. time constant
4409	Feed-forward timing adjustment coefficient

(2) Details of parameters related to rigid tapping

16i	#7	#6	#5	#4	#3	#2	#1	#0
5205	REF							

REF Setting of fine Acc./Dec. during rigid tapping

0 : No fine Acc./Dec. (FAD) is available.

1 : Fine Acc./Dec. (FAD) is available.

To be set to "1" if the spindle fine Acc./Dec. (FAD) function is used.

(3) Details of parameters related to serial spindles

16i 4394	#7	#6	#5	#4	#3	#2	#1	#0
				FADLIN	FADFNC			

FADFNC Spindle fine Acc./Dec. (FAD) function bit
 0 : The fine Acc./Dec. (FAD) function is disabled.
 1 : The fine Acc./Dec. (FAD) function is enabled.
 To be set to “1” if the spindle fine Acc./Dec. (FAD) function is used.

FADLIN Acceleration/deceleration type during spindle fine Acc./Dec. (FAD)
 0 : Bell-shaped Acc./Dec.
 1 : Linear-shaped Acc./Dec.
 Specify the same acceleration/deceleration type as for the servo axis for which interpolation is performed simultaneously with this function.

16i 4344	Feed-forward coefficient during fine Acc./Dec.
-------------	---

Unit of data : 0.01%
 Valid data range : 0 to 10000
 Standard setting value : 0
 This parameter is used to specify the feed-forward coefficient for spindle fine Acc./Dec.
 Specify the same setting for the servo axis for which interpolation is performed simultaneously with this function.

16i 4037	Velocity loop feed-forward coefficient during fine Acc./Dec.
-------------	---

Unit of data :
 Valid data range : 0 to 32767
 Standard setting value : 0
 This parameter is used to specify the velocity loop feed-forward coefficient during fine Acc./Dec. (FAD). Determine what to specify according to the following calculation.

$$\text{Setting} = 214466 \times \frac{[\text{spindle inertia} + \text{rotor inertia}] (\text{kgm}^2)}{\text{motor maximum torque (Nm)}}$$

16i 4408	Fine Acc./Dec. time constant
-------------	-------------------------------------

Unit of data : 1msec
 Valid data range : 8 to 64
 Standard setting value : 0
 This parameter is used to specify the time constant for spindle fine Acc./Dec. (FAD). If the specified value is out of the valid data ranging, the setting is clamped to the upper or lower limit.
 No cutting/traverse time constant switching function is available.
 Specify the same value as for the servo axis (for cutting) for which interpolation is performed simultaneously with this function.

16i
4409**Feed-forward timing adjustment coefficient**

Unit of data : 0.001msec
 Valid data range : -1000 to 1000
 Standard setting value : 0

This parameter is used to adjust the timing of the feed-forward term of the velocity command to improve accuracy of the synchronization with the servo axis being accelerated or decelerated.

Setting -1000 advances the timing by 1 ms, and setting +1000 lags the timing by 1 ms.

5.6.5 Diagnosis (Diagnosis Screen)

Address	Description
16i	
418	1st-spindle (regular) position error
420	2nd-spindle (regular) position error
422	3rd-spindle (regular) position error
424	4th-spindle (regular) position error
714	1st-spindle (FAD) position error
715	2nd-spindle (FAD) position error
734	3rd-spindle (FAD) position error
735	4th-spindle (FAD) position error

5.6.6 Status Errors

Error No.	Description	Measure
31	Invalid hardware configuration	Check the model of the CNC in use.
34	An attempt was made to enable both the spindle FAD function and spindle EGB function.	To use the spindle FAD function, disable the spindle EGB function.

5.6.7 Cautions

(1) Cautions for using the synchronization and fine Acc./Dec. (FAD) functions simultaneously between the servo axis and spindle axis

The following restrictions are placed on the simultaneous use of the synchronization and fine Acc./Dec. (FAD) functions between the servo axis (hereafter SV axis) and spindle axis (hereafter SP axis).

Function	Whether the SV-axis FAD is usable		Cautions about simultaneous use
	If the SP-axis FAD is disabled	If the SP-axis FAD is enabled	
Rigid tapping	Usable	Usable	If the SP-axis FAD is disabled: FAD and feed-forward are kept off during rigid tapping. Establishing synchronization requires changing the position gain for SV-axis rigid tapping (bit 3 of parameter No. 2209 or parameter Nos. 5280 to 5284). (*) If the SP-axis FAD is enabled: It is necessary to use the same FAD time constant, acceleration/deceleration type, feed-forward coefficient, and position gain for both the SV axis (for cutting) and SP axis.
Advanced preview rigid tapping	Unusable	Usable	It is necessary to use the same FAD time constant, acceleration/deceleration type, feed-forward coefficient, and position gain for both the SV axis (for cutting) and SP axis.
Cs contouring control	Unusable	Usable	It is necessary to use the same FAD time constant, acceleration/deceleration type, feed-forward coefficient, and position gain for both the SV axis (for cutting) and SP axis.
Hobbling function	Unusable	Unusable	Disable the SV-axis FAD function.
EGB function	Unusable	Unusable	Disable the SV-axis FAD function.
Flexible synchronization	Unusable	Usable	It is necessary to use the same FAD time constant, acceleration/deceleration type, feed-forward coefficient, and position gain for both the SV axis (for cutting) and SP axis.

NOTE

(*) If the SP-axis FAD is disabled, set bit 3 of parameter No. 2209 to 1, or set parameter Nos. 5280 to 5284 with a value 1 ms higher than otherwise.
If the SP-axis FAD is enabled, reset bit 3 of parameter No. 2209 to 0 and set parameter Nos. 5280 to 5284 with the same value as for the spindle axis.
Refer to the "FANUC AC SERVO MOTOR α is/ α ii/ β is series Parameter Manual (B-65270EN)" for details.

(2) Cautions about position error

When the spindle fine Acc./Dec. (FAD) function is in use, the following two types of position error can occur because the spindle software applies smoothing to a motion command from the CNC.

- Actual position error related to the command from the CNC: (Regular) position error
- Position error used within the spindle software: FAD position error

These position error are used for the following purposes.

- (Regular) position error: Excessive-error check and in-position check
- FAD position error: Error display on the spindle adjustment screen

NOTE

The (regular) position error becomes larger by the amount of an influence of fine Acc./Dec. (FAD) smoothing. So, include this amount when specifying excessive-error and in-position check levels.

An increase in the position error caused by fine Acc./Dec. (FAD) is obtained by:

[When the linear type is used.]

$$\text{Increase in pos. error (pulses)} = \frac{\text{detection unit}}{\text{unit}} \times \frac{\text{feedrate (min}^{-1}\text{)}}{60 \times 1000} \times \left[\frac{\text{FAD time constant (ms)}}{2} + 1 \right]$$

[When the bell-shaped type is used.]

$$\text{Increase in pos. error (pulses)} = \frac{\text{detection unit}}{\text{unit}} \times \frac{\text{feedrate (min}^{-1}\text{)}}{60 \times 1000} \times \left[\frac{\text{FAD time constant (ms)}}{2} + 1 \right]$$

Letting the FAD time constant and feedrate be, respectively, 64 ms (bell-shaped type) and 3000 min^{-1} for rigid tapping (with a detection unit of 4096 pulses/rev):

$$\text{Increase in pos. error (pulses)} = 4096 \times \frac{3000}{60 \times 1000} \times \left[\frac{64}{2} + 1 \right] = 6758$$

5.7 UNEXPECTED DISTURBANCE TORQUE DETECTION FUNCTION (OPTIONAL FUNCTION)

5.7.1 Overview

The unexpected disturbance torque detection function is intended to monitor friction torque components and those needed in machining by extracting them from the torque output from the spindle motor and eliminating the torque needed in acceleration/deceleration. It can be used to detect a broken tool and to manage the tools for service life.

NOTE

- 1 Using this function requires the CNC software option for the unexpected disturbance torque detection function.
- 2 A broken or worn tool may or may not be able to be detected depending on the machine condition.

5.7.2 Series and Editions of Applicable Spindle Software

Series	Edition	Remark
9D50	A (01) edition or later	FS16 <i>i</i> / FS18 <i>i</i> / FS21 <i>i</i> , FS0 <i>i</i> , FS15 <i>i</i>
9D70	A (01) edition or later	FS30 <i>i</i> / FS31 <i>i</i> / FS32 <i>i</i>
9D70	A (01) edition or later	FS16 <i>i</i> / FS18 <i>i</i> / FS21 <i>i</i> , FS0 <i>i</i> , FS15 <i>i</i> , FS30 <i>i</i> / FS31 <i>i</i> / FS32 <i>i</i>

5.7.3 I/O Signals (CNC \leftrightarrow PMC)

(1) Address list of output signals (CNC \rightarrow PMC)

16i	30i	#7	#6	#5	#4	#3	#2	#1	#0
F090	F090					ABTSP3	ABTSP2	ABTSP1	
F091	F091				ABTSP4				
15i									
F155		AQSP2	AQSP1						
F154						AQSP4	AQSP3		

(2) Details of output signals (CNC \rightarrow PMC)

- (a) First-spindle unexpected disturbance torque detection signals (ABTSP1 and AQSP1)
- (b) Second-spindle unexpected disturbance torque detection signals (ABTSP2 and AQSP2)
- (c) Third-spindle unexpected disturbance torque detection signals (ABTSP3 and AQSP3)
- (d) Fourth-spindle unexpected disturbance torque detection signals (ABTSP4 and AQSP4)

These signals are output when the estimated load torques on the respective spindles become higher than or equal to the set level. Refer to an applicable CNC Connection Manual (Function) for details.

- (a) For Series 16i/18i/21i

“FANUC Series 16i/18i/21i-MODEL B
CONNECTION MANUAL (FUNCTION) : B-63523EN-1
Refer to Section 2.10, “ABNORMAL LOAD DETECTION.”

- (b) For Series 30i/31i/32i

“FANUC Series 30i/31i/32i-MODEL A
CONNECTION MANUAL (FUNCTION) : B-63943EN-1
Refer to Section 2.9, “UNEXPECTED DISTURBANCE
TORQUE DETECTION FUNCTION.”

- (c) For Series 15i

“FANUC Series 15i-MODEL B
CONNECTION MANUAL (FUNCTION) : B-63783EN-1
Refer to Section 2.9, “ABNORMAL LOAD DETECTION.”

- (d) For Series 0i

“FANUC Series 0i-MODEL C
CONNECTION MANUAL (FUNCTION) : B-64113EN-1
Refer to Section 2.9, “ABNORMAL LOAD DETECTION.”

5.7.4 List of Related Parameters

Parameter No.			Description
15i	16i	30i	
3015 #1	4015 #1	4015 #1	Whether the unexpected disturbance torque detection function is available (The CNC software option is required.)
3248	4248	4248	Torque constant for spindle load torque monitoring (for high-speed output switching characteristics)
3281	4281	4281	Torque constant for spindle load torque monitoring (for low-speed output switching characteristics)
3249	4249	4249	Observer gain 1 for spindle load torque monitoring
3250	4250	4250	Observer gain 2 for spindle load torque monitoring
3341	4341	4341	Unexpected disturbance torque detection level

5.7.5 Details of Related Parameters

15i	16i	30i	#7	#6	#5	#4	#3	#2	#1	#0
3015	4015	4015							SPLDMT	

SPLDMT : Whether the unexpected disturbance torque detection function is available

0 : Unavailable

1 : Available

This parameter is specified automatically by the software option.

15i	16i	30i	
3248	4248	4248	Torque constant for spindle load torque monitoring (for high-speed output switching characteristics)
3281	4281	4281	Torque constant for spindle load torque monitoring (for low-speed output switching characteristics)

Unit of data :

Valid data range : 0 to 32767

Standard setting value :

Specify the torque constant K_t for calculating the spindle load torque, using the following calculation:

$$K_t = \frac{T_{\max}}{J_m + J_l} \times 4.889$$

T_{\max} : Motor maximum output torque [Nm] (Use 120% of the 30-minute rated torque as a rough standard.)

J_m : Motor rotor inertia [kgm^2]

J_l : Spindle inertia (in terms of motor axis inertia) [kgm^2]

15i	16i	30i
3249	4249	4249
3250	4250	4250

Observer gain 1 for spindle load torque monitoring

Observer gain 2 for spindle load torque monitoring

Unit of data :
 Valid data range : 0 to 32767
 Standard setting value : 500

Specify the gain (usually “500”) for the spindle load torque estimation observer.

15i	16i	30i
3341	4341	4341

Unexpected disturbance torque detection level
--

Unit of data : 0.01%
 Valid data range : 0 to 10000
 Standard setting value : 0

Specify the output level for the spindle unexpected disturbance torque detection signal, using a percentage to the motor maximum output torque. If this parameter is “0”, no spindle unexpected disturbance torque detection signal is output.

5.7.6 Parameter Tuning Procedure

(1) Parameter initialization

Initialize the parameters related to the unexpected disturbance torque detection function as listed below.

No.	Description	Initial setting
4015#1	Whether the unexpected disturbance torque detection function is available (The CNC software option is required.)	1
4248	Torque constant for spindle load torque monitoring	Specify an appropriate value according to the spindle inertia (see the following expression).
4249	Observer gain 1 for spindle load torque monitoring	500
4250	Observer gain 2 for spindle load torque monitoring	500
4341	Unexpected disturbance torque detection level	0 (to be changed to an appropriate value according to the use of the machine)

(2) Initial setting of the torque constant (parameter No. 4248)

Using the following expression, calculate the initial torque constant setting according to the spindle inertia and specify it in the corresponding parameter.

$$Kt = \frac{T \max}{Jm + JI} \times 4.889$$

T_{\max} : Motor maximum output torque [Nm] (Use 120% of the 30-minute rated torque as a rough standard.)

Jm : Motor rotor inertia [kgm^2]

JI : Spindle inertia (in terms of motor axis inertia) [kgm^2]

Example)

Initial torque constant setting for the α iI3/10000

Letting motor rotor inertia Jm , motor maximum output torque T_{\max} , and spindle inertia JI be, respectively, 0.0148 kgm^2 , $35.0 \times 1.2 = 42.0 \text{ Nm}$, and 0.0250 kgm^2 , the torque constant is:

$$Kt = 42.0 / (0.0148 + 0.0250) \times 4.889 = 5159.24$$

So, set parameter No. 4248 to "5159".

(3) Tuning the torque constant (parameter No. 4248)

Described below is how to tune the torque constant while observing the spindle torque data, using the spindle check board (A06B-6078-H001). Refer to an applicable maintenance manual for detailed explanations about how to use the spindle check board.

First set up the spindle check board as listed below.

Output terminal	Output data	Setting		Resolution
CH1	Motor speed	d-05	19	1638.4 min ⁻¹ /V
		d-06	18	
		d-07	0	
		d-08	1	
CH2	Spindle load torque	d-09	277	5V = T _{max} (motor maximum output torque)
		d-10	7	
		d-11	0	
		d-12	1	

With the above settings, direct the machine to run at a speed that matches your machining program, cause it to perform acceleration/deceleration with no load, and observe the load torque on the spindle.

While observing the waveform of the spindle load torque, tune the torque constant so that the spindle load torque during acceleration will get close (and flat) to 0.

See the following charts for details.

Fig. <1>: Parameter No. 4248 = 10000

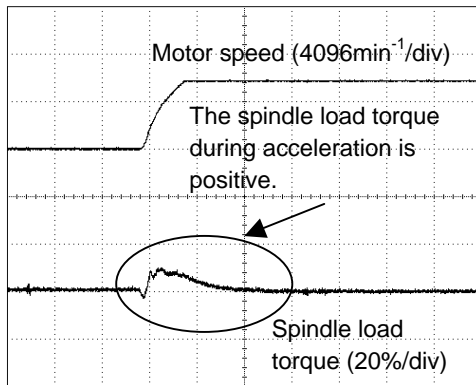


Fig. <2>: Parameter No. 4248 = 15000

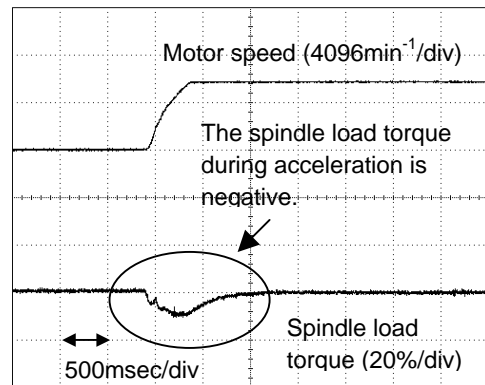
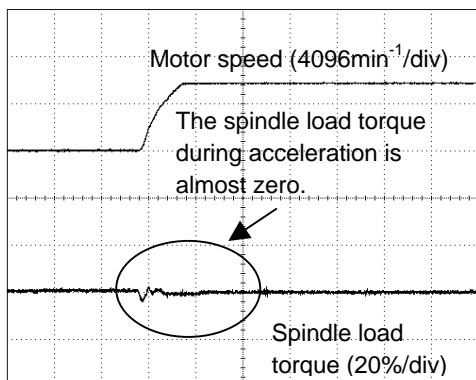


Fig. <3>: Parameter No. 4248 = 12000 (final value)



5.8 SPINDLE EGB (SPINDLE ELECTRONIC GEAR BOX) (OPTIONAL FUNCTION)

5.8.1 Overview

The spindle EGB function is intended to use one of spindles in a pair as a tool axis (master axis) and the other as a workpiece axis (slave axis) and cause the slave axis to rotate in synchronization with the master axis at a specified synchronous ratio. Refer to an applicable CNC Connection Manual (Function) for details of this function.

(a) For Series 16i/18i

“FANUC Series 16i/18i/21i-MODEL B

CONNECTION MANUAL (FUNCTION) : B-63523EN-1

Refer to Section 1.14.2, “Spindle Electronic Gear Box (M series).”

NOTE

- 1 Using this function requires the CNC software option.
- 2 Using this function requires SP TYPE B for both the master and slave axes.
- 3 For the master and slave axes, use the spindle software of the same series and edition.
- 4 This function cannot be used together with the spindle fine Acc./Dec. (FAD) function.
- 5 This function cannot be used together with the toque tandem control function.
- 6 This function cannot be used with the FANUC Series 15i-MODEL B.
- 7 This function cannot be used with the FANUC Series 30i/31i/32i.
- 8 There are no limitations on the assignment of the master and slave axes.

For descriptive purposes, this specification assumes:

Master spindle amplifier: 1st spindle

Slave spindle amplifier: 2nd spindle

5.8.2 Series and Editions of Applicable Spindle Software

Spindle software

Series	Edition	Remark
9D50	E (05) edition or later	
9D80	A (01) edition or later	

NOTE

When using the α iCZ sensor (serial) as the motor or spindle sensor, use 9D80 series H (08) edition.

CNC software

Series	Edition	Remark
B0H1	A (01) edition or later	For FANUC Series 16 /160i/160is-MB
BDH1	A (01) edition or later	For FANUC Series 18i/180i/180is-MB
BDH5	A (01) edition or later	For FANUC Series 18i/180i/180is-MB5

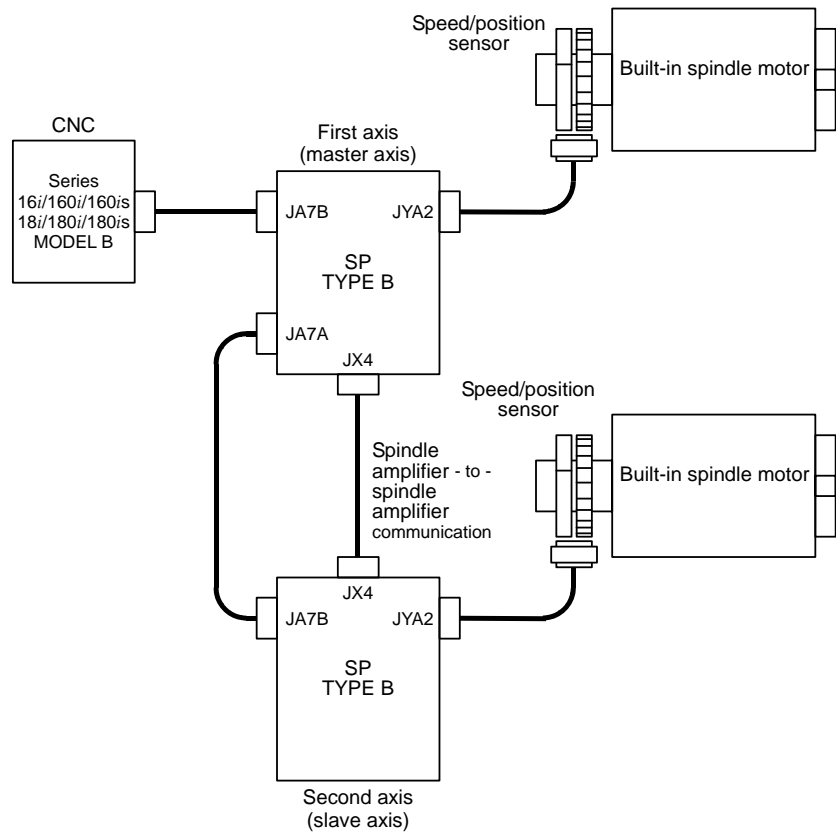
5.8.3 System Configuration

The spindle EGB function is usable in the following system configuration.

NOTE

The spindle EGB function is usable between spindles having a different detector configuration.

(1) System configuration with built-in motors



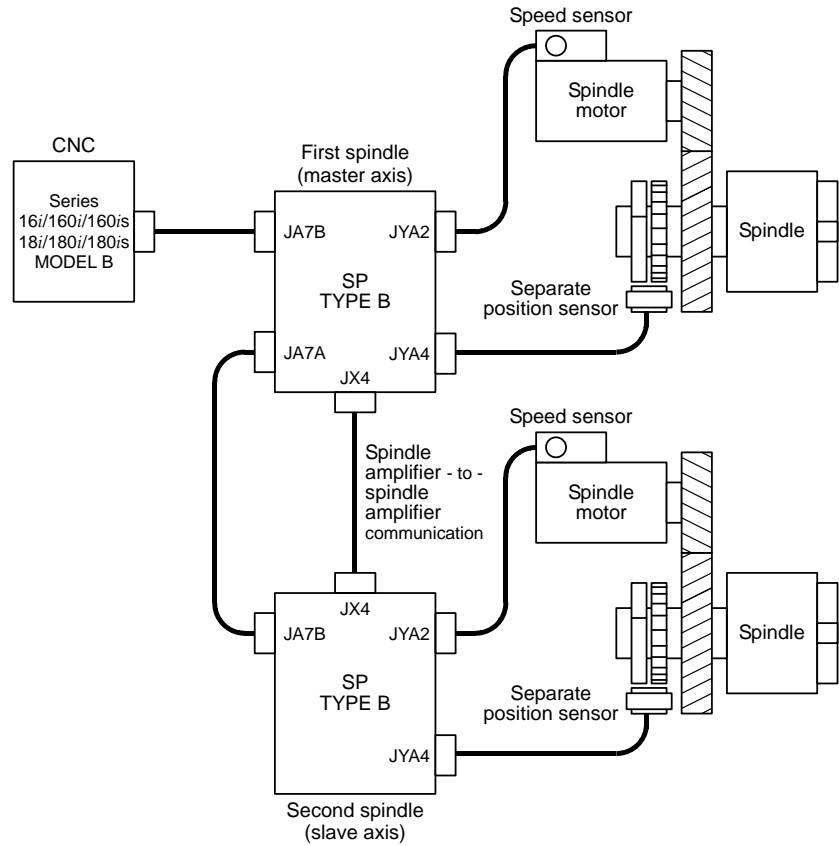
NOTE
 When using the α iCZ sensor (serial) as the speed/position sensor, connect the feedback cable to JYA3.

Parameter settings related to detectors

Parameter	Setting	Description
4000#0	0	The spindle and motor rotates in the same direction.
4002#3,#2,#1,#0	0,0,0,1	The motor sensor is used for position feedback.
4003#7,#6,#5,#4	0,0,0,0	It is unnecessary to specify the number of the spindle sensor teeth.
4010#2,#1,#0	0,0,1	α iMZ/ α iBZ/ α iCZ sensor (analog)
	0,1,1	α iCZ sensor (serial)
4011#2,#1,#0 or 4334	Depending on the sensor.	Setting for the number of motor sensor (speed sensor) teeth
4056 to 4059	100 or 1000	The spindle-to-motor gear ratio is 1:1. (The settings for these parameters vary depending on the gear ratio increment system specified in bit 1 or parameter No. 4006.)
4386 (*)	Depending on the sensor.	Setting for the number of master-axis motor sensor (speed sensor) teeth

(*) This parameter is valid only for the slave axis (second spindle).

(2) System configuration with separate α iBZ sensors or separate α iCZ sensors



NOTE

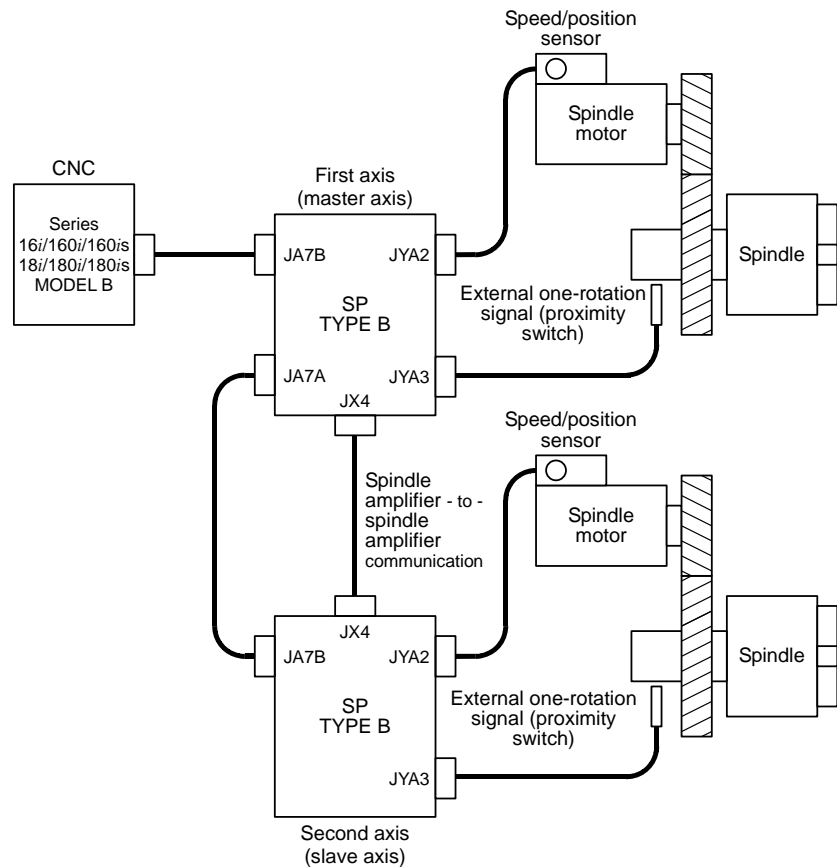
When using the α iCZ sensor (serial) as the separate position sensor, connect the feedback cable to JYA3.

Parameter settings related to detectors

Parameter	Setting	Description
4000#0	Depending on the spindle configuration	Setting for the relationship between the rotation directions of the spindle and motor
4001#4	Depending on the spindle configuration	Setting for the orientation in which the spindle sensor is mounted
4002#3,#2,#1,#0	0,0,1,0	α iBZ sensor, α iCZ sensor (analog)
	0,1,1,0	α iCZ sensor (serial)
4003#7,#6,#5,#4 or 4361	Depending on the sensor	Setting for the number of spindle sensor (position sensor) teeth.
4010#2,#1,#0	0,0,0	α iM sensor
	0,0,1	α iMZ sensor
4011#2,#1,#0 or 4334	Depending on the sensor	Setting for the number of motor sensor (speed sensor) teeth
4056 to 4059	Depending on the spindle configuration	Setting for the spindle-to-motor gear ratio
4386 (*)	Depending on the sensor	Setting for the number of master-axis motor sensor (speed sensor) teeth

(*) This parameter is valid only for the slave axis (second spindle).

(3) System configuration where an external one-rotation signal (proximity switch) is used



Parameter settings related to detectors

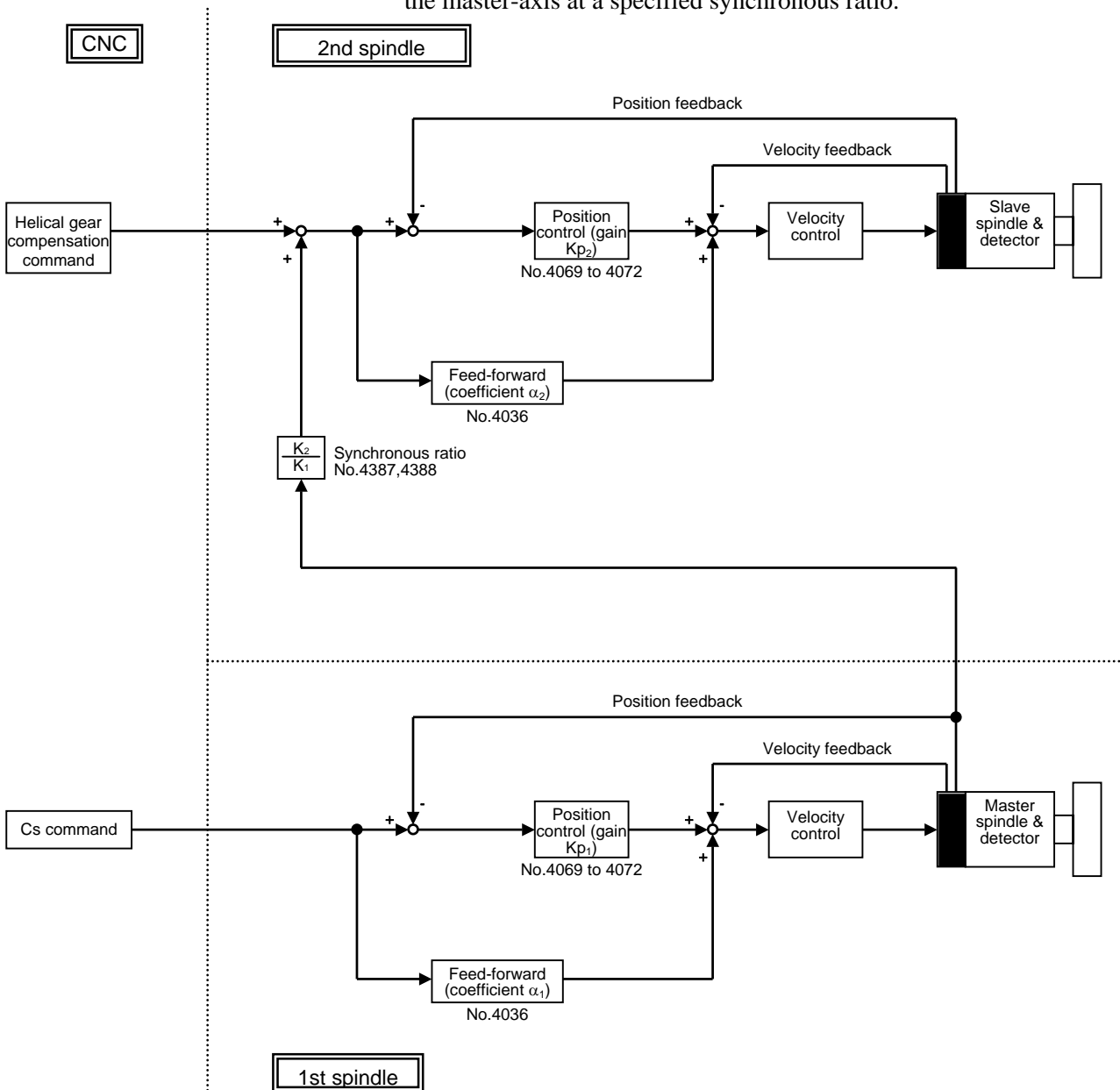
Parameter	Setting	Description
4000#0	Depending on the spindle configuration	Setting for the relationship between the rotation directions of the spindle and motor
4002#3,#2,#1,#0	0,0,0,1	To be used for the position feedback of the motor sensor
4003#7,#6,#5,#4	0,0,0,0	It is unnecessary to specify the number of teeth on the spindle sensor.
4004#2	1	An external one-rotation signal (proximity switch) is used.
4004#3	Depending on the sensor	Setting for the type of the external one-rotation signal (proximity switch)
4010#2,#1,#0	0,0,1	<i>αiMZ/αiBZ/αiCZ</i> sensor (analog)
4011#2,#1,#0 or 4334	Depending on the sensor	Setting for the number of motor sensor (speed sensor) teeth
4056 to 4059	Depending on the spindle configuration	Setting for the spindle-to-motor gear ratio
4171 to 4174	Depending on the spindle configuration	Setting for the spindle-to-motor gear ratio (arbitrary gear ratio).
4386 (*)	Depending on the sensor	Setting for the number of master-axis motor sensor (speed sensor) teeth
4498, 4499 (*)	Depending on the spindle configuration	Setting for the master-axis spindle-to-motor gear ratio (arbitrary gear ratio)

(*) This parameter is valid only for the slave axis (second spindle).

5.8.4 Block Diagram

Shown below is the block diagram of a system configuration in which the spindle EGB is used.

In this system configuration, it is possible to use one of spindles in a pair as a tool axis (master axis) and the other as a workpiece axis (slave axis) and cause the slave axis to rotate in synchronization with the master-axis at a specified synchronous ratio.



NOTE

- 1 It is possible to drive the master axis (first spindle) on the velocity control mode.
- 2 To drive the master axis at a constant speed in the Cs contouring control mode, use the position control function for the PMC axis control constant-speed command.

5.8.5 I/O Signals (CNC↔PMC)

This subsection lists only the input/output signals related to the spindle EGB. Refer to an applicable CNC Connection Manual (Function) for details of each signal.

- (a) For Series 16i/18i
 FANUC Series 16i/18i/21i-MODEL B
 CONNECTION MANUAL (FUNCTION): B-63523EN-1
 Refer to Subsection 1.14.2, “Spindle Electronic Gear Box (M series).”

(1) Input signals (PMC→CNC)

	#7	#6	#5	#4	#3	#2	#1	#0
G066				RTRCT				

(2) Output signals (CNC→PMC)

	#7	#6	#5	#4	#3	#2	#1	#0
F065		SYNMOD		RTRCTF				

5.8.6 Examples of Sequences

Refer to an applicable CNC Connection Manual (Function) for spindle EGB sequences.

- (a) For Series 16i/18i
 FANUC Series 16i/18i/21i-MODEL B
 CONNECTION MANUAL (FUNCTION) : B-63523EN-1
 Refer to Section 1.14.2, “Spindle Electronic Gear Box (M series).”

5.8.7 List of Related Parameters

Parameter No. 16i	Description
7700#0	Direction for helical compensation
7700#2	Setting for releasing the synchronous control mode at a reset
7709	Axis number for helical gear axial feed axis
7710	Spindle EGB slave axis number
7771	Spindle EGB master axis number
7772	The number of pulses the position sensor generates at each rotation of the tool axis (master axis) (Specify 360,000 for the IS-B.)
7773	The number of pulses the position sensor generates at each rotation of the workpiece axis (slave axis) (Specify 360,000 for the IS-B.)
8005#4	Setting for the type of the PMC axis control constant-speed command function
8028	Time constant for linear-shaped Acc./Dec. in speed command-based continuous feed for each axis in PMC-based axis control
8040	Number of pulses the position sensor generates at each rotation of the spindle on a PMC-controlled axis (Specify 360,000 for the IS-B.)
4016#3	Setting for the feed-forward smoothing function
4352#4	Feed-forward setting
4352#6	Inter-spindle amplifier communication slave axis setting
4352#7	Inter-spindle amplifier communication master axis setting
4036	Feed forward coefficient
4037	Velocity loop feed forward coefficient
4046 4047	Velocity proportional gain on Cs contouring control (This parameter is selected with the PMC input signal CTH1A.)
4054 4055	Velocity integral gain on Cs contouring control (This parameter is selected with the PMC input signal CTH1A.)
4069 to 4072	Position gain on Cs contouring control (This parameter is selected with the PMC input signal CTH1A.)
4386	Number of master-axis spindle sensor teeth
4387	Synchronous ratio numerator
4388	Synchronous ratio denominator
4498	Denominator of the master-axis motor sensor-to-spindle arbitrary gear ratio
4499	Numerator of the master-axis motor sensor-to-spindle arbitrary gear ratio
4396#2	Setting for on-off switching of the EGB command on Cs contouring control

NOTE

- 1 See Section 1.3, "PARAMETERS RELATED TO DETECTORS", in Part I for parameters related to detectors.
- 2 See Section 4.1, "VELOCITY LOOP GAIN ADJUSTMENT", in Part I for velocity loop proportional/integral gain tuning.

5.8.8 Details of Related Parameters

This subsection details the serial spindle parameters related to the EGB (for the 16*i*, parameter Nos. 4000 to 4999). It also briefly describes the parameters related to the position control function for the PMC axis control constant-speed command. Refer to an applicable CNC Connection Manual (Function) for details of other parameters.

(a) For Series 16*i*/18*i*

FANUC Series 16*i*/18*i*/21*i*-MODEL B

CONNECTION MANUAL (FUNCTION) : B-63523EN-1

Refer to Subsection 1.14.2, “Spindle Electronic Gear Box (M series).”

(1) Summary of parameters related to the position control function for the PMC axis control constant-speed command

This paragraph summarizes parameters related to the position control function for the PMC axis control constant-speed command. For details of this function and PMC axis control, refer to the “FANUC Series 16*i*/18*i* PMC Axis Control Function Constant-Speed Command Position Control Function Description: A-63542E” and Section 15.1, “PMC AXIS CONTROL FUNCTION,” of the “FANUC Series 16*i*/18*i*/21*i*-MODEL B Connection Manual (Function) (B-63523EN-1).”

NOTE

To drive the master axis at a constant speed in the Cs contouring control mode, use the position control function for the PMC axis control constant-speed command.

16 <i>i</i>	#7	#6	#5	#4	#3	#2	#1	#0
8005				PMCPOS				

PMCPOS Setting for the type of the PMC axis control constant-speed command function

0 : Velocity control

1 : Position control

To be set to “1”

16*i*

8028

Time constant for linear-shaped Acc./Dec. in speed command-based continuous feed for each axis in PMC-based axis control

Unit of data : 1msec / 1000min⁻¹

Valid data range : 0 to 32767

Standard setting value : 0

Specify the time constant for linear-shaped Acc./Dec. for the PMC-controlled axis.

16i

8040

Number of pulses the position sensor generates at each rotation of the spindle on a PMC-controlled axis

Unit of data : Minimum detection unit
 Valid data range : 1 to 999,999,999
 Standard setting value : 0

Specify the number of pulses the position sensor generates at each rotation of the spindle on a PMC-controlled axis.
 Specify “360,000” for the IS-B.

(2) Details of parameters related to serial spindles

This paragraph details the serial spindle parameters related to the EGB (for the 16i, parameter Nos. 4000 to 4999). See Section 2.4, “Cs CONTOURING CONTROL”, in Part I for details of parameters related to Cs contouring control.

16i

4016

#7	#6	#5	#4	#3	#2	#1	#0
				FFSMTH			

FFSMTH

Setting of smoothing function on feed forward control
 0 : Without smoothing function
 1 : With smoothing function
 Sets the presence of smoothing function on feed forward control of Cs contouring control.
 Specify “1” to use spindle EGB control.

16i

4352

#7	#6	#5	#4	#3	#2	#1	#0
MASTER	SLAVE		FFALWS				

MASTER

Inter-spindle amplifier communication master axis setting
 0 : Non-inter-spindle amplifier communication master axis
 1 : Inter-spindle amplifier communication master axis (Set 1 for the master axis.)

SLAVE

Inter-spindle amplifier communication slave axis setting
 0 : Non-inter-spindle amplifier communication slave axis
 1 : Inter-spindle amplifier communication slave axis (Set 1 for the master axis.)

FFALWS

Feed-forward setting
 0 : Feed-forward is enabled only during cutting feed.
 1 : Feed-forward is always enabled.
 Set 0 for the spindle EGB master axis (first spindle) and 1 for the slave axis (second spindle).

16i
4036**Feed-forward coefficient**Unit of data : 1%
Valid data range : 0 to 100
Standard setting value : 0Set the feed forward coefficient when feed forward control is executed on Cs contouring control.
Set 100 for the spindle EGB slave axis (second spindle).16i
4037**Velocity loop feed forward coefficient**Unit of data :
Valid data range : 0 to 32767
Standard setting value : 0

Set the velocity loop feed forward coefficient when feed forward control is executed on Cs contouring control. Set the following calculation equation.

$$\text{Setting} = 214466 \times \frac{[\text{spindle inertia} + \text{rotor inertia}] (\text{kgm}^2)}{\text{motor maximum torque (Nm)}}$$

16i
4386**Number of master-axis spindle sensor teeth**Unit of data : $1\lambda / \text{rev}$
Valid data range : 0, 64 to 4096
Standard setting value : 0

Specify the number of master-axis spindle sensor teeth (position sensor). If "0" is specified, EGB synchronous ratio is assumed to be "0".

NOTE

This parameter is valid only for the slave axis (second spindle).

16i
4387**Synchronous ratio numerator**Valid data range : -32767 to 32767
Standard setting value : 0

Specify the numerator of a synchronous ratio.

NOTE

This parameter is valid only for the slave axis (second spindle).

16i
4388

Synchronous ratio denominator

Valid data range : 1 to 65535
Standard setting value : 0

Specify the denominator of a synchronous ratio.

NOTE This parameter is valid only for the slave axis (second spindle).
--

16i
4498
4499

Denominator of the master-axis motor sensor-to-spindle arbitrary gear ratio
Numerator of the master-axis motor sensor-to-spindle arbitrary gear ratio

Valid data range : 0 to 32767
Standard setting value : 0

Specify conversion coefficients (numerator and denominator) to be used when the detection arbitrary gear ratio function (DMR function) is used where the master-axis spindle position feedback signal is obtained by multiplying the feedback signal of the master-axis motor sensor (α iM or α iMZ sensor) by the gear ratio.
If the spindle makes Q turns while the motor shaft makes P turns (where P and Q are mutually prime), the settings are:
Parameter No. 4498 = P and parameter No. 4499 = Q
If the parameters are "0", they are assumed to be "1".

NOTE This parameter is valid only for the slave axis (second spindle).
--

16i
4396

#7	#6	#5	#4	#3	#2	#1	#0
					EGBRNX		

EGBRNX Setting for on-off switching of the EGB command on Cs contouring control
0 : Does not carry the remainder of the EGB move command that is produced when the EGB mode is turned off to the next time.
1 : Carries the remainder of the EGB move command that is produced when the EGB mode is turned off to the next time.
Specifies whether to reflect the remaining data of the EGB move command (= synchronous ratio \times travel distance along the master axis) that is produced when the EGB mode is turned off to the next time when the EGB mode is turned on.
Set "1" when repeatedly turning the spindle EGB mode on and off while Cs contouring control is kept on.

NOTE

- *1 This parameter is valid only for the slave axis (second spindle).
- *2 This parameter is valid with 9D50 series X (24) edition or later, 9D70 series M (13) edition or later, and 9D80 series I (09) edition or later.

5.8.9 Diagnosis Signal Related to Spindle EGB

Address	Description	Unit
16 <i>i</i>		
0717	Synchronous error between master and slave axes.(Weight is slave side)	Pulse

NOTE

- 1 Displaying this data on the CNC diagnosis screen requires the αi SP TYPE B and the *i* series MODEL B CNC.
- 2 Displaying this data on the CNC diagnosis screen requires the following CNC software series/editions.
 FS16*i*/160*i*/160is-MB :B0H1 series R(18) edition or later
 FS18*i*/180*i*/180is-MB : BDH1 series R(18) edition or later
 FS18*i*/180*i*/180is-MB5 : BDH5 series H(08) edition or later

5.8.10 Status Errors Related to Spindle EGB

Error No.	Description	Measure
33	Invalid hardware configuration	Check the model of the CNC in use.
34	An attempt was made to enable both the spindle EGB and FAD functions.	To use the spindle EGB function, disable the spindle FAD function.

5.8.11 Alarms**(1) Spindle alarm**

Error No.	Description	Measure
66	An error occurred in inter-spindle amplifier communication.	Check the connection of the cable (JX4).
80	An alarm was issued on the destination amplifier of inter-spindle amplifier communication.	Correct the cause of the alarm on the destination spindle amplifier.

(2) CNC alarm

This subsection lists only the alarms related to the spindle EGB function. Refer to an applicable CNC Connection Manual (Function) for details.

- (a) For Series 16i/18i
FANUC Series 16i/18i-MODEL B
CONNECTION MANUAL (FUNCTION) : B-63523EN-1
Refer to Section 1.14.2, “Spindle Electronic Gear Box (M series).”

Alarm No.	Description
010	A parameter specified for a G81 command is incorrect.
181	The format of a G81 block is incorrect.
184	A command that should not be issued during synchronous control is issued.
186	Incorrect parameter setting for G81: The slave axis has not been specified as a rotary axis.

5.9 DIFFERENTIAL SPINDLE SPEED CONTROL

5.9.1 Overview

The differential spindle speed control function controls the velocity of one spindle (slave axis) relative to the velocity of the other of spindle (master axis).

Applying this function to rigid tapping enables tapping the center of a workpiece while rotating a spindle (master axis) that holds a workpiece at a constant speed. Therefore, the time required for stopping the workpiece axis (master axis) can be reduced.

5.9.2 Series and Editions of Applicable Spindle Software

Spindle software

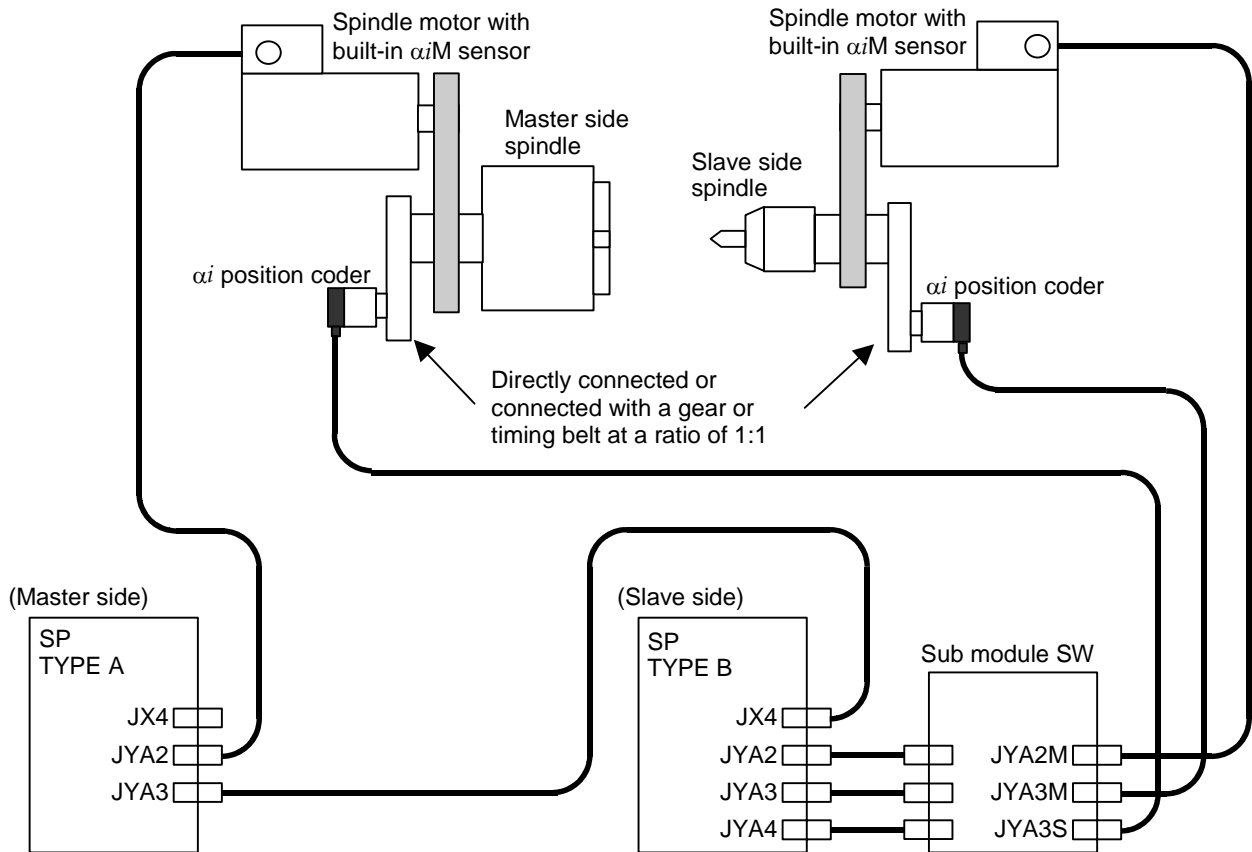
Series	Edition	Usable CNC
9D50	F (06) edition or later	FS16i / FS18i / FS21i , FS0i , FS15i
9D70	A (01) edition or later	FS30i / FS31i / FS32i
9D80	A (01) edition or later	FS16i / FS18i / FS21i , FS0i , FS15i , FS30i / FS31i / FS32i

NOTE

When the α iCZ sensor (serial) is used, this function cannot be used.

5.9.3 Configuration

The following figure shows an example of a configuration used for differential spindle speed control.



NOTE

- 1 The sub module SW (SSW) is required in addition to the spindle amplifier to receive the position coder signal from the master side.
- 2 When the position coder output of connector JX4 is used, spindle amplifier (SP) TYPE B is used (The maximum speed available for the position coder output is 20000 min^{-1}).

5.9.4 Description

- (1) The position coder must be connected to the master side spindle at the ratio of 1:1.
- (2) The position coder signal from the master side received by the sub module SW is output from JX4.
- (3) Differential spindle speed control can be used only during speed control mode or rigid tapping. It cannot be used during Cs contouring control, spindle synchronous control, or spindle orientation.
- (4) When differential spindle speed control is applied to rigid tapping (Differential speed rigid tapping), sum of the velocity of master spindle and the velocity command of rigid tapping for slave spindle must not exceed the maximum speed of slave spindle.
- (5) The master side spindle must be kept at a constant speed during rigid tapping. Acceleration or deceleration cannot be performed.
- (6) Since the output torque of the motor is normally reduced in high-speed rotation areas, the rigid tapping acceleration/deceleration constant must be set to a greater value.

5.9.5 I/O Signals (CNC↔PMC)

(1) Address list of input signals (PMC→CNC)

	15i	16i	30i	#7	#6	#5	#4	#3	#2	#1	#0
1st-	G229	G072	G072					DEFMDA			
2nd-	G237	G076	G076					DEFMDB			

(2) Details of input signals (PMC→CNC)

(a) Speed differential mode specification signal (DEFMDA)

This signal is used to specify whether differential spindle speed mode is enabled.

- 0: Differential spindle speed mode disabled
- 1: Differential spindle speed mode specified

While this signal is set to 1, the spindle is controlled in differential spindle speed mode.

The velocity of the slave axis in differential spindle speed mode is controlled by the sum of the velocity of the master spindle and the velocity command of the slave spindle.

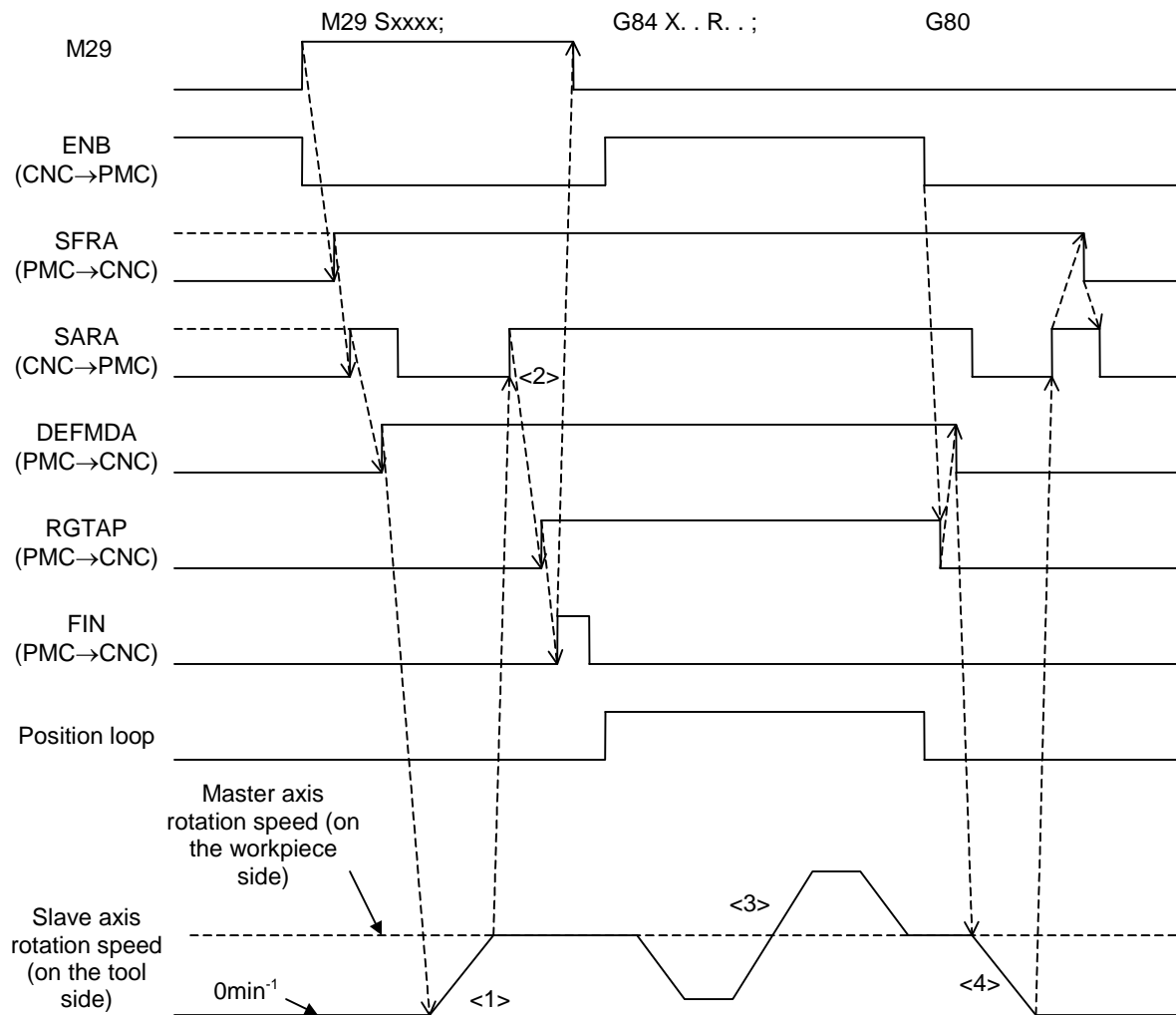
(3) Output signals (CNC→PMC)

There are no output signals.

5.9.6 Examples of Sequences

The following shows examples of sequences used when differential speed rigid tapping is performed using the first spindle as the slave axis (on the tool side).

- <1> When differential spindle speed mode is commanded to slave spindle, the slave spindle accelerates to the velocity of the master spindle.
- <2> After making sure that the slave spindle accelerates to the velocity of the master spindle, start rigid tapping.
- <3> Perform differential speed rigid tapping.
- <4> When the velocity command of the slave spindle is 0 min⁻¹, if differential spindle speed mode is released upon completion of rigid tapping, the slave spindle stops. If the velocity command of the slave spindle is commanded not equal to 0 min⁻¹, the slave spindle accelerates or decelerates to the velocity commanded.



5.9.7 List of Related Parameters

Parameter No.			Description
15i	16i	30i	
3000 #5	4000 #5	4000 #5	Whether the differential spindle speed control function is available (to be set to 1)
3000 #6	4000 #6	4000 #6	Setting of direction for differential spindle speed control
3017 #6	4017 #6	4017 #6	Setting of speed integration operation when differential spindle speed control is exercised

5.9.8 Details of Related Parameters

15i	16i	30i	#7	#6	#5	#4	#3	#2	#1	#0
3000	4000	4000		DEFDRT	DEFFNC					

DEFFNC Whether differential spindle speed control function is available
 0 : Differential spindle speed control is not available
 1 : Differential spindle speed control is available (to be set to 1)

DEFDRT Setting of the direction for differential spindle speed control(feedback polarity on the master side)
 0 : Direction same as the feedback signal
 1 : Direction opposite to the feedback signal

15i	16i	30i	#7	#6	#5	#4	#3	#2	#1	#0
3017	4017	4017								VINTDC

VINTDC This parameter sets speed integration operation when differential spindle speed control is exercised.
 Set this parameter to 1.

NOTE

This parameter is valid with 9D50 series M (13) edition or later, 9D70 series C (03) edition or later, and 9D870 series A (01) edition or later.

5.9.9 Status Errors on Differential Spindle Speed Control

Error No.	Description	Measure
10	Differential spindle speed mode and Cs mode are specified at the same time.	Check the sequences.
12	Differential spindle speed mode is specified during spindle synchronous control.	Check the sequences.
13	Differential spindle speed mode is specified during spindle orientation.	Check the sequences.
16	Differential spindle speed mode is specified with speed differential control disabled.	Check the parameter settings and sequences.

5.10 DUAL POSITION FEEDBACK FUNCTION (OPTIONAL FUNCTION)

5.10.1 Overview

When position control is performed by Cs contouring control or rigid tapping with a machine having a large backlash, vibration can be generated in closed loop mode while stable operation is possible in semi-closed loop mode. For such a machine system, the dual position feedback function provides stable control equivalent to control in semi-closed loop mode.

NOTE

- 1 To use this function, a CNC software option for Cs contouring control or rigid tapping is required.
- 2 Here, the semi-closed loop refers to positional control by motor sensor, and the closed loop refers to positional control by spindle sensor.
- 3 The dual position feedback function cannot be used on the spindle switch control SUB side.

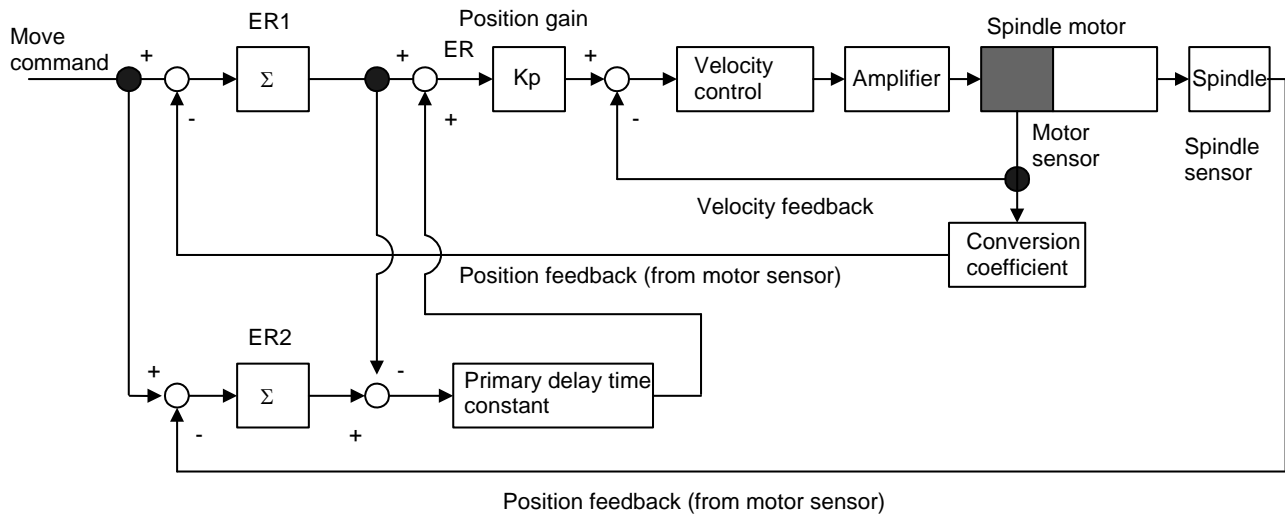
5.10.2 Series and Editions of Applicable Spindle Software

Spindle software

Series	Edition	Usable CNC	Remarks
9D50	A (01) edition or later	FS16 <i>i</i> / FS18 <i>i</i> / FS21 <i>i</i> , FS0 <i>i</i> , FS15 <i>i</i>	Only the dual position feedback function under Cs contouring control is supported.
	M (13) edition or later		The dual position feedback function in the servo mode (rigid tapping/spindle positioning) is supported.
9D70	A (01) edition or later	FS30 <i>i</i> / FS31 <i>i</i> / FS32 <i>i</i>	Only the dual position feedback function under Cs contouring control is supported.
	C (03) edition or later		The dual position feedback function in the servo mode (rigid tapping/spindle positioning) is supported.
9D80	A (01) edition or later	FS16 <i>i</i> / FS18 <i>i</i> / FS21 <i>i</i> , FS0 <i>i</i> , FS15 <i>i</i> , FS30 <i>i</i> / FS31 <i>i</i> / FS32 <i>i</i>	

5.10.3 Block Diagram

The following shows a block diagram of dual position feedback:



Position feedback (from the spindle sensor)

As shown in the above diagram, error counter ER1 in the semi-closed loop and error counter ER2 in the closed loop are prepared. The primary delay time constant is expressed as follows:

$$\text{Primary delay time constant} = (1 + \tau s)^{-1}$$

Here, consider actual error ER by time constant.

- (1) When time constant $\tau = 0$: $(1 + \tau s)^{-1} = 1$
 $ER = ER1 + (ER2 - ER1) = ER2$ (error counter in the closed loop)
- (2) When time constant $\tau = \infty$: $(1 + \tau s)^{-1} = 0$
 $ER = ER1$ (error counter in the semi-closed loop)

From the primary delay time constant, control can be provided in the semi-closed loop when a transition state is present, and control can be provided in the closed loop when positioning is performed. According to this principle, vibration during movement can be suppressed to a level equivalent to the level obtained in the semi-closed loop.

5.10.4 List of Related Parameters

Parameter No.			Description
15i	16i	30i	
3014#7	4014#7	4014#7	Setting of dual position feedback
3171	4171	4171	Denominator of conversion coefficient
3173	4173	4173	(Selected by spindle control input signal CTH1A)
3172	4172	4172	Numerator of conversion coefficient
3174	4174	4174	(Selected by spindle control input signal CTH1A)
3215	4215	4215	Primary delay time constant in dual position feedback [in Cs contouring control]
3224	4224	4224	Maximum amplitude in dual position feedback [in Cs contouring control]
3225	4225	4225	Dual position feedback zero width [in Cs contouring control]
3354	4354	4354	Excessive semi-closed loop/closed loop position error alarm detection level [in Cs contouring control]
3520	4520	4520	Primary delay time constant in dual position feedback [in servo mode]
3521	4521	4521	Maximum amplitude in dual position feedback [in servo mode]
3522	4522	4522	Dual position feedback zero width [in servo mode]
3523	4523	4523	Excessive semi-closed loop/closed loop position error alarm detection level [in servo mode]

NOTE

- 1 This subsection lists only those parameters that are specific to dual position feedback. For parameters related to Cs contouring control, see Section 2.4, "Cs CONTOURING CONTROL", in Part I. For parameters related to rigid tapping, see Section 2.3, "RIGID TAPPING", in Part I.
- 2 The dual position feedback function (FS16i: No. 4520 to No. 4522) in the servo mode (rigid tapping/spindle positioning) is usable with the following series and editions:
 9D50 series M edition (13 edition) or later
 9D70 series C edition (03 edition) or later
 9D80 series A edition (01 edition) or later

5.10.5 Details of Related Parameters

15i	16i	30i	#7	#6	#5	#4	#3	#2	#1	#0
3014	4014	4014	DUALFB							

DUALFB Setting of dual position feedback
 0 : Disables dual position feedback.
 1 : Enables dual position feedback.
 To use the dual position feedback function, set "1".

15i 16i 30i
 3171 4171 4171
 3172 4172 4172
 3173 4173 4173
 3174 4174 4174

Denominator of conversion coefficient (HIGH)	CTH1A=0
Numerator of conversion coefficient (HIGH)	CTH1A=0
Denominator of conversion coefficient (LOW)	CTH1A=1
Numerator of conversion coefficient (LOW)	CTH1A=1

Unit of data :
 Valid data range : 0 to 32767
 Standard setting value : 0

These parameters are used to obtain the feedback amount for one rotation of the spindle from the position feedback signal in the semi-closed loop (the position feedback signal from the motor sensor) when the spindle rotates one turn.

When the spindle rotates Q turns while the motor shaft rotates P turns (P and Q are mutually prime integers), the parameters are set as follows:

No. 4171 (No. 4173 if CTH1A = 1) = P

No. 4172 (No. 4174 if CTH1A = 1) = Q

If these parameters are set to "0", "1" is assumed to be set in the parameters.

15i 16i 30i
 3215 4215 4215

Primary delay time constant in dual position feedback [in Cs contouring control]

Unit of data : 1msec
 Valid data range : 0 to 32767
 Standard setting value : 0

This parameter sets a primary delay time constant in dual position feedback when Cs contouring control is exercised.

If hunting occurs during acceleration/deceleration, set a larger value.

If this parameter is set to 0, the same setting as for a closed loop (= dual position feedback disabled) results.

Setting "32767" provides control equivalent to the semi-closed loop.

15i 16i 30i
 3224 4224 4224

Maximum amplitude in dual position feedback [in Cs contouring control]

Unit of data : 64 pulses (=0.064deg)
 Valid data range : 0 to 32767
 Standard setting value : 0

This parameter sets a maximum amplitude in dual position feedback when Cs contouring control is exercised.

If an error between the position in the semi-closed loop and the position in the closed loop exceeds the setting, correction clamping occurs.

If "0" is set, correction clamping does not occur.

15i 16i 30i
3225 4225 4225

Dual position feedback zero width	[in Cs contouring control]
--	-----------------------------------

Unit of data : 1 pulse (=0.001deg)
Valid data range : 0 to 32767
Standard setting value : 0

This parameter sets a dual position feedback zero width when Cs contouring control is exercised.

Positioning is performed so that the difference in position between the closed loop and semi-closed loop does not exceed the pulse width equivalent to the parameter-set value.

Set "0" first, and if an unstable condition is observed when the machine is stopped, increase the setting.

15i 16i 30i
3354 4354 4354

Excessive semi-closed loop/closed loop position error alarm detection level	[in Cs contouring control]
--	-----------------------------------

Unit of data : 64 pulses (=0.064deg)
Valid data range : 0 to 32767
Standard setting value : 0

This parameter sets an excessive semi-closed loop/closed loop position error alarm (spindle alarm 61) when Cs contouring control is exercised.

When the position difference (semi-closed loop/closed loop position error) between the semi-closed loop and the closed loop exceeds the value set in this parameter, the alarm (spindle alarm 61) is issued.

15i 16i 30i
3520 4520 4520

Primary delay time constant in dual position feedback[in servo mode]

Unit of data : 1msec
Valid data range : 0 to 32767
Standard setting value : 0

This parameter sets a primary delay time constant in dual position feedback in the servo mode (rigid tapping/spindle positioning).

If hunting occurs during acceleration/deceleration, set a larger value.

If this parameter is set to 0, the same setting as for a closed loop (= dual position feedback disabled) results.

Setting "32767" provides control equivalent to the semi-closed loop.

NOTE

This parameter is valid with 9D50 series M (13) edition or later, 9D70 series C (03) edition or later, and 9D80 series A (01) edition or later.

15i 16i 30i
3521 4521 4521

Maximum amplitude in dual position feedback	[in servo mode]
--	------------------------

Unit of data : 1 pulse unit (=360/4096 degrees)
Valid data range : 0 to 4095
Standard setting value : 0

This parameter sets a maximum amplitude in dual position feedback in the servo mode (rigid tapping/spindle positioning).

If an error between the position in the semi-closed loop and the position in the closed loop exceeds the setting, correction clamping occurs.

If "0" is set, correction clamping does not occur.

If a value not within the valid data range is set, the value is clamped to the maximum allowable value.

NOTE

This parameter is valid with 9D50 series M (13) edition or later, 9D70 series C (03) edition or later, and 9D80 series A (01) edition or later.

15i 16i 30i
3522 4522 4522

Dual position feedback zero width	[in servo mode]
--	------------------------

Unit of data : 1 pulse unit (=360/4096 degrees)
Valid data range : 0 to 4095
Standard setting value : 0

This parameter sets a dual position feedback zero width in the servo mode (rigid tapping/spindle positioning).

Positioning is performed so that the difference in position between the closed loop and semi-closed loop does not exceed the pulse width equivalent to the parameter-set value.

Set "0" first, and if an unstable condition is observed when the machine is stopped, increase the setting.

If a value not within the valid data range is set, the value is clamped to the maximum allowable value.

NOTE

This parameter is valid with 9D50 series M (13) edition or later, 9D70 series C (03) edition or later, and 9D80 series A (01) edition or later.

15i	16i	30i
3523	4523	4523

Excessive semi-closed loop/closed loop position error alarm detection level
[in servo mode]

Unit of data : 1 pulse unit (=360/4096 degrees)
Valid data range : 0 to 4095
Standard setting value : 0

This parameter sets an excessive semi-closed loop/closed loop position error alarm (spindle alarm 61) in the servo mode (rigid tapping/spindle positioning).

When the position difference (semi-closed loop/closed loop position error) between the semi-closed loop and the closed loop exceeds the value set in this parameter, the alarm (spindle alarm 61) is issued.

If a value not within the valid data range is set, the value is clamped to the maximum allowable value.

NOTE

This parameter is valid with 9D50 series M (13) edition or later, 9D70 series C (03) edition or later, and 9D80 series A (01) edition or later.

5.10.6 Spindle Alarm

Error No.	Description	Measure
61	The difference (semi-closed loop/closed position error) between the semi-closed loop and the closed loop exceeds the set value.	Correct the cause of the semi-closed loop/closed position error.

5.11 TORQUE TANDEM CONTROL FUNCTION (OPTIONAL FUNCTION)

5.11.1 Overview

The torque tandem control function controls two mechanically connected spindle motors by using the same torque command.

NOTE

- 1 To use this function, the CNC software option (spindle tandem control) is required.
- 2 To use this function, SP TYPE B is required.
- 3 When this function is used, the spindle amplifiers and spindle motors of the master and slave must be of the same model.
- 4 For the master and slave axes, use the spindle software of the same series and edition.
- 5 This function cannot be used together with the following functions:
 - Spindle synchronous control function
 - Speed range switching function
 - Spindle switching function
 - Position coder signal output function
 - Spindle EGB function
 - Spindle leaning control function
 - Synchronous built-in spindle motor driving
- 6 No limitation is imposed on master and slave axis assignment.
In the descriptions below, the following assignment is used for convenience:
Master spindle amplifier: First spindle
Slave spindle amplifier: Second spindle

5.11.2 Series and Editions of Applicable Spindle Software

Spindle software

Series	Edition	Usable CNC
9D50	M (13) edition or later	FS16i / FS18i / FS15i
9D70	C (03) edition or later	FS30i / FS31i
9D80	A (01) edition or later	FS16i / FS18i , FS15i , FS30i / FS31i

NOTE

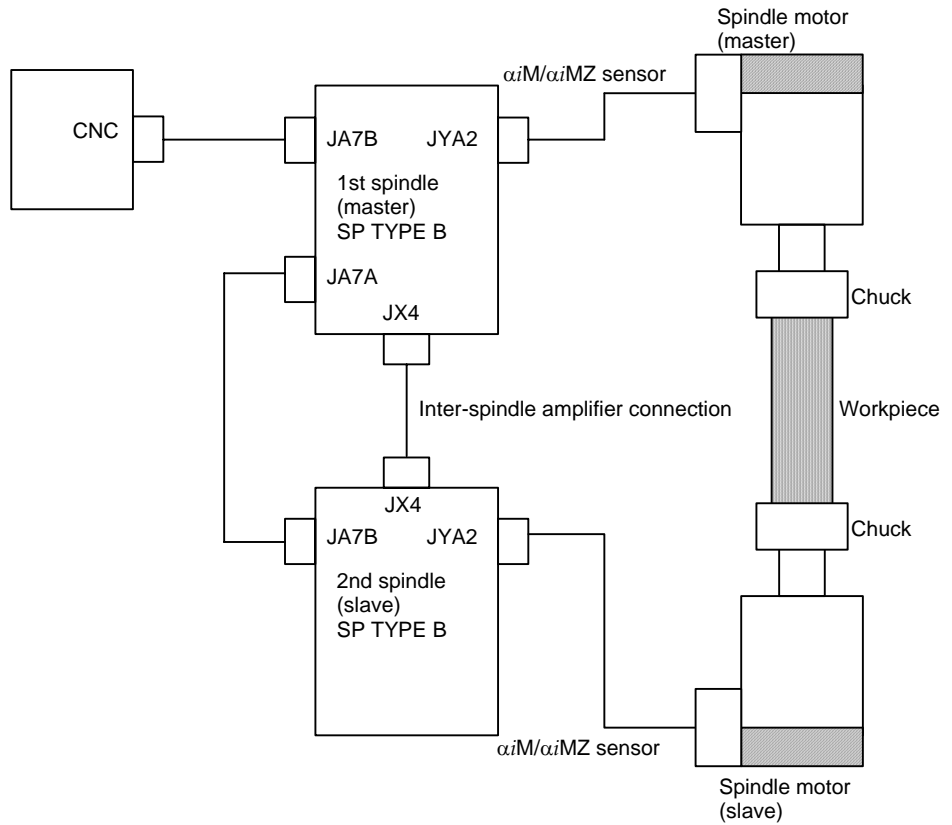
When the α iCZ sensor (serial) is used, this function cannot be used.

5.11.3 System Configuration

NOTE

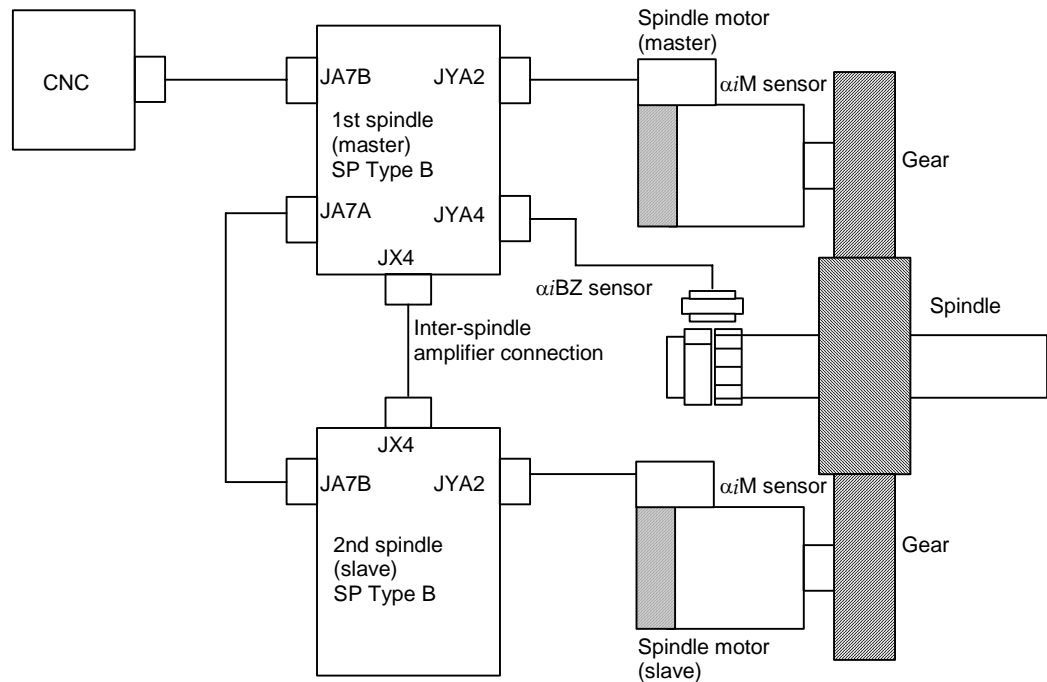
- 1 For connection details of each cable, refer to “FANUC SERVO AMPLIFIER αi series DESCRIPTIONS (B-65282EN)”.
- 2 The common power supply (PS) emergency stop signal (connector CX4) needs to be input for each common power supply (PS).

(1) Sample configuration 1: System where the master spindle and slave spindle are mechanically connected or disconnected when a workpiece is attached or detached



NOTE

When the master and slave are mechanically disconnected, torque tandem control cannot be used. In this case, cancel the tandem operation mode.

(2) Sample configuration 2: System where the table axis is driven by two motors**5.11.4 I/O Signals (CNC \leftrightarrow PMC)****NOTE**

- 1 A command for the spindles engaged in tandem operation is issued to the master spindle amplifier. The input signal specifications are the same as for ordinary spindles (for which the torque tandem function is not used).
For details of signals used in each control mode, see Chapter 3, "I/O SIGNALS", in Part I.
- 2 During tandem operation, no signal needs to be input from the PMC to the tandem function slave spindle amplifier. Those signals that are required to drive the slave spindle amplifier are transferred from the master spindle amplifier by inter-spindle amplifier communication.
- 3 During tandem operation, use a signal output from the master spindle amplifier for sequence determination (such as speed arrival determination and alarm detection). (No signal output from the slave spindle amplifier is needed.)

(1) Input signals (PMC→CNC)

	15i	16i	30i	#7	#6	#5	#4	#3	#2	#1	#0
1st-	G226	G071	G071				SOCNA				
2nd-	G234	G075	G075				SOCNB				

SOCNA Soft start/stop signal (for the first spindle)
SOCNB Soft start/stop signal (for the second spindle)

0 : Disables the soft start/stop function.
 1 : Enables the soft start/stop function.
 These signals enable or disable the soft start/stop function.
 Use these signals when limiting the specified acceleration rate to reduce a mechanical shock during acceleration/deceleration.
 During tandem operation (SLVx = 1), the signals need not be input to the slave spindle amplifier.

	15i	16i	30i	#7	#6	#5	#4	#3	#2	#1	#0
1st-	G228	G073	G073						MPOFA	SLVA	
2nd-	G236	G077	G077						MPOFB	SLVB	

SLVA Tandem operation command (for the first spindle)
SLVB Tandem operation command (for the second spindle)

0 : Makes a request to disable tandem operation.
 1 : Makes a request to enable tandem operation.
 These signals enable or disable tandem operation.
 When using the torque tandem function, set these signals to 1 for both of the master and slave.

NOTE

- 1 Both of the master and slave must be stopped before these signals can be switched. During rotation, these signals cannot be accepted.
- 2 Switch these signals in the speed control mode. In a mode other than the speed control mode, these signals cannot be accepted.
- 3 When the master and slave are mechanically disconnected with each other, do not set these signals to 1.

MPOFA Motor power turn-off signal (for the first spindle)
MPOFB Motor power turn-off signal (for the second spindle)

0 : Normal operation
 1 : Turns off the power to the motor.
 These signals turn off the power to the motor.
 During tandem operation (SLVx = 1), these signals need not be input to the slave spindle amplifier.

NOTE
 If an error such as an excessive master-slave speed difference is detected when torque tandem operation is enabled, the power to both of the master motor and slave motor must be turned off simultaneously to minimize damage to the machine. In such a case, be sure to turn off the power to both motors by using these signals.

(2) Output signals (CNC→PMC)

	15i	16i	30i	#7	#6	#5	#4	#3	#2	#1	#0
1st-	F229	F045	F045							SSTA	
2nd-	F245	F049	F049							SSTB	

SSTA Speed zero detection signal (for the first spindle)

SSTB Speed zero detection signal (for the second spindle)

0 : The spindle motor is rotating.

1 : The spindle motor is in the speed zero (stopped) state.

After checking that these signals are set to 1 with both of the master and slave, switch the tandem operation command SLVx.

When these signals are set to 0, the tandem operation command cannot be accepted.

	15i	16i	30i	#7	#6	#5	#4	#3	#2	#1	#0
1st-	F228	F046	F046				SLVSA				
2nd-	F244	F050	F050				SLVSB				

SLVSA Tandem operation state signal (for the first spindle)

SLVSB Tandem operation state signal (for the second spindle)

0 : Tandem operation is disabled.

1 : Tandem operation is enabled.

After checking that these signals are set to 1 with both of the master and slave, issue a command to the master spindle amplifier.

	15i	16i	30i	#7	#6	#5	#4	#3	#2	#1	#0
1st-	F231	F047	F047						MSOVRA		
2nd-	F247	F051	F051						MSOVRB		

MSOVRA Master-slave speed difference state signal(for the first spindle)

MSOVRB Master-slave speed difference state signal (for the second spindle)

0 : The speed difference between the master and slave is less than the set value.

1 : The speed difference between the master and slave is equal to or greater than the set value.

These signals indicate whether or not the speed difference between the master motor and slave motor is less than the value set in the parameter (FS16i: No. 4347).

The signal for the slave spindle amplifier need not be monitored. (At all times, 0 is output.)

 **CAUTION**

- *1 If a motor feedback signal disconnection alarm (spindle alarm 73) is issued, the status of this signal is undefined.
- *2 When bit 5 of parameter No. 4007 is set to "1", the detection operation of the feedback signal disconnection alarm is not performed.
Set the parameter to "0" when not required, to enable alarm detection.

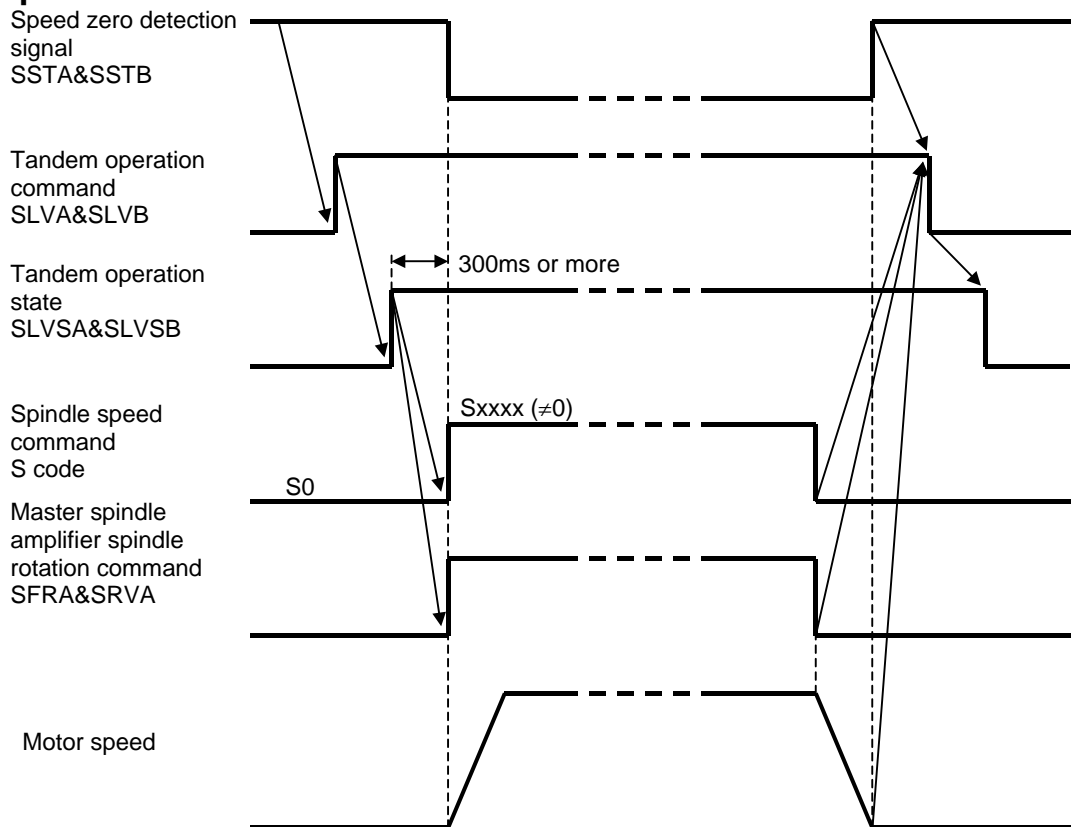
NOTE

Monitor the states of these signals on the PMC.
Ensure that an alarm is issued if an error occurs (for example, if the state of 1 lasts for a certain period of time).

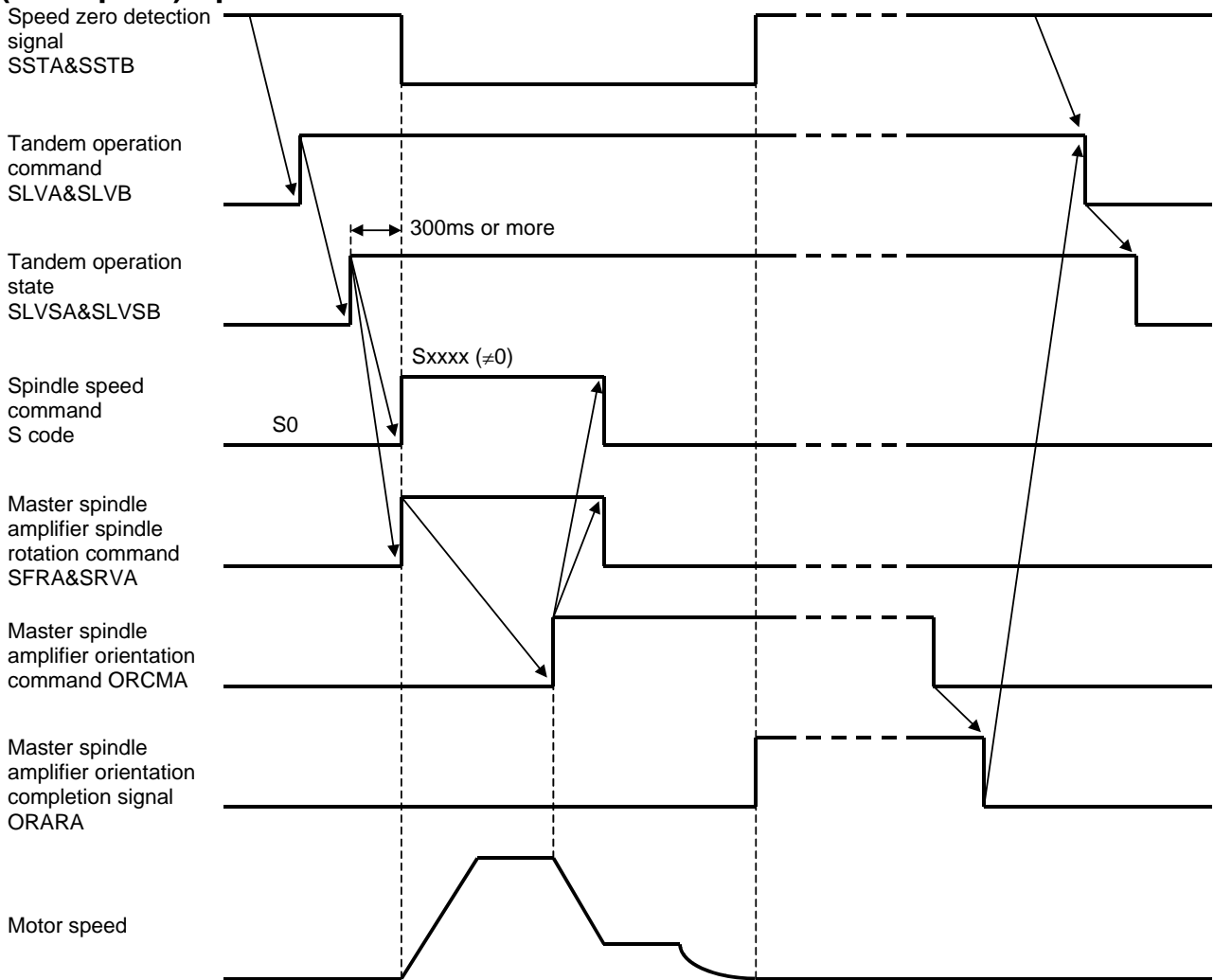
5.11.5 Examples of Sequences

NOTE
 Examples of sequences are given below assuming the following:
 First spindle: Master spindle amplifier
 Second spindle: Slave spindle amplifier

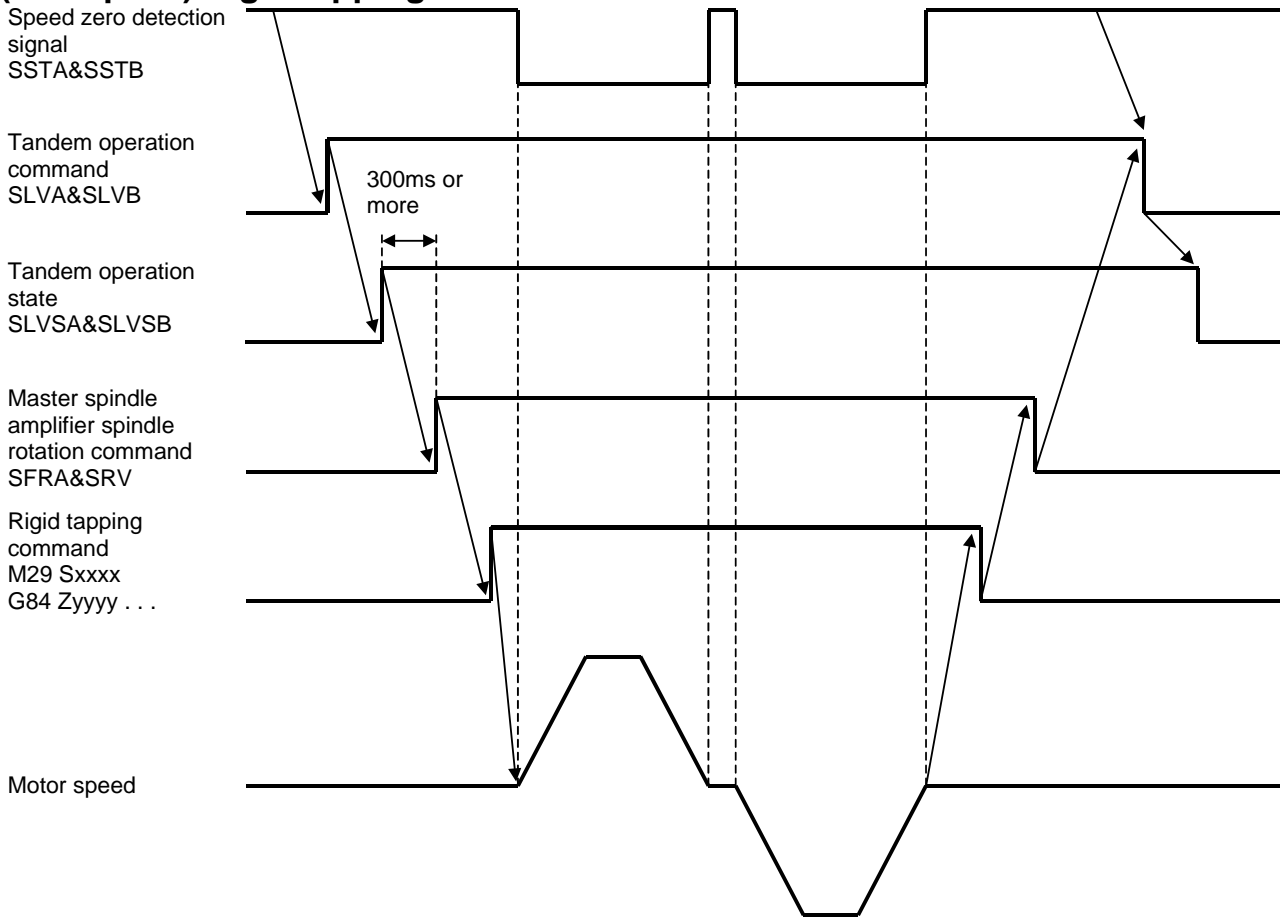
(Example 1) Speed control mode



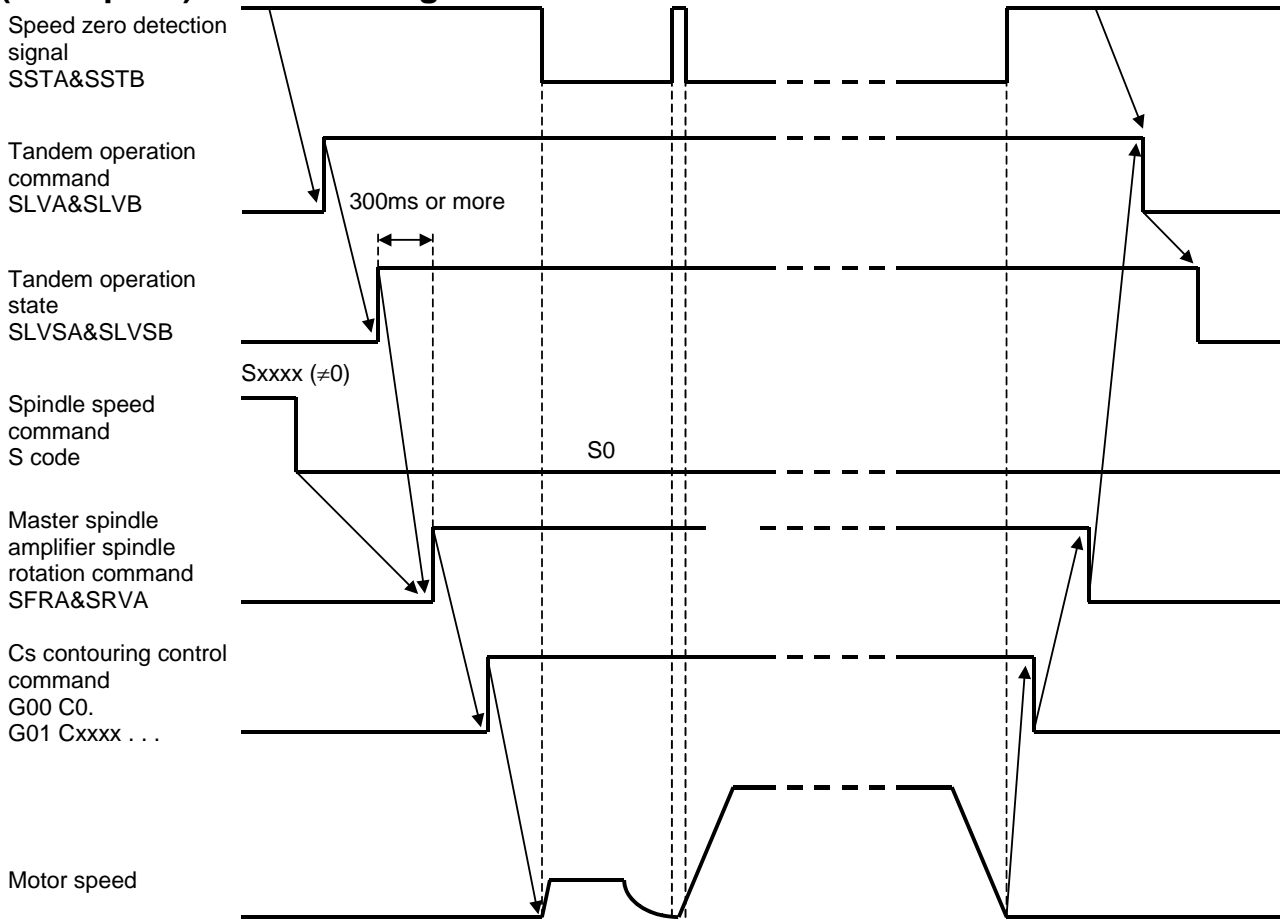
(Example 2) Spindle orientation



(Example 3) Rigid tapping



(Example 4) Cs contouring control



5.11.6 Parameters

(1) Cautions

For the master spindle amplifier and slave spindle amplifier, set the same parameters except for the following specific parameters:

Parameter No.			Description	Master setting	Slave setting
15i	16i	30i			
3002 #3 to #0	4002 #3 to #0	4002 #3 to #0	Spindle sensor type	Depending on the spindle configuration	Depending on the spindle configuration
3353#2	4353#2	4353#2	Relationship of master/slave motor rotation directions in torque tandem operation	Depending on the spindle configuration	0
3352#7,#6	4352#7,#6	4352#7,#6	Inter-spindle amplifier communication setting	1, 0	0, 1
3360	4360	4360	Preload value	Machine by machine (adjustment value)	0

(2) List of parameters

Parameter No.			Description
15i	16i	30i	
3009#2	4009#2	4009#2	Motor power turn-off method when spindle alarm 24 (serial data transfer error) is issued
3353#2	4353#2	4353#2	Relationship of master/slave motor rotation directions in torque tandem operation
3015#3	4015#3	4015#3	Whether to use the spindle tandem function
3353#1	4353#1	4353#1	Velocity feedback signal setting in torque tandem operation
3398#3	4398#3	4398#3	Whether to use the twin drive function
3398#6	4398#6	4398#6	Whether to detect a speed polarity error (spindle alarm d0) in torque tandem operation
3352#6	4352#6	4352#6	Inter-spindle amplifier communication slave axis setting
3352#7	4352#7	4352#7	Inter-spindle amplifier communication master axis setting
3347	4347	4347	Master-slave speed difference state signal output setting
3360	4360	4360	Preload value

(3) Details of Parameters

15i 16i 30i
 3009 4009 4009

#7	#6	#5	#4	#3	#2	#1	#0
					ALSP		

ALSP Motor power turn-off method when spindle alarm 24 (serial data transfer error) is issued
 0 : Turns off the power after the motor is decelerated to a stop.
 1 : Turns off the power immediately. (Set this parameter to 1.)

NOTE
 If an alarm is issued during torque tandem operation, the power to both of the master motor and slave motor must be turned off simultaneously to prevent the machine from being damaged. When using the torque tandem function, be sure to set this parameter to 1 to turn off the power to the motors immediately if a CNC-SP communication error occurs.

15i 16i 30i
 3015 4015 4015

#7	#6	#5	#4	#3	#2	#1	#0
				SPDTDM			

SPDTDM Whether to use the spindle tandem function (The CNC software option is required.)
 0 : Does not use the spindle tandem function.
 1 : Uses the spindle tandem function.

NOTE
 If this bit is set to 0, the torque tandem function does not operate normally. When this bit is set to 0, check the software option.

15i 16i 30i
 3352 4352 4352

#7	#6	#5	#4	#3	#2	#1	#0
MASTER	SLAVE						

SLAVE Inter-spindle amplifier communication slave axis setting
 0 : Non-inter-spindle amplifier communication slave axis
 1 : Inter-spindle amplifier communication slave axis (Set this parameter to 1 for the slave spindle amplifier.)

MASTER Inter-spindle amplifier communication master axis setting
 0 : Non-inter-spindle amplifier communication master axis
 1 : Inter-spindle amplifier communication master axis (Set this parameter to 1 for the slave spindle amplifier.)

15i 16i 30i
3353 4353 4353

#7	#6	#5	#4	#3	#2	#1	#0
					RVSVC2	VFBAV	

VFBAV Velocity feedback signal setting in torque tandem operation
 0 : For speed control, the master spindle amplifier motor speed only is used.
 1 : For speed control, the average speed of the master spindle amplifier and slave spindle amplifier is used.
 By exercising speed control using the average speed feedback value of the master and slave, vibration caused by spindle backlash may be suppressed.

RVSVC2 Relationship of master/slave motor rotation directions in torque tandem operation
 0 : The master motor and slave motor rotate in the same direction at spindle rotation time (as viewed from the motor shaft).
 1 : The master motor and slave motor rotate in the opposite directions at spindle rotation time (as viewed from the motor shaft).
 This parameter sets the polarity for a speed command and feedback signal in torque tandem operation.

NOTE

- 1 This parameter need not be set for the slave spindle amplifier side. (The setting for the master spindle amplifier is transferred to the slave spindle amplifier by inter-spindle amplifier communication.)
- 2 If the setting of this parameter is improper, the torque tandem function does not operate normally. If the spindle is rotated in this state, the speed polarity error alarm (spindle alarm d0) is issued in torque tandem operation.

15i 16i 30i
3398 4398 4398

#7	#6	#5	#4	#3	#2	#1	#0
	A130DN			WNDTDM			

WNDTDM Whether to use the twin drive function
 Set this parameter to 0.

NOTE

If this bit is set to 1, the torque tandem function does not operate normally. Be sure to set this bit to 0.

A130DN Whether to detect a speed polarity error (spindle alarm d0) in torque tandem operation
 0 : Detects the error.
 1 : Does not detect the error.

15i 16i 30i
3347 4347 4347

Master-slave speed difference state signal output setting
--

Unit of data : 1min^{-1}
 *(10min^{-1} when bit 2 (SPDUNT) of parameter No. 4006 is set to 1)
 Valid data range : 0 to 32767
 Standard setting value : 0
 This parameter sets a level for detecting the master-slave speed difference state signal (MSOVRA:F47#2, MSOVRB:F51#2).
 If this parameter is set to 0, the setting of 100 is assumed.

15i 16i 30i
3360 4360 4360

Preload value

Unit of data : ± 16384 equivalent to a torque command of 100%
 Valid data range : -8192 to 8192(-50% to +50%)
 Standard setting value : 0
 This parameter sets a preload value.
 This parameter may suppress stop-time vibration caused by backlash.

NOTE

<p>This parameter need not be set for the slave spindle amplifier side. (The setting for the master spindle amplifier is transferred to the slave spindle amplifier by inter-spindle amplifier communication.)</p>
--

5.11.7 Alarm and Status Error

(1) Spindle alarm

Alarm No.	Description	Measure
66	An inter-spindle amplifier communication error occurred.	Check the connection of the cable (JX4).
80	An alarm was issued on the destination spindle amplifier of inter-SPM communication.	Correct the cause of the alarm on the destination spindle amplifier.
d0	The relationship between the speed polarity of the master motor and the speed polarity of the slave motor is abnormal.	Check the rotation direction relationship setting (FS16i: Bit 2 of No. 4353).

(2) Spindle amplifier status error

Error No.	Description	Measure
21	A tandem operation command was input when spindle synchronous control is enabled.	Input a tandem operation command after canceling spindle synchronous control.
22	Spindle synchronous control was specified when tandem operation is enabled.	Specify spindle synchronous control after canceling torque tandem operation.
23	A tandem operation command is input even if the option is not specified.	Torque tandem control requires the CNC software option. Check the option.
38	<ul style="list-style-type: none"> - Parameters related to inter-spindle amplifier communication are not set correctly. - Functions that cannot be used together with the torque tandem function are set. 	Check the parameters.

5.12 MAGNETIC SENSOR METHOD SPINDLE ORIENTATION (OPTIONAL FUNCTION)

5.12.1 Overview

Magnetic sensor method spindle orientation is a function for stopping the spindle at a specified position by receiving a position feedback signal from a magnetic sensor directly attached to the spindle of the machine.

NOTE

- 1 To use this function, the CNC software option (spindle orientation) is required.
- 2 To use this function, SP TYPE B is required.

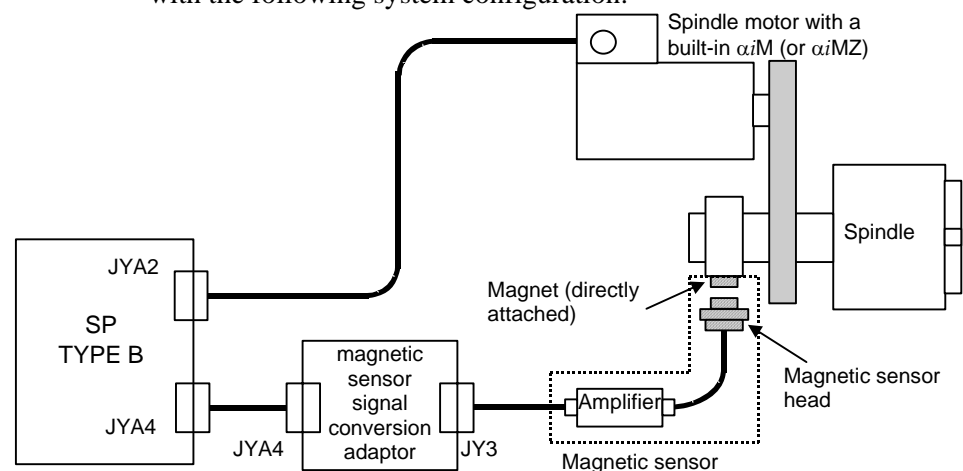
5.12.2 Series and Editions of Applicable Spindle Software

Spindle software

Series	Edition	Usable CNC
9D50	F (06) edition or later	FS16i / FS18i / FS21i , FS0i , FS15i
9D70	A (01) edition or later	FS30i / FS31i / FS32i
9D80	A (01) edition or later	FS16i / FS18i / FS21i , FS0i , FS15i , FS30i / FS31i / FS32i

5.12.3 System Configuration

The magnetic sensor method spindle orientation function can be used with the following system configuration:



NOTE

For the hardware specifications of the magnetic sensor and magnetic sensor signal conversion adaptor and connection details of each cable, refer to "FANUC SERVO AMPLIFIER α i series DESCRIPTIONS (B-65282EN)".

5.12.4 I/O Signals (CNC↔PMC)

The specifications of I/O signals are the same as for position coder method spindle orientation. For details of the specifications, see Section 2.2, "POSITION CODER METHOD SPINDLE ORIENTATION", in Part I.

(1) Address list of input signals (PMC→CNC)

	15i	16i	30i	#7	#6	#5	#4	#3	#2	#1	#0
1st-	G227	G070	G070		ORCMA			CTH1A	CTH2A		
2nd-	G235	G074	G074		ORCMB			CTH1B	CTH2B		

(2) Address list of output signals (CNC→PMC)

	15i	16i	30i	#7	#6	#5	#4	#3	#2	#1	#0
1st-	F229	F045	F045	ORARA							
2nd-	F245	F049	F049	ORARB							

5.12.5 Sequence

The sequence is the same as for position coder method spindle orientation. For details of the specifications, see Section 2.2, "POSITION CODER METHOD SPINDLE ORIENTATION", in Part I.

5.12.6 Parameters

(1) List of parameters

Parameter No.			Description
15i	16i	30i	
3015 #0	4015 #0	4015 #0	Whether the spindle orientation function is available (to be set to "1") (The CNC software option is required.)
3001 #3	4001 #3	4001 #3	Magnetic sensor attachment direction
3003 #0	4003 #0	4003 #0	Whether to use the position coder method spindle orientation function or magnetic sensor method spindle orientation function (to be set to 1 to use the magnetic sensor method)
3003 #3,#2	4003 #3,#2	4003 #3,#2	Rotation direction for spindle orientation
3042 3043	4042 4043	4042 4043	Velocity proportional gain on orientation (These parameters are selected with the input signal CTH1A.)
3050 3051	4050 4051	4050 4051	Velocity integral gain on orientation (These parameters are selected with the input signal CTH1A.)
3056 to 3059	4056 to 4059	4056 to 4059	Gear ratio data between spindle and motor (These parameters are selected with the input signals CTH1A and CTH2A.)
3060 to 3063	4060 to 4063	4060 to 4063	Position gain on orientation (These parameters are selected with the input signals CTH1A and CTH2A.)
3064	4064	4064	Ratio of position gain change upon completion of spindle orientation
3075	4075	4075	Orientation completion signal detection level
3076	4076	4076	Spindle orientation speed limit ratio
3077	4077	4077	Orientation stop position shift value
3078	4078	4078	MS signal constant
3079	4079	4079	MS signal gain adjustment
3084	4084	4084	Motor voltage on spindle orientation
3038	4038	4038	Spindle orientation speed

(2) Details of parameters

15i	16i	30i	#7	#6	#5	#4	#3	#2	#1	#0
3001	4001	4001					MGDIR			

MGDIR

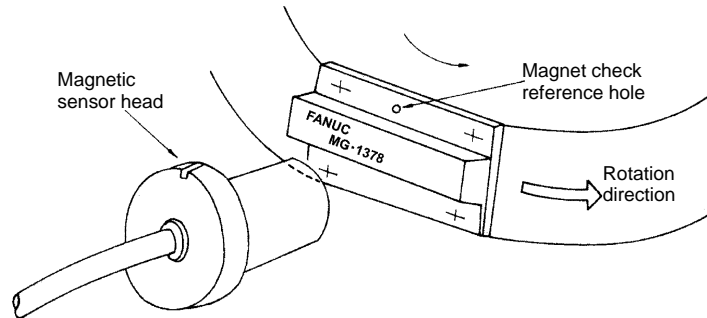
Magnetic sensor attachment direction

0 : The motor and magnetic sensor rotate in the opposite directions.

1 : The motor and magnetic sensor rotate in the same direction.

The spindle motor rotates counterclockwise as viewed from the motor shaft when the forward rotation command SFRA = 1.

Make such an arrangement that the check hole of the magnet and the pin groove of the magnetic sensor face each other so that the magnetic sensor and magnet rotate in the directions shown in the figure below when SFRA = 1. In this case, set this bit to 1. If the arrangement is opposite to that shown in the figure below, set this bit to 0.



NOTE
 Note that the specification of this parameter is different from the α series.

15i 16i 30i
 3003 4003 4003

#7	#6	#5	#4	#3	#2	#1	#0
				DIRCT2	DIRCT1		PCMGS�

DIRCT1, DIRCT2

Rotation direction at spindle orientation

DIRCT2	DIRCT1	Rotation direction
0	0	By rotation direction immediately before (CCW for the first-time spindle orientation after the power is switched on)
0	1	By rotation direction immediately before (CW for the first-time spindle orientation after the power is switched on)
1	0	CCW direction looking from shaft of motor
1	1	CW direction looking from shaft of motor

PCMGS� : Orientation method selection
 Set this bit to 1 (magnetic sensor method).

15i 16i 30i
 3038 4038 4038

Spindle orientation speed

Unit of data : 1min^{-1}
 (* 10min^{-1} when bit 2 (SPDUNT) of parameter No. 4006 is set to 1)
 Valid data range : 0 to 32767
 Standard setting value : 0

This data is used to set an orientation speed at the spindle end.
 If this data is set to 0, an orientation speed is determined from the position gain and the motor speed limit ratio in orientation.

15i 16i 30i
 3042 4042 4042
 3043 4043 4043

Velocity proportional gain on orientation (HIGH)	CTH1A=0
Velocity proportional gain on orientation (LOW)	CTH1A=1

Unit of data :
 Valid data range : 0 to 32767
 Standard setting value : 10

This data is used to set the velocity loop proportional gain on spindle orientation.
 When the input signal CTH1A = 0, (HIGH) is selected. When the input signal CTH1A = 1, (LOW) is selected.

15i 16i 30i
 3050 4050 4050
 3051 4051 4051

Velocity integral gain on orientation (HIGH)	CTH1A=0
Velocity integral gain on orientation (LOW)	CTH1A=1

Unit of data :
 Valid data range : 0 to 32767
 Standard setting value : 10

This data is used to specify a velocity loop integral gain for spindle orientation.

When the input signal CTH1A = 0, (HIGH) is selected. When the input signal CTH1A = 1, (LOW) is selected.

15i 16i 30i
 3056 4056 4056
 3057 4057 4057
 3058 4058 4058
 3059 4059 4059

Gear ratio (HIGH)	CTH1A=0, CTH2A=0
Gear ratio (MEDIUM HIGH)	CTH1A=0, CTH2A=1
Gear ratio (MEDIUM LOW)	CTH1A=1, CTH2A=0
Gear ratio (LOW)	CTH1A=1, CTH2A=1

Unit of data : Number of motor rotations per spindle rotation / 100
 (Number of motor rotations per spindle rotation / 1000 if bit 1 of parameter No. 4006 (GRUNIT) = 1)
 Valid data range : 0 to 32767
 Standard setting value : 100

This data is used to set a gear ratio between the spindle and spindle motor.

For example, if the motor makes 2.5 rotations while the spindle makes 1 rotation, set 250 in this parameter.

A parameter is selected according to the values of the input signals CTH1A and CTH2A.

Ensure that the state of the gear or clutch corresponds to the values of CTH1A and CTH2A.

NOTE

If an improper value is set in these parameters, an unexpected operation such as endless spindle rotation at orientation time can result.
 So, be sure to set a proper gear ratio.

15i 16i 30i
 3060 4060 4060
 3061 4061 4061
 3062 4062 4062
 3063 4063 4063

Position gain on orientation (HIGH)	CTH1A=0, CTH2A=0
Position gain on orientation (MEDIUM HIGH)	CTH1A=0, CTH2A=1
Position gain on orientation (MEDIUM LOW)	CTH1A=1, CTH2A=0
Position gain on orientation (LOW)	CTH1A=1, CTH2A=1

Unit of data : 0.01sec^{-1}
 Valid data range : 0 to 32767
 Standard setting value : 1000

These data are used to set the position gain on spindle orientation.

A parameter is selected according to the values of the input signals CTH1A and CTH2A.

15i 16i 30i
3064 4064 4064

Ratio of position gain change upon completion of spindle orientation

Unit of data : 1%
Valid data range : 0 to 1000
Standard setting value : 100

This data is used to set a position gain change ratio upon completion of orientation.

15i 16i 30i
3075 4075 4075

Orientation completion signal detection level (effective area for in-position check)

Unit of data : ± 0.1 deg
Valid data range : 0 to 100
Standard setting value : 10

This data is used to set the detecting level of orientation completion signal (ORARA).

The orientation completion signal (ORARA) is set to 1 if the spindle position is within the set data range when orientation is stopped.

When the orientation command (ORCMA) is turned off (= 0), the orientation completion signal (ORARA) is set to 0.

15i 16i 30i
3076 4076 4076

Spindle orientation speed limit ratio
--

Unit of data : 1%
Valid data range : 0 to 100
Standard setting value : 33

This data is used to set an orientation speed limit ratio.

$$\text{Orientation speed (motor speed)} = 60 \times \frac{\text{Position gain}}{100} \times \text{gear ratio} \times \frac{\text{Speed limit ratio}}{100} \quad [\text{min}^{-1}]$$

15i 16i 30i
3077 4077 4077

Orientation stop position shift value
--

Unit of data : ± 0.01 deg
Valid data range : -100 to 100
Standard setting value : 0

This data is used to shift the stop position.

When a plus (+) value is set, the spindle stop position is shifted in the CCW direction by the set number of pulses.

15i 16i 30i
 3078 4078 4078

MS signal constant

Unit of data :
 Valid data range : 81 to 1000
 Standard setting value : 200

This data is used to set a value calculated from the expression below.

$$\text{Settings} = \frac{L}{2} \times \frac{1}{2\pi \times H} \times 4096$$

where

L : Magnet length [mm]

H : Distance from the spindle center to magnet [mm]

Example When H = 100 mm and L = 50 mm

$$\text{MS signal constant} = \frac{(50/2)}{2\pi \times 100} \times 4096 \approx 163$$

15i 16i 30i
 3079 4079 4079

MS signal gain adjustment

Unit of data :
 Valid data range : -128 to 127
 Standard setting value : 0

This data is used to adjust the amplitude of the MS signal. Usually, use the values indicated in the table below as standard values.

Name	Specification drawing number	Magnet		MS signal gain
		Type	Length [mm]	
Not specified. Standard	A57L-0001-0037	Standard (TYPE II)	50	0
Magnetic sensor N	A57L-0001-0037/N			0
Magnetic sensor P	A57L-0001-0037/P	Compact type (TYPE III)	50	-20
Magnetic sensor Q	A57L-0001-0037/Q	Cylinder type with diameter of φ40 (TYPE IV)	31	70
Magnetic sensor R	A57L-0001-0037/R	Cylinder type with diameter of φ50 (TYPEV)	37	50
Magnetic sensor S	A57L-0001-0037/S	Cylinder type with diameter of φ60 (TYPEVI)	43	70
Magnetic sensor T	A57L-0001-0037/T	Cylinder type with diameter of φ70 (TYPEVII)	49	40

15i 16i 30i
 3084 4084 4084

Motor voltage setting on orientation

Unit of data : 1%
 Valid data range : 0 to 100
 Standard setting value : 30

This data is used to specify the motor voltage for spindle orientation. Depending on the motor model, set 30 usually.

5.13 SPINDLE BACKLASH ACCELERATION FUNCTION (OPTIONAL FUNCTION)

5.13.1 Overview

The spindle backlash acceleration function improves a figure error caused by the delayed reversal along the Cs contouring control axis.

NOTE

- 1 To use this function, the CNC software option (Cs contouring control) is required.
- 2 This function is valid for advanced preview feed-forward in the Cs contouring control mode.
- 3 This function is unavailable for the sub-spindle for spindle switching.
- 4 This function cannot be used together with the spindle EGB function.

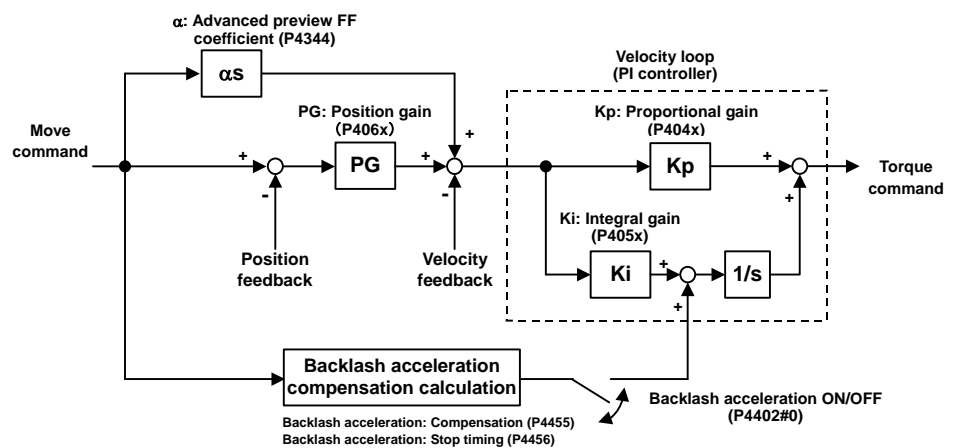
5.13.2 Series and Editions of Applicable Spindle Software

Spindle software

Series	Edition	Usable CNC
9D50	O(15) edition or later	FS16i / FS18i / FS21i , FS0i , FS15i
9D70	F (06) edition or later	FS30i / FS31i / FS32i
9D80	A (01) edition or later	FS16i / FS18i / FS21i , FS0i , FS15i , FS30i / FS31i / FS32i

5.13.3 Block Diagram

The following shows a block diagram of spindle backlash acceleration.



5.13.4 Parameters

(1) List of parameters

Parameter No.			Description
15i	16i	30i	
3402#0	4402#0	4402#0	Whether to enable the backlash acceleration function
3402#1	4402#1	4402#1	Setting of the feed-forward coefficient when the backlash acceleration function is enabled.
3455	4455	4455	Backlash acceleration: Compensation
3456	4456	4456	Backlash acceleration: Stop timing

(2) Details of parameters

15i	16i	30i	#7	#6	#5	#4	#3	#2	#1	#0
3402	4402	4402							MDLINF	BKAFNC

BKAFNC Whether to enable the backlash acceleration function
 0 : Disables the backlash acceleration function.
 1 : Enables the backlash acceleration function.

MDLINF Sets the advanced preview feed-forward coefficient when the backlash acceleration function is enabled.
 Set “0” when the advanced preview feed-forward coefficient is less than 100% (parameter No. 4344 is not 10000) or
 “1” when the coefficient is 100% (parameter No. 4344 is 10000).

15i	16i	30i
3455	4455	4455

Backlash acceleration: Compensation

Unit of data :
 Valid data range : 0 to 32767
 Standard setting value : 0
 This parameter sets the backlash acceleration compensation.

15i	16i	30i
3456	4456	4456

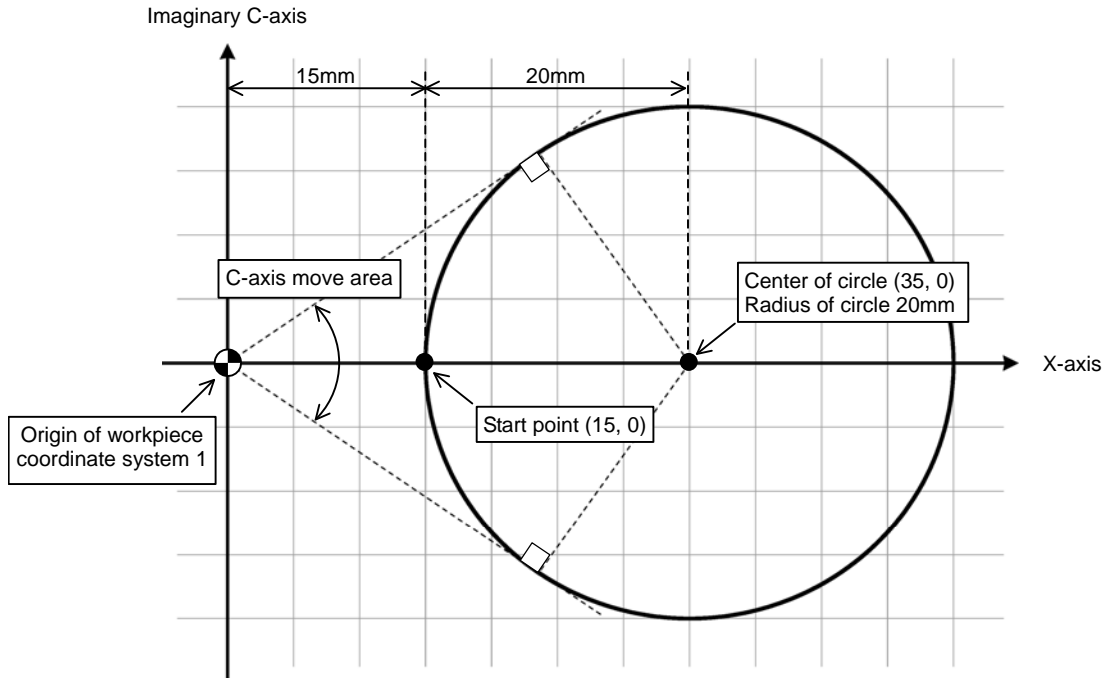
Backlash acceleration: Stop timing

Unit of data : 0.001deg
 Valid data range : 0 to 32767
 Standard setting value : 0
 This parameter sets the timing of the termination of backlash acceleration.

5.13.5 Example of Adjustment

(1) CNC program

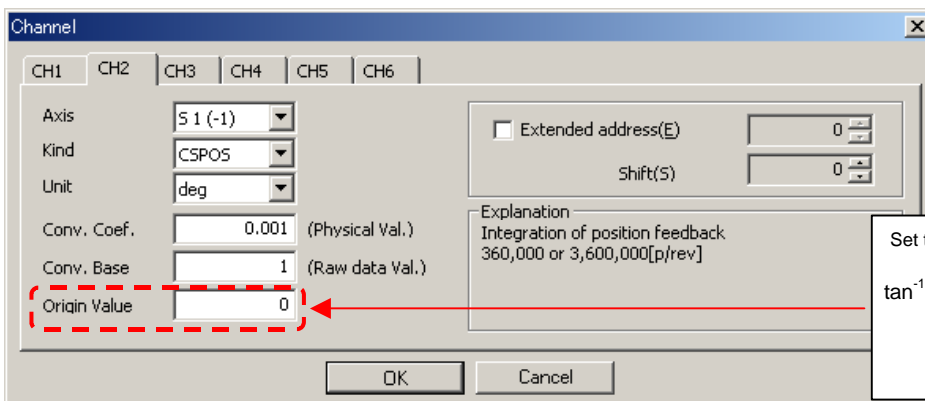
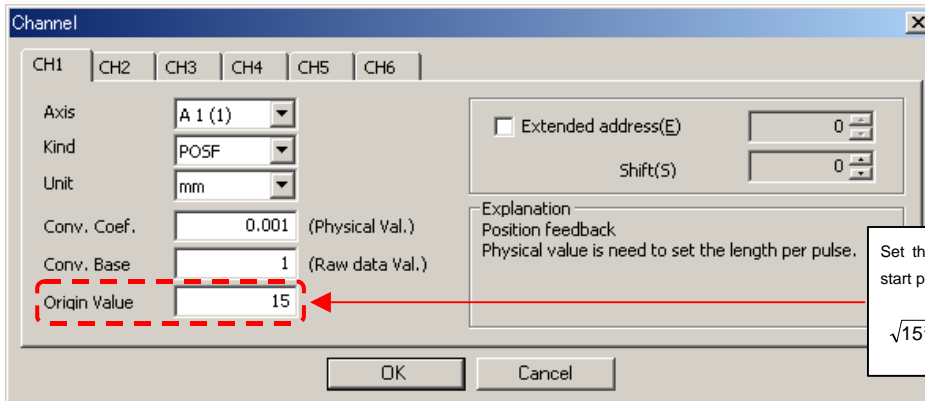
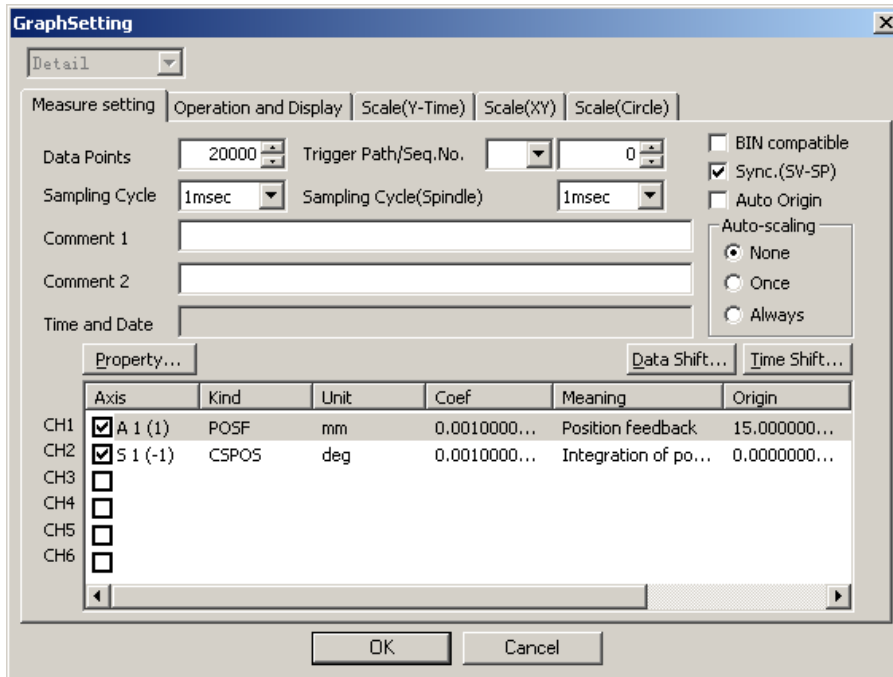
Prepare a program which draws an arc (eccentric arc) with polar coordinate interpolation as shown below:




G90	←	Absolute
G54	←	Select workpiece coordinate system 1.
G00 X15. C0.	←	Move to the start point.
G5.1 Q1	←	Turn AI contouring control on.
G12.1	←	Turn polar coordinate interpolation on.
G04 X5.	←	Dwell. Press the "origin" button (see Item (3)).
G02 I20. J0	←	Draw an arc.
G13.1	←	Turn polar coordinate interpolation off.
G5.1 Q0	←	Turn AI contouring control off.
M99	←	End


(2) Preparation for data measurement using the SERVO GUIDE

Open the graph window of the SERVO GUIDE and set channels as follows:



(3) Data measurement and display using the SERVO GUIDE

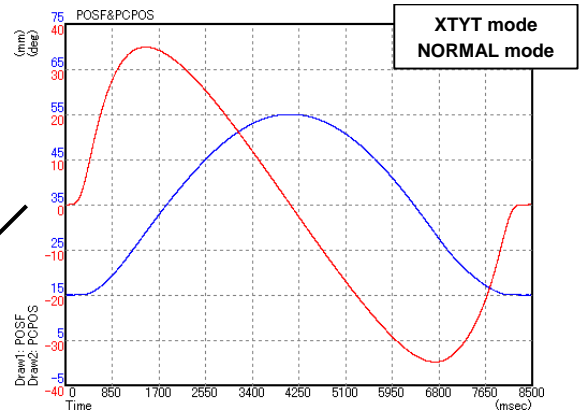
Execute the program described above and press the  button while the spindle stops at the start point to perform origin operation.

Then, press the  button before the spindle moves to start measurement.

After the completion of data measurement, change the graph window display mode as follows to display an arc.

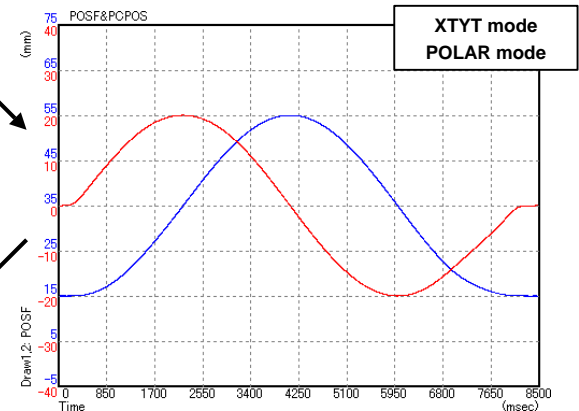
Change the mode using the menu.

Mode(M)	Tool(T)	Help(H)
▼ XTYT		Ctrl+T
VT		Ctrl+V
AT		Ctrl+A
JT		Ctrl+J
CIRCLE		Ctrl+B
XY		Ctrl+X
XTVT		
DXDY		Ctrl+D
SYNCHRO		
CONTOUR		Ctrl+O
▼ NORMAL		Ctrl+R
POLAR(◊YR)		Ctrl+R
ANGULAR(◊YA)		Ctrl+R
FOURIER		Ctrl+F



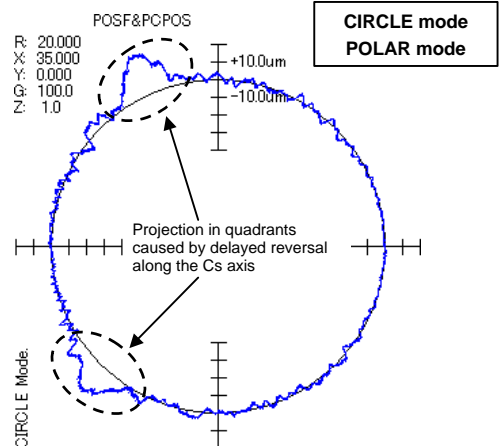
Change the mode using the menu.

Mode(M)	Tool(T)	Help(H)
▼ XTYT		Ctrl+T
VT		Ctrl+V
AT		Ctrl+A
JT		Ctrl+J
CIRCLE		Ctrl+B
XY		Ctrl+X
XTVT		
DXDY		Ctrl+D
SYNCHRO		
CONTOUR		Ctrl+O
NORMAL		Ctrl+R
▼ POLAR(◊YR)		Ctrl+R
ANGULAR(◊YA)		Ctrl+R
FOURIER		Ctrl+F



Change the mode using the menu.

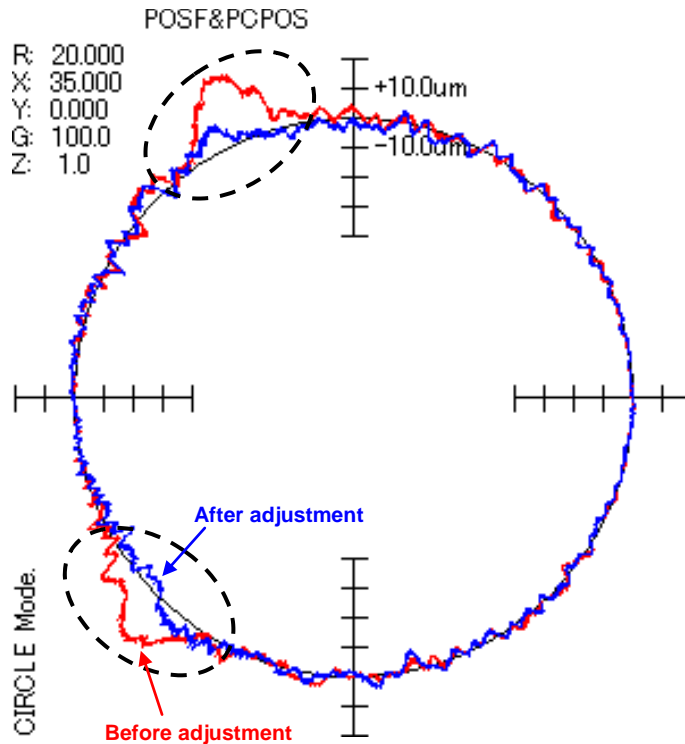
Mode(M)	Tool(T)	Help(H)
▼ XTYT		Ctrl+T
VT		Ctrl+V
AT		Ctrl+A
JT		Ctrl+J
CIRCLE		Ctrl+B
XY		Ctrl+X
XTVT		
DXDY		Ctrl+D
SYNCHRO		
CONTOUR		Ctrl+O
NORMAL		Ctrl+R
▼ POLAR(◊YR)		Ctrl+R
ANGULAR(◊YA)		Ctrl+R
FOURIER		Ctrl+F



(4) Adjustment

Follow the adjustment steps below while observing the arc figure in the CIRCLE mode in the graph window:

- (a) Set the initial values listed below for compensation (parameter No. 4455) and stop timing (parameter No. 4456):
Backlash acceleration compensation (parameter No. 4455): 5
Backlash acceleration stop timing (parameter No. 4456): 100
- (b) Increase the compensation value (parameter No. 4455) to minimize the peak value of the projection in each quadrant. If the waveform cuts into the circle, decrease the setting.
- (c) Increase the stop timing to minimize the peak value of the projection in each quadrant.
If the waveform cuts into the circle, decrease the setting.



5.14 HIGH-SPEED SPINDLE ORIENTATION (OPTIONAL FUNCTION)

5.14.1 Overview

This high-speed spindle orientation function shortens the time required for spindle orientation of the spindle by:

- <1> Making the most of the ability of the motor to decelerate
- <2> Increasing the gain of the position loop

NOTE

- 1 Using this function requires the CNC software option for spindle orientation.
- 2 This function cannot be used for spindle orientation during spindle synchronous control.
- 3 This function does not support the speed unit 10 min^{-1} (FS16*i*: Bit 2 of No. 4006 = 1).

5.14.2 Series and Editions of Applicable Spindle Software

Spindle software

Series	Edition	Usable CNC
9D50	A (01) edition or later	FS16 <i>i</i> / FS18 <i>i</i> / FS21 <i>i</i> , FS0 <i>i</i> , FS15 <i>i</i>
9D70	A (01) edition or later	FS30 <i>i</i> / FS31 <i>i</i> / FS32 <i>i</i>
9D80	A (01) edition or later	FS16 <i>i</i> / FS18 <i>i</i> / FS21 <i>i</i> , FS0 <i>i</i> , FS15 <i>i</i> , FS30 <i>i</i> / FS31 <i>i</i> / FS32 <i>i</i>

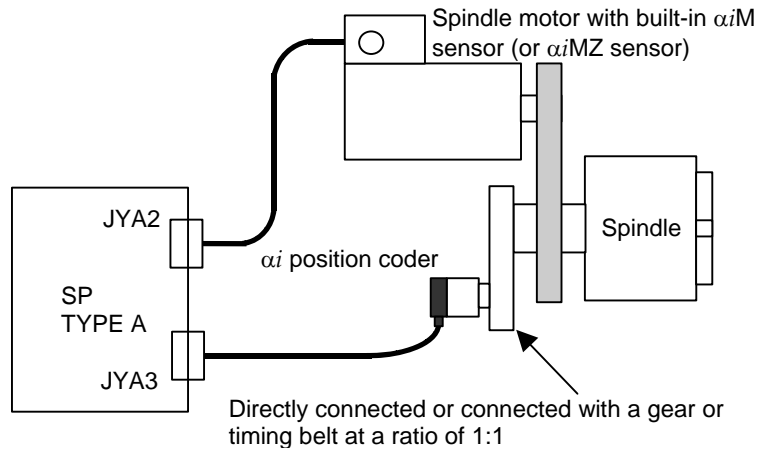
5.14.3 System Configuration

Explained below is a system configuration in which the high-speed spindle orientation function is usable.

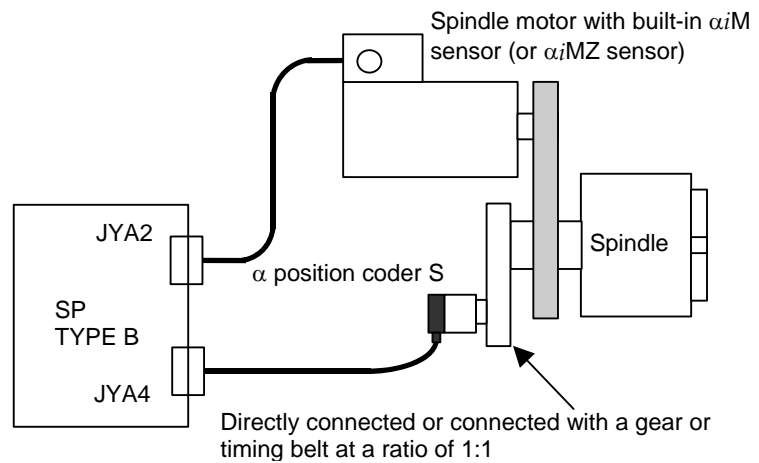
NOTE

This function cannot be used in an external one-rotation signal-based spindle orientation system in which a proximity switch is used.

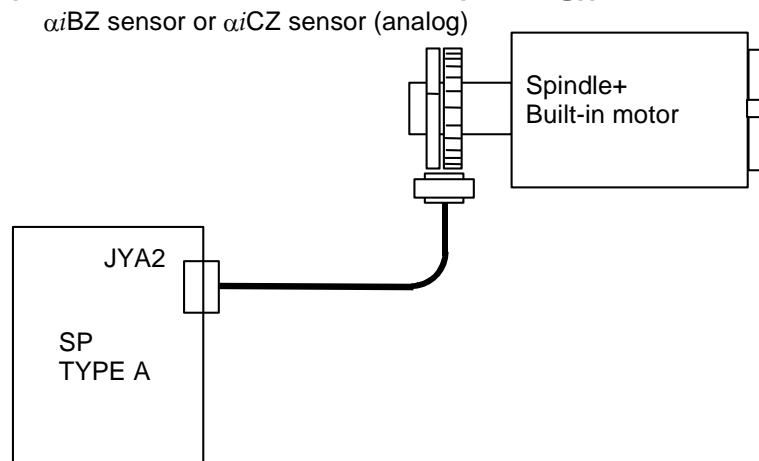
(1) When the αi position coder is used



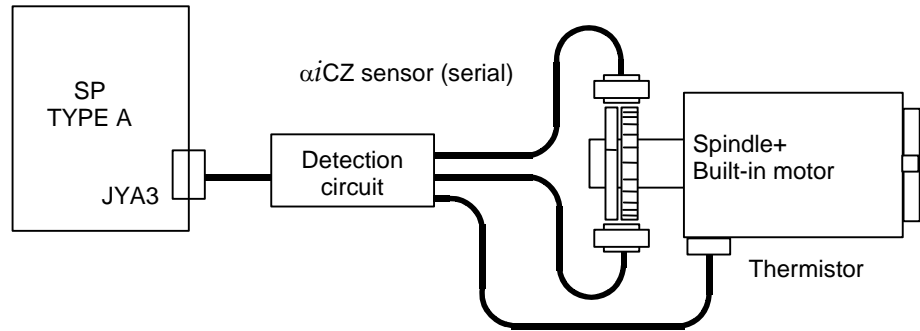
(2) When the α position coder S is used



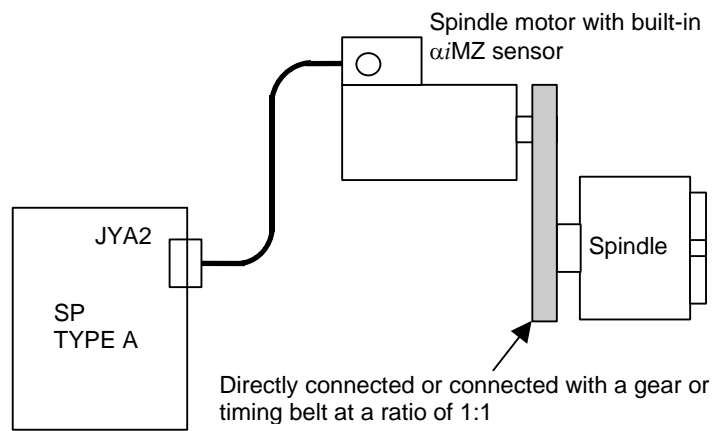
(3) When the built-in motor (αiBZ sensor, αiCZ sensor (analog)) is used



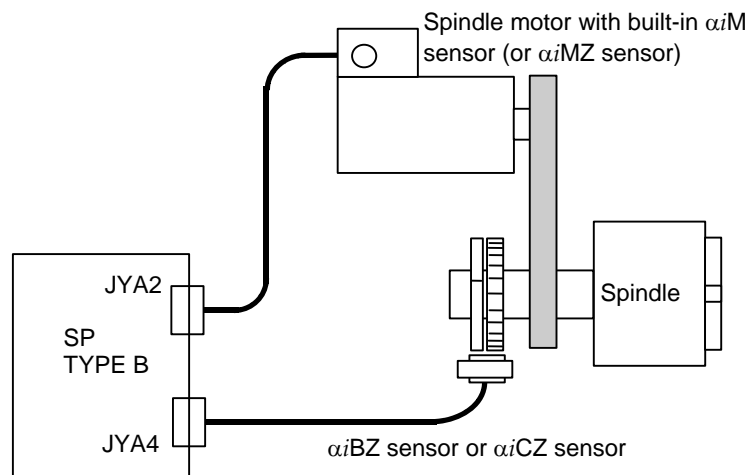
(4) When the built-in motor (α iCZ sensor (serial)) is used



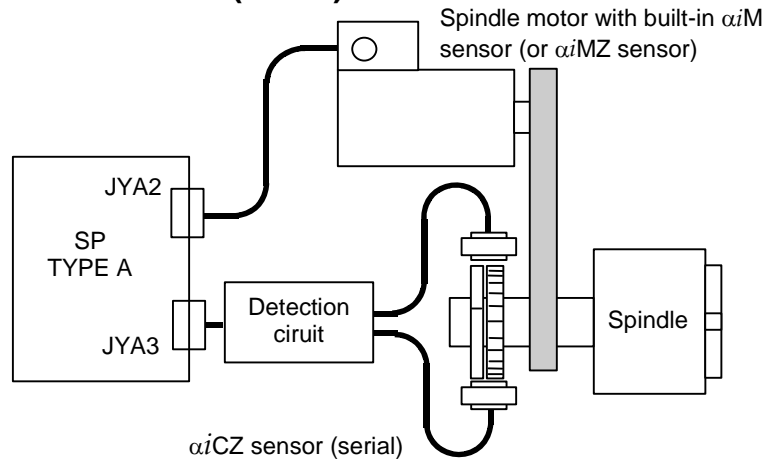
(5) When the spindle motor with built-in α iMZ sensor is used



(6) When the separate type α iBZ sensor or separate type α iCZ sensor (analog) is used



(7) When the separate type αi CZ sensor (serial) is used



5.14.4 I/O Signals (CNC \leftrightarrow PMC)

(1) Address list of input signals (PMC \rightarrow CNC)

	15i	16i	30i	#7	#6	#5	#4	#3	#2	#1	#0
1st-	G227	G070	G070		ORCMA			CTH1A	CTH2A		
2nd-	G235	G074	G074		ORCMB			CTH1B	CTH2B		
1st-	G229	G072	G072			INCMDA			NRROA	ROTAA	INDXA
2nd-	G237	G076	G076			INCMDB			NRROB	ROTAB	INDXB
1st-	G230	G078	G078	SHA07	SHA06	SHA05	SHA04	SHA03	SHA02	SHA01	SHA00
2nd-	G238	G080	G080	SHB07	SHB06	SHB05	SHB04	SHB03	SHB02	SHB01	SHB00
1st-	G231	G079	G079					SHA11	SHA10	SHA09	SHA08
2nd-	G239	G081	G081					SHB11	SHB10	SHB09	SHB08

(2) Details of input signals (PMC → CNC)

- (a) Spindle orientation command (ORCMA)
- (b) Clutch/gear signals (CTH1A and CTH2A)
- (c) Spindle orientation stop position change command (INDXA)
- (d) Rotation direction command for spindle orientation stop position change (ROTAA)
- (e) Short-cut command for spindle orientation stop position change (NRROA)
- (f) Incremental command data selection signal (INCMDA)
- (g) Spindle orientation external stop position commands (SHA11 to SHA00)

The functions of the input signals ORCMA, CTH1A, CTH2A, INDXA, ROTAA, NRROA, INCMDA, and SHA11 to SHA00 are the same as for position coder-method spindle orientation and incremental command type spindle orientation. See Sections 2.2, "POSITION CODER-METHOD SPINDLE ORIENTATION," and 5.3, "INCREMENTAL COMMAND TYPE SPINDLE ORIENTATION" in Part I.

(3) Address list of input signals (CNC → PMC)

	15i	16i	30i	#7	#6	#5	#4	#3	#2	#1	#0
1st-	F229	F045	F045	ORARA							
2nd-	F245	F049	F049	ORARB							
1st-	F221	F047	F047							INCSTA	
2nd-	F247	F051	F051							INCSTB	

(4) Details of input signals (CNC → PMC)

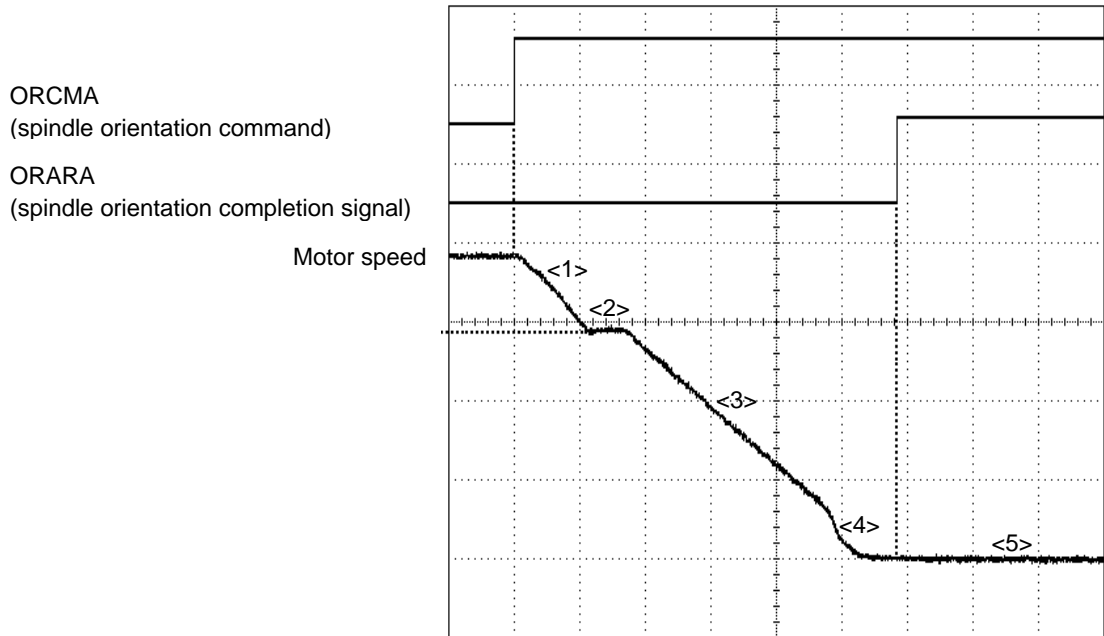
- (a) Incremental command mode status signal (INCSTA)
- (b) Spindle orientation completion signal (ORARA)

The functions of the output signals ORARA and INCSTA are the same as for position coder-method spindle orientation and incremental command type spindle orientation. See Sections 2.2, "POSITION CODER METHOD SPINDLE ORIENTATION," and 5.3, "INCREMENTAL COMMAND TYPE SPINDLE ORIENTATION" in Part I.

5.14.5 Sequence

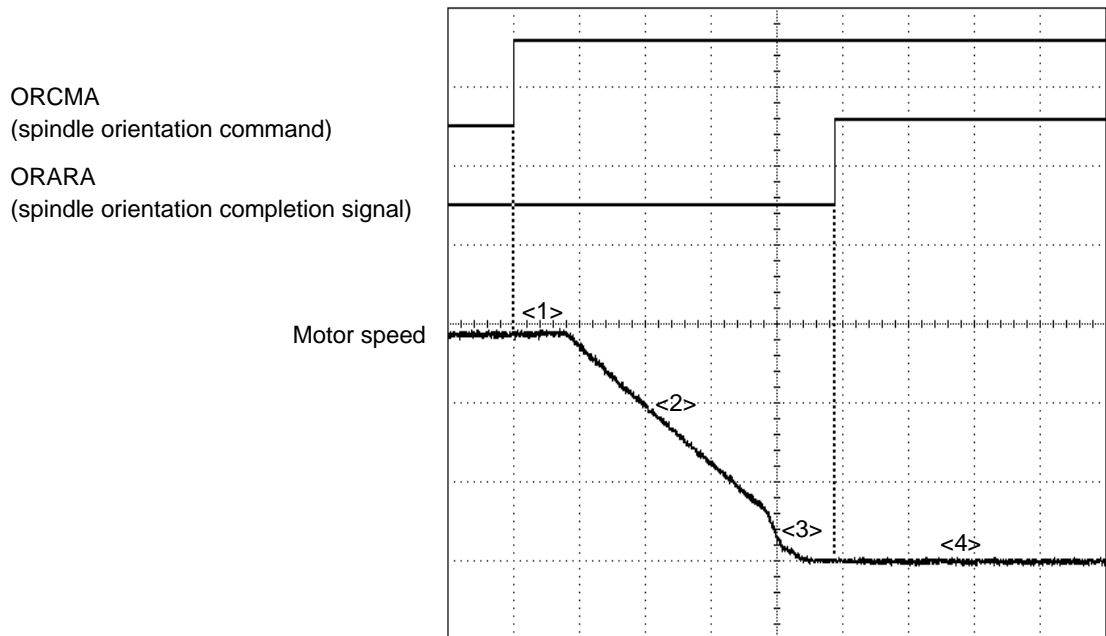
This subsection describes the operations of high-speed spindle orientation. See Sections 2.2, "POSITION CODER-BASED SPINDLE ORIENTATION," and 5.3, "INCREMENTAL COMMAND TYPE SPINDLE ORIENTATION" in Part I, for concrete examples of sequences

(1) Starting spindle orientation when the spindle is rotating at or faster than the orientation speed upper limit



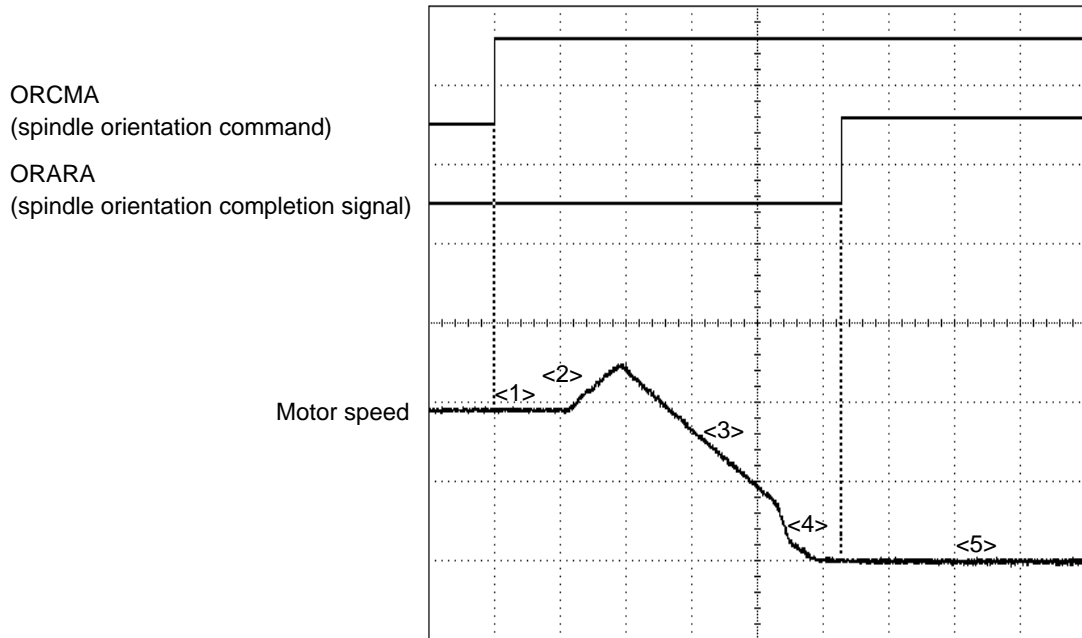
- <1> If the spindle orientation command (ORCMA) is input when the spindle is rotating at or faster than the orientation speed upper limit specified in parameter No. 4038, the spindle is decelerated to the orientation speed upper limit.
- <2> A one-rotation signal is detected (only at the first-time spindle orientation after the power is switched on).
- <3> The spindle decelerates at the acceleration specified as an acceleration during motor deceleration in parameter Nos. 4320 to 4323.
- <4> When the spindle speed becomes lower than or equal to the value calculated within the software, the position loop is controlled at the position gain specified as a spindle orientation position gain in parameter Nos. 4060 to 4063.
- <5> When the position error becomes lower than or equal to the number of pulses specified as a spindle orientation completion signal level in parameter No. 4075, the spindle orientation completion signal (ORARA) is output.

(2) Starting spindle orientation when the spindle is rotating at a speed between the orientation speed lower limit and the orientation speed upper limit



- <1> If the spindle orientation command (ORCMA) is input when the spindle is rotating at a speed between the orientation speed upper limit specified in parameter No. 4038 and the orientation speed lower limit (calculated within the software), a one-rotation signal is detected (only at the first-time spindle orientation after the power is switched on).
- <2> The spindle decelerates at the acceleration specified as an acceleration during motor deceleration in parameter Nos. 4320 to 4323.
- <3> When the spindle speed becomes lower than or equal to the value calculated within the software, the position loop is controlled at the position gain specified as a spindle orientation position gain in parameter Nos. 4060 to 4063.
- <4> When the position error becomes lower than or equal to the number of pulses specified as a spindle orientation completion signal level in parameter No. 4075, the spindle orientation completion signal (ORARA) is output.

(3) Starting spindle orientation when the spindle is rotating at or slower than the orientation speed lower limit



- <1> If the spindle orientation command (ORCMA) is input when the spindle is rotating at or slower than the orientation speed lower limit (calculated within the software), a one-rotation signal is detected (only at the first-time spindle orientation after the power is switched on).
- <2> The spindle accelerates at the acceleration specified as an acceleration during motor deceleration in parameter Nos. 4320 to 4323.
- <3> The spindle decelerates at the acceleration specified as an acceleration during motor deceleration in parameter Nos. 4320 to 4323.
- <4> When the spindle speed becomes lower than or equal to the value calculated within the software, the position loop is controlled at the position gain specified as a spindle orientation position gain in parameter Nos. 4060 to 4063.
- <5> When the position error becomes lower than or equal to the number of pulses specified as a spindle orientation completion signal level in parameter No. 4075, the spindle orientation completion signal (ORARA) is output.

5.14.6 List of Related Parameters

Parameter No.			Description
15i	16i	30i	
3015 #0	4015 #0	4015 #0	Whether the spindle orientation function is available (to be set to "1") (The CNC software option is required.)
3018 #6	4018 #6	4018 #6	High-speed spindle orientation function (to be set to "1")
5609#2	3702#3,#2	3729#0	Whether the stop position external setting-type spindle orientation function is available (For 16i, #2: First spindle, #3: Second spindle)
3003 #0	4003#0	4003#0	Spindle orientation type selection (to be reset to "0")
3003#3,#2	4003#3,#2	4003#3,#2	Rotation direction for spindle orientation (to be reset to "0, 0" or to be set to "0, 1")
3017#7	4017#7	4017#7	Short-cut function when spindle orientation from stopped state is specified
3018#5	4018#5	4018#5	Whether the speed command correction function for high-speed spindle orientation is available
3031	4031	4031	Spindle orientation stop position (This parameter is invalid for stop position external setting type and incremental command external setting type.)
3038	4038	4038	Orientation speed upper limit
3042	4042	4042	Velocity proportional gain on orientation
3043	4043	4043	(These parameters are selected with the input signal CTH1A.)
3050	4050	4050	Velocity integral gain on orientation
3051	4051	4051	(These parameters are selected with the input signal CTH1A.)
3056 to 3059	4056 to 4059	4056 to 4059	Gear ratio data between spindle and motor (These parameters are selected with the input signals CTH1A and CTH2A.)
3060 to 3063	4060 to 4063	4060 to 4063	Position gain on orientation (These parameters are selected with the input signals CTH1A and CTH2A.)
3064	4064	4064	Percentage limit to an acceleration during deceleration
3075	4075	4075	Orientation completion signal detection level
3077	4077	4077	Orientation stop position shift value
3084	4084	4084	Motor voltage on orientation
3320 to 3223	4320 to 4323	4320 to 4323	Acceleration during motor deceleration (These parameters are selected with the input signals CTH1A and CTH2A.)
3326	4326	4326	Acceleration limitation start speed during deceleration
3330	4330	4330	(These parameters are selected with the input signal CTH1A.)
3328	4328	4328	Command multiplier for orientation

NOTE

- 1 See Section 1.3, "PARAMETERS RELATED TO DETECTORS" in Part I, for parameters related to detectors.
- 2 See Section 4.1, "VELOCITY LOOP GAIN ADJUSTMENT" in Part I, for velocity loop proportional/integral gain tuning.
- 3 When using the high-speed spindle orientation function, set the parameters (bits 3 and 2 or parameter No. 4003) for rotation direction for spindle orientation with the previous rotation direction (0, 0 or 0, 1).

5.14.7 Details of Related Parameters

15i	16i	30i	#7	#6	#5	#4	#3	#2	#1	#0
3018	4018	4018		ORTYP1	HSVCM		ORTYP1			

HSVCM: Velocity command compensation function in high-speed spindle orientation is:
 0: Disabled.
 1: Enabled.
 Normally, set 1.

ORTYP1、ORTYP0 Type of position coder method spindle orientation

ORTYP1	ORTYP0	Type of orientation
0	0	Conventional method orientation
0	1	Optimum orientation
1	0	High-speed spindle orientation

Specify "1,0" (high-speed spindle orientation).

15i	16i	30i	#7	#6	#5	#4	#3	#2	#1	#0
3003	4003	4003					DIRCT2	DIRCT1		PCMGS

DIRCT1、DIRCT2 Rotation direction at spindle orientation

DIRCT2	DIRCT1	Rotation direction
0	0	By rotation direction immediately before (CCW for the first-time spindle orientation after the power is switched on)
0	1	By rotation direction immediately before (CW for the first-time spindle orientation after the power is switched on)
1	0	CCW direction looking from shaft of motor
1	1	CW direction looking from shaft of motor

NOTE

When using the high-speed spindle orientation function, specify the rotation direction for spindle orientation to be the previous rotation direction (bits 3 and 2 of parameter No. 4003 = 0 and 0 or 0 and 1).

PCMGS : Orientation method selection
 Set to 0.

15i	16i	30i	#7	#6	#5	#4	#3	#2	#1	#0
3017	4017	4017	NRROEN							

NRROEN The short-cut function when spindle orientation from stopped state is specified is:
 0: Unavailable
 1: Available
 If the setting is "1", a short-cut is made provided that the following conditions are satisfied.
 i) Bit 7 of parameter No. 4016 (RFCHK3) = 0
 ii) Zero-speed detection signal (output signal) SST = 1
 iii) Short-cut command (input signal) NRROA = 1

15i	16i	30i	Position coder method orientation stop position							
3031	4031	4031								

Unit of data : 1 pulse unit (360 degrees/4096)
 Valid data range : 0 to 4095
 Standard setting value : 0
 This data is used to set the stop position of position coder method spindle orientation. This parameter is invalid for stop position external setting-type and incremental command external setting-type spindle orientation. Instead, the stop position commands (SHA11 to SHA00) (input signals) are valid.

15i	16i	30i	Spindle orientation speed upper limit							
3038	4038	4038								

Unit of data : 1min^{-1}
 Valid data range : 0 to 32767
 Standard setting value : 0
 This data is used to specify the upper limit to the orientation speed of an spindle end. If the setting is "0", the parameter is assumed to be set with a value converted for the spindle from the excitation voltage saturation speed with no load on the motor (parameter No. 4102, low-speed characteristic parameter No. 4140).

15i	16i	30i	Velocity proportional gain on orientation (HIGH)							CTH1A=0
3042	4042	4042								
3043	4043	4043	Velocity proportional gain on orientation (LOW)							CTH1A=1

Unit of data :
 Valid data range : 0 to 32767
 Standard setting value : 10
 This data is used to set the velocity loop proportional gain on orientation.

15i 16i 30i
 3050 4050 4050
 3051 4051 4051

Velocity integral gain on orientation (HIGH)	CTH1A=0
Velocity integral gain on orientation (LOW)	CTH1A=1

Unit of data :
 Valid data range : 0 to 32767
 Standard setting value : 10

This data is used to specify a velocity loop integral gain for spindle orientation.

15i 16i 30i
 3056 4056 4056
 3057 4057 4057
 3058 4058 4058
 3059 4059 4059

Gear ratio (HIGH)	CTH1A=0, CTH2A=0
Gear ratio (MEDIUM HIGH)	CTH1A=0, CTH2A=1
Gear ratio (MEDIUM LOW)	CTH1A=1, CTH2A=0
Gear ratio (LOW)	CTH1A=1, CTH2A=1

Unit of data : Number of motor rotations per spindle rotation / 100
 (Number of motor rotations per spindle rotation / 1000 if bit 1 of parameter No. 4006 (GRUNIT) = 1)
 Valid data range : 3 to 3000
 (33 to 30000 if bit 1 of parameter No. 4006 (GRUNIT) = 1)
 Standard setting value : 100

NOTE
 The range of gear ratios supported by this function is:
 1:30 to 30:1

15i 16i 30i
 3060 4060 4060
 3061 4061 4061
 3062 4062 4062
 3063 4063 4063

Position gain on orientation (HIGH)	CTH1A=0, CTH2A=0
Position gain on orientation (MEDIUM HIGH)	CTH1A=0, CTH2A=1
Position gain on orientation (MEDIUM LOW)	CTH1A=1, CTH2A=0
Position gain on orientation (LOW)	CTH1A=1, CTH2A=1

Unit of data : 0.01sec⁻¹
 Valid data range : 0 to 32767
 Standard setting value : 1000

These data are used to set the position gain on spindle orientation.

15i 16i 30i
 3064 4064 4064

Percentage limit to an acceleration during deceleration
--

Unit of data : 1%
 Valid data range : 0 to 100
 Standard setting value : 100

This data is used to specify the percentage limit to an acceleration during deceleration if spindle orientation is started when the spindle speed is lower than or equal to the limitation start seed for an acceleration during deceleration (parameter Nos. 4326 and 4330). Usually, specify "100".

15i 16i 30i
3075 4075 4075

Orientation completion signal detection level (effective area for in-position check)

Unit of data : ± 1 pulse unit (360 degrees/4096)
Valid data range : 0 to 100
Standard setting value : 10

This data is used to set the detecting level of orientation completion signal (ORARA). ORARA = 1 is satisfied if the position error is within the setting.

15i 16i 30i
3077 4077 4077

Orientation stop position shift value
--

Unit of data : ± 1 pulse unit (360 degrees/4096)
Valid data range : -4095 to 4095
Standard setting value : 0

This data is used to specify the shift amount of the spindle orientation stop position. If a positive value is specified, the position where the spindle stops is shifted counterclockwise.

15i 16i 30i
3084 4084 4084

Motor voltage setting on orientation

Unit of data : 1%
Valid data range : 0 to 100
Standard setting value : Depends on the motor model.

This data is used to specify the motor voltage for spindle orientation. For high-speed spindle orientation, usually specify "100".

15i 16i 30i
3320 4320 4320
3321 4321 4321
3322 4322 4322
3323 4323 4323

Acceleration during motor deceleration (HIGH)	CTH1A=0, CTH2A=0
Acceleration during motor deceleration (MEDIUM HIGH)	CTH1A=0, CTH2A=1
Acceleration during motor deceleration (MEDIUM LOW)	CTH1A=1, CTH2A=0
Acceleration during motor deceleration (LOW)	CTH1A=1, CTH2A=1

Unit of data : $10\text{min}^{-1}/\text{sec}$
Valid data range : 0 to 6400
Standard setting value : 0

This data is used to specify the acceleration during motor deceleration for high-speed spindle orientation. If the setting is "0", the high-speed spindle orientation function is disabled, and the standard-type spindle orientation function is enabled. The setting for the parameter is obtained, using:

$$\text{Acceleration during deceleration} = \frac{\tau}{J} \times \frac{60}{2\pi} \times (0.8 \text{ to } 0.9)$$

where

τ (Nm) : Motor maximum torque at spindle orientation speed upper limit (parameter No. 4038)

J(kgm²) : Motor inertia + load inertia

15i 16i 30i
3326 4326 4326
3330 4330 4330

Acceleration limitation start speed during deceleration (HIGH)	CTH1A=0
Acceleration limitation start speed during deceleration (LOW)	CTH1A=1

Unit of data : 1min⁻¹
Valid data range : 0 to 32767
Standard setting value : 0

This data is used to specify the motor speed at which limitation on the acceleration during deceleration is started. If the setting is "0", the parameter is assumed to be set with the spindle orientation lower limit speed calculated within the software.

15i 16i 30i
3328 4328 4328

Command multiplier for spindle orientation by a position coder

Unit of data :
Valid data range : 0 to 32767
Standard setting value : 0

Set a command multiplier for the spindle orientation function with an externally set incremental command.

When 0 is set in this parameter, 1 is assumed to have been specified.

5.14.8 Spindle Data Used in Tuning

This subsection describes high-speed spindle orientation-related data that can be observed using the spindle check board (A06B-6078-H001). Refer to an applicable maintenance manual for detailed explanations about how to use the spindle check board.

(1) Motor speed (data No. 19) and motor speed command (data No. 16)

These are spindle motor speed data and speed command data. The following table lists the relationships between the shift amount and the check board output value (if shift direction 0 and offset 1 are specified).

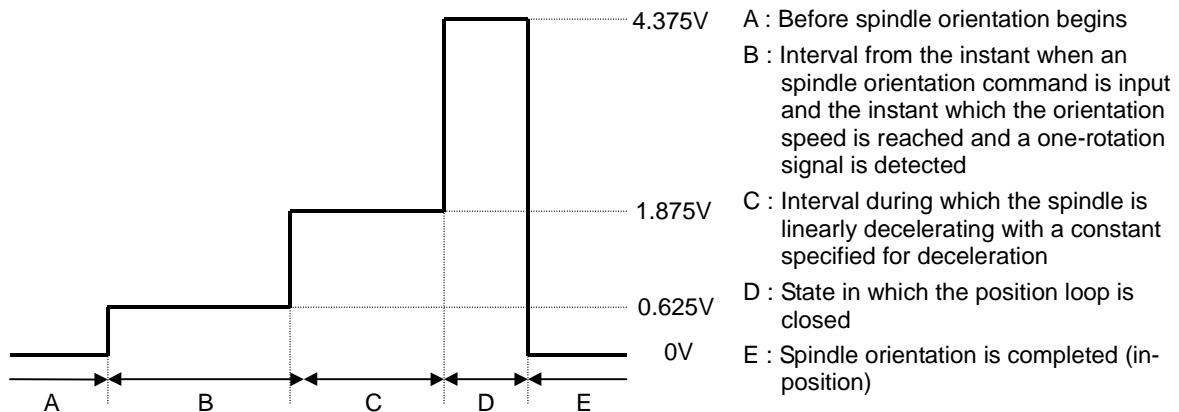
Shift amount	15	16	17	18	19	20
Output value (min ⁻¹ /5V)	1024	2048	4096	8192	16384	32768

(2) Torque command (data No. 90)

This is motor torque command data. If shift amount 8, shift direction 0, and offset 1 are specified, the check board output value is 100%/2.5 V.

(3) Spindle orientation sequence (data No. 298)

This data represents a high-speed spindle orientation sequence. If shift amount 4, shift direction 1, and offset 1 are specified, the check board output and the state of each sequence interval are as follows:



(4) Position error (data No. 136)

This is position error data (4096 pulses/rev) for spindle orientation. The following table lists the relationships between the shift amount and check board output value (when shift direction 0 and offset 1 are specified).

Shift amount	0	1	2	3	4	5
Output value (pulses/5 V)	128	256	512	1024	2048	4096

The position error data is output only in sequence intervals C, D, and E. It is 0 in the other intervals.

(5) Spindle orientation time (data No. 305)

This is the time from the instant when a spindle orientation command is input to the instant when spindle orientation is completed. It is indicated in ms units on the check board indicator (when shift amount 0, shift direction 0, and display format 0 are specified).

5.14.9 Tuning Procedure

Tune the parameters according to the following procedure. The ability of a motor to decelerate varies with the load inertia on the motor. When tuning, mount a tool with the highest possible load inertia on the spindle. If such a tool is unavailable, allow a considerable margin in specifying an acceleration during deceleration.

(1) Parameter initialization

Initialize the parameters related to high-speed spindle orientation as listed below.

No.	Description	Initial setting
4003#0	Selecting a spindle orientation type	0
4003#3,#2	Spindle rotation direction at orientation	Select a rotation direction.
4006#1	Unit of gear ratio setting	Specify an appropriate value depending on the system configuration.
4017#7	Short-cut function when spindle orientation from	Specify an appropriate value according

No.	Description	Initial setting
	stopped state is specified	to the use of the machine.
4018#5	Whether a speed command correction function for high-speed spindle orientation is available	1
4018#6	High-speed spindle orientation function	1
4031	Spindle orientation stop position	Specify a stop position.
4038	Spindle orientation speed upper limit	0
4042 to 4043	Velocity proportional gain on orientation	10
4050 to 4051	Velocity integral gain on orientation	10
4056 to 4059	Gear ratio	Specify an appropriate value depending on the system configuration.
4060 to 4063	Position gain on orientation	3000
4064	Percentage limit to an acceleration during deceleration	100
4075	Orientation completion signal detection level	Specify an appropriate value according to the use of the machine.
4077	Orientation stop position shift value	Specify a stop position.
4084	Motor voltage on orientation	100
4320 to 4323	Acceleration during motor deceleration	Tune according to actual measurements.
4326,4330	Acceleration limitation start speed during deceleration	0
4328	Command multiplier for orientation	Specify an appropriate value according to the use of the machine.

NOTE

- 1 Spindle alarm 21 is issued if the relation (bit 0 of parameter No. 4000) between the spindle and motor rotation direction and/or the setting of the spindle sensor mounting direction (bit 4 of parameter No. 4001) is incorrect.
- 2 The time required for spindle orientation may get abnormally long if the gear ratio resolution (bit 1 of parameter No. 4006) setting and/or gear ratio (parameter Nos. 4056 to 4059) setting is incorrect.
- 3 To switch the winding of the spindle motor with speed range switching control from high-speed winding to low-speed winding during spindle orientation command-specified deceleration, set the orientation speed upper limit (parameter No. 4038) to the base speed of the low-speed winding or lower.
In the sequence enters interval C (where linear deceleration takes place with a parameter-specified time constant), the time required for spindle orientation may get abnormally long.

(2) Initial setting of the acceleration during deceleration (parameter Nos. 4320 to 4323)

Run a real machine on the velocity control mode (regular operation mode), and decelerate it from the base speed ω_B (see the following expression).

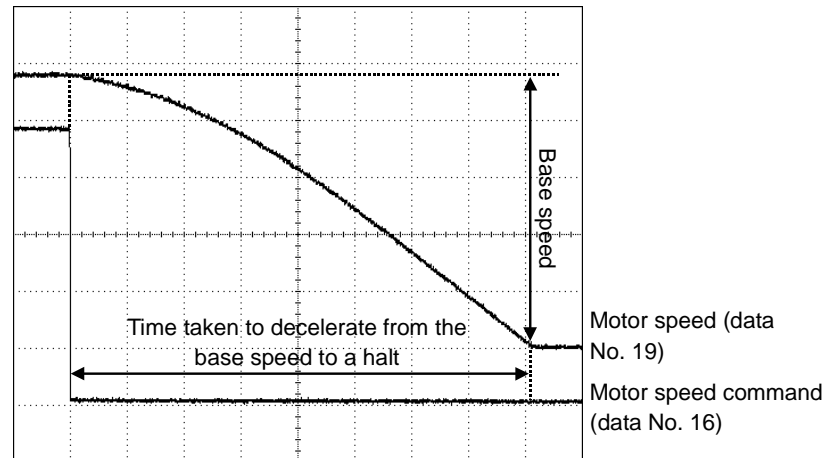
Base speed $\omega_B = \text{parameter No. 4102} \times \text{parameter No. 4117}/100$ (if parameter No. 4038 = 0), or
 $= \text{parameter No. 4038}$ (if parameter No. 4038 \neq 0)

Then, measure the time the real machine takes to decelerate, set up the initial acceleration during deceleration T_c from the measured

deceleration time according to the following expression (see the figure below):

Acceleration during deceleration = base speed/time taken to decelerate from the base speed to a halt/10 (in $10 \text{ min}^{-1}/\text{s}$)

Example of setting an initial acceleration during deceleration



(3) Tuning the velocity loop proportional gain (parameter Nos. 4042 and 4043) and integral gain (parameter Nos. 4050 and 4051)

Tune the velocity loop proportional/integral gain while referencing Section 4.1, "VELOCITY LOOP GAIN ADJUSTMENT" in Part I.

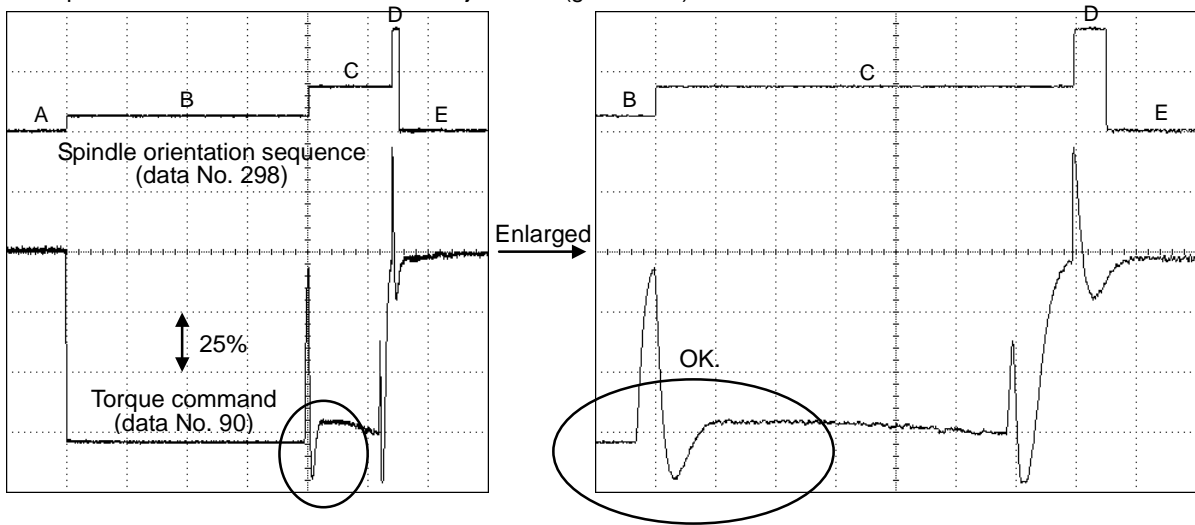
(4) Tuning the position gain

Basically, the position gain needs no adjustment. If you want to increase the setting for the position gain, do not increase it over 4000.

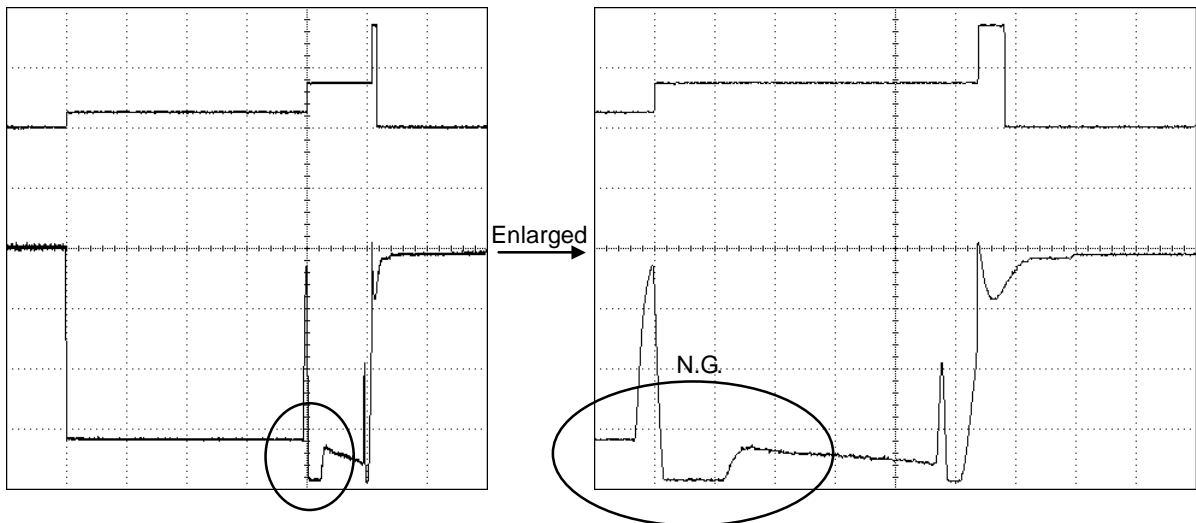
(5) Tuning the acceleration during deceleration (parameter Nos. 4320 to 4323)

Start spindle orientation when the spindle is running at the spindle maximum rotation speed, and tune the acceleration during deceleration so that the torque command will not be saturated when the motor starts linear deceleration (the beginning of interval C in the sequence). (See the following figure.)

Example 1 of deceleration time constant adjustment (good case)



Example 2 of deceleration time constant adjustment (bad case)



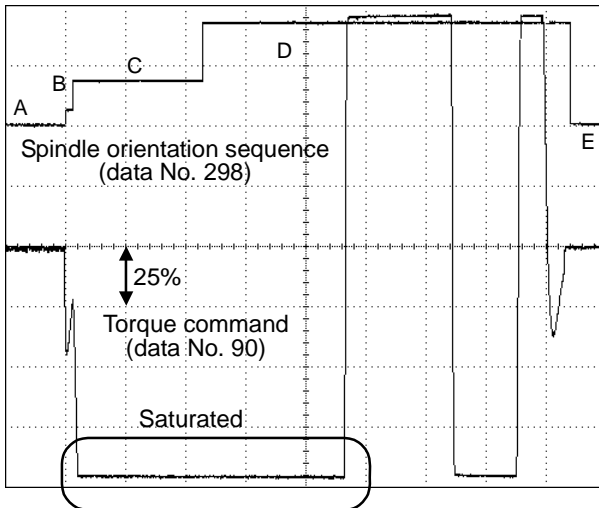
**(6) Tuning the percentage limit to an acceleration during deceleration
 (parameter No. 4064)**

(a) Deciding whether or not to tune the percentage limit to an acceleration during deceleration

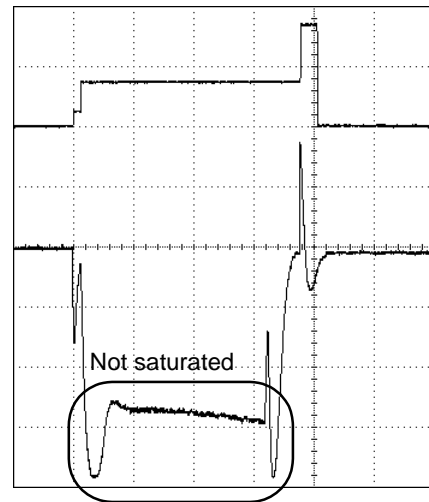
Start spindle orientation when the spindle is running at the base speed ω_B . (See the figure below.) If the torque command is saturated in sequence intervals C or D, it is necessary to tune the percentage limit to an acceleration during deceleration.

If the torque command is not saturated, stop tuning the spindle orientation.

Case in which parameter tuning is necessary



Case in which parameter tuning is unnecessary



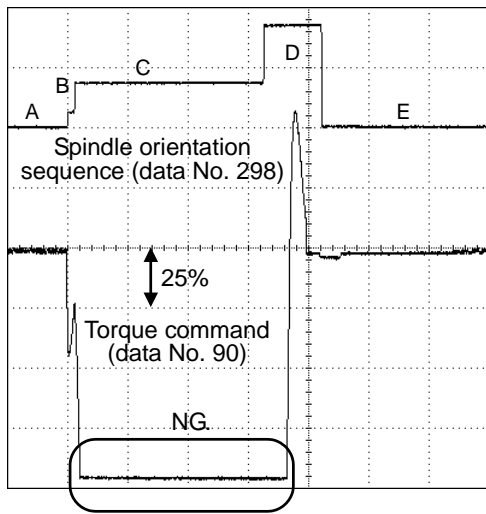
(b) Tuning the percentage limit to an acceleration during deceleration

Specify the acceleration limitation start speed during deceleration ω_{LS} (parameter Nos. 4326 and 4330) as follows:

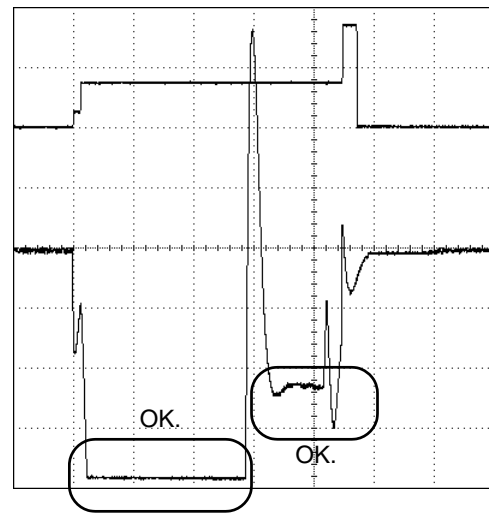
Acceleration limitation start speed during deceleration $\omega_{LS} = 1.1 \times$ base speed ω_B

Then, decrease the percentage limit to an acceleration during deceleration (parameter No. 4064) until the torque command will not be saturated at the end of sequence interval C or in sequence interval D. In this case, there is no problem even if the torque command is about to be saturated at the beginning of sequence interval C. (See the following figure.)

Example 1 of the percentage limit to an acceleration during deceleration (bad case)



Example 2 of the percentage limit to an acceleration during deceleration (good case)



(7) Tuning the acceleration limitation start speed during deceleration (parameter Nos. 4326 and 4330)

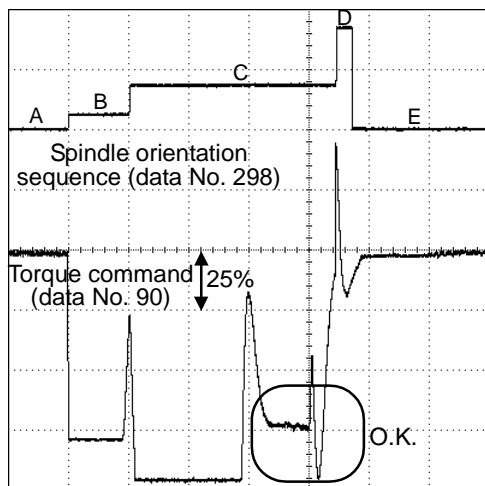
If you tuned the percentage limit to an acceleration during deceleration as explained in item (6), tune also the acceleration limitation start speed during deceleration.

(a) Deciding whether or not to tune the acceleration limitation start speed during deceleration

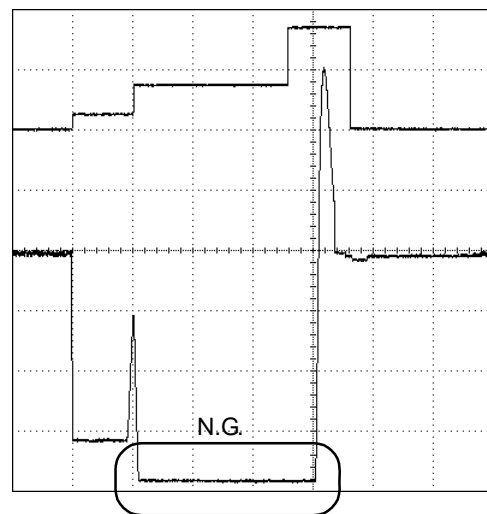
Start spindle orientation when the spindle is running at 10 min^{-1} + acceleration limitation start speed during deceleration ω_{LS} , which is an initial setting used when the percentage limit to an acceleration during deceleration is tuned. (See the following figure.) In this case, it is necessary to tune the percentage limit to an acceleration during deceleration if the torque command is saturated in sequence interval C or D.

If the torque command is not saturated, stop tuning the spindle orientation.

Case in which parameter tuning is necessary



Case in which parameter tuning is unnecessary



(b) Tuning the acceleration limitation start speed during deceleration

Increase the acceleration limitation start speed during deceleration (parameter Nos. 4326 and 4330) until the torque command will not be saturated at the end of sequence interval C or in sequence interval D even when spindle orientation is started when the spindle is running at 10 min^{-1} + acceleration limitation start speed during deceleration ω_{LS} . Similarly to item (6), there is no problem even if the torque command is about to be saturated at the beginning of sequence interval C.

II. FANUC AC SPINDLE MOTOR βi series

1

START-UP

1.1 START-UP PROCEDURE

For this subsection, see Section 1.1, “START-UP PROCEDURE”, in Part I.

NOTE

The CNCs that can be used with the βi SVSP are the $0i / 0i$ Mate -MODEL B or $0i / 0i$ Mate -MODEL C.

1.2 SPINDLE SERIAL INTERFACE (OPTIONAL FUNCTION)

1.2.1 Parameters Related to Spindle Serial Output

For this subsection, see Subsection 1.2.1, “Parameters Related to Spindle Serial Output”, in Part I.

1.2.2 Automatic Spindle Parameter Initialization

(1) Parameter list

Parameter No. (0i)	Description
4019#7	Function for automatically initializing spindle parameters
4133	Spindle motor model code

(2) Procedure for automatic spindle parameter initialization

Perform automatic spindle parameter initialization by following the procedure below.

<1> Set the model code for the desired motor for automatic parameter initialization.

Parameter No. (0i)	Description
4133	Model code

NOTE

When using a spindle motor that has no model code, set model code “300” for automatic parameter setting, then manually input data according to the model-by-model parameter list.

<2> Set the relevant parameter to enable automatic spindle parameter initialization.

Parameter No. (0i)	Description
4019#7	1

NOTE

This bit is reset to its original value after automatic parameter initialization.

<3> Turn off then turn on again the power to the CNC. The spindle parameter data set with the model code is automatically initialized.

<4> According to the detector configuration, set the detector-related parameters.

<5> In parameter No. 4090 (overload detection level), set the standard value of the β i series spindle motor.

Parameter No. (0i)	Description
4090	95

1.2.3 Diagnosis (Diagnosis Screen)

For this subsection, see Subsection 1.2.3, “Diagnosis (Diagnosis Screen)”, in Part I.

1.2.4 Alarm

For this subsection, see Subsection 1.2.4, “Alarm”, in Part I.

1.3 PARAMETERS RELATED TO DETECTORS

The following detector configurations can be used with the β i SVSP:

Motor sensor	Spindle sensor
α iM sensor	None
α iM sensor	α i position coder
α iMZ sensor	None
α iM sensor	External one-rotation signal

NOTE

- 1 Because of the difference in amplifier hardware specifications, the detector configurations that can be used with the β i SVSP are limited.
- 2 Only a position coder or external one-rotation signal can be used as the spindle sensor for the SVSP. (The spindle sensor refers to the detector connected to connector JYA3.)

1.3.1 List of Parameters for Detectors

For this subsection, see Subsection 1.3.1, “List of Parameters for Detectors”, in Part I.

1.3.2 Details of Parameters for Detectors

For this subsection, see Subsection 1.3.2, “Details of Parameters for Detectors”, in Part I.

1.3.3 Typical Detector Configurations

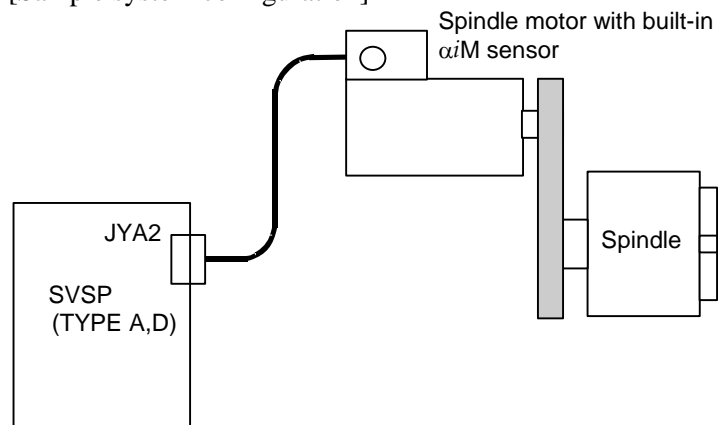
This subsection presents the spindle detector configurations usable with the βi SVSP and describes the procedure for setting parameters in these detector configurations.

With the βi SVSP, the detector circuitry hardware is set according to the parameter setting. For this reason, an alarm such as a disconnection alarm may be output while parameters related to detectors are being set.

To initialize the hardware, after setting the parameters related to detectors, turn the power to the amplifier off once.

(1) When position control is not exercised

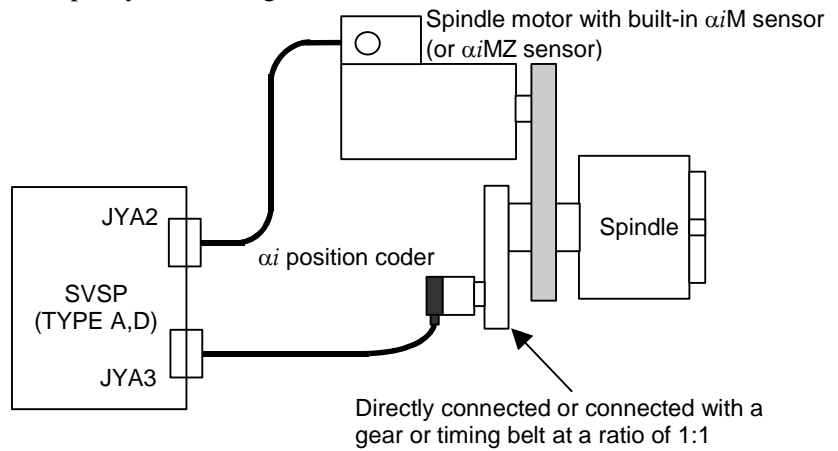
[Sample system configuration]



Parameter (0i)	Settings	Description
4002 #3,#2,#1,#0	0,0,0,0	Does not exercise position control.
4010 #2,#1,#0	Depends on the detector.	Sets the type of motor sensor.
4011 #2,#1,#0	Depends on the detector.	Sets the number of motor sensor gear teeth.

(2) When the α position coder is used

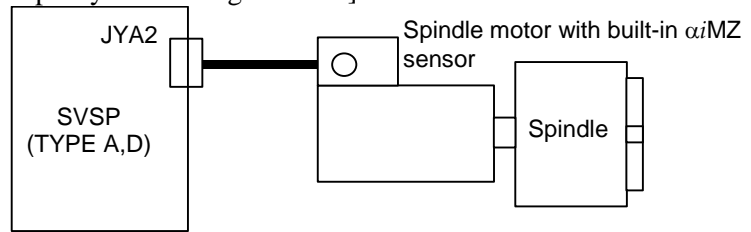
[Sample system configuration]



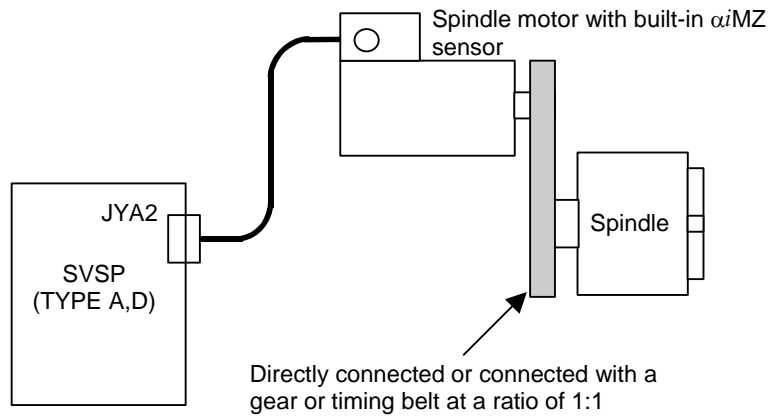
Parameter (0i)	Settings	Description
4000 #0	Depends on the configuration.	Rotation directions of the spindle and motor
4001 #4	Depends on the configuration.	Spindle sensor mounting direction
4002 #3,#2,#1,#0	0,0,1,0	Uses the α i position coder as the spindle sensor.
4003 #7,#6,#5,#4	0,0,0,0	Sets the number of spindle sensor gear teeth.
4010 #2,#1,#0	Depends on the detector.	Sets the type of motor sensor.
4011 #2,#1,#0	Depends on the detector.	Sets the number of motor sensor gear teeth.
4056 to 4059	Depends on the configuration.	Gear ratio between the spindle and motor

(3) When the α iMZ sensor is used

[Sample system configuration 1]



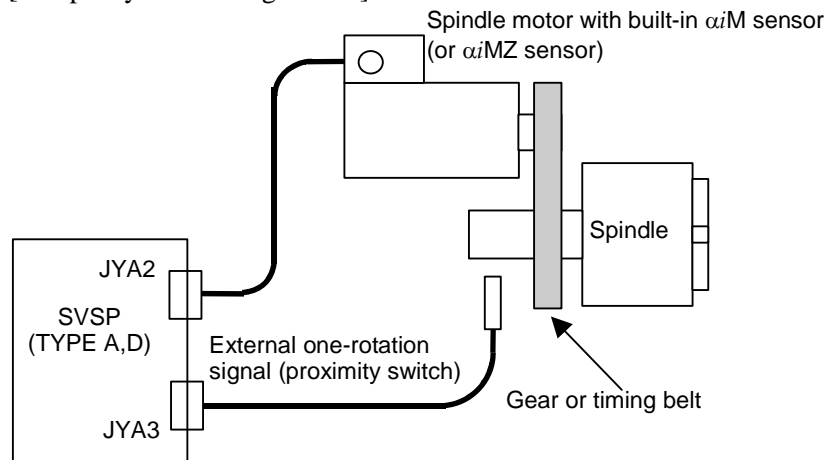
[Sample system configuration 2]



Parameter (0i)	Settings	Description
4000 #0	0	Rotation directions of the spindle and motor
4002 #3,#2,#1,#0	0,0,0,1	Uses the motor sensor for position feedback.
4010 #2,#1,#0	0,0,1	Uses the α iMZ or α iBZ sensor as the motor sensor.
4011 #2,#1,#0	Depends on the detector.	Sets the number of motor sensor gear teeth.
4056 to 4059	100 or 1000	Gear ratio between the spindle and motor 1 : 1

(4) When the external one-rotation signal (proximity switch) is used

[Sample system configuration]



Parameter (0i)	Settings	Description
4000 #0	Depends on the configuration.	Rotation directions of the spindle and motor
4002 #3,#2,#1,#0	0,0,0,1	Uses the motor sensor for position feedback.
4004 #2	1	Uses the external one-rotation signal.
4004 #3	Depends on the detector.	Sets the external one-rotation signal type.
4010 #2,#1,#0	Depends on the detector.	Sets the type of motor sensor.
4011 #2,#1,#0	Depends on the detector.	Sets the number of motor sensor gear teeth.
4056 to 4059	Depends on the configuration.	Gear ratio between the spindle and motor
4171 to 4174	Depends on the configuration.	Arbitrary gear ratio between the motor sensor and spindle

2

EXPLANATION OF OPERATION MODES

2.1 VELOCITY CONTROL MODE

2.1.1 Start-up Procedure

For this subsection, see Subsection 2.1.1, “Start-up Procedure”, in Part I.

2.1.2 Overview

For this subsection, see Subsection 2.1.2, “Overview”, in Part I.

2.1.3 System Configuration

The velocity control mode is applicable to all detector configurations. For system configurations, see Subsection 1.3.3, “Typical Detector Configurations”, in Part II.

2.1.4 List of I/O Signals (CNC \leftrightarrow PMC)

For this subsection, see Subsection 2.1.4, “List of I/O Signals (CNC \leftrightarrow PMC)”, in Part I.

2.1.5 Related Parameters

For this subsection, see Subsection 2.1.5, “Related Parameters”, in Part I.

2.1.6 Details of Related Parameters

For this subsection, see Subsection 2.1.6, “Details of Related Parameters”, in Part I.

2.1.7 Troubleshooting

For this subsection, see Subsection 2.1.7, “Troubleshooting”, in Part I.

2.2 POSITION CODER METHOD SPINDLE ORIENTATION (OPTIMUM ORIENTATION) (OPTIONAL FUNCTION)

2.2.1 Start-up Procedure

For this subsection, see Subsection 2.2.1, “Start-up Procedure”, in Part I.

2.2.2 Overview

For this subsection, see Subsection 2.2.2, “Overview”, in Part I.

2.2.3 Transition from Conventional Method Orientation to Optimum Orientation

For this subsection, see Subsection 2.2.3, “Transition from Conventional Method Orientation to Optimum Orientation”, in Part I.

2.2.4 Feature

For this subsection, see Subsection 2.2.4, “Feature”, in Part I.

2.2.5 Block Diagram

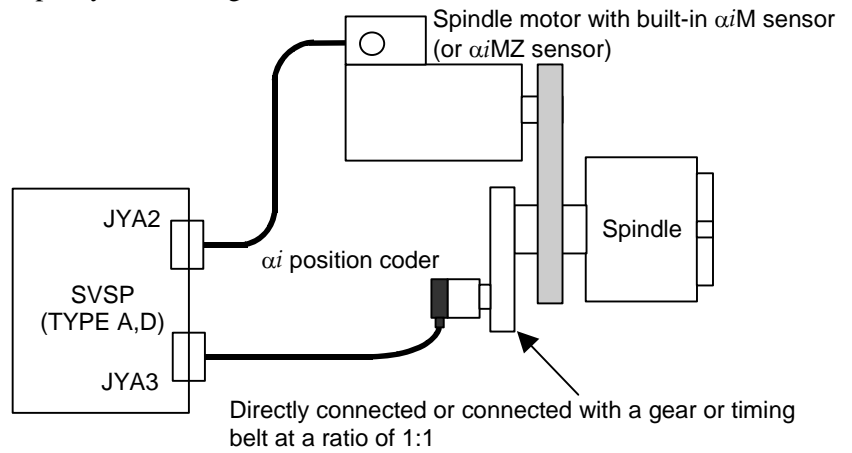
For this subsection, see Subsection 2.2.5, “Block Diagram”, in Part I.

2.2.6 System Configuration

The system configurations that enable the use of the position coder method orientation function are shown below.

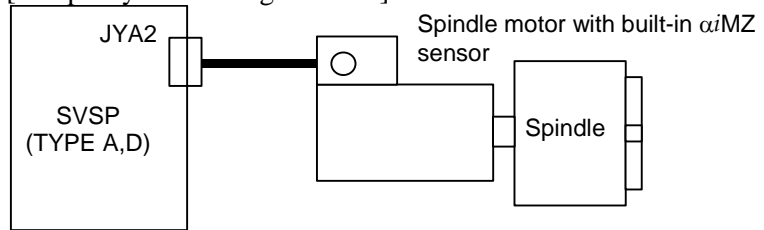
(1) When the α i position coder is used

[Sample system configuration]

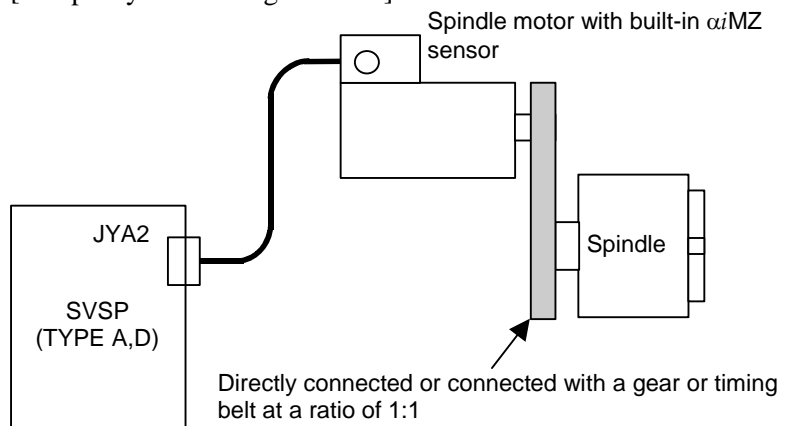


(2) When the α iMZ is used

[Sample system configuration 1]

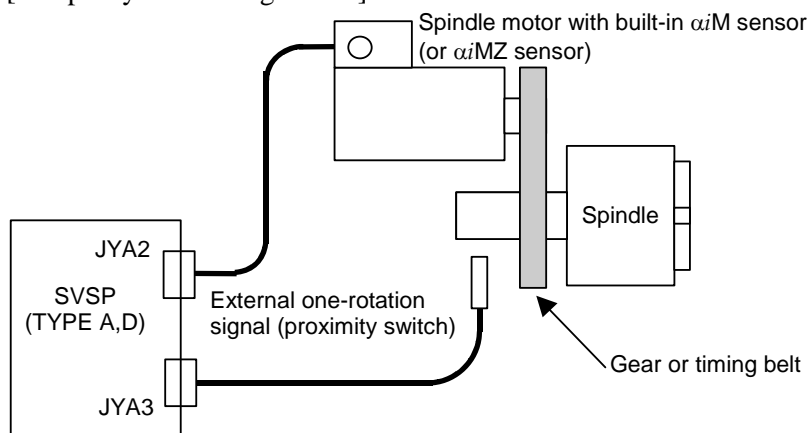


[Sample system configuration 2]



(3) When the external one-rotation signal (proximity switch) is used

[Sample system configuration]

**NOTE**

- 1 For stable detection of the one-rotation signal, fix the rotation direction (bits 3 and 2 of No. 4003) for orientation at one direction.
- 2 Set the type (bits 3 and 2 of No. 4004) of the external one-rotation signal (proximity switch).
- 3 For stable detection of the one-rotation signal, set an orientation speed (No. 4038) from 50 to 100 min^{-1} according to the specification of the external one-rotation signal (proximity switch).
- 4 The detection of the one-rotation signal starts after the orientation speed is reached.
- 5 Set the parameters (No. 4171 to No. 4174) for the numerator/denominator of an arbitrary gear ratio between the motor sensor and spindle.

2.2.7 Stop Position Specification Method

For this subsection, see Subsection 2.2.7, “Stop Position Specification Method”, in Part I.

2.2.8 I/O Signals (CNC \leftrightarrow PMC)

For this subsection, see Subsection 2.2.8, “I/O Signals (CNC \leftrightarrow PMC)”, in Part I.

2.2.9 Examples of Sequences

For this subsection, see Subsection 2.2.9, “Examples of Sequences”, in Part I.

2.2.10 Explanation of Operation

For this subsection, see Subsection 2.2.10, “Explanation of Operation”, in Part I.

2.2.11 Related Parameters

For this subsection, see Subsection 2.2.11, “Related Parameters”, in Part I.

2.2.12 Details of Related Parameters

For this subsection, see Subsection 2.2.12, “Details of Related Parameters”, in Part I.

2.2.13 Adjustment Procedure

For this subsection, see Subsection 2.2.13, “Adjustment Procedure”, in Part I.

2.2.14 Adjusting the Orientation Stop Position Shift Parameter

For this subsection, see Subsection 2.2.14, “Adjusting the Orientation Stop Position Shift Parameter”, in Part I.

2.2.15 Supplementary Descriptions

For this subsection, see Subsection 2.2.15, “Supplementary Descriptions”, in Part I.

2.3 RIGID TAPPING (OPTIONAL FUNCTION)

2.3.1 Start-up Procedure

For this subsection, see Subsection 2.3.1, “Start-up Procedure”, in Part I.

2.3.2 Overview

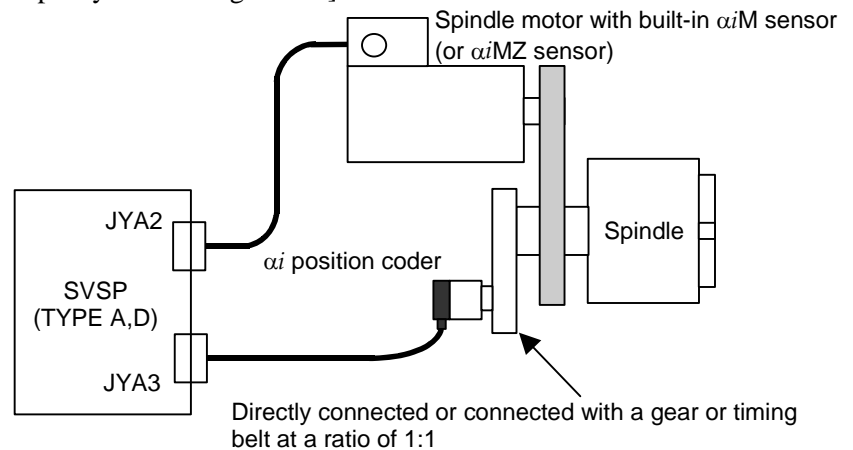
For this subsection, see Subsection 2.3.2, “Overview”, in Part I.

2.3.3 System Configuration

The system configurations that enable the use of rigid tapping are shown below.

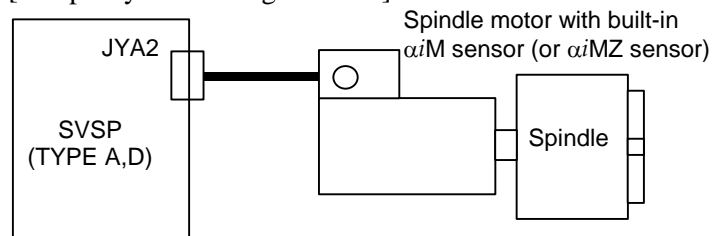
(1) When the α i position coder is used

[Sample system configuration]

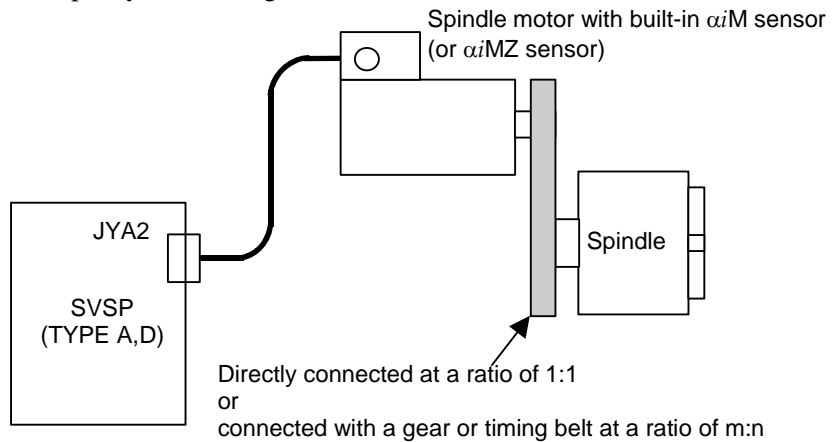


(2) When the spindle motor with built-in α iM sensor (or α iMZ sensor) is used

[Sample system configuration 1]



[Sample system configuration 2]

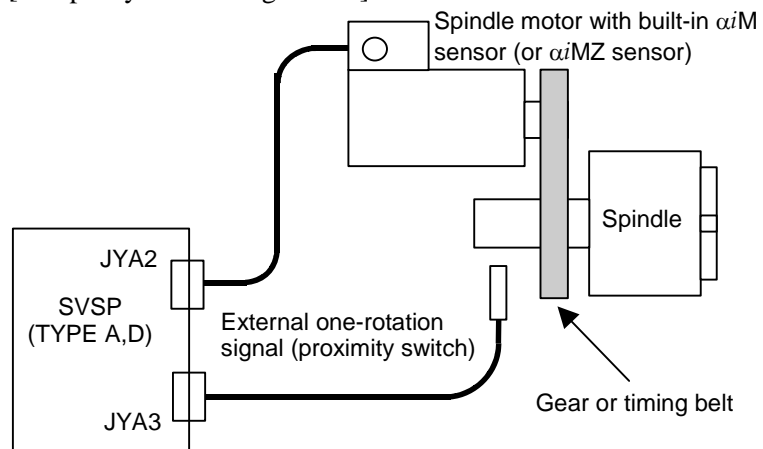


NOTE

- 1 When performing rigid tapping by using a signal from the sensor built into the motor as a position feedback signal, use one of the following functions if the gear ratio between the motor and spindle is other than 1:1
 - (a) Detection arbitrary gear ratio function (DMR function)
 - (b) Command arbitrary gear ratio function (CMR function)
- 2 When using the detection arbitrary gear ratio function (DMR function), set the following:
 - Parameters (No. 4171 to No. 4174) for the numerator/denominator of an arbitrary gear ratio between the motor sensor and spindle
- 3 When using the detection arbitrary gear ratio function (DMR function) with a motor containing a built-in αiMZ sensor, set bit 6 of No. 4007 to 1 so that the alarms related to the position feedback signal (when non-Cs contouring control is exercised) are not detected.
- 4 When using the command arbitrary gear ratio function (CMR function) with FS16*i*, set the following:
 - Enable the setting of an arbitrary gear ratio between the spindle and position coder (bit 1 of No. 5200 = 1).
 - Enable the setting of the command arbitrary gear ratio function (CMR) on rigid tapping (bit 7 of No. 4006 = 1).
 - Set the parameters for specifying the number of gear teeth on the spindle side (No. 5221 to No. 5224).
 - Set the parameters for specifying the number of gear teeth on the position coder side (No. 5231 to No. 5234).
- 5 Reference position return can be performed when a motor with a built-in αiMZ sensor is used and the spindle is directly connected to the motor or the spindle is connected to the motor at a ratio of 1:1.

(3) When the external one-rotation signal (proximity switch) is used

[Sample system configuration]



NOTE

- 1 When using the external one-rotation signal (proximity switch), use the detection arbitrary gear ratio function (DMR function).
- 2 When using the detection arbitrary gear ratio function (DMR function), set the following:
 - Parameters (No. 4171 to No. 4174) for the numerator/denominator of an arbitrary gear ratio between the motor sensor and spindle
- 3 Set the type of the external one-rotation signal (proximity switch) (bits 3 and 2 of No. 4004).
- 4 For stable detection of the one-rotation signal, set a reference position return speed (No. 4074) from 50 to 100 min^{-1} according to the specification of the used external one-rotation signal (proximity switch).
- 5 When orientation based on the external one-rotation signal is used together, match the reference position return speed and direction with the orientation speed and direction.

2.3.4 List of I/O Signals (CNC \leftrightarrow PMC)

For this subsection, see Subsection 2.3.4, “List of I/O Signals (CNC \leftrightarrow PMC)”, in Part I.

2.3.5 Sequence

For this subsection, see Subsection 2.3.5, “Sequence”, in Part I.

2.3.6 Related Parameters

For this subsection, see Subsection 2.3.6, “Related Parameters”, in Part I.

2.3.7 Details of Related Parameters

For this subsection, see Subsection 2.3.7, “Details of Related Parameters”, in Part I.

2.3.8 Parameter Setting Procedure

For this subsection, see Subsection 2.3.8, “Parameter Setting Procedure”, in Part I.

2.3.9 Adjustment Procedure

For this subsection, see Subsection 2.3.9, “Adjustment Procedure”, in Part I.

2.3.10 Diagnosis (Diagnosis Screen)

For this subsection, see Subsection 2.3.10, “Diagnosis (Diagnosis Screen)”, in Part I.

2.3.11 Alarm

For this subsection, see Subsection 2.3.11, “Alarm”, in Part I.

2.4 Cs CONTOURING CONTROL (OPTIONAL FUNCTION)

2.4.1 Start-up Procedure

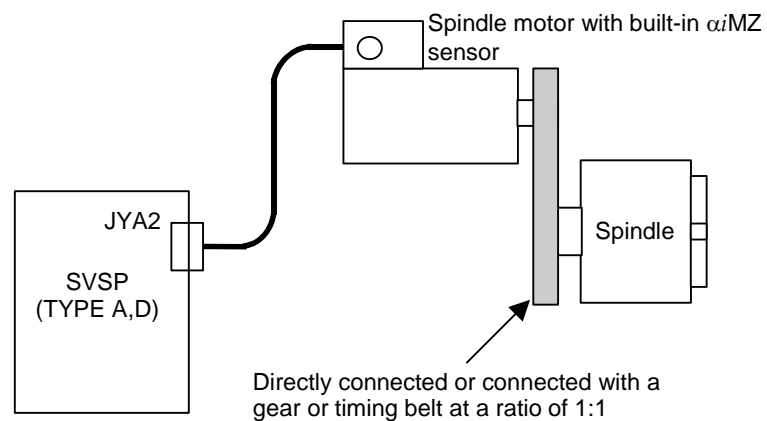
For this subsection, see Subsection 2.4.1, “Start-up Procedure”, in Part I.

2.4.2 Overview

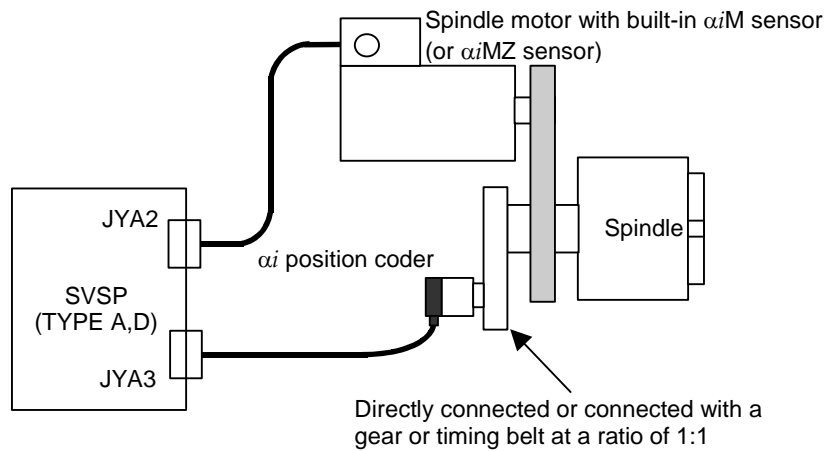
For this subsection, see Subsection 2.4.2, “Overview”, in Part I.

2.4.3 System Configuration

(1) When a motor with a built-in α iMZ sensor is used



Parameter (0i)	Settings	Description
4000 #0	0	Rotation directions of the spindle and motor
4002 #3,#2,#1,#0	0,0,0,1	Uses the motor sensor for position feedback.
4010 #2,#1,#0	0,0,1	Uses the α iMZ sensor as the motor sensor.
4011 #2,#1,#0	Depends on the detector.	Sets the number of motor sensor gear teeth.
4056 to 4059	100 or 1000	The spindle-to-motor gear ratio is 1:1.

(2) When an α i position coder is used

Parameter (0i)	Settings	Description
4002 #3,#2,#1,#0	0,0,1,0	α i position coder
4003 #7,#6,#5,#1	0,0,0,0	α i position coder
4010 #2,#1,#0	Depends on the detector.	Sets the type of motor sensor.
4011 #2,#1,#0	Depends on the detector.	Sets the number of motor sensor gear teeth.
4056 to 4059	Depends on the configuration.	Gear ratio between the spindle and motor
4171 to 4174	Depends on the configuration.	Sets the gear ratio between the spindle and motor when the position coder feedback interpolation function is used.
4398#0	The setting of 1 is recommended.	Sets the position coder feedback interpolation function.

2.4.4 List of I/O Signals (CNC \leftrightarrow PMC)

For this subsection, see Subsection 2.4.4, “List of I/O Signals (CNC \leftrightarrow PMC)”, in Part I.

2.4.5 Examples of Sequences

For this subsection, see Subsection 2.4.5, “Examples of Sequences”, in Part I.

2.4.6 Velocity Loop Gains Override Function on Cs Contouring Control Mode

For this subsection, see Subsection 2.4.6, “Velocity Loop Gains Override Function on Cs Contouring Control Mode”, in Part I.

2.4.7 Related Parameters

For this subsection, see Subsection 2.4.7, “Related Parameters”, in Part I.

2.4.8 Details of Related Parameters

For this subsection, see Subsection 2.4.8, “Details of Related Parameters”, in Part I.

The βi series spindle motor, however, enables Cs contouring control in a system where an αi position coder is used as the position sensor. In such a case, control improvements such as smooth low-speed feed can be made by using the position coder feedback interpolation function set with the parameter below.

αi	#7	#6	#5	#4	#3	#2	#1	#0
4398	□	□	□	□	□	□	□	PCCSCM

PCCSCM

Sets the position coder feedback interpolation function.

0 : Disables the position coder feedback interpolation function.

1 : Enables the position coder feedback interpolation function.

When an αi position coder is used for spindle position feedback to exercise Cs contouring control, this function improves control performance with position coder feedback pulse interpolation using high-resolution motor side feedback. To use this function, set this parameter to 1.

This function is valid only when the spindle sensor is an αi position coder. When the gear ratio between the spindle and motor is not 1:1, be sure to set an arbitrary gear ratio (No. 4171 through No. 4174) between the spindle and motor.

NOTE

- 1 This parameter is valid with 9D50 series H (08) edition or later.
- 2 When Cs contouring control is exercised in a system where an αi position coder is used as the position sensor, the position feedback resolution is 0.088 deg. In this case, the position error may not converge to 0, depending on the specified position. So, a value greater than 88 pulses (0.088 deg) must be set as the effective area (No. 1826).

0i	
4171	Denominator of an arbitrary gear ratio between the motor sensor and spindle (HIGH) CTH1A=0
4172	Numerator of an arbitrary gear ratio between the motor sensor and spindle (HIGH) CTH1A=0
4173	Denominator of an arbitrary gear ratio between the motor sensor and spindle (LOW) CTH1A=1
4174	Numerator of an arbitrary gear ratio between the motor sensor and spindle (LOW) CTH1A=1

Unit of data :

Valid data range : 0 to 32767

Standard setting value : 0

These parameters set conversion coefficients (numerator, denominator) for using the detection arbitrary gear ratio function (DMR function) by multiplying a motor sensor (α iM sensor) feedback signal by a gear ratio to produce a spindle position feedback signal.

When the spindle rotates Q times while the motor shaft rotates P times (there is no common divisor other than 1 for P and Q), the settings are:

No. 4171 (No. 4173 when CTH1A = 1) = P

No. 4172 (No. 4173 when CTH1A = 1) = Q

When 0 is set in any of these parameters, the setting of 1 is assumed.

NOTE

Note that if an improper value is set in this parameter, the position coder feedback interpolation function does not function normally.

2.4.9 Diagnosis (Diagnosis Screen)

For this subsection, see Subsection 2.4.9, “Diagnosis (Diagnosis Screen)”, in Part I.

2.4.10 Alarm

For this subsection, see Subsection 2.4.10, “Alarm”, in Part I.

2.5 SPINDLE SYNCHRONOUS CONTROL (OPTIONAL FUNCTION)

2.5.1 Start-up Procedure

For this subsection, see Subsection 2.5.1, “Start-up Procedure”, in Part I.

2.5.2 Overview

For this subsection, see Subsection 2.5.2, “Overview”, in Part I.

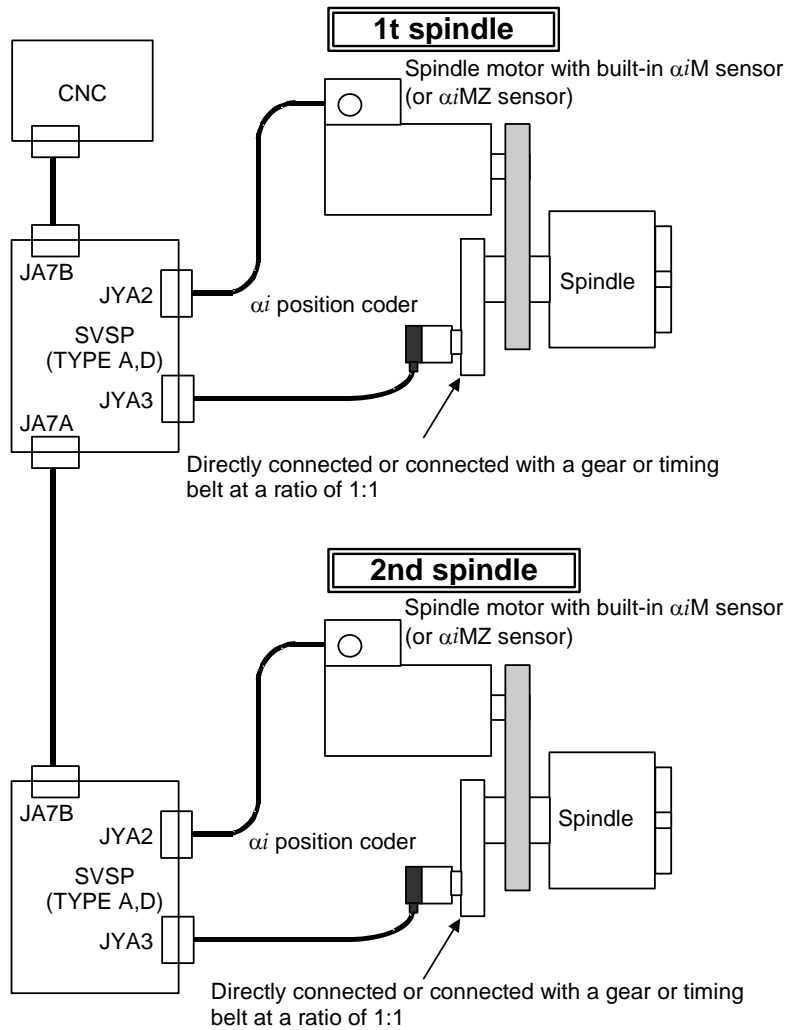
2.5.3 System Configuration

The system configurations that enable the use of the spindle synchronous control function are shown below.

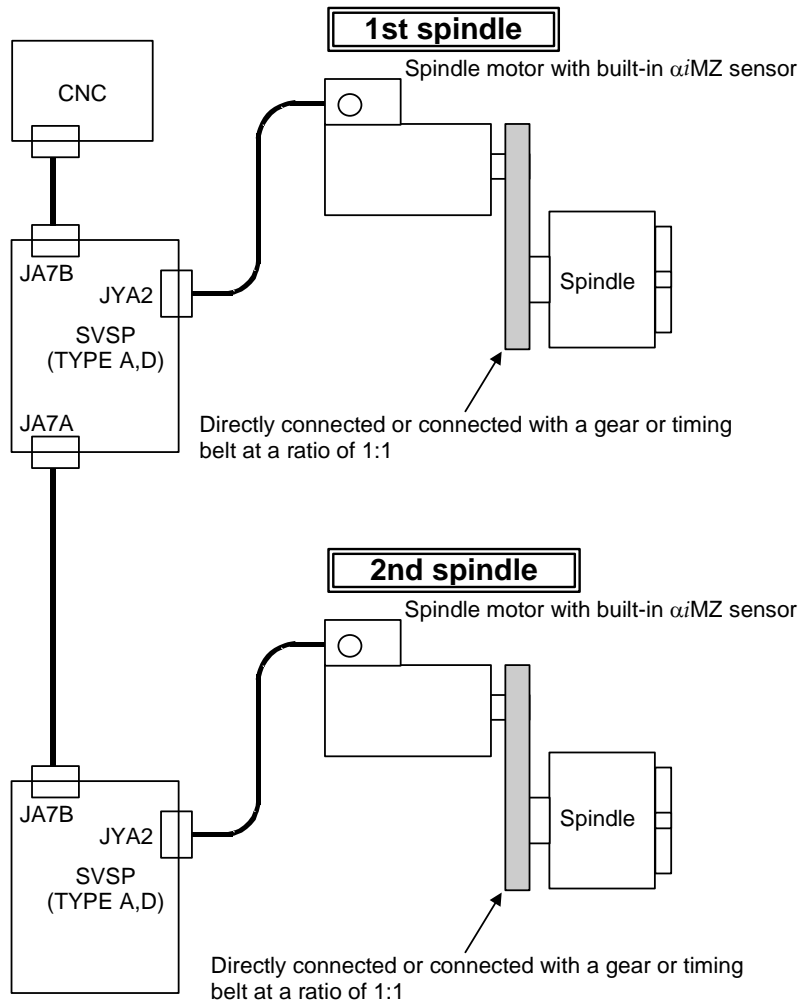
NOTE

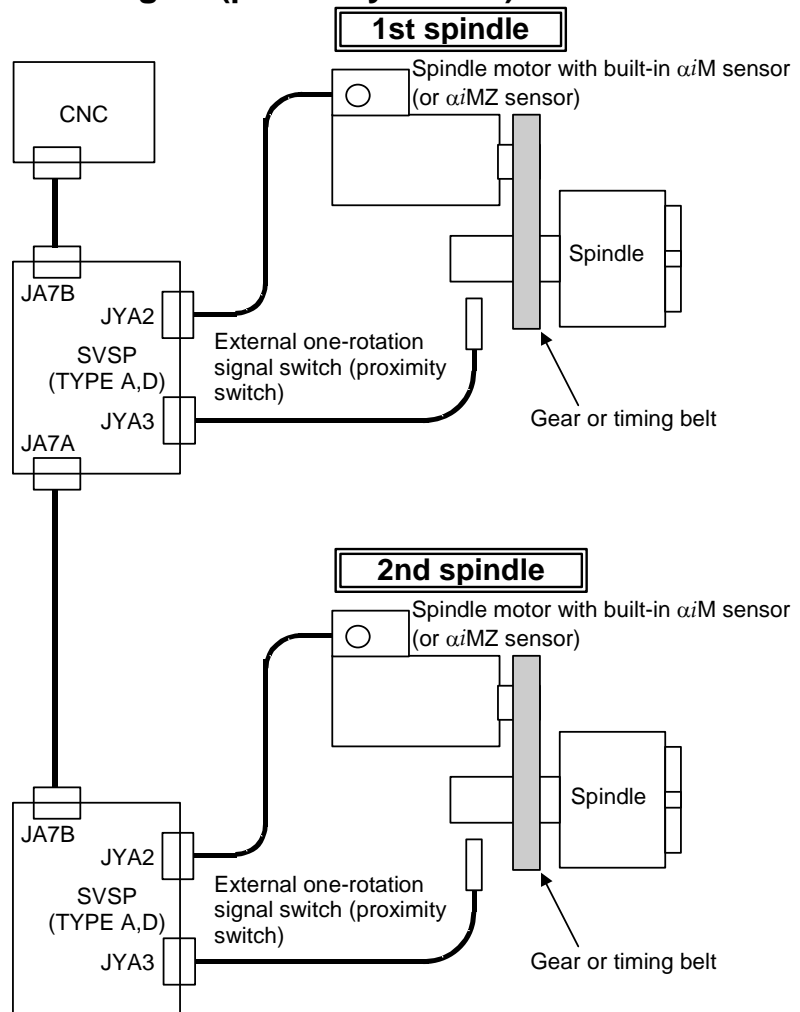
Spindle synchronous control between spindles each having a different detector configuration is possible.

(1) When the αi position coder is used



(2) When the spindle motor with built-in α iMZ sensor is used



(3) When the external one-rotation signal (proximity switch) is used**NOTE**

- 1 When using the external one-rotation signal (proximity switch), use the detection arbitrary gear ratio function (DMR function).
- 2 When using the detection arbitrary gear ratio function (DMR function), set the following:
 - Parameters (No. 4171 to No. 4174) for the numerator/denominator of an arbitrary gear ratio between the motor sensor and spindle
- 3 Set the type of the external one-rotation signal (proximity switch) (bits 3 and 2 of No. 4004).
- 4 For stable detection of the one-rotation signal, detect the one-rotation signal by performing spindle orientation before entering spindle synchronous control mode.

For orientation based on the external one-rotation signal, see Section 2.2, "POSITION CODER METHOD ORIENTATION", in Part I.

2.5.4 Explanation of Operation

For this subsection, see Subsection 2.5.4, “Explanation of Operation”, in Part I.

2.5.5 I/O Signals (CNC \leftrightarrow PMC)

For this subsection, see Subsection 2.5.5, “I/O Signals (CNC \leftrightarrow PMC)”, in Part I.

2.5.6 Examples of Sequences

For this subsection, see Subsection 2.5.6, “Examples of Sequences”, in Part I.

2.5.7 Related Parameters

For this subsection, see Subsection 2.5.7, “Related Parameters”, in Part I.

2.5.8 Details of Related Parameters

For this subsection, see Subsection 2.5.8, “Details of Related Parameters”, in Part I.

2.5.9 Number of Error Pulses in Spindle Synchronous Control

For this subsection, see Subsection 2.5.9, “Number of Error Pulses in Spindle Synchronous Control”, in Part I.

2.5.10 Specifying a Shift Amount for Spindle Phase Synchronous Control

For this subsection, see Subsection 2.5.10, “Specifying a Shift Amount for Spindle Phase Synchronous Control”, in Part I.

2.5.11 Diagnosis (Diagnosis Screen)

For this subsection, see Subsection 2.5.11, “Diagnosis (Diagnosis Screen)”, in Part I.

2.5.12 Alarm

For this subsection, see Subsection 2.5.12, “Alarm”, in Part I.

2.6 SPECIFICATIONS COMMON TO ALL OPERATION MODES

2.6.1 Overview

For this subsection, see Subsection 2.6.1, “Overview”, in Part I.

2.6.2 List of I/O Signals (CNC \leftrightarrow PMC)

For this subsection, see Subsection 2.6.2, “List of I/O Signals (CNC \leftrightarrow PMC)”, in Part I.

2.6.3 Parameters

For this subsection, see Subsection 2.6.3, “Parameters”, in Part I.

2.6.4 Details of parameters

For this subsection, see Subsection 2.6.4, “Details of parameters”, in Part I.

Note that, however, the standard setting value of the following parameter differs among the β i series spindle motors:

$0i$

4090

Overload detection level

Unit of data : 1%
 Valid data range : 0 to 100
 Standard setting value : 95

This parameter sets the condition for detecting a short-time overload alarm (spindle alarm 29).

If a load more than the set percentage (maximum motor output [load meter full scale] = 100%) is applied to the spindle motor for a predetermined time period (set by parameter No. 4123), a short-time overload alarm (spindle alarm 29) is issued.

2.6.5 Diagnosis (Diagnosis Screen)

For this subsection, see Subsection 2.6.5, “Diagnosis (Diagnosis Screen)”, in Part I.

3

I/O SIGNALS (CNC↔PMC)

This chapter explains the functions of the signals directly input from the PMC to SVSP via the CNC and the signals directly output from the SVSP to PMC. For other spindle-related I/O signals, refer to the manual of the relevant CNC.

3.1 INPUT SIGNALS (PMC \rightarrow CNC \rightarrow SVSP)

This section explains the functions of the signals directly input from the PMC to SVSP via the CNC. For other spindle-related input signals, refer to the manual of the relevant CNC.

3.1.1 List of Input Signals

	O_i	#7	#6	#5	#4	#3	#2	#1	#0
1st-	G070	MRDYA	ORCMA	SFRA	SRVA	CTH1A	CTH2A	TLMHA	TLMLA
2nd-	G074	MRDYB	ORCMB	SFRB	SRVB	CTH1B	CTH2B	TLMHB	TLMLB
1st-	G071			INTGA	SOCNA			*ESPA	ARSTA
2nd-	G075			INTGB	SOCNB			*ESPB	ARSTB
1st-	G072			INCMDA	OVR A		NRROA	ROTA A	INDXA
2nd-	G076			INCMDB	OVR B		NRROB	ROTA B	INDXB
1st-	G073				DSCNA		MPOFA		
2nd-	G077				DSCNB		MPOFB		

3.1.2 Explanation of Input Signals

For information about the signals listed in Subsection 3.1.1, “List of Input Signals”, in Part II, see Subsection 3.1.2, “Explanation of Input Signals”, in Part I.

Those signals that are not listed in Subsection 3.1.1, “List of Input Signals”, in Part II are not used with the β i SVSP series spindle.

3.1.3 Details of input signals

For information about the signals listed in Subsection 3.1.1, “List of Input Signals”, in Part II, see Subsection 3.1.3, “Details of input signals”, in Part I.

Those signals that are not listed in Subsection 3.1.1, “List of Input Signals”, in Part III are not used with the β i SVSP series spindle.

3.2 OUTPUT SIGNALS (SVSP→CNC→PMC)

This section explains the functions of the signals directly output from the SVSP to PMC via the CNC. For other spindle-related output signals, refer to the manual of the relevant CNC.

3.2.1 List of Output Signals

	O_i	#7	#6	#5	#4	#3	#2	#1	#0
1st-	F045	ORARA	TLMA	LDT2A	LDT1A	SARA	SDTA	SSTA	ALMA
2nd-	F049	ORARB	TLMB	LDT2B	LDT1B	SARB	SDTB	SSTB	ALMB
1st-	F047				EXOFA			INCSTA	PC1DTA
2nd-	F051				EXOFB			INCSTB	PC1DTB

3.2.2 Explanation of Output Signals

For information about the signals listed in Subsection 3.2.1, “List of Output Signals”, in Part II, see Subsection 3.2.2, “Explanation of Output Signals”, in Part I.

Those signals that are not listed in Subsection 3.2.1, “List of Output Signals”, in Part II are not used with the β i SVSP series spindle.

3.2.3 Details of Output Signals

For information about the signals listed in Subsection 3.2.1, “List of Output Signals”, in Part II, see Subsection 3.2.3, “Details of Output Signals”, in Part I.

Those signals that are not listed in Subsection 3.2.1, “List of Output Signals”, in Part II are not used with the β i SVSP series spindle.

4

ADJUSTMENT

4.1 VELOCITY LOOP GAIN ADJUSTMENT

4.1.1 Overview

For this subsection, see Subsection 4.1.1, “Overview”, in Part I.

4.1.2 Parameters

For this subsection, see Subsection 4.1.2, “Parameters”, in Part I.

4.1.3 Adjustment Procedure

For this subsection, see Subsection 4.1.3, “Adjustment Procedure”, in Part I.

4.1.4 Additional Information (Position Gain Adjustment)

For this subsection, see Subsection 4.1.4, “Additional Information (Position Gain Adjustment)”, in Part I.

5

FUNCTION DESCRIPTIONS

5.1 INCRMENTAL COMMAND TYPE SPINDLE ORIENTATION (SPINDLE ROTATION SPEED CONTROL) (OPTIONAL FUNCTION)

5.1.1 Overview

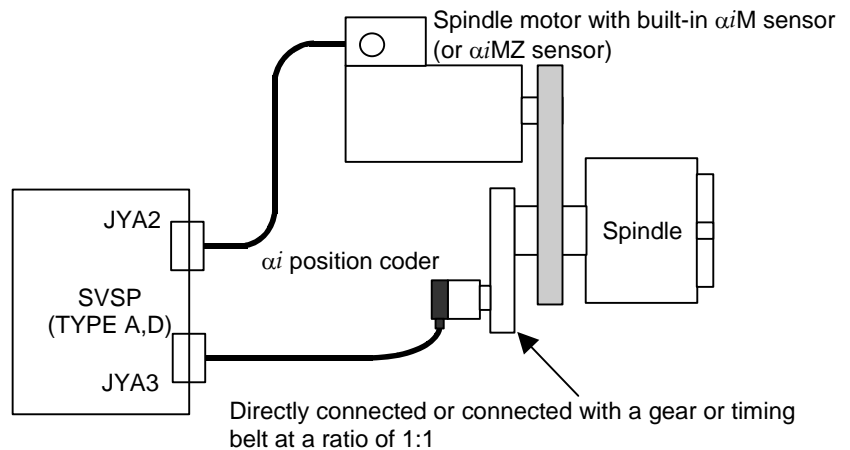
For this subsection, see Subsection 5.3.1, “Overview”, in Part I.

5.1.2 System Configuration

The incremental command type spindle orientation function can be used in the following system configuration.

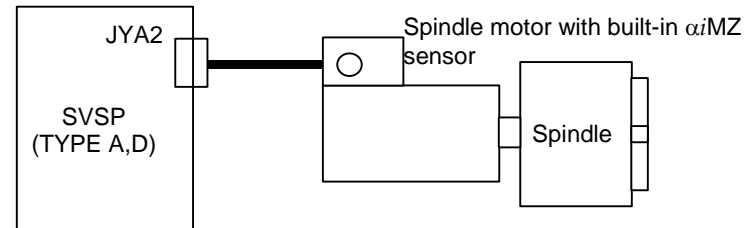
(1) When the α i position coder is used

[Sample system configuration]

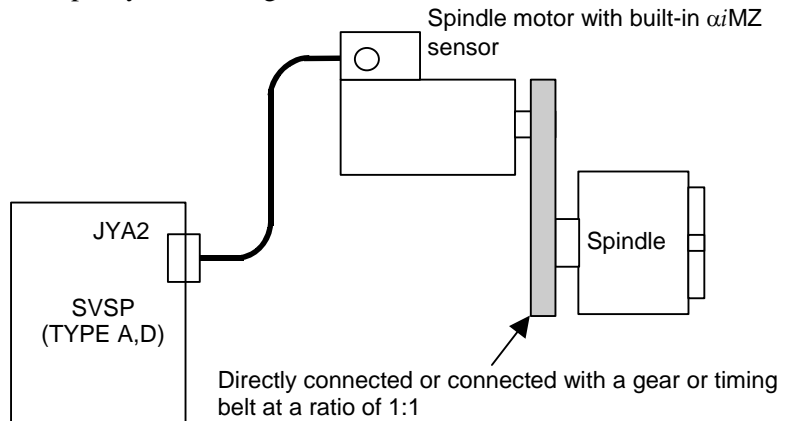


(2) When the spindle motor with built-in α iMZ sensor is used

[Sample system configuration 1]

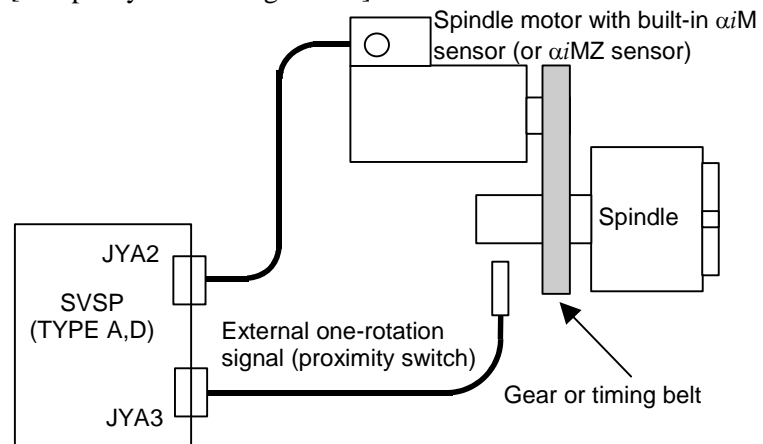


[Sample system configuration 2]



(3) When the external one-rotation signal (proximity switch) is used

[Sample system configuration]



NOTE

- 1 To detect the one-rotation signal securely, fix the direction (bits 3 and 2 of parameter No. 4003) in which the spindle rotates during spindle orientation to one direction.
- 2 Specify the type (bits 3 and 2 of parameter No. 4004) of an external one-rotation signal (proximity switch).
- 3 To detect the one-rotation signal securely, set the spindle orientation speed (parameter No. 4038) to a value between 50 and 100 min^{-1} according to the specification of the external one-rotation signal (proximity switch).
- 4 A sequence for detecting the one-rotation signal is started after the orientation speed has been reached.
- 5 Specify the denominator/numerator parameters (Nos. 4171 to 4174) of an arbitrary gear ratio between the motor sensor and spindle.

5.1.3 I/O Signals (CNC \leftrightarrow PMC)

(1) Address list of input signals (PMC \rightarrow CNC)

	O_i	#7	#6	#5	#4	#3	#2	#1	#0
1st-	G070		ORCMA			CTH1A	CTH2A		
2nd-	G074		ORCMB			CTH1B	CTH2B		
1st-	G072			INCMDA			NRROA	ROTA	INDXA
2nd-	G076			INCMDB			NRROB	ROTAB	INDXB
1st-	G078	SHA07	SHA06	SHA05	SHA04	SHA03	SHA02	SHA01	SHA00
2nd-	G080	SHB07	SHB06	SHB05	SHB04	SHB03	SHB02	SHB01	SHB00
1st-	G079					SHA11	SHA10	SHA09	SHA08
2nd-	G081					SHB11	SHB10	SHB09	SHB08

(2) Details of input signals (PMC \rightarrow CNC)

For this subsection, see Item 5.2.3 (2), “Details of input signals (PMC \rightarrow CNC)”, in Part I.

(3) Address list of output signals (CNC \rightarrow PMC)

	O_i	#7	#6	#5	#4	#3	#2	#1	#0
1st-	F045	ORARA							
2nd-	F049	ORARB							
1st-	F047							INCSTA	
2nd-	F051							INCSTB	

(4) Details of output signals (CNC \rightarrow PMC)

For this subsection, see Item 5.2.3 (4), “Details of output signals (CNC \rightarrow PMC)”, in Part I.

5.1.4 Examples of Sequences

For this subsection, see Subsection 5.3.5, “Examples of Sequences”, in Part I.

5.1.5 List of Related Parameters

Parameter No.	Description
$0i$	
4015 #0	Whether the spindle orientation function is available (to be set to "1") (The CNC software option is required.)
3702#3,#2	Whether the stop position external setting-type spindle orientation function is available (to be set to "1") (Bit 2: 1st spindle. Bit 3: 2nd spindle)
4328	Command multiplier for incremental command external setting data

NOTE

This subsection describes only the parameters specific to incremental command type spindle orientation. See Section 2.2, "POSITION CODER METHOD SPINDLE ORIENTATION" in Part I, for parameters related to other types of spindle orientation.

5.1.6 Details of Related Parameters

For this subsection, see Subsection 5.3.7, "Details of Related Parameters", in Part I.

5.2 CONVENTIONAL METHOD ORIENTATION (OPTIONAL FUNCTION)

5.2.1 Overview

For this subsection, see Subsection 5.4.1, “Overview”, in Part I.

5.2.2 System Configuration

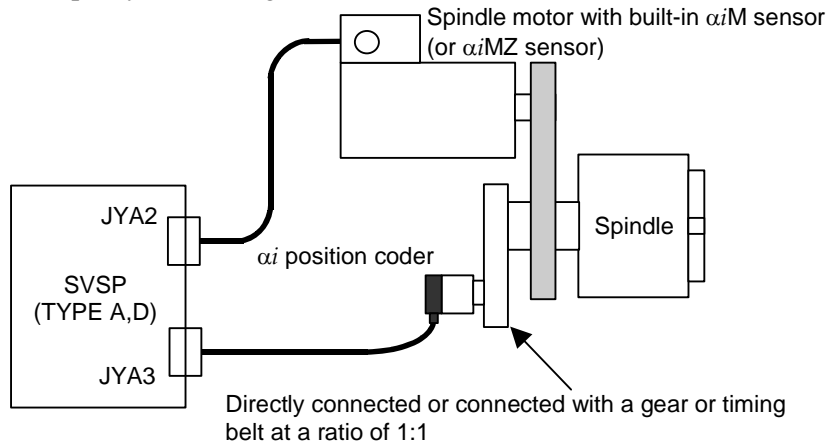
Explained below is a system configuration in which the conventional method spindle orientation function is usable.

NOTE

This function cannot be used in an external one-rotation signal-based spindle orientation system in which a proximity switch is used.

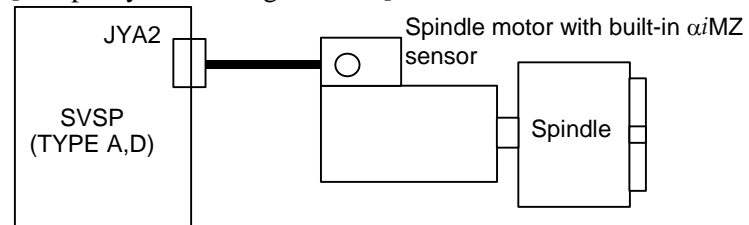
(1) When the α i position coder is used

[Sample system configuration]

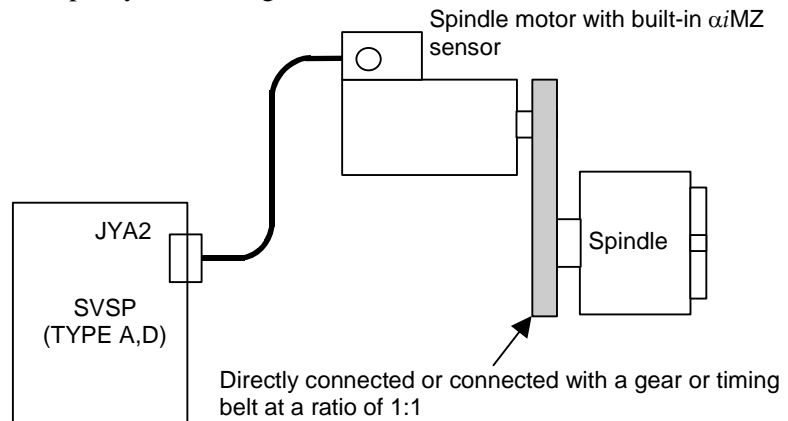


(2) When the spindle motor with built-in α iMZ sensor is used

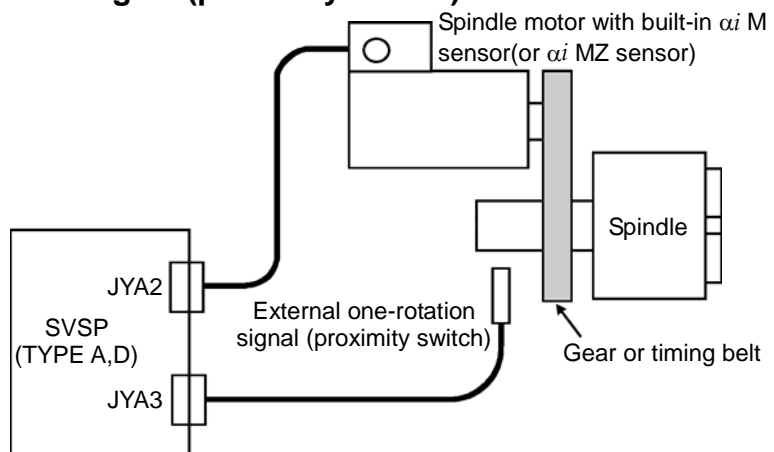
[Sample system configuration 1]



[Sample system configuration 2]



(3) When the external one-rotation signal (proximity switch) is used



NOTE

- *1 To detect the one-rotation signal securely, fix the direction in which the spindle rotates during spindle orientation (bits 3 and 2 of parameter No. 4003) to one direction.
- *2 Specify the type of external one-rotation signal (proximity switch) (bits 3 and 2 of parameter No. 4004).
- *3 To detect the one-rotation signal securely, set the spindle orientation speed (parameter No. 4038) to a value between 50 and 100 min^{-1} according to the specification of the external one-rotation signal (proximity switch) you use.
- *4 A sequence for detecting the one-rotation signal is started after the orientation speed has been reached.
- *5 Specify the denominator/numerator parameters of an arbitrary gear ratio between the motor sensor and spindle (Nos. 4171 to 4174).

5.2.3 I/O Signals (CNC \leftrightarrow PMC)

For this subsection, see Section 2.2, “POSITION CODER METHOD SPINDLE ORIENTATION”, and Section 5.3, “INCREMENTAL COMMAND TYPE SPINDLE ORIENTATION”, in Part I.

5.2.4 Sequence

For this subsection, see Subsection 5.4.5, “Sequence”, in Part I.

5.2.5 List of Related Parameters

For this subsection, see Subsection 5.4.6, “List of Related Parameters”, in Part I.

5.2.6 Details of Related Parameters

For this subsection, see Subsection 5.4.7, “Details of Related Parameters”, in Part I.

5.2.7 Adjusting the Orientation Stop Position Shift Parameter

For this subsection, see Subsection 5.4.8, “Adjusting the Orientation Stop Position Shift Parameter”, in Part I.

5.2.8 Calculating the Position Gain for Orientation

For this subsection, see Subsection 5.4.9, “Calculating the Position Gain for Orientation”, in Part I.

5.2.9 Calculating the Orientation Time

For this subsection, see Subsection 5.4.10, “Calculating the Orientation Time”, in Part I.

5.3 SPINDLE FINE ACC./DEC. (FAD) FUNCTION

5.3.1 Overview

The spindle fine Acc./Dec. (FAD) function realizes smooth acceleration/deceleration during rigid tapping and Cs contouring control by performing acceleration/deceleration processing with spindle software. It can reduce mechanical shocks that may accompany acceleration/deceleration.

NOTE

This function is usable in a combination of the β i SVSP and the FANUC Series 0i / 0i Mate-MODEL B or FANUC Series 0i / 0i Mate-MODEL C CNC.

5.3.2 Series and Editions of Applicable Spindle Software

Spindle software

Series	Edition	Remark
9D50	E(05) edition or later	

CNC software

Series	Edition	Remark
D4A1	A(01) edition or later	For the FANUC Series 0i-MB
D501	A(01) edition or later	For the FANUC Series 0i Mate-MB
D6A1	A(01) edition or later	For the FANUC Series 0i-TB
D701	A(01) edition or later	For the FANUC Series 0i Mate-TB
D4B1	A(01) edition or later	For the FANUC Series 0i-MC
D511	A(01) edition or later	For the FANUC Series 0i Mate-MC
D6B1	A(01) edition or later	For the FANUC Series 0i-TC
D711	A(01) edition or later	For the FANUC Series 0i Mate-TC

5.3.3 Block Diagram

For this subsection, see Subsection 5.6.3, "Block Diagram", in Part I.

5.3.4 Parameters

(1) List of Related Parameters

Parameter No.	Description
$0i$	
5205#7	Setting of fine Acc./Dec. during rigid tapping
4394#3	Spindle fine Acc./Dec. function bit
4394#4	Acceleration/deceleration type during spindle fine Acc./Dec.
4344	Feed-forward coefficient during fine Acc./Dec.
4037	Velocity loop feed-forward coefficient during fine Acc./Dec.
4408	Fine Acc./Dec. time constant

(2) Details of parameters related to rigid tapping

For this subsection, see Item 5.6.4 (2), “Details of parameters related to rigid tapping”, in Part I.

(3) Details of parameters related to serial spindles

For this subsection, see Item 5.6.4 (3), “Details of parameters related to serial spindles”, in Part I.

5.3.5 Diagnosis (Diagnosis Screen)

Address	Description
$0i$	
418	1st-spindle (regular) position error
420	2nd-spindle (regular) position error
714	1st-spindle (FAD) position error
715	2nd-spindle (FAD) position error

5.3.6 Status Errors

For this subsection, see Subsection 5.6.6, “Status Errors”, in Part I.

5.3.7 Cautions

For this subsection, see Subsection 5.6.7, “Cautions”, in Part I.

5.4 UNEXPECTED DISTURBANCE TORQUE DETECTION FUNCTION (OPTIONAL FUNCTION)

5.4.1 Overview

For this subsection, see Subsection 5.7.1, “Overview”, in Part I.

5.4.2 Series and Editions of Applicable Spindle Software

For this subsection, see Subsection 5.7.2, “Series and Editions of Applicable Spindle Software”, in Part I.

5.4.3 I/O Signals (CNC↔PMC)

(1) Address list of output signals (CNC→PMC)

O_i	#7	#6	#5	#4	#3	#2	#1	#0
F090						ABTSP2	ABTSP1	

(2) Details of output signals (CNC→PMC)

- (a) First-spindle unexpected disturbance torque detection signals (ABTSP1 and AQSP1)
- (b) Second-spindle unexpected disturbance torque detection signals (ABTSP2 and AQSP2)

These signals are output when the estimated load torques on the respective spindles become higher than or equal to the set level. Refer to an applicable CNC Manual for details.

5.4.4 List of Related Parameters

Parameter No.	Description
O_i	
4015 #1	Whether the unexpected disturbance torque detection function is available (The CNC software option is required.)
4248	Torque constant for spindle load torque monitoring
4249	Observer gain 1 for spindle load torque monitoring
4250	Observer gain 2 for spindle load torque monitoring
4341	Unexpected disturbance torque detection level

5.4.5 Details of Related Parameters

For this subsection, see Subsection 5.7.5, “Details of Related Parameters”, in Part I.

5.4.6 Parameter Tuning Procedure

For this subsection, see Subsection 5.7.6, “Parameter Tuning Procedure”, in Part I.

5.5 HIGH-SPEED SPINDLE ORIENTATION (OPTIONAL FUNCTION)

5.5.1 Overview

For this subsection, see Subsection 5.14.1, “Overview”, in Part I.

5.5.2 System Configuration

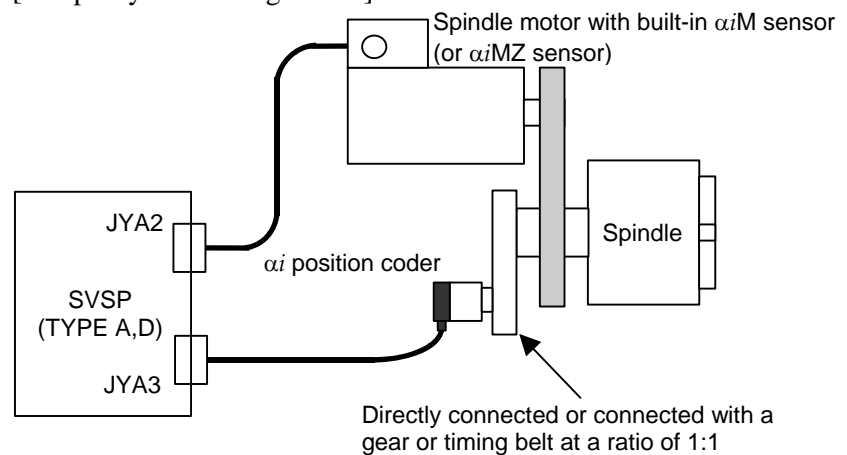
The high-speed spindle orientation function can be used in the following system configuration.

NOTE

This function cannot be used in an orientation system based on an external one-rotation signal in which a proximity switch is used.

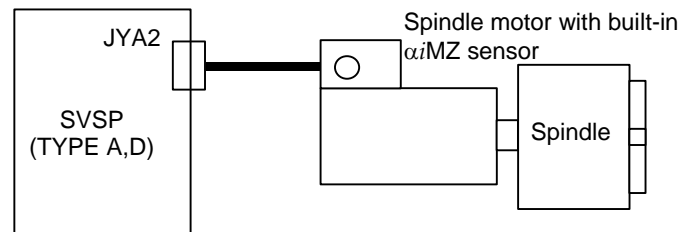
(1) When the α i position coder is used

[Sample system configuration]

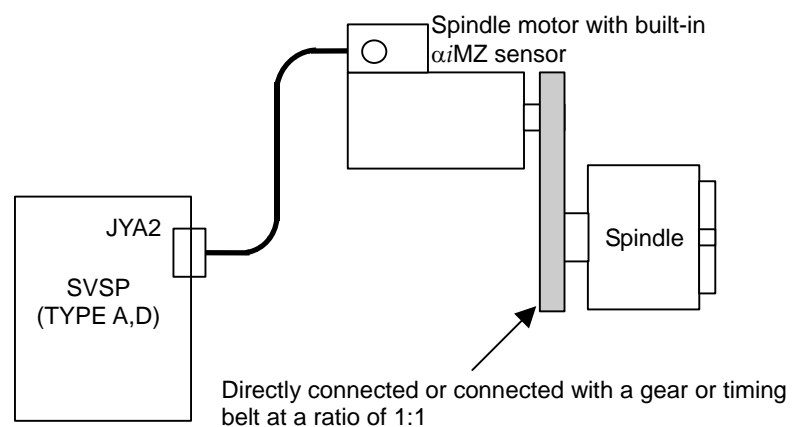


(2) When the α iMZ sensor is used

[Sample system configuration 1]



[Sample system configuration 2]

**5.5.3 I/O Signals (CNC \leftrightarrow PMC)**

For this subsection, see Section 2.2, “POSITION CODER METHOD SPINDLE ORIENTATION”, and Section 5.3, “INCREMENTAL COMMAND TYPE SPINDLE ORIENTATION”, in Part I.

5.5.4 Sequence

For this subsection, see Subsection 5.14.4, “Sequence”, in Part I.

5.5.5 List of Related Parameters

For this subsection, see Subsection 5.14.6, “List of Related Parameters”, in Part I.

5.5.6 Details of Related Parameters

For this subsection, see Subsection 5.14.7, “Details of Related Parameters”, in Part I.

5.5.7 Spindle Data Used in Tuning

For this subsection, see Subsection 5.14.8, “Spindle Data Used in Tuning”, in Part I.

5.5.8 Tuning Procedure

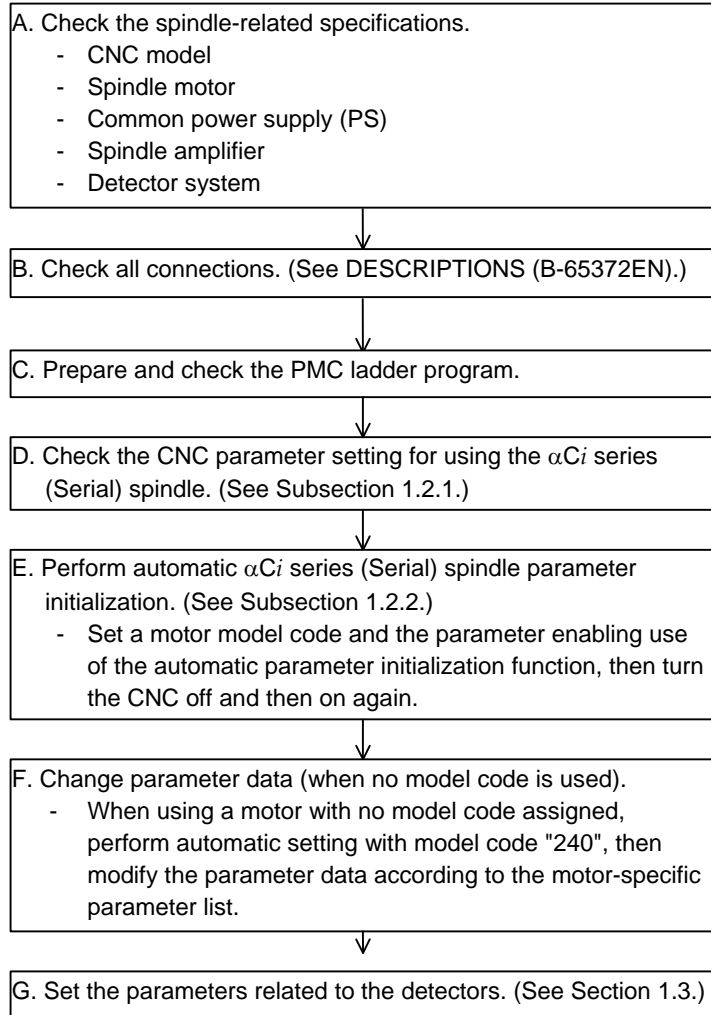
For this subsection, see Subsection 5.14.9, “Tuning Procedure”, in Part I.

III. FANUC AC SPINDLE MOTOR αCi series

1

START-UP

1.1 START-UP PROCEDURE



1.2 SPINDLE SERIAL INTERFACE (OPTIONAL FUNCTION)

1.2.1 Parameters Related to Spindle Serial Output

For this subsection, see Subsection 1.2.1, “Parameters Related to Spindle Serial Output”, in Part I.

1.2.2 Automatic Spindle Parameter Initialization

(1) Parameter list

Parameter No.			Description
15i	16i	30i	
5607#0	4019#7	4019#7	Function for automatically initializing spindle parameters
3133	4133	4133	Spindle motor model code

(2) Procedure for automatic spindle parameter initialization

Perform automatic spindle parameter initialization by following the procedure below.

<1> Set the model code for the desired motor for automatic parameter initialization.

Parameter No.			Description
15i	16i	30i	
3133	4133	4133	Model code

NOTE

When using a spindle motor that has no model code, set model code “240” for automatic parameter setting, then manually input data according to the model-by-model parameter list.

<2> Set the relevant parameter to 1 to enable automatic spindle parameter initialization.

Parameter No.			Description
15i	16i	30i	
—	4019#7	4019#7	1
5607#0	—	—	0

NOTE

This bit is reset to its original value after automatic parameter initialization.

<3> Turn the CNC off, then on again. Then, the spindle parameters specified with a model code are automatically initialized.

1.2.3 Diagnosis (Diagnosis Screen)

For this subsection, see Subsection 1.2.3, “Diagnosis (Diagnosis Screen)”, in Part I.

1.2.4 Alarm

For this subsection, see Subsection 1.2.4, “Alarm”, in Part I.

1.3 PARAMETERS RELATED TO DETECTORS

NOTE

- 1 Note that the specifications of parameters related to detectors for the αCi series spindle amplifiers differ from those of parameters for the αC series spindle amplifiers.
- 2 The spindle sensor (separate detector) usable with the αCi series spindle amplifier is a position coder only. (The spindle sensor is a detector connected to connector JYA3.)

1.3.1 List of Parameters for Detectors

Parameter No.			Description
15i	16i	30i	
—	3706#1,#0	—	Gear ratio of spindle to position coder ($\times 1$, $\times 2$, $\times 4$, $\times 8$)
5842	—	3720	Number of pulses of the position coder
3000 #0	4000 #0	4000 #0	Direction of spindle and spindle motor rotation
3001 #4	4001 #4	4001 #4	Spindle sensor (position coder) mounting direction
3002 #3,#2,#1,#0	4002 #3,#2,#1,#0	4002 #3,#2,#1,#0	Spindle sensor type setting (whether to use a position coder)
3003 #7,#6,#5,#4	4003 #7,#6,#5,#4	4003 #7,#6,#5,#4	Setting of the number of spindle sensor (position coder) gear teeth (Set to 0,0,0,0.)
3005 #0	4005 #0	4005 #0	Setting of the velocity feedback method
3006#1	4006#1	4006#1	Gear ratio increment system
3007 #5	4007 #5	4007 #5	Whether to detect disconnection of feedback signals
3007 #6	4007 #6	4007 #6	Whether to detect alarms related to position feedback signals
3016 #6	4016 #6	4016 #6	Whether to detect alarms related to threading feedback
3016 #7	4016 #7	4016 #7	Setting of the function of detecting the one-rotation signal again each time position control mode is set.
3056 to 3059	4056 to 4059	4056 to 4059	Spindle-to-motor gear ratio data (This data is selected by spindle control input signals CTH1A and CTH2A.)
3098	4098	4098	Maximum speed for position feedback signal detection

1.3.2 Details of Parameters for Detectors

15i	16i	30i	#7	#6	#5	#4	#3	#2	#1	#0
3000	4000	4000								ROTA1

ROTA1 Indicates the relationship between the rotation directions of spindle and spindle motor.

0 : Rotates the spindle and spindle motor in the same direction.

1 : Rotates the spindle and spindle motor in the reverse direction.

NOTE

When using a position coder, be sure to set this parameter. If this parameter is not set correctly, the velocity error excess alarm (spindle alarm 02), motor binding alarm (spindle alarm 31), or gear ratio parameter setting error alarm (spindle alarm 35) may be detected.

15i	16i	30i	#7	#6	#5	#4	#3	#2	#1	#0
3001	4001	4001				SSDIRC				

SSDIRC Indicates the mounting direction of spindle sensor (position coder).

0 : Rotates the spindle and spindle sensor (position coder) in the same direction.

1 : Rotates the spindle and spindle sensor (position coder) in the reverse direction.

NOTE

When using a position coder, be sure to set this parameter. If this parameter is not set correctly, the velocity error excess alarm (spindle alarm 02), motor binding alarm (spindle alarm 31), or gear ratio parameter setting error alarm (spindle alarm 35) may be detected.

15i	16i	30i	#7	#6	#5	#4	#3	#2	#1	#0
3002	4002	4002					SSTYP3	SSTYP2	SSTYP1	SSTYP0

SSTYP3 to 0 Spindle sensor type

This parameter sets the type of a separate detector to be attached to the spindle (detector to be connected to connector JYA3).

The separate detector usable with the α Ci series spindle is a position coder only.

SSTYP3	SSTYP2	SSTYP1	SSTYP0	Spindle sensor type
0	0	0	0	None (No position control function is used.)
0	0	1	0	α i position coder

15i	16i	30i	#7	#6	#5	#4	#3	#2	#1	#0
3003	4003	4003	PCPL2	PCPL1	PCPL0	PCTYPE				

PCPL2, PCPL1, PCPL0, PCTYPE Gear teeth number setting of the spindle sensor (position coder)
Set to 0,0,0,0.

15i	16i	30i	#7	#6	#5	#4	#3	#2	#1	#0
3005	4005	4005								VCTLPC

VCTLPC Sets the velocity feedback method.
 0 : Exercises velocity control with an estimated velocity only.
 1 : Uses a velocity calculated from the position coder signal to exercise velocity control.
 The feedback signal from a position coder attached to a spindle on a 1:1 basis is converted to motor speed data for velocity control. Set this bit to 1 when performing orientation, rigid tapping, or spindle synchronous control.
 By setting this bit to 1 even in ordinary velocity control, the response characteristics and stability of velocity control can be improved.

NOTE

- 1 The feature may not be fully utilized, depending on the connection ratio between the spindle and spindle motor or between the spindle and position coder, the rigidity of the connection, the precision of position coder attachment, and so forth.
- 2 When this bit is set to 1 with a spindle that has a gear switch mechanism, the torque limitation command signal (TLMLA) must be input at the start of gear switching. For details, see Chapter 3, "I/O SIGNALS (CNC↔PMC)", in Part III.

15i	16i	30i	#7	#6	#5	#4	#3	#2	#1	#0
3006	4006	4006							GRUNIT	

GRUNIT Sets a gear ratio setting resolution:
 0 : 1/100 unit
 1 : 1/1000 unit
 Select a gear ratio data setting resolution from the following:
 (a) Resolution based on motor speed increased by a factor of 100 relative to one spindle rotation
 (b) Resolution based on motor speed increased by a factor of 1000 relative to one spindle rotation
 Depending on the setting of this parameter, the increment system of the parameters indicated in the table below changes.

Parameter No.			Description
15i	16i	30i	
3056 to 3059	4056 to 4059	4056 to 4059	Spindle-to-motor gear ratio data

NOTE
 Usually, use the 1/100 unit (setting “0”).

15i	16i	30i	#7	#6	#5	#4	#3	#2	#1	#0
3007	4007	4007		PCALCH	PCLS					

PCLS Determines feedback signal disconnection detection.
 0 : Performs disconnection detection.
 1 : Does not perform disconnection detection.
 When this bit is set to “0”, spindle alarm 27 (Position coder signal disconnection) are checked.

NOTE
 Usually, set “0”.

PCALCH Determines whether to use alarms related to position feedback signals.
 0 : Detects alarms.
 1 : Does not detect alarms.
 When this bit is set to “0”, spindle alarms 41, 42, and 47 are checked.

15i	16i	30i	#7	#6	#5	#4	#3	#2	#1	#0
3016	4016	4016	RFCHK3	RFCHK2						

RFCHK2 Determines whether to detect the alarm related to threading position detection signal feedback (spindle alarm 46).
 0 : Does not detect alarms.
 1 : Detects alarms.

RFCHK3 Setting of the function of detecting the one-rotation signal again each time position control mode is set.

0 : The one-rotation signal is not detected each time the operating mode changes.

Once the one-rotation signal has been detected, it is not detected again until the power goes off.

1 : The one-rotation signal is detected each time the operating mode changes.

15i	16i	30i
3056	4056	4056
3057	4057	4057
3058	4058	4058
3059	4059	4059

Gear ratio (HIGH)	CTH1A=0, CTH2A=0
Gear ratio (MEDIUM HIGH)	CTH1A=0, CTH2A=1
Gear ratio (MEDIUM LOW)	CTH1A=1, CTH2A=0
Gear ratio (LOW)	CTH1A=1, CTH2A=1

Unit of data : (Motor rotation for one rotation of spindle) / 100

(When parameter No. 4006 #1 (GRUNIT) is 1, motor rotation / 1000)

Valid data range : 0 to 32767

Standard setting : 100

These parameters set the gear ratio of the spindle motor relative to the spindle.

When the motor rotates 2.5 times, for every rotation of the spindle, for example, set 250 in the parameter.

A parameter is selected by the CTH1A and CTH2A input signals.

The gear or clutch status must correspond to the status of the CTH1A and CTH2A input signals.

NOTE

- 1 When using a position coder, be sure to set these parameters. If these parameters are not set correctly, the velocity error excess alarm (spindle alarm 02), motor binding alarm (spindle alarm 31), or gear ratio parameter setting error alarm (spindle alarm 35) may be detected.
- 2 When an improper value is set in these parameters, an unexpected operation can occur. For example, the spindle can continue rotating without stopping at the time of orientation. So, be sure to set a proper gear ratio.

15i 16i 30i
3098 4098 4098

Maximum speed for position feedback signal detection

Unit of data : 1min⁻¹
Valid data range : 0 to 32767
Standard setting : 0

This parameter sets a maximum spindle speed that enables the detection of a motor/spindle sensor (position coder) feedback signal. When “0” is set in this parameter, up to the maximum motor speed can be detected.

NOTE
Usually, set “0”.

1.3.3 Typical Detector Configurations

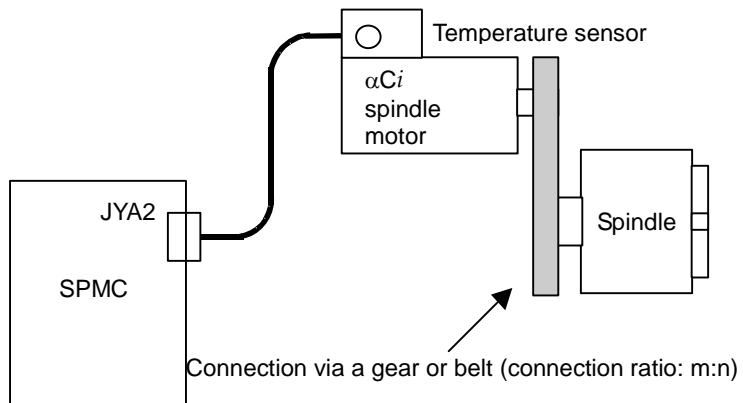
This subsection describes typical detector configurations and the parameter setting procedures for the detector configurations.

With the αCi series spindle, the detector circuitry hardware is set according to the parameter setting. For this reason, an alarm such as a disconnection alarm may be output while parameters related to detectors are being set.

To initialize the hardware, after setting the parameters related to detectors, turn the power to the amplifier off once.

(1) When position control is not exercised

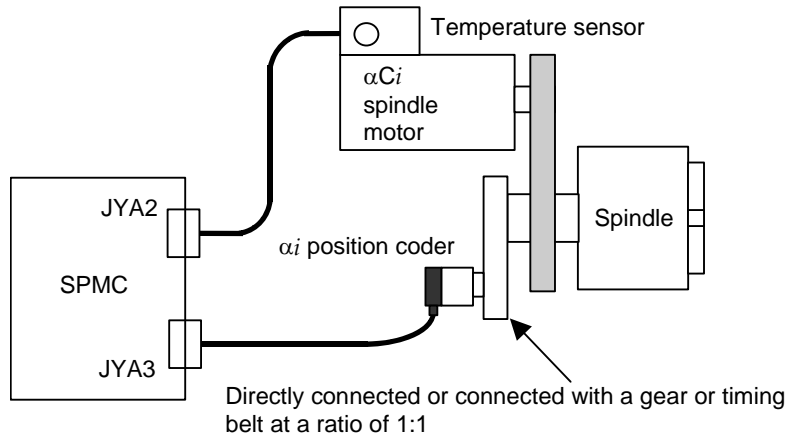
[Sample system configuration]



Parameter No.	Settings	Description
4002 #3,#2,#1,#0	0,0,0,0	Does not exercise position control. (without position coder)
4005#0	0	Exercises velocity control with an estimated velocity only.
4056 to 4059	Depends on the configuration	Gear ratio between the spindle and motor

(2) When the α i position coder is used

[Sample system configuration]



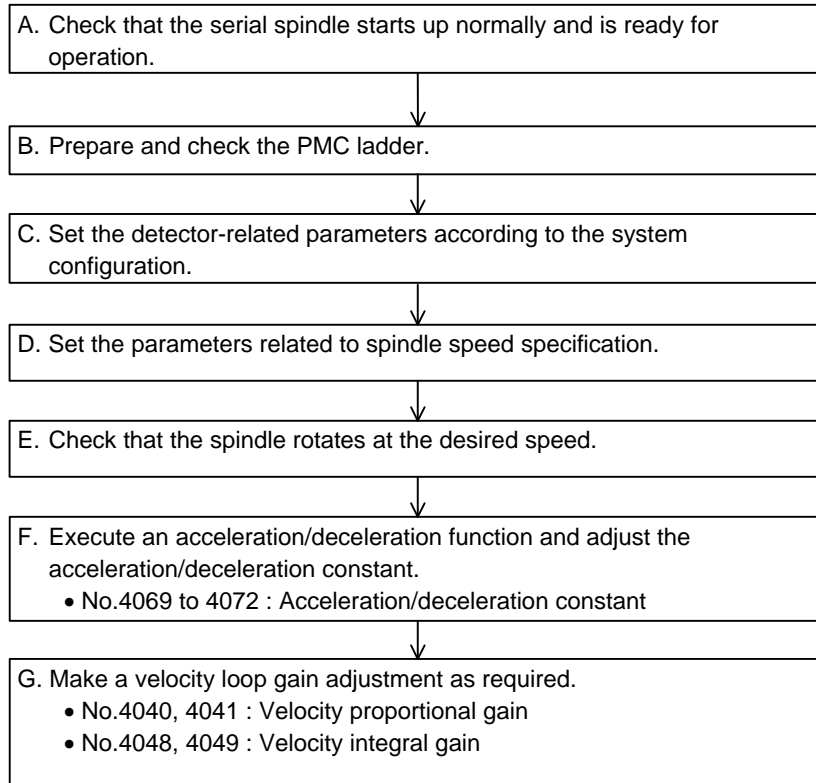
Parameter No.	Settings	Description
4000 #0	Depends on the configuration.	Rotation directions of the spindle and motor
4001 #4	Depends on the configuration.	Spindle sensor mounting direction
4002 #3,#2,#1,#0	0,0,1,0	Uses the α i position coder as the spindle sensor.
4003 #7,#6,#5,#4	0,0,0,0	Sets the number of spindle sensor gear teeth.
4005#0	1	Uses the speed calculated from the position coder signal to perform speed control.
4056 to 4059	Depends on the configuration.	Gear ratio between the spindle and motor

2

EXPLANATION OF OPERATION MODES

2.1 VELOCITY CONTROL MODE

2.1.1 Start-up Procedure



2.1.2 Overview

The velocity control mode is a function for exercising velocity control to rotate the spindle motor according to a velocity command from the CNC.

NOTE

On a CNC screen (such as the spindle monitor screen and the adjustment screen), the velocity control mode is indicated as “NORMAL OPERATION MODE”.

2.1.3 System Configuration

The velocity control mode is applicable to all detector configurations. For system configurations, see Subsection 1.3.3, “Typical Detector Configurations”, in Part III.

2.1.4 List of I/O Signals (CNC \leftrightarrow PMC)

This subsection provides a list of the I/O signals related to the velocity control mode only. For details of each signal, refer to the Connection Manual (Function) of each CNC.

- (a) For Series 16i/18i/21i
 “FANUC Series 16i/18i/21i-MODEL B
 CONNECTION MANUAL (FUNCTION) : B-63523EN-1
 Refer to Section 9.3, “SPINDLE SPEED CONTROL.”
- (b) For Series 30i/31i/32i
 “FANUC Series 30i/31i/32i-MODEL A
 CONNECTION MANUAL (FUNCTION) : B-63943EN-1
 Refer to Section 11.3, “SPINDLE SPEED CONTROL.”
- (c) For Series 15i
 “FANUC Series 15i-MODEL B
 CONNECTION MANUAL (FUNCTION) : B-63783EN-1
 Refer to Section 9.3, “SPINDLE SPEED CONTROL.”
- (d) For Series 0i
 “FANUC Series 0i-MODEL B
 CONNECTION MANUAL (FUNCTION) : B-63833EN-1
 Refer to Section 9.3, “SPINDLE SPEED CONTROL.”

For details of the I/O signals common to the CNCs, see Chapter 3, “I/O SIGNALS (CNC \leftrightarrow PMC)”, in Part I.

(1) Input signals(PMC \rightarrow CNC)

(a) Series 16i

		#7	#6	#5	#4	#3	#2	#1	#0
Common to all axes	G027				*SSTP2 (*1)	*SSTP1 (*1)		SWS2 (*1)	SWS1 (*1)
Common to all axes	G028						GR2	GR1	
Common to all axes	G029		*SSTP	SOR	SAR				
Common to all axes	G030	SOV7	SOV6	SOV5	SOV4	SOV3	SOV2	SOV1	SOV0
1st-	G032	R08I	R07I	R06I	R05I	R04I	R03I	R02I	R01I
2nd-	G034	R08I2	R07I2	R06I2	R05I2	R04I2	R03I2	R02I2	R01I2
1st-	G033	SIND	SSIN	SGN		R12I	R11I	R10I	R09I
2nd-	G035	SIND2	SSIN2	SGN2		R12I2	R11I2	R10I2	R09I2

NOTE

*1 These signals are valid in multi-spindle control.

(b) Series 30i

		#7	#6	#5	#4	#3	#2	#1	#0
Common to all axes	G027				*SSTP2 (*1)	*SSTP1 (*1)		SWS2 (*1)	SWS1 (*1)
Common to all axes	G028						GR2	GR1	
Common to all axes	G029		*SSTP	SOR	SAR				
Common to all axes	G030	SOV7	SOV6	SOV5	SOV4	SOV3	SOV2	SOV1	SOV0

1st-	G032	R08I	R07I	R06I	R05I	R04I	R03I	R02I	R01I
2nd-	G034	R08I2	R07I2	R06I2	R05I2	R04I2	R03I2	R02I2	R01I2

1st-	G033	SIND	SSIN	SGN		R12I	R11I	R10I	R09I
2nd-	G035	SIND2	SSIN2	SGN2		R12I2	R11I2	R10I2	R09I2

NOTE

*1 These signals are valid in multi-spindle control.

(c) Series 15i

		#7	#6	#5	#4	#3	#2	#1	#0
Common to all axes	G005							FIN	

1st-	G024	RI7A	RI6A	RI5A	RI4A	RI3A	RI2A	RI1A	RI0A
2nd-	G232	RI7B	RI6B	RI5B	RI4B	RI3B	RI2B	RI1B	RI0B

1st-	G025	RISGNA			RI12A	RI11A	RI10A	RI9A	RI8A
2nd-	G233	RISGNB			RI12B	RI11B	RI10B	RI9B	RI8B

1st-	G026		GS4A	GS2A	GS1A				
2nd-	G272		GS4B	GS2B	GS1B				

(d) Common to CNCs

	15i	16i	30i	#7	#6	#5	#4	#3	#2	#1	#0
1st-	G227	G070	G070	MRDYA		SFRA	SRVA	CTH1A	CTH2A	TLMHA	TLMLA
2nd-	G235	G074	G074	MRDYB		SFRB	SRVB	CTH1B	CTH2B	TLMHB	TLMLB

1st-	G226	G071	G071							*ESPA	
2nd-	G234	G075	G075							*ESPB	

1st-	G229	G072	G072				OVRA				
2nd-	G237	G076	G076				OVRB				

(2) Output signals (CNC→PMC)**(a) Series 16i**

	#7	#6	#5	#4	#3	#2	#1	#0
F001				ENB				
F007						SF		
F022	S07	S06	S05	S04	S03	S02	S01	S00
F023	S15	S14	S13	S12	S11	S10	S09	S08
F024	S23	S22	S21	S20	S19	S18	S17	S16
F025	S31	S30	S29	S28	S27	S26	S25	S24
F034						GR30 (*1)	GR20 (*1)	GR10 (*1)
F036	R08O	R07O	R06O	R05O	R04O	R03O	R02O	R01O
F037					R12O	R11O	R10O	R09O

NOTE

*1 These signals are valid with the M series only.

(b) Series 30i

	#7	#6	#5	#4	#3	#2	#1	#0
F001				ENB				
F007						SF		
F022	S07	S06	S05	S04	S03	S02	S01	S00
F023	S15	S14	S13	S12	S11	S10	S09	S08
F024	S23	S22	S21	S20	S19	S18	S17	S16
F025	S31	S30	S29	S28	S27	S26	S25	S24
F034						GR30 (*1)	GR20 (*1)	GR10 (*1)
F036	R08O	R07O	R06O	R05O	R04O	R03O	R02O	R01O
F037					R12O	R11O	R10O	R09O

NOTE

*1 These signals are valid with the M series only.

(c) Series 15i

		#7	#6	#5	#4	#3	#2	#1	#0
Common to all axes	F008							SF	
Common to all axes	F020	S7	S6	S5	S4	S3	S2	S1	S0
Common to all axes	F021	S15	S14	S13	S12	S11	S10	S09	S08
Common to all axes	F022	S23	S22	S21	S20	S19	S18	S17	S16
Common to all axes	F023	S31	S30	S29	S28	S27	S26	S25	S24
Common to all axes	F045			SRSRDY					
1st-	F010	RO7A	RO6A	RO5A	RO4A	RO3A	RO2A	RO1A	RO0A
2nd-	F320	RO7B	RO6B	RO5B	RO4B	RO3B	RO2B	RO1B	RO0B
1st-	F11	RO15A	RO14A	RO13A	RO12A	RO11A	RO10A	RO9A	
2nd-	F321	RO15B	RO14B	RO13B	RO12B	RO11B	RO10B	RO9B	
1st-	F014	MR7A	MR6A	MR5A	MR4A	MR3A	MR2A	MR1A	MR0A
2nd-	F324	MR7B	MR6B	MR5B	MR4B	MR3B	MR2B	MR1B	MR0B
1st-	F015	MR15A	MR14A	MR13A	MR12A	MR11A	MR10A	MR9A	MR8A
2nd-	F325	MR15B	MR14B	MR13B	MR12B	MR11B	MR10B	MR9B	MR8B
1st-	F234	SSPD7A	SSPD6A	SSPD5A	SSPD4A	SSPD3A	SSPD2A	SSPD1A	SSPD0A
2nd-	F250	SSPD7B	SSPD6B	SSPD5B	SSPD4B	SSPD3B	SSPD2B	SSPD1B	SSPD0B
1st-	F235	SSPD15A	SSPD14A	SSPD13A	SSPD12A	SSPD11A	SSPD10A	SSPD9A	SSPD8A
2nd-	F251	SSPD15B	SSPD14B	SSPD13B	SSPD12B	SSPD11B	SSPD10B	SSPD9B	SSPD8B
1st-	F341								SRRDYA
2nd-	F342								SRRDYB

(d) Common to CNCs

	15i	16i	30i	#7	#6	#5	#4	#3	#2	#1	#0
1st-	F229	F045	F045		TLMA		LDT1A	SARA	SDTA	SSTA	
2nd-	F245	F049	F049		TLMB		LDT1B	SARB	SDTB	SSTB	

2.1.5 Related Parameters

Parameter No.			Description
15i	16i	30i	
—	3705#0	3705#0	Sets SF signal output and the S code for an S command.
—	3705#2	3705#2	Gear switch method (M series only)
—	3705#4	3705#4	Sets SF signal output and the S code for an S command (T series only).
—	3705#5	3705#5	Sets SF signal output when constant surface speed control is exercised and an S code is specified (M series only).
—	3705#6	3705#6	Sets SF signal output (M series only).
—	3706#4	3706#4	Spindle gear selection method (M series only)
—	3706#7,#6	3706#7,#6	Spindle speed command polarity (valid when input signal SSIN = 0)
—	3709#0	3709#0	Number of sampling operations at spindle speed calculation time (T series only for 16i)
—	3735	3735	Minimum clamp speed of the spindle motor (M series only)
—	3736	3736	Maximum clamp speed of the spindle motor (M series only)
—	3740	3740	Time until the spindle speed arrival signal is checked
—	3741	3741	Maximum spindle speed for gear 1
—	3742	3742	Maximum spindle speed for gear 2
—	3743	3743	Maximum spindle speed for gear 3
—	3744	3744	Maximum spindle speed for gear 4 (T series only)
—	3751	3751	Spindle motor speed at the switch point between gear 1 and gear 2 (M series only)
—	3752	3752	Spindle motor speed at the switch point between gear 2 and gear 3 (M series only)
—	3772	3772	Maximum allowable spindle speed
2031	3031	3031	Allowable number of S code characters
2003#1	—	—	Sets an S code polarity.
2204#0	—	—	Sets the display of an actual spindle speed.
2402#6	—	—	Sets the S code specified in a block containing G92.
5602#3	—	—	Whether to provide an indication for an alarm detected with the spindle amplifier. (Set "0" usually.)
5611	—	—	Number of sampling operations when an average spindle speed is to be found.
5612	—	—	Unit of spindle speed output with the DO signal
5807#0	—	—	Enables/disables the spindle alarms (SPxxxx) of all spindles. (Set "0" usually.)
5842	—	3720	Number of position coder pulses
5847	—	3721	Number of gear teeth on the position coder side on velocity control (for feed per revolution, threading, etc.)
5848	—	3722	Number of gear teeth on the spindle side on velocity control (for feed per revolution, threading, etc.)
5850	—	—	Spindle number to be selected at power-on/reset time
5820#4	—	—	Sets the method of spindle speed calculation.
3006#5	4006#5	4006#5	Sets an analog override range.
3009#4	4009#4	4009#4	Whether to output the load detection signal (LDT1) during acceleration/deceleration
3009#6	4009#6	4009#6	Analog override type
5607#0	4019#7	4019#7	Automatic spindle parameter setting function
3020	4020	4020	Maximum motor speed
3040	4040	4040	Velocity loop proportional gain on the velocity control mode
3041	4041	4041	(A parameter is selected by the PMC input signal CTH1A.)

Parameter No.			Description
15i	16i	30i	
3048 3049	4048 4049	4048 4049	Velocity loop integral gain on the velocity control mode (A parameter is selected by the PMC input signal CTH1A.)
3056 to 3059	4056 to 4059	4056 to 4059	Spindle and motor gear ratio data (A parameter is selected by the PMC input signals CTH1A and CTH2A.)
3069 to 3072	4069 to 4072	4069 to 4072	Acceleration/deceleration constant (A parameter is selected by the PMC input signals CTH1A and CTH2A.)
3081	4081	4081	Delay time until the motor power is turned off
3082	4082	4082	Sets an acceleration/deceleration time.
3083	4083	4083	Motor voltage on the velocity control mode

NOTE

- 1 For the detector-related parameters, see Section 1.3, "PARAMETERS RELATED TO DETECTORS", in Part III.
- 2 For velocity loop proportional/integral gain adjustment, see Section 4.1, "VELOCITY LOOP GAIN ADJUSTMENT", in Part III.

2.1.6 Details of Related Parameters

This subsection details the serial spindle parameters (in the four thousands for 16i, in the four thousands for 30i, and in the three thousands for 15i) among the parameters related to the velocity control mode. For details of other parameters, refer to the parameter manual of each CNC.

15i	16i	30i	#7	#6	#5	#4	#3	#2	#1	#0
3006	4006	4006			ALGOVR					

ALGOVR Sets a spindle analog override range.
 0 : 0 to 100% (standard setting value)
 1 : 0 to 120%

15i	16i	30i	#7	#6	#5	#4	#3	#2	#1	#0
3009	4009	4009		OVRTYP		LDTOUT				

LDTOUT Whether to output the load detection signal (LDT1A) during acceleration/deceleration
 0 : Not output during acceleration/deceleration. (standard setting value)
 1 : Output (at all times) during acceleration/deceleration if the parameter-set level is exceeded.

OVRTYP Analog override type
 0 : Override of linear function type (standard setting value)
 1 : Override of quadratic function type

16i	30i	#7	#6	#5	#4	#3	#2	#1	#0
4019	4019	PRLOAD							

PRLOAD

Automatic parameter setting function

0 : Does not perform automatic parameter setting. (standard setting value)

1 : Performs automatic parameter setting.

After setting a desired motor model code in parameter No. 4133 and setting this bit to 1, turn off the power to the CNC, then turn on the power to the CNC again. The parameters (No. 4000 to No. 4175) for the αCi series spindle corresponding to the model code are automatically initialized. Upon completion of automatic setting, this bit is automatically set to "0".

NOTE

With FS15i, the parameter address of this function is different, namely, bit 0 of No. 5607 is used. Moreover, note that the meanings of settings are reversed as follows.

0 : Performs automatic parameter setting.

1 : Does not perform automatic parameter setting.

In this case, set a model code in parameter No. 3133.

15i	16i	30i
3020	4020	4020

Maximum motor speedUnit of data : 1min^{-1}

Valid data range : 0 to 32767

Standard setting value : Depends on the motor model.

This parameter sets a maximum spindle motor speed.

⚠ WARNING

The spindle motor may rotate at the maximum spindle motor speed specified by this parameter. Therefore, this parameter must not be set to a value greater than the maximum rotation speed indicated by the specification of the spindle motor.

15i	16i	30i
3040	4040	4040
3041	4041	4041

Velocity loop proportional gain on velocity control mode (HIGH)	CTH1A=0
Velocity loop proportional gain on velocity control mode (LOW)	CTH1A=1

Unit of data :

Valid data range : 0 to 32767

Standard setting : Depends on the motor model.

This data is used to set the velocity loop proportional gain on velocity control mode.

When the input signal CTH1A = 0, (HIGH) is selected. When the input signal CTH1A = 1, (LOW) is selected.

15i 16i 30i
 3048 4048 4048
 3049 4049 4049

Velocity integral gain on velocity control mode (HIGH)	CTH1A=0
Velocity integral gain on velocity control mode (LOW)	CTH1A=1

Unit of data :
 Valid data range : 0 to 32767
 Standard setting : Depends on the motor model.

This data is used to set the velocity loop integral gain on velocity control mode.

When the input signal CTH1A = 0, (HIGH) is selected. When the input signal CTH1A = 1, (LOW) is selected.

15i 16i 30i
 3056 4056 4056
 3057 4057 4057
 3058 4058 4058
 3059 4059 4059

Gear ratio (HIGH)	CTH1A=0, CTH2A=0
Gear ratio (MEDIUM HIGH)	CTH1A=0, CTH2A=1
Gear ratio (MEDIUM LOW)	CTH1A=1, CTH2A=0
Gear ratio (LOW)	CTH1A=1, CTH2A=1

Unit of data : (Motor rotation for one rotation of spindle) / 100
 (When parameter No. 4006 #1 (GRUNIT) is 1, motor rotation / 1000)
 Valid data range : 0 to 32767
 Standard setting value : 100

These data are used to set the gear ratio between spindle and spindle motor.

Example :

When the spindle rotates once, set "250" as the data when the motor rotates 2.5 times.

NOTE

- 1 A parameter is selected by the input signals CTH1A and CTH2A. Ensure that the gear or clutch state corresponds to the input signals CTH1A and CTH2A. When the signals are not input correctly, the overcurrent alarm (spindle alarm 12) can be issued.
- 2 When using a position coder, be sure to set this parameter. If this parameter is not set correctly, the velocity error excess alarm (spindle alarm 02), motor binding alarm (spindle alarm 31), or gear ratio parameter setting error alarm (spindle alarm 35) may be detected.
- 3 When an improper value is set in this parameter, an unexpected operation can occur. For example, the spindle can continue rotating without stopping at the time of orientation. So, be sure to set a proper gear ratio.

15i	16i	30i
3069	4069	4069
3070	4070	4070
3071	4071	4071
3071	4072	4072

Acceleration/deceleration constant (HIGH)	CTH1A=0, CTH2A=0
Acceleration/deceleration constant (MEDIUM HIGH)	CTH1A=0, CTH2A=1
Acceleration/deceleration constant (MEDIUM LOW)	CTH1A=1, CTH2A=0
Acceleration/deceleration constant (LOW)	CTH1A=1, CTH2A=1

Unit of data : $1\text{min}^{-1} / \text{sec}$
 Valid data range : 0 to 32767
 Standard setting value : 900

These parameters set an acceleration/deceleration constant calculated from the motor output torque and spindle inertia and adjust acceleration/deceleration time.

A parameter is selected by the input signals CTH1A and CTH2A. The initial setting value “900” assumes that linear acceleration/deceleration is performed with the 30-minute rated torque at the maximum motor speed, with an inertia three times as large as the rotor inertia of the motor. It is assumed that all (αCi series spindle motors satisfy this initial value. So, there is a margin with some motor models.

For each machine, find a load inertia, and assign the found value to the following expression to calculate an acceleration/deceleration constant for setting:

$$\begin{aligned} T_c &= T / (J_m + J_l) \times (60 / 2\pi) \\ &= P / N \times (60 / 2\pi) / (J_m + J_l) \times (60 / 2\pi) \\ &= P / N / (J_m + J_l) \times (60 / 2\pi)^2 \end{aligned}$$

- T_c [$\text{min}^{-1}/\text{sec}$] : Acceleration/deceleration constant
- J_m [kgm^2] : Motor rotor inertia
- J_l [kgm^2] : Load inertia in terms of motor axis
- T [Nm] : 30-minute rated torque
- P [kW] : 30-minute rated output
- N [min^{-1}] : Motor speed

[Rotor inertia and torque data of standard models]

Motor model	$\alpha C1i$	$\alpha C2i$	$\alpha C3i$	$\alpha C6i$	$\alpha C8i$	$\alpha C12i$	$\alpha C15i$
Rotor inertia J_m [kgm^2]	0.003	0.0078	0.0148	0.0179	0.0275	0.07	0.09
30-minute rated torque at base speed T [Nm]	14.01	23.55	35.01	47.75	70.03	95.49	117.77

NOTE

- 1 The initial setting value satisfies a value calculated with $N = \text{maximum speed}$ and $J_l = J_m \times 3$.
- 2 A maximum specifiable acceleration/deceleration constant is based on $N = \text{base speed}$.

15i 16i 30i
3081 4081 4081

Delay time until the motor power is turned off

Unit of data : 10ms
Valid data range : 0 to 1000
Standard setting value : 20(200ms)

If SFRA = 0 or SRVA = 0 is specified, this parameter sets a period of time from the stop of the motor (detection of the speed zero detection signal SSTA = 1) until the power to the motor is turned off.

NOTE

When a small value is set in this parameter, the motor can coast after the power to the motor is turned off.

15i 16i 30i
3082 4082 4082

Setting of acceleration/deceleration time

Unit of data : 1sec
Valid data range : 0 to 255
Standard setting value : 10

This parameter sets a period of time in which alarm detection is disabled by assuming that the spindle motor is being accelerated or decelerated even if the velocity error exceeds the velocity error excess alarm (spindle alarm 02) level after start of acceleration/deceleration on the velocity control mode.

In the velocity control mode, a step-by-step speed command is specified. So, the spindle motor cannot follow up the command immediately after start of acceleration/deceleration, and the velocity error exceeds the velocity error excess alarm level. This parameter is used to prevent the velocity error excess alarm (spindle alarm 02) from being detected incorrectly immediately after start of acceleration/deceleration.

NOTE

With a machine tool such as a lathe that has a large load inertia, the acceleration/deceleration time becomes longer. In such a case, set the value corresponding to the acceleration/deceleration time of the machine in this parameter.

15i 16i 30i
3083 4083 4083

Motor voltage setting on velocity control mode

Unit of data : 1%
Valid data range : 0 to 100
Standard setting : 60

This parameter is used to set a motor voltage on velocity control mode. Usually, this parameter need not be adjusted. Use the standard setting.

2.1.7 Troubleshooting

If the spindle motor does not operate normally, take an action by referencing the items listed below according to the state of trouble.
For an action to be taken when an alarm is issued, refer to the maintenance manual.

	State of trouble
(i)	When the motor does not rotate
(ii)	When the motor does not rotate at a specified speed
(iii)	When the motor vibrates and makes an abnormal sound when rotating
(iv)	When an overshoot or hunting occurs
(v)	When the cutting capability is degraded
(vi)	When the acceleration/deceleration time is long

(i) When the motor does not rotate

- (1) Check the connections. (Refer to Descriptions (B-65372EN).)
 - (a) Motor power line phase order
 - (b) Connection of the position coder signal cable (shielding, grounding)
 - (c) DC link connection between the common power supply (PS) and amplifier
- (2) Check the parameter settings.
 - (a) Parameter data for each motor model
 - (b) Detector-related parameter data (Refer to Section 1.3, "PARAMETERS RELATED TO DETECTORS", in Part III)
 - (c) Setting of a maximum motor speed

15i	16i	30i	Description
3020	4020	4020	Maximum motor speed

- (d) Parameters related to spindle speed specification
Refer to Subsection 2.1.5, "Related Parameters", in Part III.
- (3) Check the input signals.
 - (a) Input signals for spindle control (PMC→CNC)

	15i	16i	30i	#7	#6	#5	#4	#3	#2	#1	#0
1st-	G227	G070	G070	MRDYA		SFRA	SRVA				
2nd-	G235	G074	G074	MRDYB		SFRB	SRVB				
1st-	G226	G071	G071							*ESPA	
2nd-	G234	G075	G075							*ESPB	

(ii) When the motor does not rotate at a specified speed

- (1) Check the connections. (Refer to Descriptions (B-65372EN).)
 - (a) Motor power line connection
 - (b) Connection of the position coder signal cable (shielding, grounding)
- (2) Check the parameter settings.
 - (a) Parameter data for each motor model
 - (b) Detector-related parameter data (Refer to Section 1.3, "PARAMETERS RELATED TO DETECTORS", in Part III)
 - (c) Setting of a maximum motor speed

15i	16i	30i	Description
3020	4020	4020	Maximum motor speed

- (d) Parameters related to spindle speed specification

For Series 16i/18i/21i
 "FANUC Series 16i/18i/21i-MODEL B
 CONNECTION MANUAL (FUNCTION) : B-63523EN-1
 Refer to Section 9.3, "SPINDLE SPEED CONTROL."
 For Series 30i/31i/32i
 "FANUC Series 30i/31i/32i-MODEL A
 CONNECTION MANUAL (FUNCTION) : B-63943EN-1
 Refer to Section 11.3, "SPINDLE SPEED CONTROL."
 For Series 15i
 "FANUC Series 15i-MODEL B
 CONNECTION MANUAL (FUNCTION) : B-63783EN-1
 Refer to Section 9.3, "SPINDLE SPEED CONTROL."
 For Series 0i
 "FANUC Series 0i-MODEL B
 CONNECTION MANUAL (FUNCTION) : B-63833EN-1
 Refer to Section 9.3, "SPINDLE SPEED CONTROL."

(iii) When the motor vibrates and makes an abnormal sound when rotating

- (1) Check the connections. (Refer to Descriptions (B-65372EN).)
 - (a) Connection of the position coder signal cable (shielding, grounding)
- (2) Check the parameter settings.
 The velocity loop gain may be too large. Adjust the following parameters:

15i	16i	30i	Description	Setting data
3040	4040	4040	Velocity proportional gain (HIGH)	Decrease the setting values.
3041	4041	4041	Velocity proportional gain (LOW)	
3048	4048	4048	Velocity integral gain (HIGH)	
3049	4049	4049	Velocity integral gain (LOW)	

- (3) Make a comparison with the case of motor coasting.
 If vibration and sound produced when the motor coasts are extremely smaller than those produced when the motor is driven, the control circuit is faulty. If sound produced remains unchanged, the motor or the machine may be faulty. If the overheat signal cable from the motor is disconnected during motor rotation, an alarm is issued, and the motor coasts. Before performing the coasting of the motor, consult with the machine tool builder for confirmation. Depending on the sequence, the brake may be applied.

(iv) When an overshoot or hunting occurs

- (1) Check the parameter settings.
 - (a) The velocity loop gain may be too large. Adjust the following parameters:

15i	16i	30i	Description	Setting data
3040	4040	4040	Velocity proportional gain(HIGH)	Decrease the setting values.
3041	4041	4041	Velocity proportional gain(LOW)	
3048	4048	4048	Velocity integral gain (HIGH)	
3049	4049	4049	Velocity integral gain (LOW)	

- (b) The acceleration/deceleration constant may be too large. Adjust the following parameters:

15i	16i	30i	Description	Setting data
3069	4069	4069	Acceleration/deceleration constant (HIGH)	Decrease the setting values.
3070	4070	4070	Acceleration/deceleration constant (MEDIUM HIGH)	
3071	4071	4071	Acceleration/deceleration constant (MEDIUM LOW)	
3072	4072	4072	Acceleration/deceleration constant (LOW)	

(v) When the cutting capability is degraded

- (1) Check the parameter settings.
 - (a) Parameter data for each motor model
- (2) Check the input signals.
 - (a) Torque limitation command (TLMHA)

	15i	16i	30i	#7	#6	#5	#4	#3	#2	#1	#0
1st-	G227	G070	G070							TLMHA	
2nd-	G235	G074	G074							TLMHB	

- (3) Check the machine.
 - (a) Belt tension, and so forth

(vi) When the acceleration/deceleration time is long

(1) Check the parameter settings.

(a) Parameter data for each motor model

(b) The acceleration/deceleration constant may be too small.
Adjust the following parameters:

15i	16i	30i	Description	Setting data
3069	4069	4069	Acceleration/deceleration constant (HIGH)	Increase the setting values.
3070	4070	4070	Acceleration/deceleration constant (MEDIUM HIGH)	
3071	4071	4071	Acceleration/deceleration constant (MEDIUM LOW)	
3072	4072	4072	Acceleration/deceleration constant (LOW)	

(c) Regenerative power limitation (Check if the same value as in the parameter table for each motor model is set.)

15i	16i	30i	Description
3080	4080	4080	Regenerative power limitation

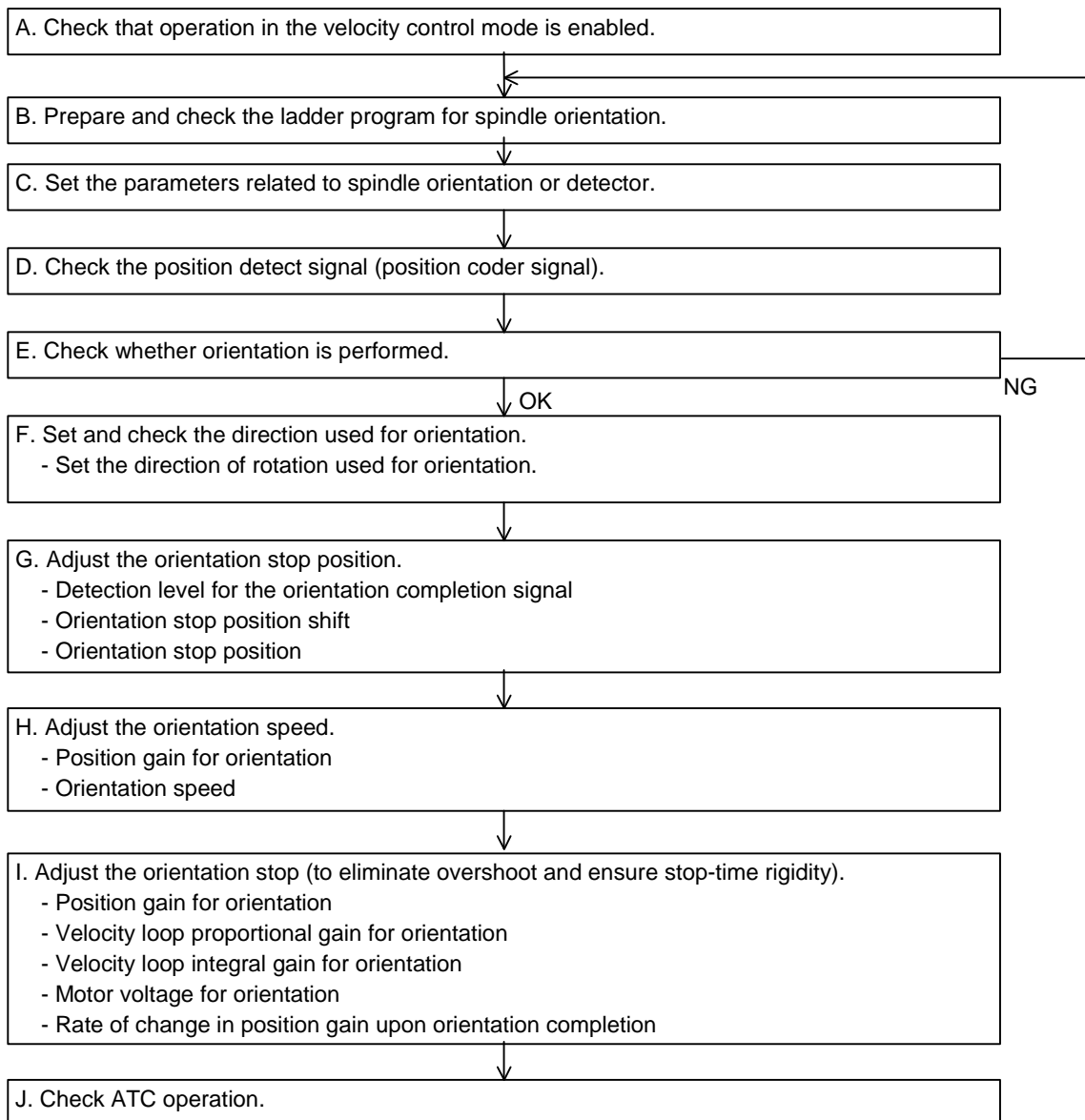
(2) Check the input signals.

(a) Torque limitation commands (TLMH)

	15i	16i	30i	#7	#6	#5	#4	#3	#2	#1	#0
1st-	G227	G070	G070							TLMHA	
2nd-	G235	G074	G074							TLMHB	

2.2 POSITION CODER METHOD SPINDLE ORIENTATION (OPTIONAL FUNCTION)

2.2.1 Start-up Procedure



2.2.2 Overview

For this subsection, see Subsection 5.4.1, “Overview”, in Part I.

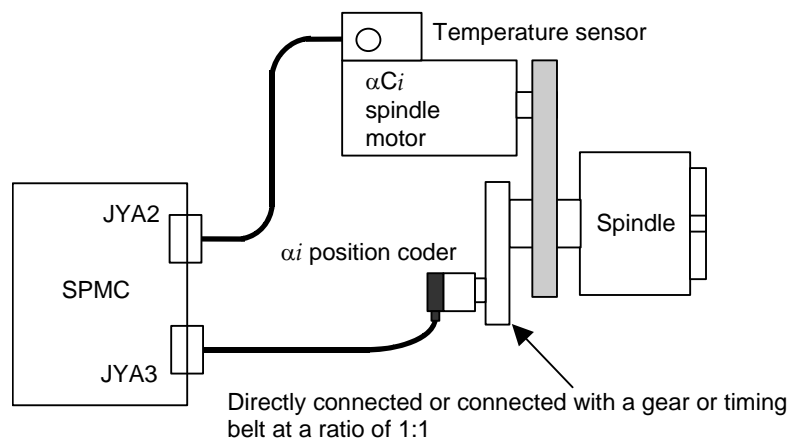
2.2.3 Feature

For this subsection, see Subsection 2.2.4, “Feature”, in Part I.

2.2.4 System Configuration

The system configurations that enable the use of the position coder method orientation function are shown below.

(1) When the αi position coder is used



NOTE

The spindle sensor (separate detector) usable with the αCi series spindle amplifier is a position coder only.

2.2.5 Stop Position Specification Method

For this subsection, see Subsection 2.2.7, “Stop Position Specification Method”, in Part I.

2.2.6 I/O Signals (CNC \leftrightarrow PMC)

(1) Address list of Input signals (PMC \rightarrow CNC)

	15i	16i	30i	#7	#6	#5	#4	#3	#2	#1	#0
1st-	G227	G070	G070		ORCMA			CTH1A	CTH2A		
2nd-	G235	G074	G074		ORCMB			CTH1B	CTH2B		
1st-	G229	G072	G072						NRROA	ROTA	INDXA
2nd-	G237	G076	G076						NRROB	ROTAB	INDXB
1st-	G230	G078	G078	SHA07	SHA06	SHA05	SHA04	SHA03	SHA02	SHA01	SHA00
2nd-	G238	G080	G080	SHB07	SHB06	SHB05	SHB04	SHB03	SHB02	SHB01	SHB00
1st-	G231	G079	G079					SHA11	SHA10	SHA09	SHA08
2nd-	G239	G081	G081					SHB11	SHB10	SHB09	SHB08

(2) Details of input signals (PMC \rightarrow CNC)

With the αCi series, the signals indicated in the item above are valid. For details of each signal, see Subsection 2.2.8(2), “Details of input signals (PMC \rightarrow CNC)”, in Part I.

(3) Address list of output signals (CNC \rightarrow PMC)

	15i	16i	30i	#7	#6	#5	#4	#3	#2	#1	#0
1st-	F229	F045	F045	ORARA							
2nd-	F245	F049	F049	ORARB							

(4) Details of output signals (CNC \rightarrow PMC)

With the αCi series, the signals indicated in the item above are valid. For details of each signal, see Subsection 2.2.8(4), “Details of output signals (CNC \rightarrow PMC)”, in Part I.

2.2.7 Examples of Sequences

For this subsection, see Subsection 2.2.9, “Examples of Sequences”, in Part I.

2.2.8 Related Parameters

Parameter No.			Description
15i	16i	30i	
3015 #0	4015 #0	4015 #0	Specifies whether to use the spindle orientation function. (Set this bit to 1.) (The CNC software option is required.)
5609#2	3702#3,#2	3729#0	Specifies whether to use the spindle orientation function with the stop position external setting type. (For 16i, #2: First spindle, #3: Second spindle)
3003#3,#2	4003#3,#2	4003#3,#2	Direction of rotation in spindle orientation (Set to 0 and 0 or 0 and 1.)
3005#0	4005#0	4005#0	Setting of the velocity feedback method (Set to 1.)
3017 #7	4017 #7	4017 #7	Shortcut function when orientation is specified in stop state
3031	4031	4031	Stop position for position coder method orientation (This parameter is disabled when spindle orientation with an externally set stop position or an externally set incremental command is used.)
3038	4038	4038	Spindle orientation speed
3042	4042	4042	Velocity proportional gain on orientation
3043	4043	4043	(A parameter is selected by the CTH1A input signal.)
3050	4050	4050	Velocity integral gain on orientation
3051	4051	4051	(A parameter is selected by the CTH1A input signal.)
3056 to 3059	4056 to 4059	4056 to 4059	Spindle-to-motor gear ratio (A parameter is selected by the CTH1A and CTH2A input signals.)
3060 to 3063	4060 to 4063	4060 to 4063	Position gain for orientation (A parameter is selected by the CTH1A and CTH2A input signals.)
3064	4064	4064	Acceleration limitation ratio at deceleration time (Set to 100.)
3075	4075	4075	Detection level for the spindle orientation completion signal
3077	4077	4077	Spindle orientation stop position shift
3084	4084	4084	Motor voltage for spindle orientation
3320 to 3323	4320 to 4323	4320 to 4323	Acceleration at orientation deceleration time (A parameter is selected by the CTH1A and CTH2A input signals.)

NOTE

- 1 For the parameters related to detectors, see Section 1.3, "PARAMETERS RELATED TO DETECTORS" in the Part III.
- 2 For velocity loop proportional/integral gain adjustment, see Section 4.1, "VELOCITY LOOP GAIN ADJUSTMENT", in Part III.

2.2.9 Details of Related Parameters

15i 16i 30i
3003 4003 4003

#7	#6	#5	#4	#3	#2	#1	#0
				DIRCT2	DIRCT1		

DIRCT2, DIRCT1

Setting of rotation direction at spindle orientation

DIRCT2	DIRCT1	Rotation direction at spindle orientation
0	0	By rotation direction immediately before (It is CCW at the power on.)
0	1	By rotation direction immediately before (It is CW at the power on.)

15i 16i 30i
3005 4005 4005

#7	#6	#5	#4	#3	#2	#1	#0
							VCTLPC

VCTLPC

Sets the velocity feedback method.

0 : Exercises velocity control with an estimated velocity only.

1 : Uses a velocity calculated from the position coder signal to exercise velocity control.

Set to 1.

15i 16i 30i
3017 4017 4017

#7	#6	#5	#4	#3	#2	#1	#0
NRROEN							

NRROEN

Specifies whether to use the shortcut function when orientation is specified in the stop state.

0 : Does not use the function.

1 : Uses the function.

When this bit is set to 1, short cut operation is performed when the following conditions are satisfied:

- Bit 7 of parameter No. 4016 (RFCHK3) is set to 0.
- Zero speed detection output signal SSTA is set to 1.
- Shortcut command input signal NRROA is set to 1.

15i 16i 30i
3031 4031 4031

Position coder method orientation stop position

Unit of data : 1 pulse (360°/4096)
Valid data range : 0 to 4096
Standard setting : 0

This data is used to set the stop position of position coder method spindle orientation. It can be set at every 360 degrees/4096.

When stop position external command type orientation and incremental command external type orientation are set, this parameter becomes invalid.

Stop position command (SHA11-SHA00) of input signal instructed becomes valid.

15i 16i 30i
3038 4038 4038

Spindle orientation speed

Unit of data : 1min^{-1}
Valid data range : 0 to 32767
Standard setting : 0

This parameter sets the orientation speed at the end of the spindle.
When this data is set to 0, 200min^{-1} is set.

15i 16i 30i
3042 4042 4042
3043 4043 4043

Velocity loop proportional gain on orientation (HIGH)	CTH1A=0
Velocity loop proportional gain on orientation (LOW)	CTH1A=1

Unit of data :
Valid data range : 0 to 32767
Standard setting : Depends on the motor model.

This parameter sets the velocity loop proportional gain for spindle orientation.

When the CTH1A input signal is set to 0, proportional gain for the HIGH gear is selected. When the CTH1A input signal is set to 1, proportional gain for the LOW gear is selected.

15i 16i 30i
3050 4050 4050
3051 4051 4051

Velocity loop integral gain on orientation (HIGH)	CTH1A=0
Velocity loop integral gain on orientation (LOW)	CTH1A=1

Unit of data :
Valid data range : 0 to 32767
Standard setting : Depends on the motor model.

This parameter sets the velocity loop integral gain for spindle orientation.

When the CTH1A input signal is set to 0, integral gain for the HIGH gear is selected. When the CTH1A input signal is set to 1, integral gain for the LOW gear is selected.

15i	16i	30i
3056	4056	4056
3057	4057	4057
3058	4058	4058
3059	4059	4059

Gear ratio (HIGH)	CTH1A=0, CTH2A=0
Gear ratio (MEDIUM HIGH)	CTH1A=0, CTH2A=1
Gear ratio (MEDIUM LOW)	CTH1A=1, CTH2A=0
Gear ratio (LOW)	CTH1A=1, CTH2A=1

Unit of data : (Motor rotation for one rotation of spindle) / 100

(When parameter No. 4006 #1 (GRUNIT) is 1, motor rotation / 1000)

Valid data range : 0 to 32767

Standard setting : 100

These parameters set the gear ratio of the spindle motor relative to the spindle.

When the motor rotates 2.5 times, for every rotation of the spindle, for example, set 250 in the parameter.

NOTE

- 1 A parameter is selected by the input signals CTH1A and CTH2A. Ensure that the gear or clutch state corresponds to the input signals CTH1A and CTH2A. When the signals are not input correctly, the overcurrent alarm (spindle alarm 12) can be issued.
- 2 When using a position coder, be sure to set this parameter. If this parameter is not set correctly, the velocity error excess alarm (spindle alarm 02), motor binding alarm (spindle alarm 31), or gear ratio parameter setting error alarm (spindle alarm 35) may be detected.
- 3 When an improper value is set in this parameter, an unexpected operation can occur. For example, the spindle can continue rotating without stopping at the time of orientation. So, be sure to set a proper gear ratio.

15i	16i	30i
3060	4060	4060
3061	4061	4061
3062	4062	4062
3063	4063	4063

Position gain on orientation (HIGH)	CTH1A=0, CTH2A=0
Position gain on orientation (MEDIUM HIGH)	CTH1A=0, CTH2A=1
Position gain on orientation (MEDIUM LOW)	CTH1A=1, CTH2A=0
Position gain on orientation (LOW)	CTH1A=1, CTH2A=1

Unit of data : 0.01sec^{-1}

Valid data range : 0 to 32767

Standard setting : 1000

These parameters set the position gain for orientation.

A parameter is selected by the CTH1A and CTH2A input signals.

15i 16i 30i
3064 4064 4064

Acceleration limitation ratio at deceleration time

Unit of data : 1%
Valid data range : 0 to 100
Standard setting : 100
Set to 100.

15i 16i 30i
3075 4075 4075

Orientation completion signal detection level (limits of in-position)
--

Unit of data : ± 1 pulse unit (360degrees/4096)
Valid data range : 0 to 100
Standard setting : 10

This data is used to set the detecting level of orientation completion signal (ORARA).

When the spindle position is located within the setting data on orientation completion, the bit of orientation completion signal (ORARA) in the spindle control signals is set to "1".

When the orientation command (ORCMA) is turned off (= 0), the orientation completion signal (ORARA) is set to "0".

15i 16i 30i
3077 4077 4077

Orientation stop position shift value
--

Unit of data : ± 1 pulse unit (360degrees/4096)
Valid data range : -4095 to 4095
Standard setting : 0

In the position coder method orientation, set this data to shift stop position.

Spindle is shift No. of setting pulse in CCW direction, and stops by data (+).

15i 16i 30i
3084 4084 4084

Motor voltage setting on orientation

Unit of data : 1%
Valid data range : 0 to 100
Standard setting : 60

This parameter sets the motor voltage for orientation. Usually, set 60.

15i	16i	30i
3320	4320	4320
3321	4321	4321
3322	4322	4322
3323	4323	4323

Acceleration at orientation deceleration time (HIGH)	CTH1A=0, CTH2A=0
Acceleration at orientation deceleration time (MEDIUM HIGH)	CTH1A=0, CTH2A=1
Acceleration at orientation deceleration time (MEDIUM LOW)	CTH1A=1, CTH2A=0
Acceleration at orientation deceleration time (LOW)	CTH1A=1, CTH2A=1

Unit of data : $10\text{min}^{-1}/\text{sec}$
 Valid data range : 0 to 32767
 Standard setting : 0

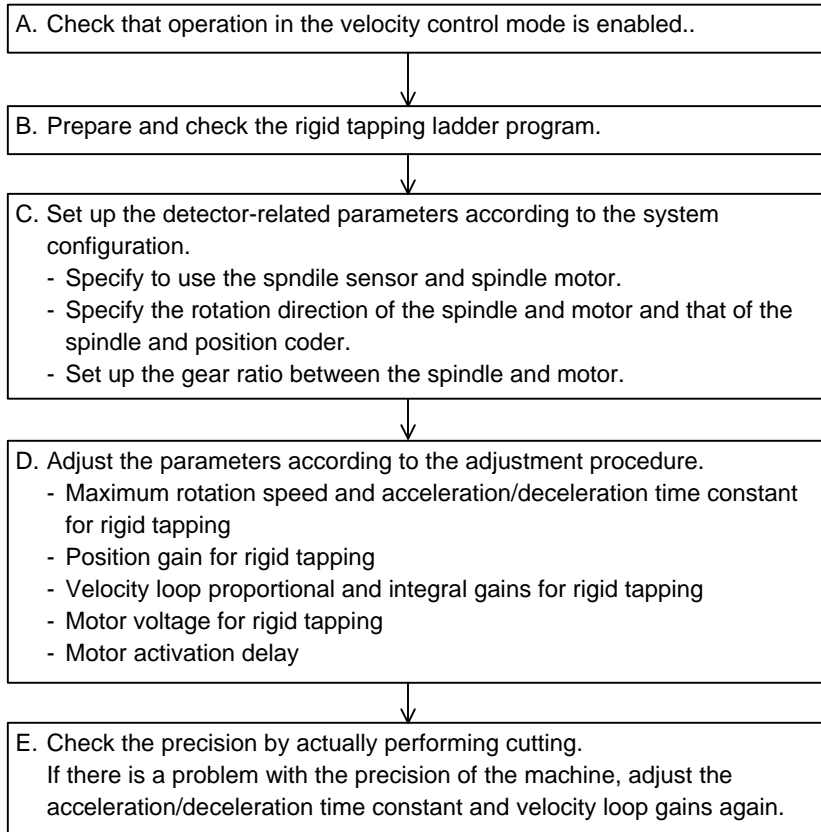
These parameters set a motor acceleration value at deceleration time in orientation. When 0 is set, an acceleration value of $520\text{min}^{-1}/\text{sec}$ (corresponding to setting = 52 or equivalent to the standard setting for the αC series spindle) is set.

2.2.10 Adjusting the Orientation Stop Position Shift Parameter

For this subsection, see Subsection 2.2.14, “Adjusting the Orientation Stop Position Shift Parameter”, in Part I.

2.3 RIGID TAPPING (OPTIONAL FUNCTION)

2.3.1 Start-up Procedure



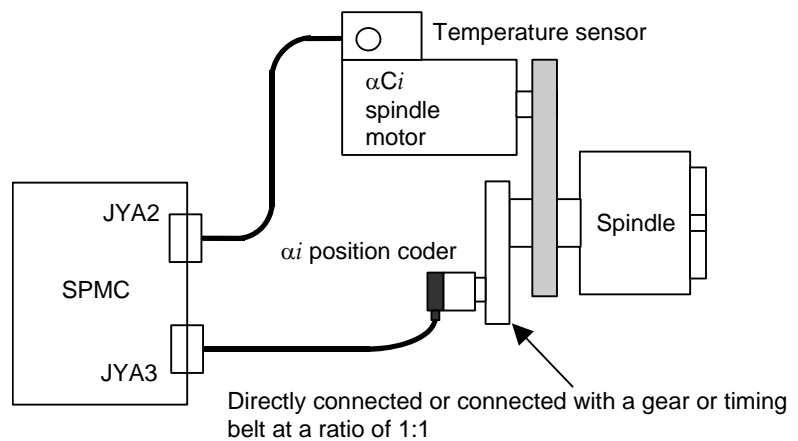
2.3.2 Overview

For this subsection, see Subsection 2.3.2, “Overview”, in Part I.

2.3.3 System Configuration

The system configurations that enable the use of rigid tapping are shown below.

(1) When the α i position coder is used



NOTE

The spindle sensor (separate detector) usable with the α Ci series spindle amplifier is a position coder only.

2.3.4 List of I/O Signals (CNC↔PMC)

This subsection provides a list of the I/O signals related to rigid tapping only. For details of each signal, refer to the Connection Manual (Function) of each CNC.

- (a) For Series 16i/18i/21i
“FANUC Series 16i/18i/21i-MODEL B
CONNECTION MANUAL (FUNCTION) : B-63523EN-1
Refer to Section 9.11, “RIGID TAPPING.”
- (b) For Series 30i/31i/32i
“FANUC Series 30i/31i/32i-MODEL A
CONNECTION MANUAL (FUNCTION) : B-63943EN-1
Refer to Section 11.11, “RIGID TAPPING.”
- (c) For Series 15i
“FANUC Series 15i-MODEL B
CONNECTION MANUAL (FUNCTION) : B-63783EN-1
Refer to Section 9.8, “RIGID TAPPING.”
- (d) For Series 0i
“FANUC Series 0i-MODEL B
CONNECTION MANUAL (FUNCTION) : B-63833EN-1
Refer to Section 9.10, “RIGID TAPPING.”

For details of the I/O signals common to the CNCs, see Chapter 3, “I/O SIGNALS (CNC↔PMC)”, in Part I.

(1) Input signals (PMC→CNC)

(a) Series 16i

	#7	#6	#5	#4	#3	#2	#1	#0
G027							SWS2 (*1)	SWS1 (*1)
G028						GR2	GR1	
G029								GR21 (*2)
G061								RGTAP

NOTE

- 1 The rigid tapping of the 2nd spindle is available by the multi-spindle control function.
When SWS1 is set to 1 (regardless of whether SWS2 is set to 0 or 1), rigid tapping is performed using the 1st spindle. When SWS1 is set to 0, and SWS2 is set to 1, rigid tapping is performed using the 2nd spindle.
- 2 This signal is used when the rigid tapping of the second spindle.
According to the GR21 signal, the individual gear parameters for gear 1 or 2, also used for the 1st spindle, are selected.

(b) Series 30i

	#7	#6	#5	#4	#3	#2	#1	#0
G027							SWS2 (*1)	SWS1 (*1)
G028						GR2	GR1	
G029							GR22 (*2)	GR21 (*2)
G061								RGTAP

NOTE

- 1 The rigid tapping of the 2nd spindle is available by the multi-spindle control function.
When SWS1 is set to 1 (regardless of whether SWS2 is set to 0 or 1), rigid tapping is performed using the 1st spindle. When SWS1 is set to 0, and SWS2 is set to 1, rigid tapping is performed using the 2nd spindle.
- 2 This signal is used when the rigid tapping of the second spindle.

(c) Series 15i

	#7	#6	#5	#4	#3	#2	#1	#0
1st- G026								SPSTPA
2nd- G272								SPSTPB

(d) Common to CNCs

	15i	16i	30i	#7	#6	#5	#4	#3	#2	#1	#0
1st- G227	G070	G070	G070			SFRA	SRVA	CTH1A	CTH2A		
2nd- G235	G074	G074	G074			SFRB	SRVB	CTH1B	CTH2B		

(2) Output signals (CNC→PMC)

(a) Series 16i

	#7	#6	#5	#4	#3	#2	#1	#0
F034						GR30 (*1)	GR20 (*1)	GR10 (*1)
F065							RGSPM (*1)	RGSP (*1)
F076					RTAP			

NOTE

*1 These signals are effective when M series.

(b) Series 30i

	#7	#6	#5	#4	#3	#2	#1	#0
F034						GR30 (*1)	GR20 (*1)	GR10 (*1)
F065							RGSPM (*1)	RGSP (*1)
F076					RTAP			

NOTE

*1 These signals are effective when M series.

(c) Series 15i

	#7	#6	#5	#4	#3	#2	#1	#0
F040				RTAP				
F155						RSPC	RSPM	RSPP

2.3.5 Sequence

For a rigid tapping sequence, refer to the Connection Manual (Function) of each CNC.

(a) For Series 16i/18i/21i

“FANUC Series 16i/18i/21i-MODEL B

CONNECTION MANUAL (FUNCTION) : B-63523EN-1

Refer to Section 9.11, “RIGID TAPPING.”

(b) For Series 30i/31i/32i

“FANUC Series 30i/31i/32i-MODEL A

CONNECTION MANUAL (FUNCTION) : B-63943EN-1

Refer to Section 11.11, “RIGID TAPPING.”

(c) For Series 15i

“FANUC Series 15i-MODEL B

CONNECTION MANUAL (FUNCTION) : B-63783EN-1

Refer to Section 9.8, “RIGID TAPPING.”

(d) For Series 0i

“FANUC Series 0i-MODEL B

CONNECTION MANUAL (FUNCTION) : B-63833EN-1

Refer to Section 9.10, “RIGID TAPPING.”

2.3.6 Related Parameters

Parameter No.			Description
15i	16i	30i	
-	5210	5210	M code of rigid tapping command
5606#6	5202#0 (M series only)	5202#0	Whether to perform orientation (reference position return) when starting rigid tapping
-	3706#1,#0 3707#1,0	-	Gear ratio between spindle and position coder, 1:1, 1:2, 1:4, 1:8
5842	-	3720	Number of pulse of the position coder
3065 to 3068	5280 5281 to 5284	5280 5281 to 5284	Position gain of tapping axis at rigid tapping (16i /30i: No. 5284 is used for the T series only.)
5605#1	-	-	Acc./Dec. type (Set to 1.)
5711	5241 5242 5243 5244	5241 5242 5243 5244	Spindle maximum speed at rigid tapping (16i: No. 5244 is used for the T series only.)
5605#2 5757 5886 5889 5892	- - - - -	- - - - -	Spindle speed for determining an acceleration value for cutting feed on rigid tapping
5605#2 5751 5884 5887 5890 5893	5261 5262 5263 5264	5261 5262 5263 5264	Acc./Dec. time constant (16i: No. 5264 is used for the T series only.)
5605#2 5752 5885 5888 5891 5894	- - - - -	- - - - -	FL speed for spindle and drilling axis acceleration/deceleration on rigid tapping
-	5200#4	5200#4	Override selection at extracting
5883	5211	5211	Override value at extracting
-	5201#2 5271 to 5274	5201#2 5271 to 5274	Time constant at extracting (No. 5274 is used for the T series only.)
1827	5300	5300	In-position width of tapping axis
5875	5301	5301	In-position width of spindle
1837	5310 5341	5310	Allowable level of position error of tapping axis at moving
5876	5311	5311	Allowable level of position error of spindle at moving
1829	5312	5312	Allowable level of position error of tapping axis at stop
5877	5313	5313	Allowable level of position error of spindle at stop
5853 5856 5859 5862	5321 5322 to 5324	5321 5322 to 5324	Backlash of spindle (16i: Nos.5322 to 5324, 30i: No. 5324 is used for the T series only.)
3000#4	4000#4	4000#4	Reference position return direction on servo mode
3002#5	4002#5	4002#5	Whether to enable the rotation direction signal (SFR/SRV) on servo mode
3005#0	4005#0	4005#0	Setting of the velocity feedback method (Set to 1.)

Parameter No.			Description
15i	16i	30i	
3044 3045	4044 4045	4044 4045	Velocity loop proportional gain on servo mode/spindle synchronous control (It is selected by input signal CTH1A/B.)
3052 3053	4052 4053	4052 4053	Velocity loop integral gain on servo mode/spindle synchronous control (It is selected by input signal CTH1A/B.)
3056 to 3059	4056 to 4059	4056 to 4059	Gear ratio between spindle and motor (It is selected by input signal CTH1A or CTH2A)
3065 to 3068	4065 to 4068	4065 to 4068	Spindle position gain on servo mode/spindle synchronous control (It is selected by input signal CTH1A or CTH2A)
3073	4073	4073	Grid shift amount on servo mode
3074	4074	4074	Reference position return speed on servo mode
3091	4091	4091	Position gain change ratio at reference position return time on servo mode
3085	4085	4085	Motor voltage on servo mode/spindle synchronous control
3099	4099	4099	Delay time for stable motor excitation

NOTE

- 1 For the parameters related to detectors, see Section 1.3, "PARAMETERS RELATED TO DETECTORS" in the Part III.
- 2 For velocity loop proportional/integral gain adjustment, see Section 4.1, "VELOCITY LOOP GAIN ADJUSTMENT", in Part III.

2.3.7 Details of Related Parameters

This subsection details the serial spindle parameters (in the four thousands for 16i, in the four thousands for 30i, and in the three thousands for 15i) among the parameters related to rigid tapping. For details of other parameters, refer to the parameter manual of each CNC.

15i	16i	30i	#7	#6	#5	#4	#3	#2	#1	#0
3000	4000	4000				RETSV				

RETSV Reference position return direction on servo mode (rigid tapping/spindle positioning)

- 0 : The spindle performs a reference position return operation in the CCW(counter-clockwise) direction.
 1 : The spindle performs a reference position return operation in the CW(clockwise) direction.

15i	16i	30i	#7	#6	#5	#4	#3	#2	#1	#0
3002	4002	4002			SVMDRT					

SVMDRT Whether to enable the rotation direction signal (SFR/SRV) function on servo mode (rigid tapping/spindle positioning)

0 : Enables the rotation direction function.

If a move command from the CNC is positive (+),

(a) The spindle rotates in the CCW direction when the input signal SFR (bit 5 of G70) = 1.

(b) The spindle rotates in the CW direction when the input signal SRV (bit 4 of G70) = 1.

1 : Disables the rotation direction function.

If a move command from the CNC is positive (+), the spindle rotates in the CCW direction when the input signal SFR = 1 or SRV = 1.

15i	16i	30i	#7	#6	#5	#4	#3	#2	#1	#0
3005	4005	4005								VCTLPC

VCTLPC Sets the velocity feedback method.

0 : Exercises velocity control with an estimated velocity only.

1 : Uses a velocity calculated from the position coder signal to exercise velocity control.

Set to 1.

15i	16i	30i	Velocity loop proportional gain on servo mode/spindle synchronous control (HIGH)							
3044	4044	4044	CTH1A=0							
3045	4045	4045	Velocity loop proportional gain on servo mode/spindle synchronous control (LOW)							
			CTH1A=1							

Unit of data :

Valid data range :

Standard setting value : Depends on the motor model.

These parameters set a velocity loop proportional gain on servo mode (rigid tapping/spindle positioning) or spindle synchronous control.

When the input signal CTH1A = 0, (HIGH) is selected. When the input signal CTH1A = 1, (LOW) is selected.

15i	16i	30i
3052	4052	4052
3053	4053	4053

Velocity loop integral gain on servo mode/spindle synchronous control (HIGH) CTH1A=0
Velocity loop integral gain on servo mode/spindle synchronous control (LOW) CTH1A=1

Unit of data :
Valid data range :
Standard setting value :

0 to 32767

Depends on the motor model.

These parameters set a velocity loop integral gain on servo mode (rigid tapping/spindle positioning) or spindle synchronous control. When the input signal CTH1A = 0, (HIGH) is selected. When the input signal CTH1A = 1, (LOW) is selected.

NOTE

For velocity loop gain setting on spindle synchronous control and servo mode, the common parameters are used.

15i	16i	30i
3056	4056	4056
3057	4057	4057
3058	4058	4058
3059	4059	4059

Gear ratio (HIGH)	CTH1A=0, CTH2A=0
Gear ratio (MEDIUM HIGH)	CTH1A=0, CTH2A=1
Gear ratio (MEDIUM LOW)	CTH1A=1, CTH2A=0
Gear ratio (LOW)	CTH1A=1, CTH2A=1

Unit of data :
Valid data range :
Standard setting :

(Motor rotation for one rotation of spindle) / 100

(When parameter No. 4006 #1 (GRUNIT) is 1, motor rotation / 1000)

0 to 32767

100

These parameters set the gear ratio of the spindle motor relative to the spindle.

When the motor rotates 2.5 times, for every rotation of the spindle, for example, set 250 in the parameter.

NOTE

- 1 A parameter is selected by the input signals CTH1A and CTH2A. Ensure that the gear or clutch state corresponds to the input signals CTH1A and CTH2A. When the signals are not input correctly, the overcurrent alarm (spindle alarm 12) can be issued.
- 2 When using a position coder, be sure to set this parameter. If this parameter is not set correctly, the velocity error excess alarm (spindle alarm 02), motor binding alarm (spindle alarm 31), or gear ratio parameter setting error alarm (spindle alarm 35) may be detected.

15i	16i	30i
3065	4065	4065
3066	4066	4066
3067	4067	4067
3068	4068	4068

Spindle position gain on servo mode/spindle synchronous control (HIGH) CTH1A=0, CTH2A=0
Spindle position gain on servo mode/spindle synchronous control (MEDIUM HIGH) CTH1A=0, CTH2A=1
Spindle position gain on servo mode/spindle synchronous control (MEDIUM LOW) CTH1A=1, CTH2A=0
Spindle position gain on servo mode/spindle synchronous control (LOW) CTH1A=1, CTH2A=1

Unit of data : 0.01sec⁻¹
 Valid data range : 0 to 32767
 Standard setting value : 1000

These parameters set a position gain on servo mode (rigid tapping/spindle positioning) or spindle synchronous control.
 A parameter is selected according to the input signals CTH1A and CTH2A.

NOTE

For velocity loop gain setting on spindle synchronous control and servo mode, the common parameters are used.

15i	16i	30i
3073	4073	4073

Grid shift amount on servo mode
--

Unit of data : 1 pulse (=360°/4096)
 Valid data range : 0 to 4095
 Standard setting value : 0

This parameter is used to shift the reference position on servo mode (rigid tapping/spindle positioning).
 The reference position of the spindle is shifted in the CCW direction by the specified number of pulses.

15i	16i	30i
3074	4074	4074

Reference position return speed on servo mode
--

Unit of data : 1min⁻¹
 Valid data range : 0 to 32767
 Standard setting value : 0

To perform a reference position return operation, set a reference position return speed in this parameter.

15i	16i	30i
3085	4085	4085

Motor voltage on servo mode/spindle synchronous control
--

Unit of data : 1%
 Valid data range : 0 to 100
 Standard setting value : 60

These parameters set a motor voltage on rigid tapping. Usually, set 60.

15i 16i 30i
3091 4091 4091

Position gain change ratio at reference position return time on servo mode

Unit of data : 1%
Valid data range : 0 to 100
Standard setting value : 100

This parameter sets a position gain change ratio at reference position return time on servo mode (rigid tapping, spindle positioning, and so forth).

NOTE

<p>An overshoot can occur at reference position return time for a cause such as an excessively high reference position return speed and an excessively large spindle inertia. In this case, an overshoot can be avoided by setting a small value in this parameter.</p>

15i 16i 30i
3099 4099 4099

Delay time for stable motor excitation

Unit of data : 1ms
Valid data range : 0 to 32767
Standard setting value : 0

This parameter sets a period of time required until motor excitation becomes stable on rigid tapping.

NOTE

<p>In switching from the velocity control mode to rigid tapping mode, the stop time excessive error alarm can be issued intermittently. This is because the excitation state of the spindle motor changes abruptly, and therefore a transient state occurs in the motor, thus moving the motor shaft slightly. In such a case, set this parameter. In general, set a value from about 300 to 400 (300 to 400 msec).</p>

2.3.8 Parameter Setting Procedure

(1) Gear ratio between the spindle and the motor

The loop gain constant parameter is not used in the αCi series (Serial) spindle system.

“Gear ratio between the spindle and the motor” parameter should be set instead of it.

Each parameter is selected according to the gear selection signal (CTH1A/B, CTH2A/B).

[1st. sp]

Gear signal		Parameter No.		
CTH1A	CTH2A	15i	16i	30i
0	0	3056 (S1)	4056 (S1)	4056 (S1)
0	1	3057 (S1)	4057 (S1)	4057 (S1)
1	0	3058 (S1)	4058 (S1)	4058 (S1)
1	1	3059 (S1)	4059 (S1)	4059 (S1)

[2nd. sp]

Gear signal		Parameter No.		
CTH1B	CTH2B	15i	16i	30i
0	0	3056 (S1)	4056 (S2)	4056 (S2)
0	1	3057 (S1)	4057 (S2)	4057 (S2)
1	0	3058 (S1)	4058 (S2)	4058 (S2)
1	1	3059 (S1)	4059 (S2)	4059 (S2)

(2) Position gain

In rigid tapping, the tapping axis and spindle are controlled to be synchronized. So, the position gains of the tapping axis and spindle must be set to the same value.

[Series 16i]

The position gain parameter of the tapping axis in the rigid tapping is selected as follows according to the gear selection signal.

Standard machining [M series]: GR30, GR20, GR10

Turning [T series] and machining [M series] with surface speed constant option: GR2, GR1

Second spindle of turning [T series]: GR21 (Multi-spindle control option is needed)

Standard machining [M series]

Gear signal			Parameter No.
GR10	GR20	GR30	
			5280 ^(*)
1	0	0	5281
0	1	0	5282
0	0	1	5283

Turning [T series] and machining [M series] with surface speed constant

Gear signal			Parameter No.	
1st. sp		2nd. sp		
GR1	GR2	GR21	T	M
			5280 ^(*)	
0	0	0	5281	
1	0	1	5282	
0	1		5283	
1	1		5284	5283

NOTE

*1 When this parameter is "0", each gear parameter becomes valid.
When this parameter is not "0", each gear parameter becomes invalid, and this parameter is always used.

The position gain parameter of the spindle in the rigid tapping is selected as follows according to the gear selection signal (CTH1A/B, CTH2A/B). (This is common T series and M series)

[1st. sp]			[2nd. sp]		
Gear signal		Parameter No.	Gear signal		Parameter No.
CTH1A	CTH2A		CTH1B	CTH2B	
0	0	4065 (S1)	0	0	4065 (S2)
0	1	4066 (S1)	0	1	4066 (S2)
1	0	4067 (S1)	1	0	4067 (S2)
1	1	4068 (S1)	1	1	4068 (S2)

CAUTION

Take care to input the gear selection signal GR1, GR2, GR21, GR10, GR20, GR30 and CTH1A/B, CTH2A/B according to the real gear state in order to get the same position gain of the tapping axis and that of the spindle, because GR1, GR2, GR21, GR10, GR20, GR30 and CTH1A/B, CTH2A/B are inputted independently.

[Series 30i]

The position gain parameter of the tapping axis in the rigid tapping is selected as follows according to the gear selection signal.

Standard machining[M series]: GR30, GR20, GR10

Turning [T series] and machining [M series] with surface speed constant option : GR2, GR1

Second spindle : GR22, GR21(Multi-spindle control option is needed)

Turning [T series] and machining [M series] with surface speed constant

Gear signal			Parameter No.
GR10	GR20	GR30	
1	0	0	5231
0	1	0	5232
0	0	1	5233

Gear signal		Parameter No.	
GR1 GR2	GR21	T	M
		5280 ^(*)	
0	0	5281	
1	0	5282	
0	1	5283	
1	1	5284	5283

* First spindle: GR1, GR2 / Second spindle: GR21, GR22

NOTE

- *1 When this parameter is "0", each gear parameter becomes valid.
When this parameter is not "0", each gear parameter becomes invalid, and this parameter is always used.

The position gain parameter of the spindle in the rigid tapping is selected as follows according to the gear selection signal (CTH1A/B, CTH2A/B). (This is common T series and M series)

[1st. sp]			[2nd. sp]		
Gear signal		Parameter No.	Gear signal		Parameter No.
CTH1A	CTH2A		CTH1B	CTH2B	
0	0	4065 (S1)	0	0	4065 (S2)
0	1	4066 (S1)	0	1	4066 (S2)
1	0	4067 (S1)	1	0	4067 (S2)
1	1	4068 (S1)	1	1	4068 (S2)

CAUTION

Take care to input the gear selection signal GR1, GR2, GR21, GR22, GR10, GR20, GR30 and CTH1A/B, CTH2A/B according to the real gear state in order to get the same position gain of the tapping axis and that of the spindle, because GR1, GR2, GR21, GR22, GR10, GR20, GR30 and CTH1A/B, CTH2A/B are inputted independently.

[Series 15i]

In the rigid tapping, the same parameter address data is used for the position gain of the tapping axis and the spindle.
Each position gain is selected as follows according to the gear selection signal (CTH1A, CTH2A).

Gear signal		Parameter No.
CTH1A	CTH2A	
0	0	3065
0	1	3066
1	0	3067
1	1	3068

(3) Acceleration/deceleration time constant**[Series 16i]**

- (1) Each parameter can be set for each gear and is selected according to the gear selection signal.
By setting the following parameter, the different time constant between the cutting in and cutting out (extracting) becomes available.

5201 #2

0 : The same time constant between cutting in and out.
(No. 5261 to 5264)

- 1 : The different time constant between cutting in and out.
 Cutting in : No. 5261 to 5264
 Cutting out: No. 5271 to 5274

Standard Machining [M series]: GR30, GR20, GR10
 Turning [T series] and Machining [M series] with surface speed constant : GR2, GR1
 2nd. sp of Turning [T series] : GR21 (Multi-spindle control option is needed)

Standard machining [M series]

Gear signal			Time constant (Cutting in) Parameter No.	Time constant (Cutting out) Parameter No.	Spindle max. speed at rigid tapping Parameter No.	
GR10	GR20	GR30				
1	0	0	5261	5271	5241	
0	1	0	5262	5272	5242	
0	0	1	5263	5273	5243	

Turning [T series] and machining [M series] with surface speed constant

Gear signal			Time constant (Cutting in) Parameter No.	Time constant (Cutting out) Parameter No.	Spindle max. speed at rigid tapping Parameter No.	
1st. sp		2nd. sp				
GR1	GR2	GR21			T/TT	M
0	0	0	5261	5271	5241	5241
1	0	1	5262	5272	5242	5242
0	1	-	5263	5273	5243	5243
1	1	-	5264 ^(*)	5274 ^(*)	5244 ^(*)	-

NOTE

*1 This is not available for Machining (M series).

- (2) The override at extracting.

5200 #4 0 : The override at extracting is not valid.
 1 : The override at extracting is valid.
 (Set override value at No. 5211)

[Series 30i]

- (1) Each parameter can be set for each gear and is selected according to the gear selection signal.
 By setting the following parameter, the different time constant between the cutting in and cutting out (extracting) becomes available.

5201 #2 0 : The same time constant between cutting in and out.
 (No. 5261 to 5264)
 1 : The different time constant between cutting in and out.
 Cutting in : No. 5261 to 5264
 Cutting out: No. 5271 to 5274

Standard Machining [M series]: GR30, GR20, GR10
 Turning [T series] and Machining [M series] with surface speed constant : GR2, GR1

2nd. sp : GR21, GR21 (Multi- spindle control option is needed)

Standard machining [M series]

Gear signal			Time constant (Cutting in) Parameter No.	Time constant (Cutting out) Parameter No.	Spindle max. speed at rigid tapping Parameter No.
GR1O	GR2O	GR3O			
1	0	0	5261	5271	5241
0	1	0	5262	5272	5242
0	0	1	5263	5273	5243

Turning [T series] and machining [M series] with surface speed constant

Gear signal		Time constant (Cutting in) Parameter No.	Time constant (Cutting out) Parameter No.	Spindle max. speed at rigid tapping Parameter No.	
GRs1*	GRs2*			T	M
0	0	5261	5271	5241	5241
1	0	5262	5272	5242	5242
0	1	5263	5273	5243	5243
1	1	5264 ⁽¹⁾	5274 ⁽¹⁾	5244 ⁽¹⁾	-

* First spindle: GR1, GR2 / Second spindle: GR21, GR22

NOTE

*1 This is not available for Machining (M series).

(2) The override at extracting.

5200 #4 0 : The override at extracting is not valid.
1 : The override at extracting is valid.
(Set override value at No. 5211)

[Series 15i]

(1) Acc./Dec. type

5605 #1 0 : Exponential type Acc./Dec.
1 : Linear type Acc./Dec. (Standard setting)

NOTE

Usually, linear type acceleration/deceleration (bit 1 of No. 5605 = 1) is used.

(2) Set Acc./Dec. the time constant of the rigid tapping mode.

<1> The time constant is a fixed value if bit 2 of parameter No. 5605 = 0.

Acc./Dec. time constant	5751
Spindle speed	5757

<2> When bit 2 of parameter No.5605 is set to 1, one of the four acceleration/deceleration time constants is selected, depending on the spindle speed.

	Spindle speed	Acc./Dec. time constant
Gear 1	5886	5884
Gear 2	5889	5887
Gear 3	5892	5890
Gear 4	-	5893

2.3.9 Adjustment Procedure

(1) Parameters used for adjustment

The table below lists and describes the parameters used for adjusting rigid tapping.

Parameter No.(FS16i)	Description
5241 to 5244	Maximum spindle speed on rigid tapping (Depends on the GR signal. 5244 is for the T series only.)
5261 to 5264	Acceleration/deceleration time constant on rigid tapping (Depends on the GR signal. 5264 is for the T series only.)
5280 to 5284	Position gain of tapping axis on rigid tapping (5280 is for all gears. 5281 to 5284 depend on the GR signal. 5284 is for T series only.)
4065 to 4068	Spindle position gain on rigid tapping (depends on CTH1 and CTH2 signals)
4044 to 4045	Velocity proportional gain on rigid tapping (depends on CTH1A signal)
4052 to 4053	Velocity integral gain on rigid tapping (depends on CTH1A signal)
4085	Motor voltage on rigid tapping (Set to 60.)
4099	Delay time for motor excitation (Specify a value around 300 to 400.)

(2) Spindle data used for adjustment

For this item, see Item 2.3.9-(2), "Spindle data used for adjustment", in Part I.

(3) Adjustment procedure

For this item, see Item 2.3.9-(3), "Adjustment procedure", in Part I.

2.3.10 Diagnosis (Diagnosis Screen)

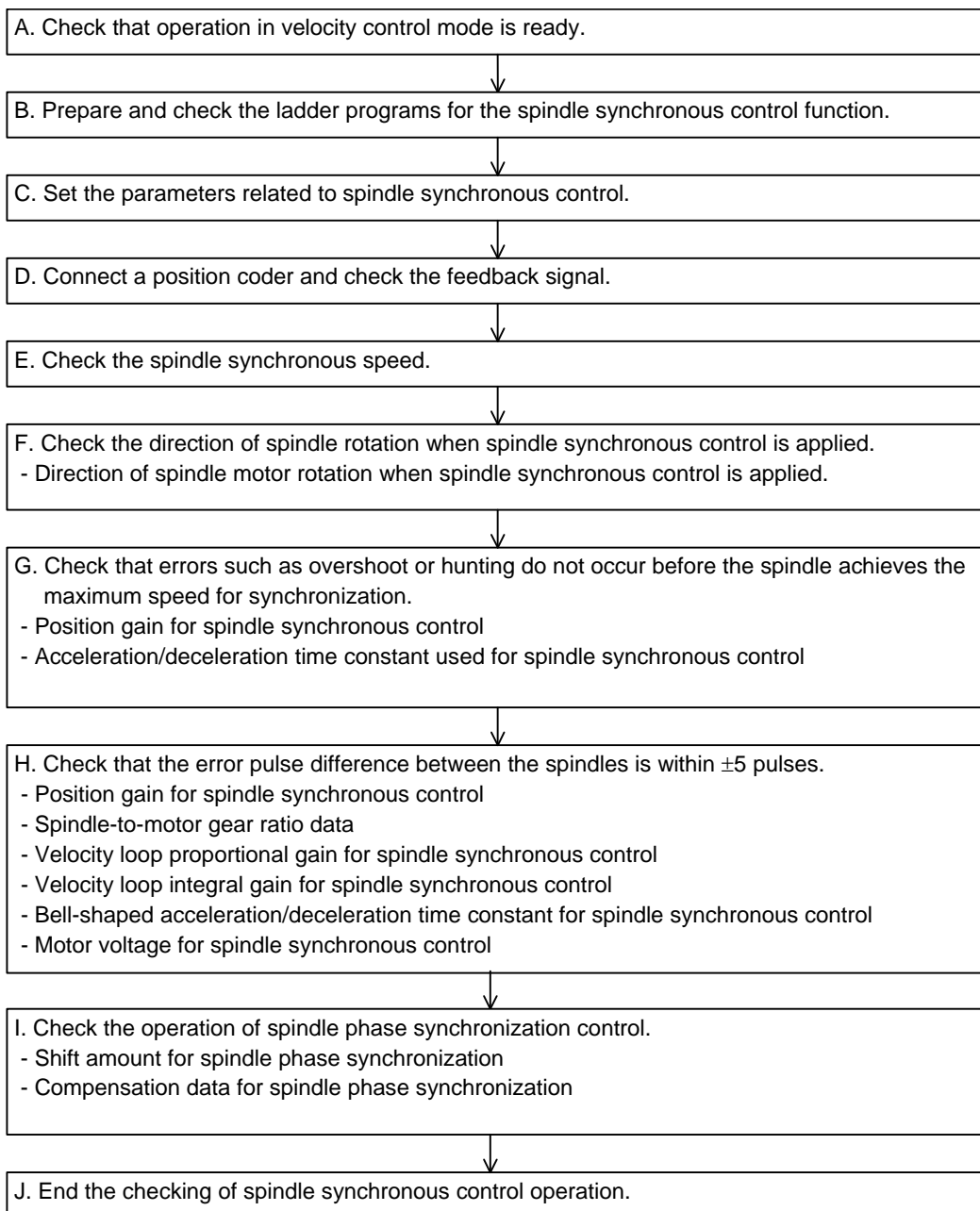
For this subsection, see Subsection 2.3.10, "Diagnosis (Diagnosis Screen)", in Part I.

2.3.11 Alarm

For this subsection, see Subsection 2.3.11, "Alarm", in Part I.

2.4 SPINDLE SYNCHRONOUS CONTROL (OPTIONAL FUNCTION)

2.4.1 Start-up Procedure



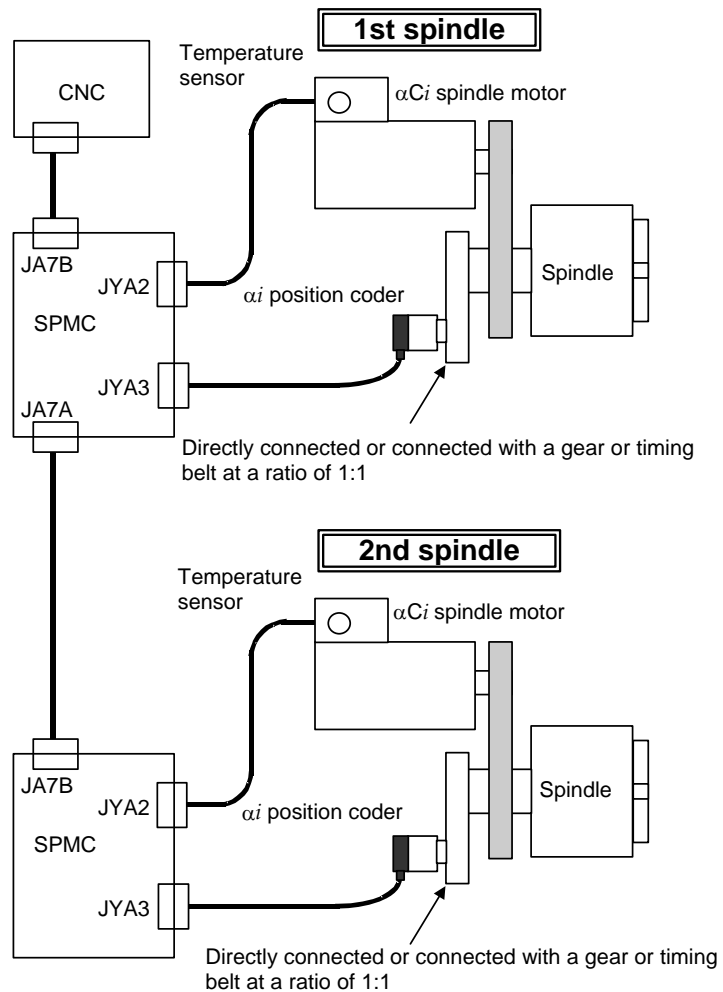
2.4.2 Overview

For this subsection, see Subsection 2.5.2, “ Overview “, in Part I.

2.4.3 System Configuration

The system configurations that enable the use of the spindle synchronous control function are shown below.

(1) When the α i position coder is used



NOTE

The spindle sensor (separate detector) usable with the α Ci series spindle amplifier is a position coder only.

2.4.4 Explanation of Operation

For this subsection, see Subsection 2.5.4, “Explanation of Operation”, in Part I.

2.4.5 I/O Signals (CNC \leftrightarrow PMC)

(1) Address list of input signals (PMC \rightarrow CNC)

	16i	30i	#7	#6	#5	#4	#3	#2	#1	#0
Common to all axes	G038	G038					SPPHS	SPSYC		
Common to all axes	G032	G032	R08I	R07I	R06I	R05I	R04I	R03I	R02I	R01I
Common to all axes	G033	G033			SSGN		R12I	R11I	R10I	R09I
1st-	G070	G070			SFRA	SRVA	CTH1A	CTH2A		
2nd-	G074	G074			SFRB	SRVB	CTH1B	CTH2B		
1st-	G071	G071			INTGA					
2nd-	G075	G075			INTGB					

(2) Details of input signals (PMC \rightarrow CNC)

With the αCi series, the signals indicated in the item above are valid. For details of each signal, see Item 2.5.5-(2), “Details of input signals (PMC \rightarrow CNC)”, in Part I.

(3) Address list of output signals (CNC \rightarrow PMC)

	16i	30i	#7	#6	#5	#4	#3	#2	#1	#0
Common to all axes	F044	F044				SYCAL	FSPPH	FSPSY		
1st-	F045	F045					SARA			
2nd-	F049	F049					SARB			

(4) Details of output signals (CNC \rightarrow PMC)

With the αCi series, the signals indicated in the item above are valid. For details of each signal, see Item 2.5.5-(4), “Details of output signals (CNC \rightarrow PMC)”, in Part I.

2.4.6 Examples of Sequences

For this subsection, see Subsection 2.5.6, “Examples of Sequences”, in Part I.

2.4.7 Related Parameters

Parameter No.		Description
16i	16i	
4800#0	-	Direction of rotation of the 1st spindle motor while spindle synchronous control is applied
4800#1	-	Direction of rotation of the 2nd spindle motor while spindle synchronous control is applied
-	4801#0	Direction of rotation of each spindle motor while spindle synchronous control is applied
4810	4810	Error pulse difference between the two spindles for turning on the spindle phase synchronous completion signal
4811	4811	Error pulse difference between the two spindles for issuing an alarm on spindle synchronous control
4002#6	4002#6	Whether to enable the rotation direction signal (SFR/SRV) function on spindle synchronous control
4005#0	4005#0	Setting of the velocity feedback method
4006#1	4006#1	Gear ratio increment system
4006#3	4006#3	Setting for disabling automatic one-rotation signal detection at spindle synchronous control mode switching time
4032	4032	Acceleration used for spindle synchronous control (The same value must be set for both the 1st and 2nd spindles.)
4033	4033	Spindle synchronous speed arrival level
4034	4034	Shift amount for spindle phase synchronous control
4035	4035	Compensation data for spindle phase synchronous control
4044 4045	4044 4045	Velocity proportional gain on spindle synchronous control (A parameter is selected by the CTH1A PMC input signal.)
4052 4053	4052 4053	Velocity integral gain on spindle synchronous control (A parameter is selected by the CTH1A PMC input signal.)
4056 to 4059	4056 to 4059	Spindle-to-motor gear ratio data (A parameter is selected by the CTH1A and CTH2A PMC input signals.)
4065 to 4068	4065 to 4068	Position gain on spindle synchronous control (The same value must be specified for both the 1st and 2nd spindles.) (A parameter is selected by the CTH1A and CTH2A PMC input signals.)
4085	4085	Motor voltage on spindle synchronous control
4336	4336	Magnetic flux switching point used for calculating an acceleration/deceleration time constant used on spindle synchronous control (The same value must be specified for both the 1st and 2nd spindles.)
4340	4340	Bell-shaped acceleration/deceleration time constant on spindle synchronous control (The same value must be specified for both the first and second spindles.)

NOTE

- 1 For the detector-related parameters, see Section 1.3, "PARAMETERS RELATED TO DETECTORS", in Part III.
- 2 For velocity loop proportional/integral gain adjustment, see Section 4.1, "VELOCITY LOOP GAIN ADJUSTMENT", in Part III.

2.4.8 Details of Related Parameters

This subsection details the serial spindle parameters (in the four thousands for 16*i* and 30*i*) among the parameters related to spindle synchronous control. For details of other parameters, refer to the parameter manual of each CNC.

(a) For Series 16*i*/18*i*/21*i*

“FANUC Series 16*i*/18*i*/21*i*-MODEL B

CONNECTION MANUAL (FUNCTION) : B-63523EN-1

Refer to Section 9.12, “SPINDLE SYNCHRONOUS CONTROL.”

(b) For Series 30*i*/31*i*/32*i*

“FANUC Series 30*i*/31*i*/32*i*-MODEL A

CONNECTION MANUAL (FUNCTION) : B-63943EN-1

Refer to Section 11.13, “SPINDLE SYNCHRONOUS CONTROL.”

(c) For Series 0*i*

“FANUC Series 0*i*-MODEL B

CONNECTION MANUAL (FUNCTION) : B-63833EN-1

Refer to Section 9.11, “SPINDLE SYNCHRONOUS CONTROL.”

16 <i>i</i>	30 <i>i</i>	#7	#6	#5	#4	#3	#2	#1	#0
4002	4002		SYCDRT						

SYCDRT Whether to enable the rotation direction signal (SFR/SRV) function on spindle synchronous control

0 : Enables the rotation direction function.

If a move command from the CNC is positive (+),

(a) The spindle rotates in the CCW direction when the input signal SFR (bit 5 of G70) = 1.

(b) The spindle rotates in the CW direction when the input signal SRV (bit 4 of G70) = 1.

1 : Disables the rotation direction function.

If a move command from the CNC is positive (+), the spindle rotates in the CCW direction when the input signal SFR = 1 or SRV = 1.

16 <i>i</i>	30 <i>i</i>	#7	#6	#5	#4	#3	#2	#1	#0
4005	4005								VCTLPC

VCTLPC Sets the velocity feedback method.

0 : Exercises velocity control with an estimated velocity only.

1 : Uses a velocity calculated from the position coder signal to exercise velocity control.

Set to 1.

16i	30i	#7	#6	#5	#4	#3	#2	#1	#0
4006	4006					SYCREF		GRUNIT	

GRUNIT Sets a gear ratio setting resolution:

- 0 : 1/100 unit
- 1 : 1/1000 unit

Select a gear ratio data setting resolution from the following:

- (a) Resolution based on motor speed increased by a factor of 100 relative to one spindle rotation
- (b) Resolution based on motor speed increased by a factor of 1000 relative to one spindle rotation

Depending on the setting of this parameter, the increment system of the parameters indicated in the table below changes.

Parameter No.		Description
16i	30i	
4056 to 4059	4056 to 4059	Spindle-to-motor gear ratio data

NOTE

- 1 Usually, use the 1/100 unit (setting “0”).
- 2 When the 1/100 unit is set as the gear ratio setting resolution (with the bit set to 0), a steady-state synchronous error may be indicated due to the fraction of the gear ratio.
In such a case, the synchronous error can be improved when the 1/1000 unit is set as the gear ratio setting resolution (with the bit set to 1).

SYCREF Setting for function performing automatic detection of the one-rotation signal on spindle synchronous control

- 0 : Automatic detection of the one-rotation signal carried out
- 1 : Automatic detection of the one-rotation signal not carried out.
(When spindle phase synchronization is not carried out)

When the mode is switched to spindle synchronous control mode after power-on, the two spindles automatically perform a one-rotation signal detection operation. So, the spindles automatically make two to three turns even if such turns are not intended.

This operation is required because the one-rotation signal must be detected to enable spindle phase synchronous control.

If the two spindles are mechanically connected to disable each spindle from performing a one-rotation signal detection operation, or if spindle phase synchronous control is not exercised, the operation above can be disabled by setting this bit to 1.

When this parameter is set to 1, check that the one-rotation signal has been detected for both spindles (output signal PC1DTA = 1) before applying the spindle phase synchronous control signal (SPPHS).

If the one-rotation signal is not detected, specify a speed of several ten min⁻¹ or higher in spindle synchronous control mode, and wait until the one-rotation signal is detected. (See sequence example (4).)

16i 30i
4032 4032

Acceleration at spindle synchronous control
--

Unit of data : $1\text{min}^{-1}/\text{sec}$
Valid data range : 0 to 32767
Standard setting : 0

This parameter sets an acceleration value for linear acceleration/deceleration when the synchronous speed command for spindle synchronous control is changed.

NOTE

- | |
|---|
| <ol style="list-style-type: none"> 1 Set exactly the same data for 1st spindle and 2nd spindle. When different data is set, synchronization between the two spindles is not guaranteed. 2 When this parameter is set to 0, the spindle doesn't accelerate or decelerate, so, be sure to set proper value in this parameter. |
|---|

16i 30i
4033 4033

Spindle synchronous speed arrival level
--

Unit of data : 1min^{-1}
Valid data range : 0 to 32767
Standard setting : 10

For the synchronous speed command at spindle synchronous control, if the error of the respective spindle motor speeds are within the setting level, the spindle synchronous control complete signal (FSPSY) becomes "1".

16i 30i
4034 4034

Shift amount at spindle phase synchronous control
--

Unit of data : 1 pulse unit ($360^\circ/4096$)
Valid data range : 0 to 4095
Standard setting : 0

Sets the shift amount from the reference point at spindle phase synchronous control (one-rotation signal).

16i 30i
4035 4035

Spindle phase synchronous compensation data
--

Unit of data : 1 pulse/2msec
Valid data range : 0 to 4095
Standard setting : 10

This parameter reduces speed fluctuations when aligning phase of spindles in spindle phase synchronous control.

When this parameter is "0", since the phase alignment amount is only issued once, the position error quickly becomes large, and there are large speed changes on phase alignment.

It is possible to perform smooth phase alignments through issuing separate commands for phase alignment amounts for the number of 2 msec pulses set in this parameter.

16i 30i

4044 4044

Velocity loop proportional gain on servo mode/on spindle synchronous control (HIGH)	CTH1A=0
--	----------------

4045 4045

Velocity loop proportional gain on servo mode/on spindle synchronous control (LOW)	CTH1A=1
---	----------------

Unit of data :

Valid data range : 0 to 32767

Standard setting : Varies with the motor model.

This parameter sets a velocity loop proportional gain on servo mode (rigid tapping/spindle positioning) or spindle synchronous control.

It is selected HIGH when CTH1A=0 of input signal, and It is selected LOW when CTH1A=1 of input signal.

16i 30i

4052 4052

Velocity integral gain on servo mode/on spindle synchronous control (HIGH)	CTH1A=0
---	----------------

4053 4053

Velocity integral gain on servo mode/on spindle synchronous control (LOW)	CTH1A=1
--	----------------

Unit of data :

Valid data range : 0 to 32767

Standard setting : Depend on motor model.

This parameter sets a velocity loop integral gain on servo mode (rigid tapping/spindle positioning) or spindle synchronous control.

It is selected HIGH when CTH1A=0 of input signal, and It is selected LOW when CTH1A=1 of input signal.

NOTE

For velocity loop gain setting on spindle synchronous control and servo mode, the common parameters are used.

16i 30i

4056 4056

Gear ratio (HIGH)	CTH1A=0, CTH2A=0
--------------------------	-------------------------

4057 4057

Gear ratio (MEDIUM HIGH)	CTH1A=0, CTH2A=1
---------------------------------	-------------------------

4058 4058

Gear ratio (MEDIUM LOW)	CTH1A=1, CTH2A=0
--------------------------------	-------------------------

4059 4059

Gear ratio (LOW)	CTH1A=1, CTH2A=1
-------------------------	-------------------------

Unit of data : (Motor rotation for one rotation of spindle) / 100

(When parameter No. 4006 #1 (GRUNIT) is 1, motor rotation / 1000)

Valid data range : 0 to 32767

Standard setting : 100

These parameters set the gear ratio of the spindle motor to the spindle. When the motor rotates 2.5 times for each turn of the spindle, for example, set 250 in the parameter.

NOTE

- 1 A parameter is selected by the input signals CTH1A and CTH2A. Ensure that the gear or clutch state corresponds to the input signals CTH1A and CTH2A. When the signals are not input correctly, the overcurrent alarm (spindle alarm 12) can be issued.
- 2 When using a position coder, be sure to set this parameter. If this parameter is not set correctly, the velocity error excess alarm (spindle alarm 02), motor binding alarm (spindle alarm 31), or gear ratio parameter setting error alarm (spindle alarm 35) may be detected.

16i 30i
 4065 4065
 4066 4066
 4067 4067
 4068 4068

Position gain on servo mode/on spindle synchronous control (HIGH)	CTH1A=0, CTH2A=0
Position gain on servo mode/on spindle synchronous control (MEDIUM HIGH)	CTH1A=0, CTH2A=1
Position gain on servo mode/on spindle synchronous control (MEDIUM LOW)	CTH1A=1, CTH2A=0
Position gain on servo mode/on spindle synchronous control (LOW)	CTH1A=1, CTH2A=1

Unit of data : 0.01sec⁻¹
 Valid data range : 0 to 32767
 Standard setting : 1000

This sets position gain on servo mode (rigid tapping/spindle positioning). It is selected by CTH1A or CTH2A of input signal.

NOTE

For velocity loop gain setting on spindle synchronous control and servo mode, the common parameters are used.

16i 30i
 4085 4085

Motor voltage setting on spindle synchronous control

Unit of data : 1%
 Valid data range : 0 to 100
 Standard setting : 60

Set a motor voltage for spindle synchronous control. Usually, set to 60.

16i 30i
4336 4336

Acceleration switch point on spindle synchronous control

Unit of data : 1min⁻¹
Valid data range : 0 to 32767
Standard setting : 0

This parameter sets a switching speed for acceleration on spindle synchronous control.

- Area above the set speed
Linear acceleration/deceleration is performed according to the acceleration value set in the acceleration parameter (No. 4032) on spindle synchronous control.
- Area below the set speed
Acceleration changes according to the torque characteristics of the spindle motor.

NOTE

- | |
|--|
| <ol style="list-style-type: none"> 1 Set the same data for the first spindle and second spindle. If different data is set, synchronization between the two spindles is not guaranteed. 2 When this parameter is set to 0, linear acceleration/deceleration is performed. |
|--|

16i 30i
4340 4340

Bell-shaped acceleration/deceleration time constant for spindle synchronous control
--

Unit of data : 1msec
Valid data range : 0 to 512
Standard setting : 0

Set a bell-shaped acceleration/deceleration time constant used when the specified synchronous speed for spindle synchronous control is changed.

This parameter is applied to a move command after the acceleration/deceleration time constant at spindle synchronous control set in parameter No. 4032 is applied. Consequently, linear acceleration/deceleration is performed according to the time constant set in this parameter when 0 is set in parameter No. 4032.

When this parameter is set, the spindle synchronous speed control completion signal (FSPSY), output when the synchronous speed is first reached after the spindle synchronous control mode is entered, is delayed by the set time.

NOTE

- | |
|--|
| <p>Set the same data for the first spindle and second spindle. If different data is set, synchronization between the two spindles is not guaranteed.</p> |
|--|

2.4.9 Number of Error Pulses in Spindle Synchronous Control

For this subsection, see Subsection 2.5.9, “Number of Error Pulses in Spindle synchronous Control”, in Part I.

2.4.10 Specifying a Shift Amount for Spindle Phase Synchronous Control

For this subsection, see Subsection 2.5.10, “Specifying a Shift Amount for Spindle Phase Synchronous Control”, in Part I.

2.4.11 Diagnosis (Diagnosis Screen)

For this subsection, see Subsection 2.5.11, “Diagnosis (Diagnosis Screen)”, in Part I.

2.4.12 Alarm

For this subsection, see Subsection 2.5.12, “Alarm “, in Part I.

2.5 SPECIFICATIONS COMMON TO ALL OPERATION MODES

2.5.1 Overview

This section describes the I/O signals (CNC \leftrightarrow PMC), parameters, diagnosis signals, and alarms common to all operation modes.

2.5.2 List of I/O Signals (CNC \leftrightarrow PMC)

This subsection provides a list of the I/O signals related to spindle speed control only. For details of each signal, refer to the Connection Manual (Function) of each CNC.

- (a) For Series 16i/18i/21i
“FANUC Series 16i/18i/21i-MODEL B
CONNECTION MANUAL (FUNCTION) : B-63523EN-1
Refer to Section 9.3, “SPINDLE SPEED CONTROL.”
- (b) For Series 30i/31i/32i
“FANUC Series 30i/31i/32i-MODEL A
CONNECTION MANUAL (FUNCTION) : B-63943EN-1
Refer to Section 11.3, “SPINDLE SPEED CONTROL.”
- (c) For Series 15i
“FANUC Series 15i-MODEL B
CONNECTION MANUAL (FUNCTION) : B-63783EN-1
Refer to Section 9.3, “SPINDLE SPEED CONTROL.”
- (d) For Series 0i
“FANUC Series 0i-MODEL B
CONNECTION MANUAL (FUNCTION) : B-63833EN-1
Refer to Section 9.3, “SPINDLE SPEED CONTROL.”

For details of the I/O signals common to the CNCs, see Chapter 3, “I/O SIGNALS (CNC \leftrightarrow PMC)”, in Part I.

(1) Input signals (PMC \rightarrow CNC)

(a) Series 16i

		#7	#6	#5	#4	#3	#2	#1	#0
Common to all axes	G027				*SSTP2 (*1)	*SSTP1 (*1)		SWS2 (*1)	SWS1 (*1)
Common to all axes	G028						GR2	GR1	
Common to all axes	G029		*SSTP	SOR	SAR				
Common to all axes	G030	SOV7	SOV6	SOV5	SOV4	SOV3	SOV2	SOV1	SOV0
1st-	G032	R08I	R07I	R06I	R05I	R04I	R03I	R02I	R01I
2nd-	G034	R08I2	R07I2	R06I2	R05I2	R04I2	R03I2	R02I2	R01I2
1st-	G033	SIND	SSIN	SGN		R12I	R11I	R10I	R09I
2nd-	G035	SIND2	SSIN2	SGN2		R12I2	R11I2	R10I2	R09I2

NOTE

*1 These signals are valid in multi-spindle control.

(b) Series 30i

		#7	#6	#5	#4	#3	#2	#1	#0
Common to all axes	G027				*SSTP2 (*1)	*SSTP1 (*1)		SWS2 (*1)	SWS1 (*1)
Common to all axes	G028						GR2	GR1	
Common to all axes	G029		*SSTP	SOR	SAR				
Common to all axes	G030	SOV7	SOV6	SOV5	SOV4	SOV3	SOV2	SOV1	SOV0
1st-	G032	R08I	R07I	R06I	R05I	R04I	R03I	R02I	R01I
2nd-	G034	R08I2	R07I2	R06I2	R05I2	R04I2	R03I2	R02I2	R01I2
1st-	G033	SIND	SSIN	SGN		R12I	R11I	R10I	R09I
2nd-	G035	SIND2	SSIN2	SGN2		R12I2	R11I2	R10I2	R09I2

NOTE

*1 These signals are valid in multi-spindle control.

(c) Series 15i

		#7	#6	#5	#4	#3	#2	#1	#0
Common to all axes	G005							FIN	
1st-	G024	R17A	R16A	R15A	R14A	R13A	R12A	R11A	R10A
2nd-	G232	R17B	R16B	R15B	R14B	R13B	R12B	R11B	R10B
1st-	G025	RISGNA			R112A	R111A	R110A	R19A	R18A
2nd-	G233	RISGNB			R112B	R111B	R110B	R19B	R18B
1st-	G026		GS4A	GS2A	GS1A				
2nd-	G272		GS4B	GS2B	GS1B				

(d) Common to CNCs

	15i	16i	30i	#7	#6	#5	#4	#3	#2	#1	#0
1st-	G227	G070	G070	MRDYA		SFRA	SRVA	CTH1A	CTH2A	TLMHA	TLMLA (*1)
2nd-	G235	G074	G074	MRDYB		SFRB	SRVB	CTH1B	CTH2B	TLMHB	TLMLB (*1)
1st-	G226	G071	G071							*ESPA	ARSTA
2nd-	G234	G075	G075							*ESPB	ARSTB
1st-	G228	G073	G073						MPOFA		
2nd-	G236	G077	G077						MPOFB		

NOTE

*1 The signal functions of the α Ci series differ from those of the α i series. For details, see Chapter 3, "I/O SIGNALS (CNC \leftrightarrow PMC)", in Part III.

(2) Output signals (CNC \rightarrow PMC)**(a) Series 16i**

	#7	#6	#5	#4	#3	#2	#1	#0
F001				ENB				
F007						SF		
F022	S07	S06	S05	S04	S03	S02	S01	S00
F023	S15	S14	S13	S12	S11	S10	S09	S08
F024	S23	S22	S21	S20	S19	S18	S17	S16
F025	S31	S30	S29	S28	S27	S26	S25	S24
F034						GR30 (*1)	GR20 (*1)	GR10 (*1)
F036	R08O	R07O	R06O	R05O	R04O	R03O	R02O	R01O
F037					R12O	R11O	R10O	R09O

NOTE

1* These signals are valid with the M series only.

(b) Series 30i

	#7	#6	#5	#4	#3	#2	#1	#0
F001				ENB				
F007						SF		
F022	S07	S06	S05	S04	S03	S02	S01	S00
F023	S15	S14	S13	S12	S11	S10	S09	S08
F024	S23	S22	S21	S20	S19	S18	S17	S16
F025	S31	S30	S29	S28	S27	S26	S25	S24
F034						GR30 (*1)	GR20 (*1)	GR10 (*1)
F036	R08O	R07O	R06O	R05O	R04O	R03O	R02O	R01O
F037					R12O	R11O	R10O	R09O

NOTE

1* These signals are valid with the M series only.

(c) Series 15i

		#7	#6	#5	#4	#3	#2	#1	#0
Common to all axes	F008							SF	
Common to all axes	F020	S7	S6	S5	S4	S3	S2	S1	S0
Common to all axes	F021	S15	S14	S13	S12	S11	S10	S09	S08
Common to all axes	F022	S23	S22	S21	S20	S19	S18	S17	S16
Common to all axes	F023	S31	S30	S29	S28	S27	S26	S25	S24
Common to all axes	F045			SRSRDY					
1st-	F010	RO7A	RO6A	RO5A	RO4A	RO3A	RO2A	RO1A	RO0A
2nd-	F320	RO7B	RO6B	RO5B	RO4B	RO3B	RO2B	RO1B	RO0B
1st-	F11	RO15A	RO14A	RO13A	RO12A	RO11A	RO11A	RO10A	RO9A
2nd-	F321	RO15B	RO14B	RO13B	RO12B	RO11B	RO11B	RO10B	RO9B
1st-	F014	MR7A	MR6A	MR5A	MR4A	MR3A	MR2A	MR1A	MR0A
2nd-	F324	MR7B	MR6B	MR5B	MR4B	MR3B	MR2B	MR1B	MR0B
1st-	F015	MR15A	MR14A	MR13A	MR12A	MR11A	MR10A	MR9A	MR8A
2nd-	F325	MR15B	MR14B	MR13B	MR12B	MR11B	MR10B	MR9B	MR8B
1st-	F234	SSPD7A	SSPD6A	SSPD5A	SSPD4A	SSPD3A	SSPD2A	SSPD1A	SSPD0A
2nd-	F250	SSPD7B	SSPD6B	SSPD5B	SSPD4B	SSPD3B	SSPD2B	SSPD1B	SSPD0B
1st-	F235	SSPD15A	SSPD14A	SSPD13A	SSPD12A	SSPD11A	SSPD10A	SSPD9A	SSPD8A
2nd-	F251	SSPD15B	SSPD14B	SSPD13B	SSPD12B	SSPD11B	SSPD10B	SSPD9B	SSPD8B
1st-	F341								SRRDYA
2nd-	F342								SRRDYB

(d) Common to CNCs

		15i	16i	30i	#7	#6	#5	#4	#3	#2	#1	#0
1st-	F229	F045	F045			TLMA	LDT2A	LDT1A	SARA	SDTA	SSTA	ALMA
2nd-	F245	F049	F049			TLMB	LDT2B	LDT1B	SARB	SDTB	SSTB	ALMB
1st-	F231	F047	F047									PC1DTA
2nd-	F247	F051	F051									PC1DTB

2.5.3 Parameters

This subsection describes those parameters that are common to all operation modes by dividing them into several types.

NOTE

For the detector-related parameters, see Section 1.3, "PARAMETERS RELATED TO DETECTORS", in Part III.

(1) List of parameters specific to spindle motor driving

This item provides a list of the motor parameters specific to spindle motor driving. Usually, the settings of these parameters need not be changed. Use the values indicated on a parameter table for each motor model without modification.

Parameter No.			Description
15i	16i	30i	
3011#3	4011#3	4011#3	Sets the number of motor polarities.
3011#4	4011#4	4011#4	Sets a maximum output for acceleration/deceleration.
3011#7	4011#7	4011#7	Sets the number of motor polarities.
3012#2,#1,#0	4012#2,#1,#0	4012#2,#1,#0	Sets a PWM carrier frequency.
3013#6 to #2	4013#6 to #2	4013#6 to #2	Sets current dead-band data.
3020	4020	4020	Maximum motor speed
3080	4080	4080	High-speed area regenerative power limit/regenerative power limit
3083	4083	4083	Motor voltage on velocity control motor
3100	4100	4100	Base speed for motor output specification
3101	4101	4101	Torque limitation value for motor output specification
3102	4102	4102	Excitation voltage saturation speed with no load
3103	4103	4103	Base speed limit ratio
3104	4104	4104	Current loop proportional gain
3105	4105	4105	Current loop integral gain
3106	4106	4106	D-axis current loop gain
3107	4107	4107	Q-axis current loop gain
3108	4108	4108	Q-axis current deviation limitation coefficient
3109	4109	4109	Filter time constant in voltage command saturation processing
3110	4110	4110	Current conversion constant
3111	4111	4111	Secondary current coefficient
3112	4112	4112	Voltage command saturation decision level/PWM command clamp value
3113	4113	4113	Slip constant
3115	4115	4115	PWM command clamp value at deceleration time
3116	4116	4116	Motor leakage constraint
3117	4117	4117	Voltage compensation coefficient for a high-speed area in steady state/motor voltage coefficient in steady state
3118	4118	4118	Voltage compensation coefficient for a high-speed area at deceleration time/motor voltage coefficient at deceleration time
3119	4119	4119	Time constant for excitation current change at deceleration time/time constant for excitation current change
3120	4120	4120	Dead-band compensation data
3127	4127	4127	Load meter indication value at maximum output time
3128	4128	4128	Compensation coefficient between the specification and true base/maximum torque curve compensation coefficient

Parameter No.			Description
15i	16i	30i	
3130	4130	4130	Current loop proportional gain velocity coefficient/current phase delay compensation constant
3131	4131	4131	Dead-band compensation hysteresis
3133	4133	4133	Motor model code
3134	4134	4134	Motor overheat level (2 words)

(2) List of parameters related to alarm detection

This item provides a list of the parameters related to alarm detection conditions.

Parameter No.			Description
15i	16i	30i	
3009#2	4009#2	4009#2	Motor power turn-off method when spindle alarm 24 (serial data transfer error) is issued
3086	4086	4086	Gear ratio parameter setting error alarm (spindle alarm 35) detection level
3088	4088	4088	Velocity error excess detection level when the motor is bound
3089	4089	4089	Velocity error excess detection level when the motor is rotating
3090	4090	4090	Overload detection level
3123	4123	4123	Short-time overload detection period

(3) Other parameters

This item provides a list of the parameters common to all operation modes except the parameters listed in Items (1) and (2) above.

Parameter No.			Description
15i	16i	30i	
—	3706#1,#0	—	Gear ratio between the spindle and position coder (cases of $\times 1$, $\times 2$, $\times 4$, $\times 8$)
5602#3	—	—	Whether to indicate an alarm detected by the spindle amplifier (Usually, set 0.)
5807#0	—	—	Enables/disables the spindle alarms (SPxxxx) of all spindles. (Usually, set 0.)
5842	—	3720	Number of position coder pulses
5850	—	—	Spindle number selected at power-on/reset time
3001#0	4001#0	4001#0	Whether to use the MRDY signal (machine ready signal)
3002#4	4002#4	4002#4	SM pin output data selection
3005#0	4005#0	4005#0	Setting of the velocity feedback method
3006#1	4006#1	4006#1	Gear ratio increment system
3006#2	4006#2	4006#2	Sets the unit of speed.
3009#4	4009#4	4009#4	Whether to output the load detection signal (LDT1A) during acceleration/deceleration
3019#7	4019#7	4019#7	Automatic parameter setting function
3020	4020	4020	Maximum motor speed
3022	4022	4022	Speed arrival detection signal
3023	4023	4023	Speed detection level
3024	4024	4024	Speed zero detection level
3025	4025	4025	Torque limitation value.
3026	4026	4026	Load detection level 1
3056	4056	4056	Gear ratio (High)
3057	4057	4057	Gear ratio (Medium High)
3058	4058	4058	Gear ratio (Medium Low)
3059	4059	4059	Gear ratio (Low)
3078	4078	4078	Gear switch timer

Parameter No.			Description
15i	16i	30i	
3095	4095	4095	Speedometer output voltage adjustment value
3121	4121	4121	Torque change time constant (torque command filter time constant)

2.5.4 Details of parameters

This subsection details the serial spindle parameters (in the four thousands for 16i, in the four thousands for 30i, and in the three thousands for 15i) among the parameters common to all operation modes. For details of other parameters, refer to the parameter manual of each CNC.

(1) List of parameters specific to spindle motor driving

Usually, the settings of the motor parameters specific to spindle motor driving need not be changed. Their details are omitted.

(2) List of parameters related to alarm detection

This item details the parameters related to alarm detection conditions.

15i	16i	30i	#7	#6	#5	#4	#3	#2	#1	#0
3009	4009	4009						ALSP		

ALSP Motor power turn-off method when serial data transfer error (spindle alarm 24) is issued

0 : Turns off the power after the motor is decelerated and stopped.

1 : Turns off the power to the motor immediately.

Set this parameter to 1 to turn off the power to the motor immediately when any spindle alarm is issued

15i	16i	30i	
3086	4086	4086	Gear ratio parameter setting error alarm (spindle alarm 35) detection level

Unit of data : 1min^{-1}

Valid data range : 0 to 32767

Standard setting value : 0 (equivalent to 500min^{-1})

This parameter sets the detection level of the gear ratio parameter setting error alarm (spindle alarm 35).

When the difference between the motor speed calculated from the position coder feedback and gear ratio parameters (No. 4056 to No. 4059) and the estimated motor speed calculated with control software becomes equal to or greater than the setting, the gear ratio parameter setting error alarm (spindle alarm 35) is issued.

When the standard setting (0) is used, the setting of 500min^{-1} is assumed.

15i 16i 30i
3088 4088 4088

Velocity error excess detection level when the motor is bound
--

Unit of data : 0.01%
Valid data range : 0 to 10000
Standard setting value : 75

This parameter sets a velocity error excess (spindle alarm 31) detection level when the motor is bound.

If a velocity error equal to or greater than [maximum motor speed (No. 4020) \times setting data (%)] occurs when the motor is bound, for example, the motor binding alarm (spindle alarm 31) is issued.

15i 16i 30i
3089 4089 4089

Velocity error excess detection level when the motor is rotating

Unit of data : 0.1%
Valid data range : 0 to 1000
Standard setting value : 200

This parameter sets a velocity error excess detection level when the motor is rotating.

If a velocity error equal to or greater than [maximum motor speed (No. 4020) \times setting data (%)] occurs, the velocity error excess alarm (spindle alarm 02) is issued.

15i 16i 30i
3090 4090 4090

Overload detection level

Unit of data : 1%
Valid data range : 0 to 100
Standard setting value : 90

This parameter sets a condition for detecting the short-time overload alarm (spindle alarm 29).

If the state where a load equal to or greater than setting data (%) (maximum motor output = 100%) is imposed on the spindle motor lasts for a specified period (set in No. 4123) or more, the short-time overload alarm (spindle alarm 29) is issued.

15i 16i 30i
3123 4123 4123

Short-time overload detection period

Unit of data : 1sec
Valid data range : 0 to 500
Standard setting value : 30

This parameter sets the timing for detecting the short-time overload alarm (spindle alarm 29).

If the state where a load equal to or greater than the specified value (set in parameter No. 4090) is imposed on the spindle motor lasts for at least the period specified in this parameter, the short-time overload alarm (spindle alarm 29) is issued.

(3) Other parameters

This item details the parameters common to all operation modes except the parameters listed in Items (1) and (2) above.

15i	16i	30i	#7	#6	#5	#4	#3	#2	#1	#0
3001	4001	4001								MRDY1

MRDY1 Whether to use the MRDYA signal (machine ready signal)
 0 : Does not uses the MRDYA signal (MRDYA = 1 at all times).
 1 : Uses the MRDYA signal.

15i	16i	30i	#7	#6	#5	#4	#3	#2	#1	#0
3002	4002	4002				SMORLM				

SMORLM SM pin output data selection
 0 : Speedometer data
 1 : Load meter data

15i	16i	30i	#7	#6	#5	#4	#3	#2	#1	#0
3005	4005	4005								VCTLPC

VCTLPC Sets the velocity feedback method.
 0 : Exercises velocity control with an estimated velocity only.
 1 : Uses a velocity calculated from the position coder signal to exercise velocity control.

The feedback signal from a position coder attached to a spindle on a 1:1 basis is converted to motor speed data for velocity control. Set this bit to 1 when performing orientation, rigid tapping, or spindle synchronous control.

By setting this bit to 1 even in ordinary velocity control, the response characteristics and stability of velocity control can be improved.

NOTE

- 1 The feature may not be fully utilized, depending on the connection ratio between the spindle and spindle motor or between the spindle and position coder, the rigidity of the connection, the precision of position coder attachment, and so forth.
- 2 When this bit is set to 1 with a spindle that has a gear switch mechanism, the torque limitation command signal (TLMLA) must be input at the start of gear switching. For details, see Chapter 3, "I/O SIGNALS (CNC \leftrightarrow PMC)", in Part III.

15i	16i	30i	#7	#6	#5	#4	#3	#2	#1	#0
3006	4006	4006						SPDUNT	GRUNIT	

GRUNIT Sets a gear ratio setting resolution:

0 : 1/100 unit

1 : 1/1000 unit

Select a gear ratio data setting resolution from the following:

(a) Resolution based on motor speed increased by a factor of 100 relative to one spindle rotation

(b) Resolution based on motor speed increased by a factor of 1000 relative to one spindle rotation

Depending on the setting of this parameter, the increment system of the parameters indicated in the table below changes.

Parameter No.			Description
15i	16i	30i	
3056 to 3059	4056 to 4059	4056 to 4059	Spindle-to-motor gear ratio data

NOTE

Usually, use the 1/100 unit (setting "0").

SPDUNT Sets the unit of speed.
Set to 0.

15i	16i	30i	#7	#6	#5	#4	#3	#2	#1	#0
3009	4009	4009				LDTOUT				

LDTOUT Whether to output the load detection signal (LDT1A) during acceleration/deceleration

0 : Does not output the load detection signals during acceleration/deceleration (standard setting value).

1 : Outputs the load detection signals during acceleration/deceleration (at all times) when the parameter-set level is exceeded.

15i	16i	30i	#7	#6	#5	#4	#3	#2	#1	#0
3019	4019	4019	PRLOAD					SSTTRQ		

SSTTRQ Whether to perform torque clamping when the speed is zero
0 : Performs clamping.
1 : Does not perform clamping.

NOTE

Usually, set this parameter to 1 not to perform clamping.

- PRLOAD** Automatic parameter setting function
- 0 : Does not perform automatic parameter setting (standard setting value).
- 1 : Performs automatic parameter setting.
- After setting a desired motor model code in parameter No. 4133 and setting this bit to 1, turn off the power to the CNC, then turn on the power to the CNC again. The parameters (No. 4000 to No. 4175) for the α Ci series spindle corresponding to the model code are automatically initialized. Upon completion of automatic setting, this bit is automatically set to 0.

NOTE

With FS15i, the parameter address of this function is different, namely, bit 0 of No. 5607 is used.

Moreover, note that the meanings of settings are reversed as follows.

0: Performs automatic parameter setting.

1: Does not perform automatic parameter setting.

In this case, set a model code in parameter No. 3133.

15i 16i 30i
3020 4020 4020

Maximum motor speed

- Unit of data : 1min^{-1}
- Valid data range : 0 to 32767
- Standard setting value : Depends on the motor model.
This parameter sets a maximum spindle motor speed.

15i 16i 30i
3022 4022 4022

Speed arrival detection signal

- Unit of data : 0.1%
- Valid data range : 0 to 1000
- Standard setting value : 150
- This parameter sets a speed arrival signal (SARA) detection range. When the motor speed (estimated value) reaches within $\pm(\text{setting data}/10)\%$ of a specified speed, the speed arrival signal (SARA) is set to 1.

15i 16i 30i
3023 4023 4023

Speed detection level

- Unit of data : 0.1%
- Valid data range : 0 to 1000
- Standard setting value : 30
- This parameter sets a speed detection signal (SDTA) detection range. When the motor speed (estimated value) is (setting data/10)% of a maximum speed or less, the speed detection signal (SDTA) is set to 1.

15i 16i 30i
3024 4024 4024

Speed zero detection level

Unit of data : 0.01%
Valid data range : 0 to 10000
Standard setting value : 75

This parameter sets a speed zero detection signal (SSTA) detection range.

When the motor speed (estimated value) is (setting data/100)% of a maximum speed or less, the speed zero detection signal (SSTA) is set to 1.

15i 16i 30i
3025 4025 4025

Torque limitation value.

Unit of data : 1%
Valid data range : 0 to 100
Standard setting value : 50

This parameter sets a torque limitation value to be applied when the torque limitation command HIGH (TLMHA) is specified.

The data indicates limitation values when the maximum torque is 100%.

Torque limitation command HIGH (TLMHA)	Description
0	No torque limitation is imposed.
1	The torque is limited to the value set in this parameter.

15i 16i 30i
3026 4026 4026

Load detection level 1

Unit of data : 1%
Valid data range : 0 to 100
Standard setting value : 83

This parameter sets a load detection signal 1 (LDT1A) detection range.

When the output of the spindle motor is (setting data)% of the maximum output or more, load detection signal 1 (LDT1A) is set to 1.

15i 16i 30i
 3056 4056 4056
 3057 4057 4057
 3058 4058 4058
 3059 4059 4059

Gear ratio (HIGH)	CTH1A=0, CTH2A=0
Gear ratio (MEDIUM HIGH)	CTH1A=0, CTH2A=1
Gear ratio (MEDIUM LOW)	CTH1A=1, CTH2A=0
Gear ratio (LOW)	CTH1A=1, CTH2A=1

Unit of data : (Motor rotation for one rotation of spindle) / 100

(When parameter No. 4006 #1 (GRUNIT) is 1, motor rotation / 1000)

Valid data range : 0 to 32767

Standard setting value : 100

These data are used to set the gear ratio between spindle and spindle motor.

Example :

When the spindle rotates once, set “250” as the data when the motor rotates 2.5 times.

NOTE

- 1 A parameter is selected by the input signals CTH1A and CTH2A. Ensure that the gear or clutch state corresponds to the input signals CTH1A and CTH2A. When the signals are not input correctly, the overcurrent alarm (spindle alarm 12) can be issued.
- 2 When using a position coder, be sure to set this parameter. If this parameter is not set correctly, the velocity error excess alarm (spindle alarm 02), motor binding alarm (spindle alarm 31), or gear ratio parameter setting error alarm (spindle alarm 35) may be detected.
- 3 When an improper value is set in this parameter, an unexpected operation can occur. For example, the spindle can continue rotating without stopping at the time of orientation. So, be sure to set a proper gear ratio.

15i 16i 30i
 3078 4078 4078

Gear switch timer

Unit of data : 1sec

Valid data range : 0 to 500

Standard setting value : 0

For a spindle that has a gear switch mechanism, this parameter sets a period of time from the start of a gear switch sequence (input of the TLML signal) until the gear shifter is actually started. For details, see Chapter 3, “I/O SIGNALS (CNC↔PMC)”, in Part III.

For a spindle that has no gear switch mechanism, set this parameter to 0.

15i 16i 30i
3095 4095 4095

Speedometer output voltage adjustment value
--

Unit of data : 0.1%
Valid data range : -1000 to +100(-100% to +10%)
Standard setting value : 0

Set this parameter when making a fine adjustment of speedometer terminal output voltage.

Positive (+) data increases the output voltage.

NOTE

Usually, this parameter need not be adjusted.

15i 16i 30i
3121 4121 4121

Torque command filter time constant
--

Unit of data : 0.5msec
Valid data range : 0 to 32767
Standard setting value : 5

Basically, use the standard setting value 5 (time constant of 2.5 ms).

2.5.5 Diagnosis (Diagnosis Screen)

For this subsection, see Subsection 2.6.5, "Diagnosis (Diagnosis Screen)", in Part I.

3

I/O SIGNALS (CNC \leftrightarrow PMC)

This chapter explains the functions of the signals directly input from the PMC to SPMC via the CNC and the signals directly output from the SPMC to PMC. For other spindle-related I/O signals, refer to the Connection Manual (Function) of the relevant CNC.

- (a) For Series 16*i*/18*i*/21*i*
“FANUC Series 16*i*/18*i*/21*i*-MODEL B
CONNECTION MANUAL (FUNCTION) : B-63523EN-1
Refer to Chapter 9 “SPINDLE SPEED FUNCTION.”
- (b) For Series 30*i*/31*i*/32*i*
“FANUC Series 30*i*/31*i*/32*i*-MODEL A
CONNECTION MANUAL (FUNCTION) : B-63943EN-1
Refer to Section 11.3 “SPINDLE SPEED CONTROL.”
- (c) For Series 15*i*
“FANUC Series 15*i*-MODEL B
CONNECTION MANUAL (FUNCTION) : B-63783EN-1
Refer to Section 9.7 “SPINDLE SPEED FUNCTION.”
- (d) For Series 0*i*
“FANUC Series 0*i*-MODEL B
CONNECTION MANUAL (FUNCTION) : B-63833EN-1
Refer to Chapter 9 “SPINDLE SPEED FUNCTION.”

3.1 INPUT SIGNALS (PMC→CNC→SPMC)

This section explains the functions of the signals directly input from the PMC to SPMC via the CNC. For other spindle-related input signals, refer to the Connection Manual (Function) of the relevant CNC.

- (a) For Series 16i/18i/21i
“FANUC Series 16i/18i/21i-MODEL B
CONNECTION MANUAL (FUNCTION) : B-63523EN-1
Refer to Chapter 9 “SPINDLE SPEED FUNCTION.”
- (b) For Series 30i/31i/32i
“FANUC Series 30i/31i/32i-MODEL A
CONNECTION MANUAL (FUNCTION) : B-63943EN-1
Refer to Chapter 11 “SPINDLE SPEED FUNCTION.”
- (c) For Series 15i
“FANUC Series 15i-MODEL B
CONNECTION MANUAL (FUNCTION) : B-63783EN-1
Refer to Section 9.7 “SPINDLE SPEED FUNCTION.”
- (d) For Series 0i
“FANUC Series 0i-MODEL B
CONNECTION MANUAL (FUNCTION) : B-63833EN-1
Refer to Chapter 9 “SPINDLE SPEED FUNCTION.”

3.1.1 List of Input Signals

	15i	16i	30i	#7	#6	#5	#4	#3	#2	#1	#0
1st-	G227	G070	G070	MRDYA	ORCMA	SFRA	SRVA	CTH1A	CTH2A	TMHA	TLMLA
2nd-	G235	G074	G074	MRDYB	ORCMB	SFRB	SRVB	CTH1B	CTH2B	TLMHB	TLMLB
1st-	G226	G071	G071			INTGA				*ESPA	ARSTA
2nd-	G234	G075	G075			INTGB				*ESPB	ARSTB
1st-	G229	G072	G072			INCMDA	OVRA		NRROA	ROTAA	INDXA
2nd-	G237	G076	G076			INCMDB	OVRB		NRROB	ROTAB	INDXB
1st-	G228	G073	G073						MPOFA		
2nd-	G236	G077	G077						MPOFB		

3.1.2 Explanation of Input Signals

For information about the signals listed in Subsection 3.1.1, “List of Input Signals”, in Part III, see Subsection 3.1.2, “Explanation of Input Signals”, in Part I.

Those signals that are not listed in Subsection 3.1.1, “List of Input Signals”, in Part III are not used with the α Ci series spindle.

This subsection describes only those signals that have different specifications for use with the α Ci spindle.

Symbol	Name	Description
TLMLA, TLMLB	Torque limitation command LOW	Switches to a speed control method that uses speed estimation during gear switching. 0: - 1: Performs speed control using only speed estimation. (However, there is the delay set by the gear switching timer [No.4078].)

3.1.3 Details of Input Signals

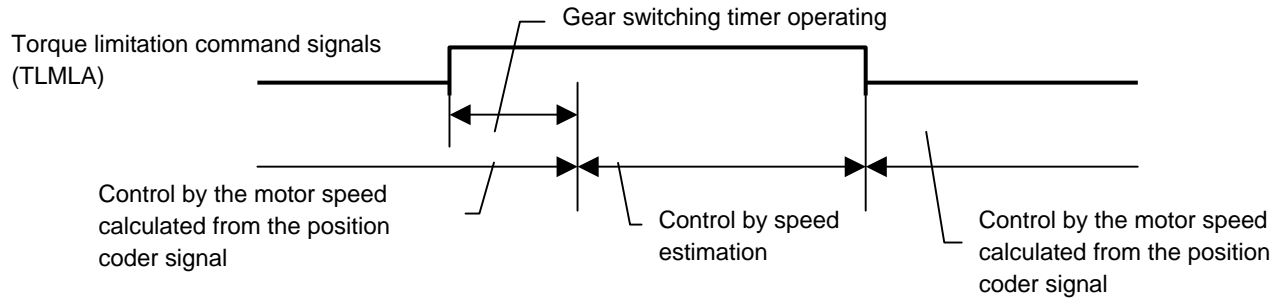
For information about the signals listed in Subsection 3.1.1, “List of Input Signals”, in Part III, see Subsection 3.1.3, “Details of input signals”, in Part I.

Those signals that are not listed in Subsection 3.1.1, “List of Input Signals”, in Part III are not used with the α Ci series spindle.

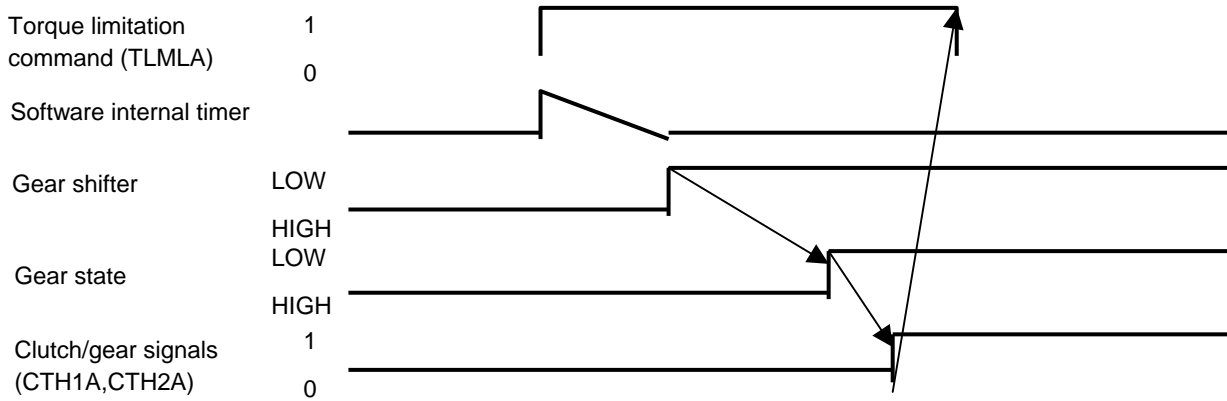
This subsection describes only those signals that have different specifications for use with the α Ci spindle.

(a) Torque limitation command signals (TLMLA)

If gear switching is performed with the setting (No.4005#0=“1”) that uses motor speed calculated from the position coder signal to perform speed control, the state of machine gear may not match the state of the gear ratio parameter. This can cause an alarm to occur due to speed control using incorrect speed data. Therefore, switch to a control method that uses the speed estimation during gear switching by inputting the torque limitation command signal (TLMLA) upon start of gear switching so that gear switching is performed smoothly. In addition, set the time from when a gear switching sequence starts to when the gear shifter actually operates for parameter No.4078 (gear switching timer). (See below.)



(Example of a recommended sequence)



3.2 OUTPUT SIGNALS (SPMC \rightarrow CNC \rightarrow PMC)

This section explains the functions of the signals directly output from the SPMC to PMC via the CNC. For other spindle-related output signals, refer to the Connection Manual (Function) of the relevant CNC.

- (a) For Series 16i/18i/21i
“FANUC Series 16i/18i/21i-MODEL B
CONNECTION MANUAL (FUNCTION) : B-63523EN-1
Refer to Chapter 9 “SPINDLE SPEED FUNCTION.”
- (b) For Series 30i/31i/32i
“FANUC Series 30i/31i/32i-MODEL A
CONNECTION MANUAL (FUNCTION) : B-63943EN-1
Refer to Section 11.3 “SPINDLE SPEED CONTROL.”
- (c) For Series 15i
“FANUC Series 15i-MODEL B
CONNECTION MANUAL (FUNCTION) : B-63783EN-1
Refer to Section 9.7 “SPINDLE SPEED FUNCTION.”
- (d) For Series 0i
“FANUC Series 0i-MODEL B
CONNECTION MANUAL (FUNCTION) : B-63833EN-1
Refer to Chapter 9 “SPINDLE SPEED FUNCTION.”

3.2.1 List of Output Signals

	15i	16i	30i	#7	#6	#5	#4	#3	#2	#1	#0
1st-	F229	F045	F045	ORARA	TLMA		LDT1A	SARA	SDTA	SSTA	ALMA
2nd-	F245	F049	F049	ORARB	TLMB		LDT1B	SARB	SDTB	SSTB	ALMB
1st-	F231	F047	F047							INCSTA	PC1DTA
2nd-	F247	F051	F051							INCSTB	PC1DTB

3.2.2 Explanation of Output Signals

For information about the signals listed in Subsection 3.2.1, “List of Output Signals”, in Part III, see Subsection 3.2.2, “Explanation of Output Signals”, in Part I.

Those signals that are not listed in Subsection 3.2.1, “List of Output Signals”, in Part II are not used with the α Ci series spindle.

3.2.3 Details of Output Signals

For information about the signals listed in Subsection 3.2.1, “List of Output Signals”, in Part III, see Subsection 3.2.3, “Details of Output Signals”, in Part I.

Those signals that are not listed in Subsection 3.2.1, “List of Output Signals”, in Part III are not used with the α Ci series spindle.

4

ADJUSTMENT

4.1 VELOCITY LOOP GAIN ADJUSTMENT

4.1.1 Overview

Optimum adjustment of the velocity loop gain increases the position loop gain, therefore significantly enhancing disturbance suppression performance, positioning speed and accuracy. So, the adjustment of the velocity loop gain is very important in servo adjustments, and it should be performed first. This section explains the parameters for velocity loop gain adjustment and the adjustment procedure.

To check the waveform of a torque command, position error, or so on, use the spindle check board and an oscilloscope, or the servo guide (see Appendix F).

4.1.2 Parameters

There are four operation modes in spindle control: velocity control mode, orientation, servo mode (rigid tapping and spindle positioning), and spindle synchronous control. There are parameters corresponding to each operation mode and to the clutch/gear signals (CTH1A and CTH2A). The following shows the parameters for each operation mode.

(1) Velocity control mode

15i	16i	30i
3040	4040	4040
3041	4041	4041

Velocity loop proportional gain on velocity control mode (HIGH)	CTH1A=0
Velocity loop proportional gain on velocity control mode (LOW)	CTH1A=1

Unit of data :
 Valid data range : 0 to 32767
 Standard setting value : Depends on the motor model.

15i	16i	30i
3048	4048	4048
3049	4049	4049

Velocity loop integral gain on velocity control mode (HIGH)	CTH1A=0
Velocity loop integral gain on velocity control mode (LOW)	CTH1A=1

Unit of data :
 Valid data range : 0 to 32767
 Standard setting value : Depends on the motor model.

(2) Orientation

15i 16i 30i
 3042 4042 4042
 3043 4043 4043

Velocity loop proportional gain on orientation (HIGH)	CTH1A=0
Velocity loop proportional gain on orientation (LOW)	CTH1A=1

Unit of data :
 Valid data range : 0 to 32767
 Standard setting value : Depends on the motor model.

15i 16i 30i
 3050 4050 4050
 3051 4051 4051

Velocity loop integral gain on orientation (HIGH)	CTH1A=0
Velocity loop integral gain on orientation (LOW)	CTH1A=1

Unit of data :
 Valid data range : 0 to 32767
 Standard setting value : Depends on the motor model.

(3) Servo mode (Rigid tapping and spindle positioning)

15i 16i 30i
 3044 4044 4044
 3045 4045 4045

Velocity loop proportional gain on servo mode (HIGH)	CTH1A=0
Velocity loop proportional gain on servo mode (LOW)	CTH1A=1

Unit of data :
 Valid data range : 0 to 32767
 Standard setting value : Depends on the motor model.

15i 16i 30i
 3052 4052 4052
 3053 4053 4053

Velocity loop integral gain on servo mode (HIGH)	CTH1A=0
Velocity loop integral gain on servo mode (LOW)	CTH1A=1

Unit of data :
 Valid data range : 0 to 32767
 Standard setting value : Depends on the motor model.

(4) Spindle synchronous control

15i 16i 30i
 - 4044 4044
 - 4045 4045

Velocity loop proportional gain on spindle synchronous control (HIGH)	CTH1A=0
--	----------------

Velocity loop proportional gain on spindle synchronous control (LOW)	CTH1A=1
---	----------------

Unit of data :
 Valid data range : 0 to 32767
 Standard setting value : Depends on the motor model.

15i 16i 30i
 - 4052 4052
 - 4053 4053

Velocity loop integral gain on spindle synchronous control (HIGH)	CTH1A=0
--	----------------

Velocity loop integral gain on spindle synchronous control (LOW)	CTH1A=1
---	----------------

Unit of data :
 Valid data range : 0 to 32767
 Standard setting value : Depends on the motor model.

NOTE

For the velocity loop gain on spindle synchronous control and on the servo mode, common parameters are used.

4.1.3 Adjustment Procedure

(1) Start of each operation mode

In preparation for the adjustment, settings must be made so that a stable operation takes place in each mode without overshoot or oscillation.

See Chapter 2, "EXPLANATION OF OPERATION MODES", temporarily set parameters (acceleration/deceleration time constant, position gain, and so on) to make operations stable in each operation mode, and confirm operations.

NOTE

When the rigidity of the spindle is low, the standard setting of the velocity loop gain may be so high that oscillation can occur. In such a case, decrease the velocity loop gain.

(2) Adjustment

When adjusting the velocity loop gain, check the operation mode and clutch/gear signal, and modify corresponding parameters. Follow the steps below to adjust the parameters:

<1> Determining the oscillation limit

Basically, determine the oscillation limit based on torque commands, position errors, vibration, sound, and so on when the motor is stopped (for orientation, after completion of the operation) or when the motor rotates at a certain speed not higher than the base speed. Usually, increase the settings of the proportional gain and integral gain in steps of about 10. As the settings are increased gradually, the symptoms below start to appear at a certain setting level. The settings at this level are determined to be the oscillation limit:

- The machine vibrates or produces large sound.
- Vibration of a torque command becomes large.
- Position errors at stop time vary largely.

NOTE

The oscillation limit varies with the spindle inertia. In a machine in which the inertia varies largely according to the tool and workpiece used, adjustment must be made in the smallest inertia state.

<2> Final settings

Set proportional gain of approximately 70% of the oscillation limit. Make an adjustment to set an integral gain that is about four to ten times greater than the proportional gain.

4.1.4 Additional Information (Position Gain Adjustment)

Although the limit value of the position gain is determined basically depending on the velocity loop characteristics, the setting standards may vary depending on the operation mode. See Chapter 2, "EXPLANATION OF OPERATION MODES", and make adjustments accordingly.

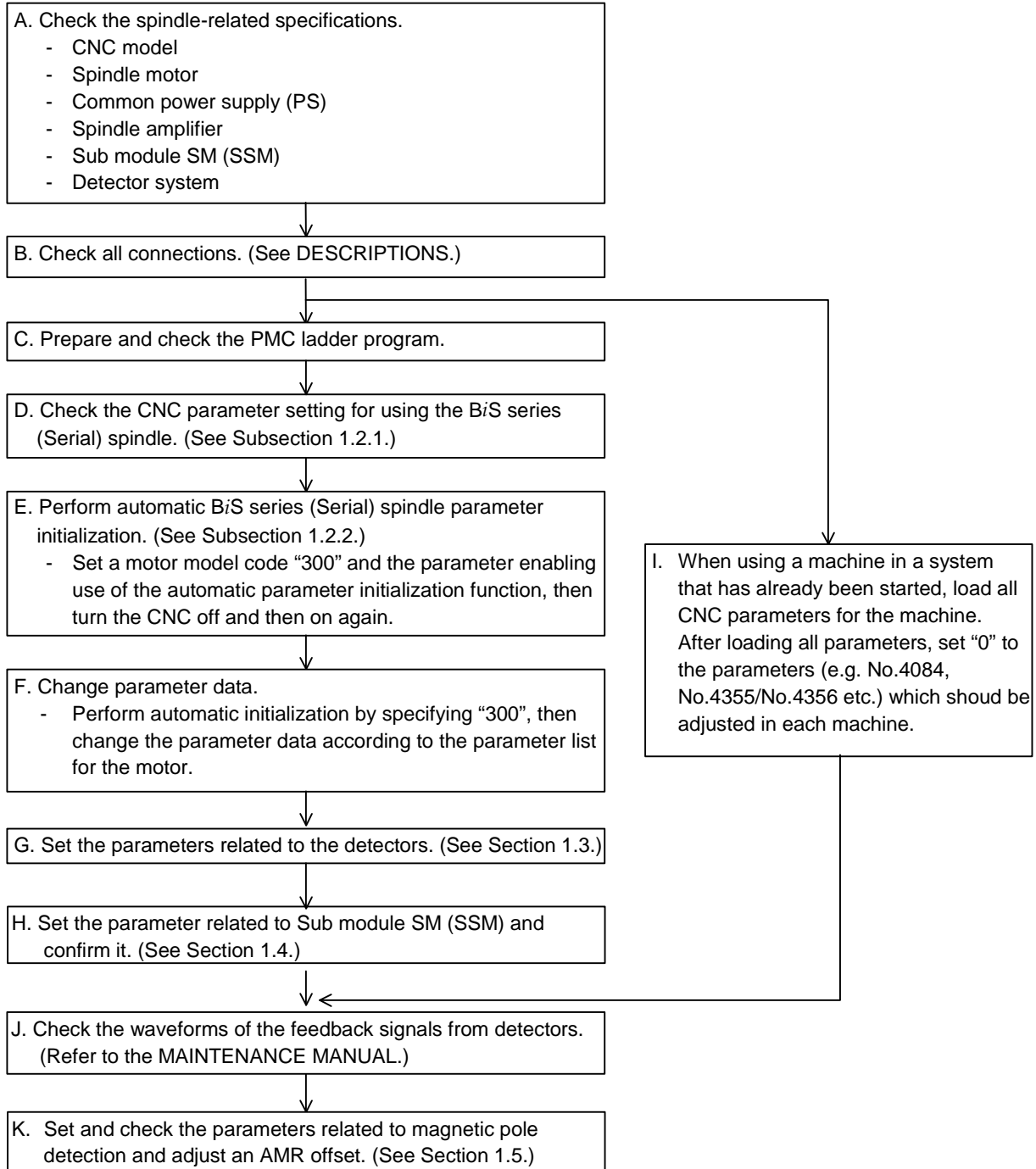
IV. FANUC BUILT-IN SPINDLE MOTOR

***BiS* series**

1

START-UP

1.1 START-UP PROCEDURE



1.2 SPINDLE SERIAL INTERFACE (OPTIONAL FUNCTION)

1.2.1 Parameters Related to Spindle Serial Output

For this subsection, see Subsection 1.2.1, “Parameters Related to Spindle Serial Output”, in Part I.

1.2.2 Automatic Spindle Parameter Initialization

(1) Parameter list

Parameter No.			Description
15i	16i	30i	
5607#0	4019#7	4019#7	Function for automatically initializing spindle parameters
3133	4133	4133	Spindle motor model code

(2) Procedure for automatic spindle parameter initialization

Perform spindle parameter initialization by following the procedure below.

<1> Set model code “300”.

Parameter No.			Description
15i	16i	30i	
3133	4133	4133	Model code

<2> Set the relevant parameter to enable automatic spindle parameter initialization.

Parameter No.			Description
15i	16i	30i	
—	4019#7	4019#7	1
5607#0	—	—	0

NOTE

This bit is reset to its original value after automatic parameter initialization.

<3> Turn off then turn on again the power to the CNC. The spindle parameter data common to each model is automatically initialized.

<4> Input parameters manually according to the model-by-model parameter list.

<5> Set detector-related parameters according to the detector configuration.

1.2.3 Diagnosis (Diagnosis Screen)

For this subsection, see Subsection 1.2.3, “Diagnosis (Diagnosis Screen)”, in Part I.

1.2.4 Alarm

For this subsection, see Subsection 1.2.4, “Alarm”, in Part I.

1.3 PARAMETERS RELATED TO DETECTORS

NOTE

- 1 Note that the specifications of parameters related to detectors for the αi series spindle amplifiers differ from those of parameters for the α series spindle amplifiers.
- 2 The sensor used with the BiS series spindle is an αi BZ sensor or αi CZ sensor (analog or serial). When using the αi CZ sensor (serial), however, use spindle software 9D80 series H (08) edition or later.

1.3.1 List of Parameters for Detectors

For this subsection, see Subsection 1.3.1, “List of Parameters for Detectors”, in Part I.

1.3.2 Details of Parameters for Detectors

For this subsection, see Subsection 1.3.2, “Details of Parameters for Detectors”, in Part I.

1.3.3 Series and Editions of Applicable Spindle Software

- When the αi BZ sensor or αi CZ (analog) sensor is used
 - 9D53 series A (01) edition or later
 - 9D70 series A (01) edition or later
 - 9D80 series B (02) edition or later
- When the αi CZ (serial) sensor is used
 - 9D80 series H (08) edition or later

1.3.4 Typical Detector Configurations

This subsection describes the detector configuration of the BiS series spindle and the parameter setting procedure applicable to the detector configuration.

With the BiS series spindle, the detector circuitry hardware is set according to the parameter setting. For this reason, an alarm such as a disconnection alarm may be output while parameters related to detectors are being set.

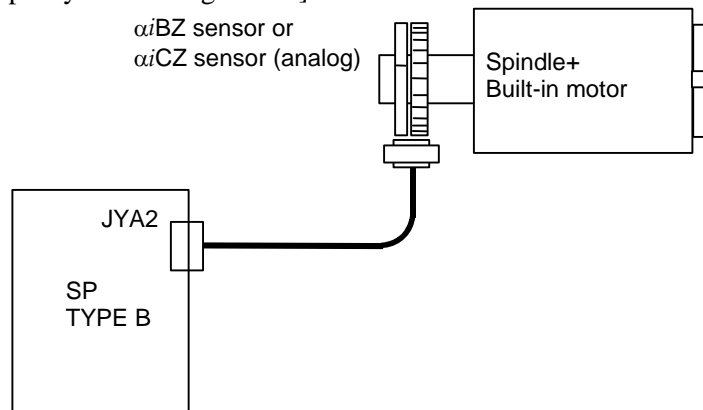
To initialize the hardware, after setting the parameters related to detectors, turn the power to the amplifier off once.

NOTE

In the sample system configurations below, spindle amplifier (SP) TYPE B is used, assuming that the sub module SM is connected.

(1) When the α iBZ or α iCZ sensor (analog) is used

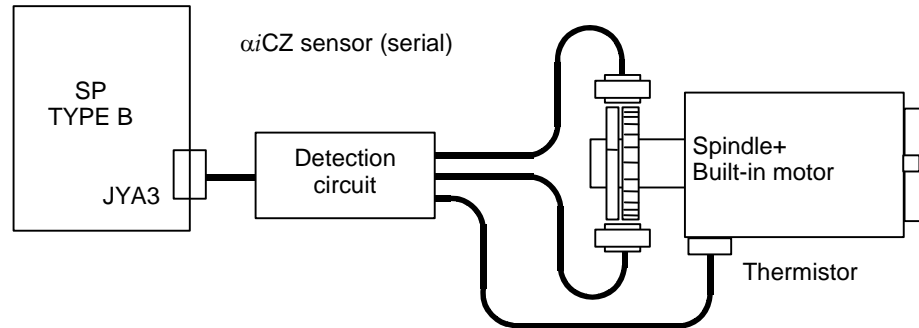
[Sample system configuration]



Parameter	Settings	Description
4000 #0	0	Rotation directions of the spindle and motor
4002 #3,#2,#1,#0	0,0,0,1	Uses the motor sensor for position feedback.
4010 #2,#1,#0	0,0,1	Uses the α iBZ or α iCZ sensor (analog) as the motor sensor.
4011 #2,#1,#0	Depends on the detector.	Sets the number of motor sensor gear teeth.
4056 to 4059	100 or 1000	Gear ratio between the spindle and motor 1 : 1

(2) When the α iCZ sensor (serial) is used

[Sample system configuration]



Parameter	Settings	Description
4000 #0	0	Rotation directions of the spindle and motor
4002 #3,2,1,0	0,0,0,1	Uses the motor sensor for position feedback.
4010 #2,1,0	0,1,1	Uses the α iCZ sensor (serial) as the motor sensor.
4011 #2,1,0	Depends on the detector.	Sets the number of motor sensor gear teeth.
4056~4059	100 or 1000	Gear ratio between the spindle and motor 1 : 1

1.4 SUB MODULE SM

1.4.1 Overview

The sub module SM (SSM) protects the amplifier and motor against an overvoltage caused by the motor counter electromotive voltage of the BiS series spindle (synchronous built-in spindle motor), for example, when a spindle alarm is issued.

 **CAUTION**

- 1 This section provides information important to safe use of the BiS series spindle (synchronous built-in spindle motor). Be sure to read this section.
- 2 To use the BiS series spindle motor safely, be sure to connect the SSM.
- 3 Specify the parameter related to the SSM (bit 5 of parameter No. 4008 to 1) and confirm that the SSM operates securely (see Subsection 1.4.7).

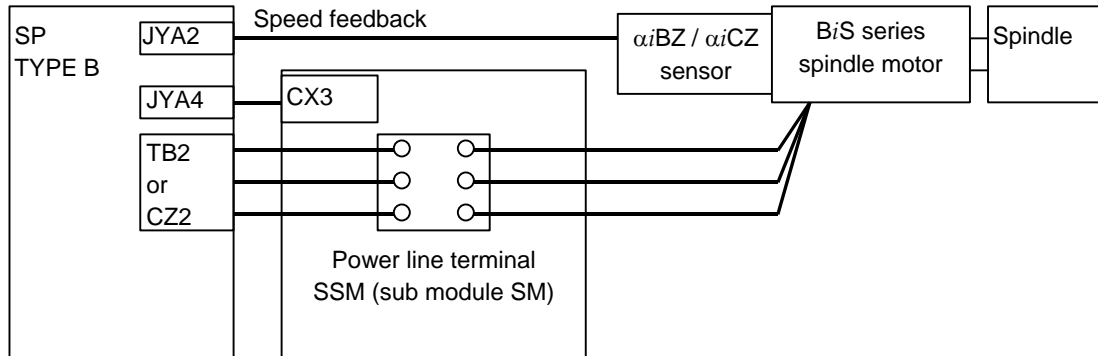
1.4.2 Series and Editions of Applicable Spindle Software

9D53 series B (02) edition or later
9D70 series A (01) edition or later
9D80 series B (02) edition or later

1.4.3 Configuration

The following figure shows the connection of the sub module SM.

For the specifications of the sub module SM and connection details, refer to “FANUC SERVO AMPLIFIER α i series DESCRIPTIONS (B-65282EN)”.



NOTE
To use the sub module SM, spindle amplifier (SP) TYPE B is required.

1.4.4 Related Parameters

CAUTION
This subsection describes the parameters related to the sub module SM (SSM).
To use the SSM safely, specify the following parameter related to the SSM and confirm that the SSM operates securely (see Subsection 1.4.7).

15i	16i	30i	#7	#6	#5	#4	#3	#2	#1	#0
3008	4008	4008			SSMUSE					

SSMUSE This parameter sets whether to use the sub module SM (SSM).
 0 : Does not use the sub module SM.
 1 : Uses the sub module SM.
 To use the synchronous built-in spindle motor safely, connect the SSM securely and set this bit to "1".

1.4.5 Stop Processing When a Sub Module SM Error Occurs

⚠ CAUTION

- 1 This subsection describes stop processing to be performed when a sub module SM (SSM) error occurs.
- 2 If an SSM error occurs, the function for protecting the amplifier against a spindle alarm does not operate normally. Ensure that when an SSM error occurs, the motor is stopped according to the descriptions of this subsection.

(a) Output signals (CNC→PMC)

	15i	16i	30i	#7	#6	#5	#4	#3	#2	#1	#0
1st-	F230	F048	F048					SSMBRKA			
2nd-	F246	F052	F052					SSMBRKB			

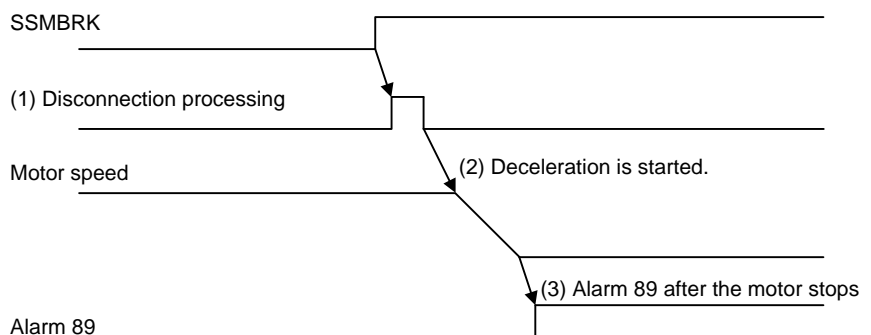
Symbol	Name	Description
SSMBRKA, SSMBRKB	Sub module SM (SSM) error state signal	Output when a sub module SM (SSM) error is detected. 0: Normal state 1: The sub module SM (SSM) is abnormal.

(b) Stop processing

When an SSM error is detected, the SSM error signal SSMBRK is set to 1, and the spindle amplifier (SP) has state error 36 turned on. At this time, decelerate and stop the motor safely by following the procedure below:

- (1) Disconnect the spindle for which the SSM error occurs mechanically from other axes. This operation is to prevent the deceleration of the spindle motor from having a mechanical impact on the spindles.
- (2) Then, decelerate and stop the target spindle.
- (3) When the motor is decelerated and the speed becomes zero (SST = 1), spindle alarm 89 is issued.

(Timing chart)



1.4.6 Alarm and Status Error

(a) Spindle alarm

Alarm No.			LED display	Description	Measure
15i	16i	30i	Spindle amplifier		
SP0089	9089	SP9089	89	<p>The SSM is abnormal.</p> <p>(1) The spindle amplifier (SP) does not support the SSM.</p> <p>(2) No SSM is installed or connected.</p> <p>(3) The interface signal between the spindle amplifier (SP) and SSM is disconnected.</p> <p>(4) The SSM is faulty.</p>	<p>Alarm 89 cannot be reset.</p> <p>Turn the power off, then check whether the SP supports the SSM and whether the SSM and SP are connected properly.</p> <p>If the SSM is faulty, replace the SSM.</p>

(b) Status error

Status error No.	Description	Measure
36	<p>The SSM is abnormal.</p> <p>(1) The interface signal between the spindle amplifier (SP) and SSM is disconnected.</p> <p>(2) The SSM is faulty.</p>	<p>For PMC processing to be performed when error 36 is issued, see Subsection 1.4.5, "Stop Processing When a Sub Module SM Error Occurs", in Part IV.</p>

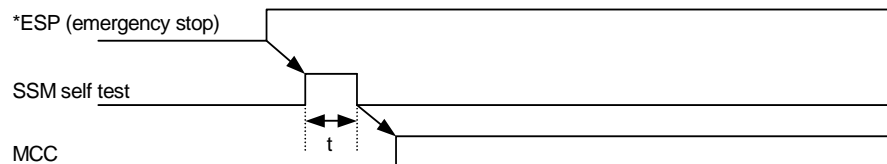
1.4.7 Caution



CAUTION

This subsection provides notes on using the BiS series spindle safely. Fully understand the instructions described in this subsection before using the BiS series spindle.

- (1) To check that the SSM operates normally, conduct an SSM self test at least once a day. An SSM self test is conducted on the rising edge of the emergency stop signal *ESP. The execution time (corresponding to “t” in the figure below) of the self test is about 450 msec (with 9D53 series H (08) edition or later, 9D70 series G (07) edition or later, and 9D80 series B (02) edition or later; about 250 msec with any edition earlier than the above).



MCC: The MCC is connected between the power supply and common power supply (PS), and the MCC switch signal line is connected to the CX3 of the common power supply (PS). The MCC is turned on/off by the emergency stop signal *ESP (G071#1).

- (2) By conducting the test described below at least once after SSM installation, check that the SSM self test function operates normally. If this test is not conducted, the function for protecting the SSM amplifier and motor can be lost, resulting in damage to the amplifier or motor, for example, when a power failure occurs.
 - Step 1. Turn off the power to the machine.
 - Step 2. To prevent the power to the motor from being turned on during testing, detach the CX3 connector on the common power supply (PS) connected to the SSM and also detach the CX31 connector on the sub module SM.
 - Step 3. Turn on the power to the machine.
 - Step 4. After the CNC starts up and the indication of “--” on the spindle amplifier (SP) is turned on, set the emergency stop signal (*ESP) to 1.
 - Step 5. The self test function is operating normally if spindle alarm 89 is issued at emergency stop cancellation time. If the alarm is not issued, the cable, parameter, or spindle amplifier (SP) is abnormal.
 - Step 6. Turn off the power to the machine. Be sure to reinstall the CX3 and CX31 connectors.
- (3) If a spindle alarm is issued and the spindle amplifier (SP) detects the input of the motor power turn-off signal (MPOF), the SSM is activated and the motor is decelerated to a stop. This deceleration differs from ordinary deceleration in that it is dynamic brake

operation caused by short-circuits between motor pins by the SSM, however. If the SSM is faulty at this time, the spindle amplifier (SP) can be damaged.

- (4) After the SSM is activated, the spindle amplifier (SP) ignores any alarm reset unless the speed zero state (speed zero signal SST = 1) continues for at least 5 sec (with 9D53 series G (07) edition or later, 9D70 series F (06) edition or later, or 9D80 series B (02) edition or later; for at least 120 sec with any edition earlier than the above). For resetting of the alarm, the speed zero state (SST = 1) needs to be set.
- (5) After the SSM is activated, the SP ignores any alarm reset during the period described in item (4). When the SSM is active, reset the alarm after the period has elapsed. If the alarm is reset in the state where a command is input, the motor can abruptly start rotation. So, specify such a sequence that all commands are cleared when an alarm is issued or MPOF is input, and the cleared commands are specified again upon completion of alarm resetting.
- (6) If the motor power turn-off signal MPOF is input, the SSM is activated. So, a deceleration to a stop (dynamic brake operation, which differs from ordinary deceleration) occurs instead of a free-run stop.
- (7) When the SSM is faulty, inputting the motor power turn-off signal MPOF may damage the spindle amplifier (SP). So, ensure that MPOF is not input in a high-speed area where the SSM is needed.
- (8) Do not insert a switch element such as an electromagnetic contactor in the power line between the spindle amplifier (SP) and synchronous built-in spindle motor. If the power line is broken during rotation, the amplifier or motor can be damaged.

1.5 POLE POSITION DETECTION

1.5.1 Overview

To control the synchronous built-in spindle motor, information about the pole position (phase) of the rotor is needed. Operation for detecting the pole position (phase) of the rotor is referred to as pole position detection. Immediately after the power is turned on or if pole position information is lost for a cause such as an alarm, pole position detection needs to be performed before the motor can be driven.

Three pole position detection modes are available:

- Minute moving mode (usable with 9D53 series I edition or later, 9D70 series H edition or later, and 9D80 series B edition or later)
- Auto select mode (usable with 9D53 series C edition or later, 9D70 series B edition or later, and 9D80 series B edition or later)
- DC current mode

By setting the phase difference between the pole position (phase) of the rotor and the one-rotation signal generation position beforehand in a parameter, control can be exercised using a parameter-set offset value and one-rotation signal position as reference data after one-rotation signal detection (AMR offset function).

WARNING

1. For the BiS series spindle motor, if pole position detection and other basic parameter settings are inappropriate, the correct pole position cannot be detected, and the motor may move unpredictably or the maximum motor speed may be exceeded.
2. To avoid danger due to the above symptom, performing the following action is recommended until normal spindle motor operation is confirmed:
 - <1> Specify a value smaller than or equal to 10% of the specified maximum motor speed for the maximum motor speed parameter (No. 4020 for FS30*i*, 16*i* or No. 3020 for FS15*i*).
 - <2> Specify a low torque limitation value to limit the torque (for example, specify 10% for the torque limitation parameter (No. 4025) and set torque limitation command signal TLMHA to 1) so that the motor is not accelerated suddenly.
 - <3> Be sure to close the protection door during pole position detection and subsequent command input.

If these conditions are not satisfied and the correct pole position cannot be detected, the motor may move unpredictably with the maximum torque until the SP detects an overspeed alarm.

3. Use the pole detection state signals to create the following sequence with the PMC:
 - <1> When the protection door is open, starting pole position detection is prohibited.
 - <2> If the protection door is opened during pole position detection (from the start of detection until pole position detection signal EPFIX is set to 1), pole position detection is stopped.
 - <3> In the pole position undetected state (when EPFIX is set to 0), no command is input.

1.5.2 Pole Position Detection Operation

(1) Minute moving mode (usable with 9D53 series I edition or later, 9D70 series H edition or later, and 9D80 series B edition or later)

In the minute moving mode, pole position detection is performed while the motor is moved in very small steps. When the motor is locked, pole position detection is disabled in principle (spindle alarm 65 is issued).

Usually, pole position detection in this mode is recommended.

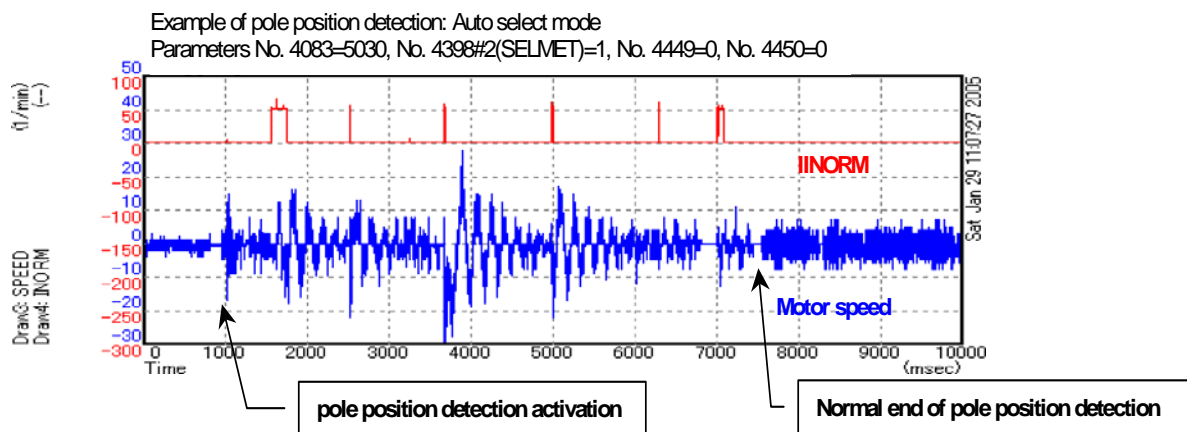
(2) Auto select mode (usable with 9D53 series C edition or later, 9D70 series B edition or later, and 9D80 series B edition or later)

In the auto select mode, pole position detection is performed in either of the following two modes that is selected automatically by the spindle amplifier (SP):

Minute moving mode : In this mode, pole position detection is performed while the motor is moved in very small steps.

Stop mode : In this mode, pole position detection is enabled even when the motor is locked.

In the auto select mode, pole position detection is started in the minute moving mode. When the motor is detected to be locked, the spindle amplifier selects the stop mode and pole position detection is performed.



NOTE

In the auto select mode, pole position detection is enabled even when the motor is locked because the stop mode can be selected. To select the stop mode, however, the following conditions must be satisfied:

- The saliency of the motor is sufficiently large. ($L_q - L_d > 1\text{mH}$)
- At about 70% of the maximum current, a magnetic saturation of 5% or more is generated (the torque constant decreases by 5% or more.)

If either of the above conditions is not satisfied, the precision of detection may be degraded or the pole position may be unable to be detected. So, confirm that operation in the stop mode can be performed normally before using the auto select mode.

When the minute moving mode or auto select mode is used, the velocity feedback may exceed the value set in parameter No. 4450 (velocity feedback threshold) due to noise and a symptom such as the following may occur: Pole position detection is not started or is not completed. In this case, follow the steps below:

- <1> First, check the noise level of the velocity feedback.
- <2> When the noise level of the velocity feedback is 5.5 min^{-1} or less, set the lower two digits (velocity feedback threshold) of parameter No. 4450 to the standard setting (0: 11 min^{-1}).
- <3> When the noise level of the velocity feedback exceeds 5.5 min^{-1} , first reduce the noise by suppressing it. If the noise cannot be reduced to the allowable level by any means, set the lower two digits (velocity feedback threshold) of parameter No. 4450 to about double the noise level.

(3) DC current mode

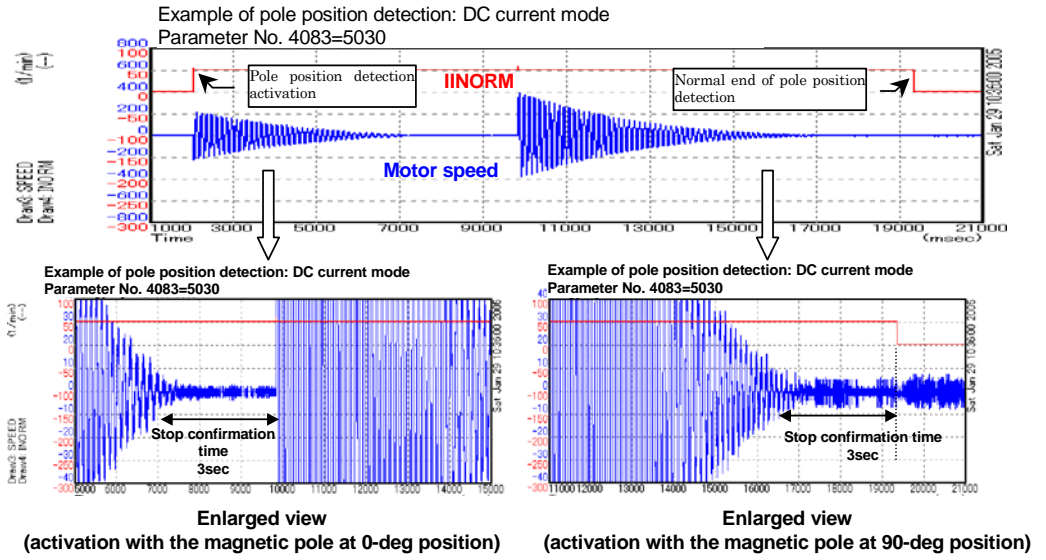
In the DC current mode, pole position detection is performed while the motor is vibrating to a large extent.

When the motor is locked, pole position detection is disabled.

Operation in the DC current mode is as follows:

- <1> A direct current is flowed in 0 deg electric angle.
- <2> Check that the motor is stopped. The motor is assumed to be stopped when a stop confirmation time (specified using the lower two digits of parameter No. 4083) has elapsed after the motor speed becomes 5 min^{-1} or below.
- <3> After checking that the motor is stopped, a direct current is flowed in 90 deg electric angle.
- <4> Check that the motor is stopped.
- <5> After checking that the motor is stopped, the spindle alarm 65 is issued if the phase difference of the rotor between the cases where direct current activation is performed at the electric angle 0 deg and at the electric angle 90 deg is not within the range 80 to 100 deg.

The maximum travel distance from the start to end of pole position detection is the electric angle 270 deg.



1.5.3 AMR Offset Function

The spindle amplifier controls the motor based on the initial pole position estimated by pole position detection. So, a large error between the estimated and true pole position may affect the motor so that the acceleration/deceleration time during forward rotation differs from that during reverse rotation (torque characteristics during forward rotation differ from those during reverse rotation) or another symptom occurs.

The AMR offset function minimizes the error between these pole positions.

Reading this subsection and using the AMR offset function are recommended.

WARNING

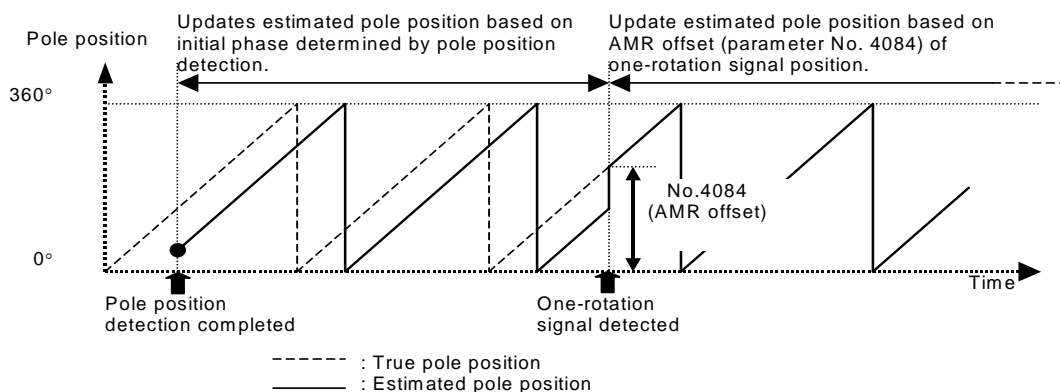
1. The AMR offset is a parameter indicating the phase relationships between the motor magnetic pole position and motor sensor. After the phase relationships are changed due to a cause such as the replacement of the motor sensor or the loading of parameters of another machine, the AMR offset must be adjusted again.
2. If an inappropriate value is set for the AMR offset parameter, after the execution of the AMR offset, the motor may not recognize the correct magnetic pole position, may move unpredictably, and may rotate at a speed higher than the specified speed.

NOTE

This function can be used with 9D53 series C (03) edition or later, 9D70 series B (02) edition or later, and 9D80 series B (02) edition or later.

(1) AMR offset function operation

When the AMR offset function is enabled, the spindle amplifier determines the estimated pole position as follows:



- <1> After the power is turned on, pole position detection is performed.
 “The precision of the estimated pole position” is “the precision of pole position detection.” So, the width of the error between the estimated and true pole positions is determined depending on the precision of pole position detection.
- <2> When a rotation command is input, the motor rotates and the estimated pole position is updated using the feedback data of the motor sensor based on the initial pole position determined in step <1>. So, the error of the initial value determined in step <1> is the error of the estimated pole position with no change.
- <3> When the AMR offset function is enabled (when bit 6 of parameter No. 4008 is 0 and the value of parameter No. 4084 is the adjustment value and is not 0), the following processing compensates the displacement of the detected pole position above.
 When the motor rotates and the one-rotation signal is detected, the estimated pole position is forcibly replaced with AMR offset data (parameter No. 4084). AMR offset processing is executed only when the one-rotation signal is detected for the first time after pole position detection.

(2) Setting of the AMR offset parameters

Set the parameters according to the procedure below.

- <1> Set bit 6 (NEGREF) of parameter No. 4008 to 0 and set parameter No. 4084 (AMR offset) to 0.
- <2> After performing pole position detection, rotate the motor at about 100 min^{-1} and check the pole position when the one-rotation signal is detected. When the one-rotation signal is detected, data changes from “0” to “the pole position when the one-rotation signal is detected.”

(*) Checking the pole position when the one-rotation signal is detected

- On the diagnosis screen :
 Set parameter No. 4532 to 2. The pole position is displayed on diagnosis screen No. 720 (1st spindle). This function may be unavailable depending on the spindle software edition. For details, see Subsection 1.5.5(2), “Parameters related to AMR offset”.
 - On the spindle check board :
 Make a setting for display. (d-01=977, d-02=0, d-03=0, d-04=0)
- <3> The checked pole position contains the detection error. Check the pole position as described in step <2> several times and find the average.
- <4> Turn motor excitation off, then set the average found in step <3> in parameter No. 4084.

WARNING

If an inappropriate value is set for the AMR offset (parameter No. 4084), after the execution of the AMR offset, the motor may move unpredictably. So, observe the following rules strictly when setting the parameter:

- Set the parameter in the emergency stop signal input state.
- Confirm that the setting is the same as the average found in step <3>.

- <5> Turn the power off, then on again and perform pole position detection. Accelerate and decelerate the motor with the forward and reverse rotation commands at about 100 min^{-1} , and check whether the motor rotates normally.
- <6> By using the SERVO GUIDE or spindle check board, measure the torque command, actual speed, and the torque command in a constant rotation when acceleration/deceleration operation is performed with the forward (SFR) and reverse (SRV) commands at the maximum speed.
- <7> Compare the torque command and actual speed during forward rotation with those during reverse rotation to check whether the AMR offset setting is appropriate. When the acceleration time, deceleration time, and torque command amplitude during forward rotation are almost the same as those during reverse rotation, the AMR offset data setting (parameter No. 4084) is appropriate.
- <8> If they are not almost the same, the AMR offset data setting (parameter No. 4084) is inappropriate. In this case, adjust the value of parameter No. 4085 (parameter for checking and fine-adjusting the AMR offset) so that they are almost the same.
- <9> After the completion of adjustment, set the following values in parameters Nos. 4084 and 4085:
 No.4084 (new) = No.4084 (old) + No.4085 (old)
 No.4085 (new) = 0

WARNING

Observe the following rules strictly when setting the parameters for the same reasons as described in WARNING in step <4>:

- Set the parameters in the emergency stop signal input state.
- Confirm that the settings are the same as the values in step <9>.

- <10> Turn the power off.

NOTE

The AMR offset is a parameter indicating the phase relationships between the motor and motor sensor. After the phase relationships are changed due to a cause such as the replacement of the motor sensor, adjust the AMR offset again.

1.5.4 I/O Signals (CNC↔PMC)

(1) Address list of Input signals (PMC→CNC)

	15i	16i	30i	#7	#6	#5	#4	#3	#2	#1	#0
1st-	G227	G070	G070	MRDYA		SFRA	SRVA				
2nd-	G235	G074	G074	MRDYB		SFRB	SRVB				
1st-	G226	G071	G071							*ESPA	
2nd-	G234	G075	G075							*ESPB	
1st-	G228	G073	G073	EPFSTRA					MPOFA		
2nd-	G236	G077	G077	EPFSTRB					MPOFB		

(2) Details of input signals (PMC→CNC)

This item provides a list of the input signals related to pole position detection only. Also see Section 3.1, “INPUT SIGNALS (PMC→CNC→SP),” in Part IV.

(a) Machine ready signal (MRDYA)

Set this signal to “1” before starting pole position detection.

(b) Forward rotation command signal (SFRA) and reverse rotation command signal (SRVA)

- (1) When bit 7 (EPFSIG) of parameter No. 4007 is set to 0:
One of these signals starts pole position detection operation. Input one of the signals. The velocity command is ignored while the pole position undetected state (EPFIX = 0). However, as soon as EPFIX is set to 1 (the pole position detection completed), the velocity command is accepted to start rotation.
- (2) When bit 7 (EPFSIG) of parameter No. 4007 is set to 1:
When this setting is made, these signals operate not as signals for starting pole position detection, but as those for simply turning excitation on. Before starting pole position detection operation (EPFSTR = 1), input either signal of SFR and SRV.

(c) Emergency stop signal (*ESPA)

Set this signal to “1” before starting pole position detection.

(d) Pole position detection operation start signal (EPFSTRA)

- (1) When bit 7 (EPFSIG) of parameter No. 4007 is set to 0:
This signal is disabled. Always set this signal to “0.”
- (2) When bit 7 (EPFSIG) of parameter No. 4007 is set to 1:
To make the operator concerned with pole position detection operation, this signal can be used together with EPFIX (pole position detection state signal). While this signal is input, the spindle software ignores a command and displays error 30 (on the spindle amplifier (SP)). So, when EPFIX is set to 1, turn this signal off.

(e) Motor power turn-off signal (MPOFA)

Do not input this signal during pole position detection operation. The motor is not excited and the magnetic pole position cannot be detected.

(3) Address list of output signals (CNC→PMC)

	15i	16i	30i	#7	#6	#5	#4	#3	#2	#1	#0
1st-	F230	F048	F048	EPPFIXA							
2nd-	F246	F052	F052	EPPFIXB							

(4) Details of output signals (CNC→PMC)**(a) Pole position detection state signal (EPPFIXA)**

This signal indicates the state of pole position detection.

0 : Pole position undetected

In this state, pole position detection operation is started by a start signal.

1 : Pole position detection completed

This signal is reset to 0 if a spindle alarm indicating the loss of the pole position due to trouble such as a motor sensor disconnection is issued.

If this signal state is indicated using a lamp on the operator's panel, the operator can recognize the pole position detection state.

If any of the following spindle alarms is issued, the spindle amplifier (SP) loses the pole position and turns off the pole position detection state signal (EPPFIX = 0).

Spindle alarm Nos. : 01, 24, 25, 26, 31, 37, 65, 73, 90, 91, 92, 132, 133, 134, 139, 140, 141, 142

1.5.5 Related Parameters

(1) Parameters related to pole position detection

15i	16i	30i	#7	#6	#5	#4	#3	#2	#1	#0
3007	4007	4007	EPFSIG							

EPFSIG

Selects a pole position detection start signal.

0 : Uses SFR or SRV as a pole position detection start signal.

1 : Uses EPFSTR as a pole position detection start signal.

Set this parameter to select a desired start signal.

15i	16i	30i
3083	4083	4083

Current ratio/motor stop confirmation time in pole position detection operation

The upper two digits (thousands and hundreds) indicate a current ratio in pole position detection, and the lower two digits (tens and ones) indicate a motor stop confirmation time.

Current ratio in pole position detection (upper two digits)

Unit of data : 1%

Valid data range : 0 to 99

Standard setting value : Depends on the motor model.

Set the magnitude of a current command value in pole position detection operation as a ratio to the maximum current value.

This parameter is valid in the minute moving mode or DC current mode.

Motor stop confirmation time (lower two digits)

Unit of data : 0.1sec

Valid data range : 0 to 99

Standard setting value : Depends on the motor model.

Set a period of time for confirming the stop of the motor in DC current mode.

This parameter is valid in DC current mode.

NOTE

If pole detection position precision is insufficient for a cause such as friction, the motor output torque may decrease. In such a case, this parameter needs to be adjusted.

15i	16i	30i	#7	#6	#5	#4	#3	#2	#1	#0
3398	4398	4398						SELMET		

SELMET Selects a pole position detection mode.
 0 : Performs pole position detection in the DC current mode.
 1 : Performs pole position detection in the auto select mode or minute moving mode.

Usually, set this parameter to 1 (auto select or Minute moving mode) to use the function.

NOTE
 This parameter is valid with 9D53 series C (03) edition or later, 9D70 series B (02) edition or later, and 9D80 series B (02) edition or later.

15i	16i	30i	#7	#6	#5	#4	#3	#2	#1	#0
3399	4399	4399		MINUTE						

MINUTE Selects a pole position detection mode.
 0 : Auto select mode (Minute moving mode + stop mode)
 1 : Minute moving mode

Usually, set this parameter to 1 (minute moving mode) to use the function.

NOTE
 This parameter is valid with 9D53 series I (09) edition or later, 9D70 series H (08) edition or later, and 9D80 series B (02) edition or later.

15i	16i	30i	Direction detection current(Current value B)/polarity determination current(Current value C)							
3449	4449	4449								

The upper three digits (ten thousands, thousands, and hundreds) indicate a direction detection current, and the lower two digits (tens and ones) indicate a polarity determination current.

Direction detection current (upper three digits)

Unit of data : 1%
 Valid data range : 0 to 320
 Standard setting value : 0

Set a current for pole position direction detection in pole position detection operation. When 0 is set, 100% is set.
 This parameter is valid in the stop mode.

Polarity determination current (lower two digits)

Unit of data : 1%
 Valid data range : 0 to 99
 Standard setting value : 0

Set a detection current for determining the polarity of the pole position as a ratio to the maximum current value. When 0 is set, 70% is set internally.

This parameter is valid in the stop mode.

NOTE
 This parameter is valid with 9D53 series C (03) edition or later, 9D70 series B (02) edition or later, and 9D80 series B (02) edition or later.

15i 16i 30i
 3450 4450 4450

Travel distance allowance magnification/velocity feedback threshold

The upper three digits (ten thousands, thousands, and hundreds) indicate a travel distance allowance magnification, and the lower two digits (tens and ones) indicate a velocity feedback threshold.

Travel distance allowance magnification (upper three digits)

Unit of data : 1%
 Valid data range : 0 to 200
 Standard setting value : 0

Set a travel distance allowance magnification. Set a ratio relative to a machine angle of 5 deg assumed to be 100%. When 0 is set, 100% (machine angle of 5 deg) is set internally.

This parameter is valid in the minute moving mode.

Velocity feedback threshold (lower two digits)

Unit of data : 1%
 Valid data range : 0 to 99
 Standard setting value : 0

Set a velocity feedback threshold for determining the stop of the motor, assuming 100% = 110 min⁻¹. When 0 is set, 10% (11 min⁻¹) is set internally.

This parameter is valid in the minute moving mode.

NOTE
 This parameter is valid with 9D53 series C (03) edition or later, 9D70 series B (02) edition or later, and 9D80 series B (02) edition or later.

(2) Parameters related to AMR offset

15i 16i 30i
 3008 4008 4008

#7	#6	#5	#4	#3	#2	#1	#0
	NEGREF						

NEGREF Sets whether to use a one-rotation signal of the motor sensor as reference pole position data.

0 : Uses the one-rotation signal position of the motor sensor as reference pole position data.

1 : Does not use the one-rotation signal position of the motor sensor as reference pole position data.

When this parameter is set to “1,” the spindle amplifier operates based on the initial pole position detected by pole position detection operation regardless of the one-rotation signal position of the motor sensor.

Usually, set this parameter to 0 (uses the AMR offset function) to use the spindle amplifier.

15i	16i	30i
3084	4084	4084

AMR offset

Unit of data : 1 pulse (8192 pulses = electric angle 360 deg)
 Valid data range : 0, 1 to 8192
 Standard setting value : 0

Set an AMR offset.

This parameter is valid when bit 6 (NEGREF) of parameter No. 4008 is set to 0. Set an adjustment value to this parameter. When this parameter is set to 0, the AMR offset function is disabled. When setting 0 pulse as an AMR offset, set 8192.

See Subsection 1.5.3, “AMR Offset Function”, in Part IV, and adjust this parameter for each motor.

CAUTION

- *1 This parameter needs to be adjusted for individual motors. If parameters for another machine are loaded, clear and adjust this parameter after loading the parameters.
- *2 This parameter indicates the phase relationships between the motor and motor sensor. After the phase relationships are changed due to a cause such as the replacement of the motor sensor, adjust the AMR offset again.

NOTE

- 1 This parameter is valid with 9D53 series C (03) edition or later, 9D70 series B (02) edition or later, and 9D80 series B (02) edition or later.
- 2 When the spindle software edition is earlier than the editions above, set this parameter to 0.

15i 16i 30i
3085 4085 4085

AMR offset adjustment value

Unit of data : 1 pulse (8192 pulses = electric angle 360 deg)
Valid data range : -300 to +300 (electric angle: -13.2deg to +13.2deg)
Standard setting value : 0

This parameter is used for AMR offset adjustment. The AMR offset can be shifted by a specified number of pulses.

To protect against an operation error caused by directly modifying the AMR offset (parameter No. 4084), the valid data range is limited to -300 to +300 pulses.

Observe the torque command and actual speed when making forward rotations and reverse rotations at the same speed, and make an adjustment so that same acceleration time and deceleration time are achieved with the same torque command, and the torque command in a certain rotation is about the same.

CAUTION

- *1 After the adjustment with this parameter, change the following parameters in the emergency stop state:
- *2 Add the adjusted value of parameter No. 4085 to the setting of parameter No. 4084, and set the obtained value for parameter No. 4084 as the new AMR offset value.
- *3 After setting parameter No. 4084 again, set parameter No. 4085 to "0".
- *4 Turn the power off, then on again.

NOTE

- 1 This parameter is valid with 9D53 series C (03) edition or later, 9D70 series B (02) edition or later, and 9D80 series B (02) edition or later.
- 2 When the spindle software edition is earlier than the editions above, set this parameter to 0.

15i 16i 30i
3532 4532 4532

Arbitrary data output function number
--

Unit of data :
Valid data range : 0 to 32767
Standard setting value : 0

Set this parameter to 2 when an AMR offset candidate value is to be checked on the diagnosis screen of the CNC. An AMR offset candidate value (pole position corresponding to a one-rotation signal position counted relative to the pole detection position) can be checked with the following numbers on the diagnosis screen of the CNC:

	Diagnosis No. (16i)	Diagnosis No. (30i)
1st spindle	720	720
2nd spindle	721	720
3rd spindle	740	720
4th spindle	741	720

NOTE

- 1 When this function is used, the following combinations of spindle software and CNC software must be used:

For spindle software 9D53 series F edition or later and 9D80 series B edition or later

FS16i /160i /160is-TB : B1HA series V (22) edition or later

FS16i /160i /160is-MB : B0HA series P (16) edition or later

FS18i /180i /180is-TB : BEHA series V (22) edition or later

FS18i /180i /160is-MB : BDHA series P (16) edition or later

FS18i /180i /180is-MB5 : BDHE series F (06) edition or later

FS21i /210i /210is-TB : DEHA series V (22) edition or later

FS21i /210i /210is-MB : DDHA series P (16) edition or later

For spindle software 9D70 series E edition or later and 9D80 series B edition or later

FS30i /300i /300is-A : G002/G012/G022 series F (6.0) edition or later

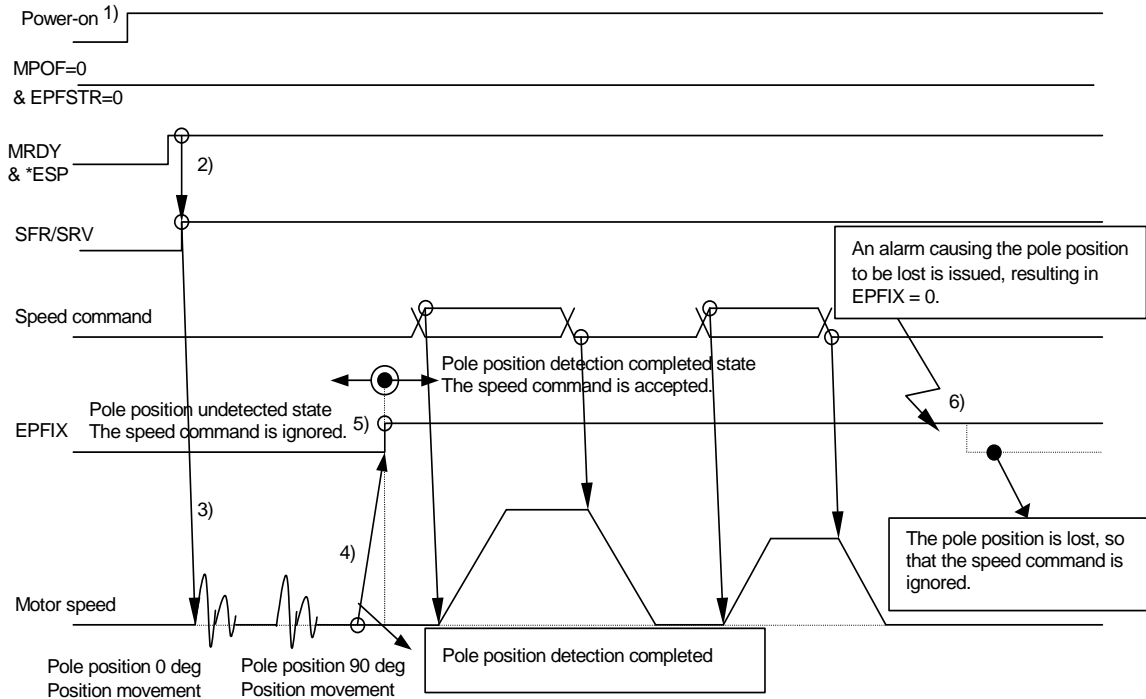
FS31i /310i /310is-A5 : G121/G131 series F (6.0) edition or later

FS31i /310i /310is-A : G101/G111 series F (6.0) edition or later

FS32i /320i /320is-A : G201 series F (6.0) edition or later

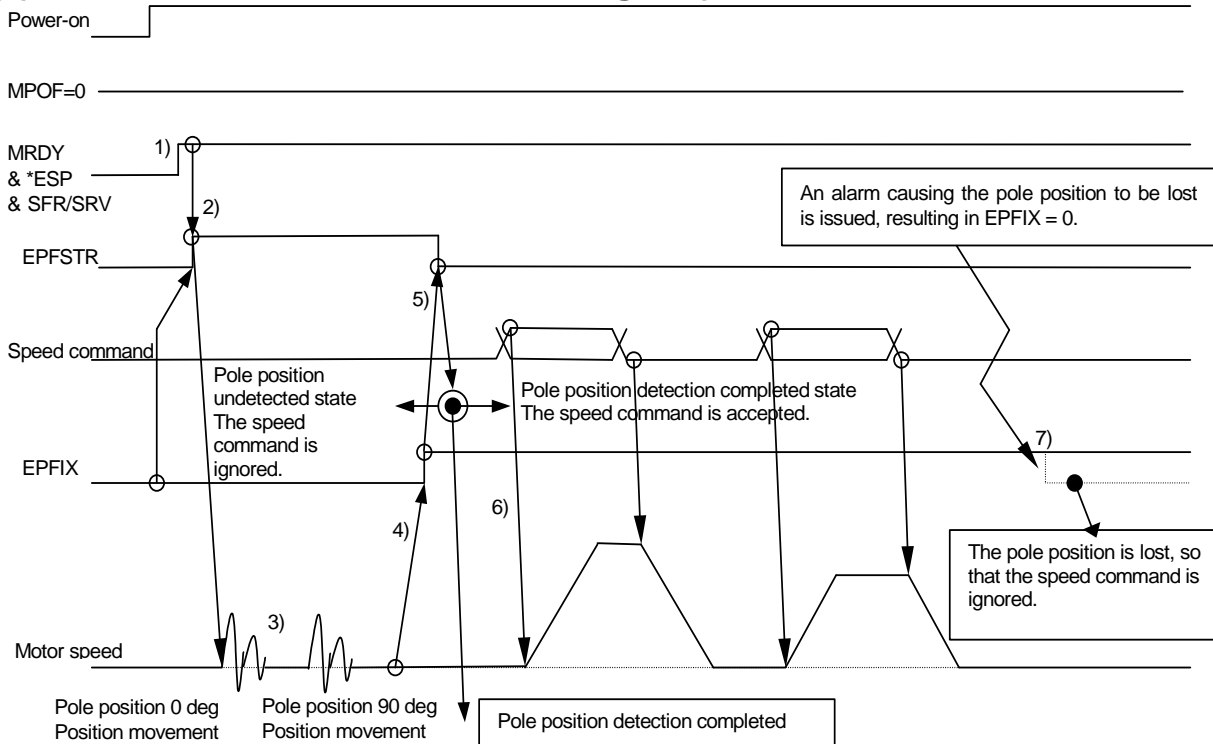
1.5.6 Sequence

(1) When SFR or SRV is used as a start signal (Parameter No.4007#7:EPFSIG=0)



When SFR or SRV is input in the pole position undetected state (EPFIX = 0), pole position detection starts, ignoring the speed command. The speed command is enabled after pole position detection is completed (EPFIX = 1). Do not input MPOF (motor power turn-off signal) and EPFSTR (pole position detection operation start signal).

- After turning on the power, the operator is to make a preparation to activate the motor.
- Upon completion of preparation, set SFR (or SRV) to 1.
- In the pole position undetected state (EPFIX = 0), magnetic pole detection automatically starts.
- When pole position detection operation is started, the motor moves to the pole position 0 deg position then moves to and stops at the pole position 90 deg position (machine angle 90 deg/pole-pair), determining the pole position. (DC current mode)
- When the pole position is determined, the motor enters the pole position detection completed state (EPFIXA = 1), which allows the motor to drive. If a command is kept input during pole position detection, the motor starts rotating at the same time the pole position is determined. The operator may feel that this motion is unpredictable. So, provide interlock so that rotation and other commands cannot be input in the pole position undetected state (EPFIX = 0).
- If a spindle alarm that causes the pole position to be lost is issued, the pole position undetected state (EPFIX = 0) is set. When specifying the next rotation command, start all over again from the beginning of the sequence.

(2) When EPFSTR is used as a start signal (Parameter No.4007#7:EPFSIG=1)

It is assumed that the pole position determination state signal EPFIX and the pole position determination operation start signal EPFSTR correspond to a lamp and button on the operator's panel. Do not input MPOF (motor power turn-off signal) during pole position detection operation.

- (1) The operator recognizes EPFIX = 0 (the lamp turned off on the operator's panel) then makes a preparation for pole position detection operation.
- (2) Upon completion of preparation, set EPFSTR = 1 (turn on the button on the operator's panel) to start pole position determination operation.
- (3) The motor moves to the pole position 0 deg position then moves to and stops at the pole position 90 deg position (machine angle 90 deg/pole-pair), determining the pole position.
- (4) Upon pole position determination, EPFIX = 1 is set (the lamp on the operator's panel is turned on).
- (5) The operator recognizes the completion of pole position detection operation and set EPFSTR to 0 (turns the button on the operator's panel off).
- (6) When EPFSTR is set to 0, the speed command can be accepted. Confirm that the spindle amplifier is in the pole position detection completed state (EPFIX = 1) and EPFSTR is set to 0 before inputting a rotation or move command.
- (7) If a spindle alarm that causes the pole position to be lost is issued, EPFIX = 0 is set (the lamp on the operator's panel is turned off). In this case, start all over again from the beginning of the sequence.

1.5.7 Causes of Spindle Alarm 65

If pole position detection fails, spindle alarm 65 is issued. This alarm may be issued for the causes listed below. If spindle alarm 65 is issued, check the following:

- (1) Any of the following parameters is set incorrectly:
No.4011#2,#1,#0, No.4334 (Number of teeth of the motor sensor)
No.4011#7,#3, No.4368 (Number of motor poles)
- (2) The activation current ratio in pole position detection is small so that friction impedes movement.
If spindle alarm 65 is issued for this cause, increase the value of the upper three digits (activation current ratio) of parameter No. 4083.
- (3) The motor stop confirmation time (lower two digits of parameter No. 4083) is too short.
The motor vibrates when it stops. So, if the set value is too small, an incorrect magnetic pole position is recognized. A sufficiently long time is needed to confirm the stop of the motor.
- (4) Motor feedback signal counting is performed incorrectly for a cause such as noise.
- (5) The motor is mechanically held and cannot move.
- (6) The motor power line is not connected. (Alternatively, the magnetic contactor is off if it is installed between the spindle amplifier and motor.)
- (7) The motor power line phase order does not match the motor feedback signal connection phase order.

1.5.8 Cautions



CAUTION

This subsection provides notes on magnetic pole detection. For safety, carefully follow the notes described in this subsection.

- (1) After the power is turned on or an alarm that causes the pole position to be lost is issued, pole position detection needs to be performed.
- (2) In both the DC current and minute moving modes, the pole position is detected by moving the motor. For this reason, pole position detection is disabled in the motor locked state. So, perform pole position detection when the motor can move.
- (3) If the precision of pole position detection is poor, the motor output torque is small.
- (4) If pole position detection is not completed, all input rotation and move commands are ignored. However, those commands become valid upon completion of pole position detection. So, if an input command is left uncleared in the pole position undetected state, the motor abruptly rotates upon completion of pole position detection, resulting in a dangerous situation. Prepare such a sequence that commands are input after the pole position

determination state signal (F048#7 (EPFIXA)) set to 1 is confirmed.

2

EXPLANATION OF OPERATION MODES

2.1 VELOCITY CONTROL MODE

2.1.1 Start-up Procedure

For this subsection, see Subsection 2.1.1, “Start-up Procedure”, in Part I.

2.1.2 Overview

For this subsection, see Subsection 2.1.2, “Overview”, in Part I.

2.1.3 System Configuration

The velocity control mode is applicable to all detector configurations. For system configurations, see Subsection 1.3.3, “Typical Detector Configurations”, in Part IV.

2.1.4 List of I/O Signals (CNC↔PMC)

For this subsection, see Subsection 2.1.4, “List of I/O Signals (CNC↔PMC)”, in Part I.

2.1.5 Related Parameters

Parameter No.			Description
15i	16i	30i	
—	3705#0	3705#0	Sets SF signal output and the S code for an S command.
—	3705#2	3705#2	Gear switch method (M series only)
—	3705#4	3705#4	Sets SF signal output and the S code for an S command (T series only).
—	3705#5	3705#5	Sets SF signal output when constant surface speed control is exercised and an S code is specified (M series only).
—	3705#6	3705#6	Sets SF signal output (M series only).
—	3706#4	3706#4	Spindle gear selection method (M series only)
—	3706#7,#6	3706#7,#6	Spindle speed command polarity (valid when input signal SSIN = 0)
—	3709#0	3709#0	Number of sampling operations at spindle speed calculation time (T series only for 16i)
—	3735	3735	Minimum clamp speed of the spindle motor (M series only)
—	3736	3736	Maximum clamp speed of the spindle motor (M series only)
—	3740	3740	Time until the spindle speed arrival signal is checked
—	3741	3741	Maximum spindle speed for gear 1
—	3742	3742	Maximum spindle speed for gear 2
—	3743	3743	Maximum spindle speed for gear 3
—	3744	3744	Maximum spindle speed for gear 4 (T series only)
—	3751	3751	Spindle motor speed at the switch point between gear 1 and gear 2 (M series only)
—	3752	3752	Spindle motor speed at the switch point between gear 2 and gear 3 (M series only)
—	3772	3772	Maximum allowable spindle speed
2031	3031	3031	Allowable number of S code characters
2003#1	—	—	Sets an S code polarity.
2204#0	—	—	Sets the display of an actual spindle speed.
2402#6	—	—	Sets the S code specified in a block containing G92.
5602#3	—	—	Whether to provide an indication for an alarm detected with the spindle amplifier. (Set "0" usually.)
5611	—	—	Number of sampling operations when an average spindle speed is to be found.
5612	—	—	Unit of spindle speed output with the DO signal
5807#0	—	—	Enables/disables the spindle alarms (SPxxxx) of all spindles. (Set "0" usually.)
5842	—	3720	Number of position coder pulses
5847	—	3721	Number of gear teeth on the position coder side on velocity control (for feed per revolution, threading, etc.)
5848	—	3722	Number of gear teeth on the spindle side on velocity control (for feed per revolution, threading, etc.)
5850	—	—	Spindle number to be selected at power-on/reset time
5820#4	—	—	Sets the method of spindle speed calculation.
3006#5	4006#5	4006#5	Sets an analog override range.
3009#4	4009#4	4009#4	Whether to output the load detection signals (LDT1, LDT2) during acceleration/deceleration
3009#6	4009#6	4009#6	Analog override type
3012#6	4012#6	4012#6	Sets whether to drive the synchronous built-in spindle motor. (Set "1".)
3012#7	4012#7	4012#7	Sets the spindle HRV function. (Set "1".)
5607#0	4019#7	4019#7	Automatic spindle parameter setting function
3352#1	4352#1	4352#1	Sets the peak hold function for load meter output.
3020	4020	4020	Maximum motor speed

Parameter No.			Description
15i	16i	30i	
3022	4022	4022	Speed arrival detection level
3023	4023	4023	Speed detection level
3024	4024	4024	Speed zero detection level
3025	4025	4025	Torque limitation value.
3026	4026	4026	Load detection level 1
3027	4027	4027	Load detection level 2
3030	4030	4030	Soft start/stop setting time
3040	4040	4040	Velocity loop proportional gain on the velocity control mode (A parameter is selected by the PMC input signal CTH1A.)
3041	4041	4041	
3048	4048	4048	Velocity loop integral gain on the velocity control mode (A parameter is selected by the PMC input signal CTH1A.)
3049	4049	4049	
3056 to 3059	4056 to 4059	4056 to 4059	Spindle and motor gear ratio data (A parameter is selected by the PMC input signals CTH1A and CTH2A.)
3081	4081	4081	Delay time until the motor power is turned off
3082	4082	4082	Sets an acceleration/deceleration time.
3508	4508	4508	Rate of change in acceleration at soft start/stop

NOTE

- 1 For the detector-related parameters, see Section 1.3, "PARAMETERS RELATED TO DETECTORS", in Part IV.
- 2 For velocity loop proportional/integral gain adjustment, see Section 4.1, "VELOCITY LOOP GAIN ADJUSTMENT", in Part IV.

2.1.6 Details of Related Parameters

This subsection details the serial spindle parameters (in the four thousands for 16i, and in the four thousands for 30i, and in the three thousands for 15i) among the parameters related to the velocity control mode. For details of other parameters, refer to the Connection Manual (Function) of each CNC.

- (a) For Series 16i/18i/21i
 “FANUC Series 16i/18i/21i-MODEL B
 CONNECTION MANUAL (FUNCTION) : B-63523EN-1
 Refer to Section 9.3, “SPINDLE SPEED CONTROL.”
- (b) For Series 30i/31i/32i
 “FANUC Series 30i/31i/32i-MODEL A
 CONNECTION MANUAL (FUNCTION) : B-63943EN-1
 Refer to Section 11.3, “SPINDLE SPEED CONTROL.”
- (c) For Series 15i
 “FANUC Series 15i-MODEL B
 CONNECTION MANUAL (FUNCTION) : B-63783EN-1
 Refer to Section 9.3, “SPINDLE SPEED CONTROL.”

15i	16i	30i	#7	#6	#5	#4	#3	#2	#1	#0
3006	4006	4006			ALGOVR					

ALGOVR Sets a spindle analog override range.
 0 : 0 to 100% (standard setting value)
 1 : 0 to 120%

15i	16i	30i	#7	#6	#5	#4	#3	#2	#1	#0
3008	4008	4008			SSMUSE					

SSMUSE Sets whether to use the sub module SM (SSM).
 0 : Does not use the sub module SM.
 1 : Uses the sub module SM.

NOTE
 To use the BiS series spindle motor safely, be sure to connect the SSM and set SSMUSE to “1”.

15i	16i	30i	#7	#6	#5	#4	#3	#2	#1	#0
3009	4009	4009		OVRTYP		LDTOUT				

LDTOUT Whether to output the load detection signals (LDT1 and LDT2) during acceleration/deceleration
 0: Not output during acceleration/deceleration. (standard setting value)
 1: Output (at all times) during acceleration/deceleration if the parameter-set level is exceeded.

OVRTYP Analog override type
 0: Override of linear function type (standard setting value)
 1: Override of quadratic function type

15i	16i	30i	#7	#6	#5	#4	#3	#2	#1	#0
3012	4012	4012	SPHRV	SYSP						

SYSP Sets whether to drive the synchronous built-in spindle motor.
 0: Enables inductive spindle motor driving. (standard setting value)
 1: Enables synchronous built-in spindle motor driving.
 Set to "1".

SPHRV Sets the spindle HRV control function.
 0: Disables spindle HRV control.
 1: Enables spindle HRV control. (standard setting value)
 Set to "1".

NOTE
 When driving the BiS series spindle (synchronous built-in spindle motor), be sure to set both of the SYSP and SPHRV bits to 1.

16i	30i	#7	#6	#5	#4	#3	#2	#1	#0
4019	4019	PRLOAD							

PRLOAD Automatic parameter setting function
 0: Does not perform automatic parameter setting. (standard setting value)
 1: Performs automatic parameter setting.
 After setting a desired motor model code in parameter No. 4133 and setting this bit to 1, turn off the power to the CNC, then turn on the power to the CNC again. The parameters (No. 4000 to No. 4175) for the α i series spindle corresponding to the model code are automatically initialized. Upon completion of automatic setting, this bit is automatically set to 0.

NOTE

With FS15*i*, the parameter address of this function is different, namely, bit 0 of No. 5607 is used.

Moreover, note that the meanings of settings are reversed as follows.

0 : Performs automatic parameter setting.

1 : Does not perform automatic parameter setting.

In this case, set a model code in parameter No. 3133.

15*i* 16*i* 30*i*
3352 4352 4352

#7	#6	#5	#4	#3	#2	#1	#0
						PKHALW	

PKHALW

Sets the peak hold function for load meter output.

0 : Does not use the peak hold function. (standard setting value)

1 : Uses the peak hold function.

15*i* 16*i* 30*i*
3020 4020 4020

Maximum motor speed

Unit of data :

1min⁻¹

Valid data range :

0 to 32767

Standard setting value :

Depends on the motor model.

This parameter sets a maximum spindle motor speed.

⚠ WARNING

The spindle motor may rotate at the maximum spindle motor speed specified by this parameter. Therefore, this parameter must not be set to a value greater than the maximum rotation speed indicated by the specification of the spindle motor.

15*i* 16*i* 30*i*
3022 4022 4022

Speed arrival detection level

Unit of data :

0.1%

Valid data range :

0 to 1000

Standard setting value :

150

This parameter sets a speed arrival signal (SARA) detection range.

When the motor speed reaches within $\pm(\text{setting data}/10)\%$ of a specified speed, the speed arrival signal (SARA) is set to 1.

15i 16i 30i
3023 4023 4023

Speed detection level

Unit of data : 0.1%
Valid data range : 0 to 1000
Standard setting value : 30

This parameter sets a speed detection signal (SDTA) detection range. When the motor speed is (setting data/10)% of a maximum speed or less, the speed detection signal (SDTA) is set to 1.

15i 16i 30i
3024 4024 4024

Speed zero detection level

Unit of data : 0.01%
Valid data range : 0 to 10000
Standard setting value : 75

This parameter sets a speed zero detection signal (SSTA) detection range.

When the motor speed is (setting data/100)% of a maximum speed or less, the speed zero detection signal (SSTA) is set to 1.

NOTE

<p>If a calculated speed zero detection level exceeds 200 min^{-1}, the speed zero detection level is clamped to 200 min^{-1}. (9D53 series B (02) edition or later, 9D70 series A (01) edition or later, and 9D80 series B (02) edition or later)</p>
--

15i 16i 30i
3025 4025 4025

Torque limitation value.

Unit of data : 1%
Valid data range : 0 to 100
Standard setting value : 50

This parameter sets a torque limitation value to be applied when the torque limitation command HIGH (TLMHA) or the torque limitation command LOW (TLMLA) is specified.

The data indicates limitation values when the maximum torque is 100%.

Torque limitation command LOW(TLMLA)	Torque limitation command HIGH(TLMHA)	Description
0	0	No torque limitation is imposed.
0	1	The torque is limited to the value set in this parameter.
1	0	The torque is limited to a half of the value set in this parameter.
1	1	

15i 16i 30i
3026 4026 4026

Load detection level 1

Unit of data : 1%
Valid data range : 0 to 100
Standard setting value : 83

This parameter sets a load detection signal 1 (LDT1A) detection range.

When the output of the spindle motor is (setting data)% of the maximum output or more, load detection signal 1 (LDT1A) is set to 1.

15i 16i 30i
3027 4027 4027

Load detection level 2

Unit of data : 1%
Valid data range : 0 to 100
Standard setting value : 95

This parameter sets a load detection signal 2 (LDT2A) detection range.

When the output of the spindle motor is (setting data)% of the maximum output or more, load detection signal 2 (LDT2A) is set to 1.

15i 16i 30i
3030 4030 4030

Soft start/stop setting time

Unit of data : $1\text{min}^{-1}/\text{sec}$
Valid data range : 0 to 32767
Standard setting value : 0

This parameter sets an acceleration value (speed change rate) when the soft start/stop function is enabled (when the soft start/stop signal SOCNA = 1).

NOTE

When 0 is set, the soft start/stop function is disabled.
--

15i 16i 30i
3040 4040 4040
3041 4041 4041

Velocity loop proportional gain on velocity control mode (HIGH)	CTH1A=0
Velocity loop proportional gain on velocity control mode (LOW)	CTH1A=1

Unit of data :
Valid data range : 0 to 32767
Standard setting : 10

This data is used to set the velocity loop proportional gain on velocity control mode.

When the input signal CTH1A = 0, (HIGH) is selected. When the input signal CTH1A = 1, (LOW) is selected.

15i 16i 30i
 3048 4048 4048
 3049 4049 4049

Velocity loop integral gain on velocity control mode (HIGH)	CTH1A=0
Velocity loop integral gain on velocity control mode (LOW)	CTH1A=1

Unit of data :
 Valid data range : 0 to 32767
 Standard setting : 10

This data is used to set the velocity loop integral gain on velocity control mode.

When the input signal CTH1A = 0, (HIGH) is selected. When the input signal CTH1A = 1, (LOW) is selected.

15i 16i 30i
 3056 4056 4056
 3057 4057 4057
 3058 4058 4058
 3059 4059 4059

Gear ratio (HIGH)	CTH1A=0, CTH2A=0
Gear ratio (MEDIUM HIGH)	CTH1A=0, CTH2A=1
Gear ratio (MEDIUM LOW)	CTH1A=1, CTH2A=0
Gear ratio (LOW)	CTH1A=1, CTH2A=1

Unit of data : (Motor rotation for one rotation of spindle) / 100
 (When parameter No. 4006 #1 (GRUNIT) is 1, motor rotation / 1000)
 Valid data range : 0 to 32767
 Standard setting : 100

These data are used to set the gear ratio between spindle and spindle motor.

Usually, set 100.

NOTE

When an improper value is set in these parameters, an unexpected operation can occur. For example, the spindle can continue rotating without stopping at the time of orientation. So, be sure to set a proper gear ratio.

15i 16i 30i
 3081 4081 4081

Delay time until the motor power is turned off

Unit of data : 10ms
 Valid data range : 0 to 1000
 Standard setting value : 20(200ms)

This parameter sets a period of time from the stop of the motor (detection of the speed zero detection signal SSTA set to 1) until the power to the motor is turned off if the SFR/SRV signal is off.

NOTE

When a small value is set in this parameter, the motor can coast after the power to the motor is turned off.

15i 16i 30i
3082 4082 4082

Setting of acceleration/deceleration time
--

Unit of data : 1sec
Valid data range : 0 to 255
Standard setting value : 10

This parameter sets a period of time in which alarm detection is disabled by assuming that the spindle motor is being accelerated or decelerated even if the velocity error exceeds the velocity error excess alarm (spindle alarm 02) level after start of acceleration/deceleration on the velocity control mode.

In the velocity control mode, a step-by-step speed command is specified. So, the spindle motor cannot follow up the command immediately after start of acceleration/deceleration, and the velocity error exceeds the velocity error excess alarm level. This parameter is used to prevent the velocity error excess alarm (spindle alarm 02) from being detected incorrectly immediately after start of acceleration/deceleration.

NOTE

With a machine tool such as a lathe that has a large load inertia, the acceleration/deceleration time becomes longer. In such a case, set the value corresponding to the acceleration/deceleration time of the machine in this parameter.

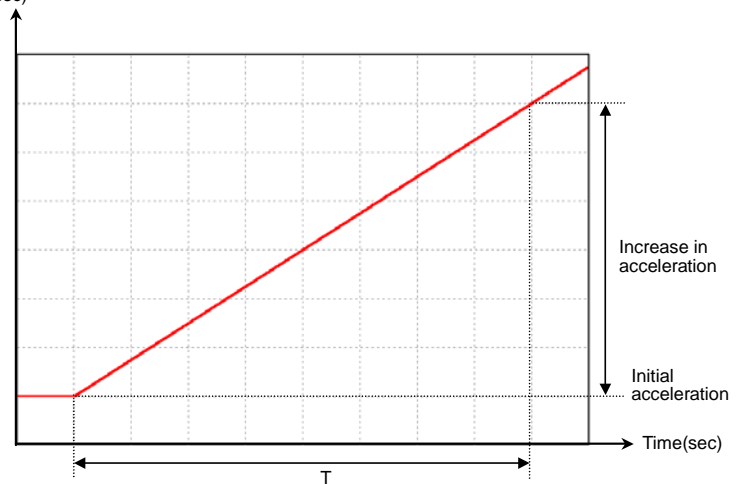
15i 16i 30i
3508 4508 4508

Rate of change in acceleration at soft start/stop
--

Unit of data : $10\text{min}^{-1}/\text{sec}^2$
Valid data range : 0 to 32767
Standard setting : 0

This parameter sets the jerk (the rate of change in acceleration) when the soft start/stop function is enabled (soft start/stop signal SOCNA = 1).

Acceleration in velocity command
(min⁻¹/sec)



Starts changing velocity command issued from CNC at this point.

Increase in acceleration = $10 \times$ setting in parameter No. 4508 \times T

Initial acceleration = Setting in parameter No. 4030

NOTE

- 1 This parameter is valid with 9D53 series B (02) edition or later, 9D70 series A (01) edition or later, and 9D80 series B (02) edition or later.
- 2 If 0 is set, a linear type velocity command is observed when the soft start/stop function is enabled.

2.1.7 Troubleshooting

For this subsection, see Subsection 2.1.7, “Troubleshooting”, in Part I.

2.2 POSITION CODER METHOD SPINDLE ORIENTATION (OPTIMUM ORIENTATION) (OPTIONAL FUNCTION)

2.2.1 Start-up Procedure

For this subsection, see Subsection 2.2.1, “Start-up Procedure”, in Part I.

2.2.2 Overview

For this subsection, see Subsection 2.2.2, “Overview”, in Part I.

NOTE

- *1 When driving the BiS series spindle (synchronous built-in spindle motor), parameter No.4084 is used for AMR offset function.(The parameter isn't the motor voltage for spindle orientation) Be sure that if an inappropriate value is set for the AMR offset, the motor may move unpredictably.
- *2 For an explanation of AMR offset function, see Subsection 1.5.3, “AMR Offset Function”, in Part IV.

2.2.3 Transition from Conventional Method Orientation to Optimum Orientation

For this subsection, see Subsection 2.2.3, “Transition from Conventional Method Orientation to Optimum Orientation”, in Part I.

2.2.4 Feature

For this subsection, see Subsection 2.2.4, “Feature”, in Part I.

2.2.5 Block Diagram

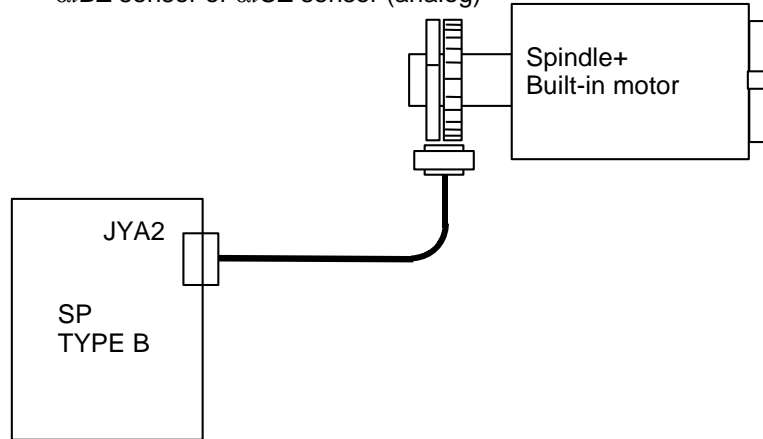
For this subsection, see Subsection 2.2.5, “Block Diagram”, in Part I.

2.2.6 System Configuration

The system configurations that enable the use of the position coder method orientation function are shown below.

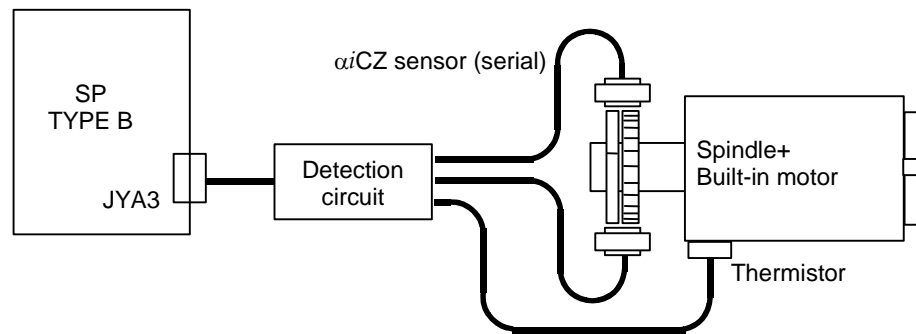
(1) When the α iBZ sensor or α iCZ (analog) sensor is used

[Sample system configuration]
 α iBZ sensor or α iCZ sensor (analog)



(2) When the α iCZ (serial) sensor is used

[Sample system configuration]



2.2.7 Stop Position Specification Method

For this subsection, see Subsection 2.2.7, “Stop Position Specification Method”, in Part I.

2.2.8 I/O Signals (CNC↔PMC)

For this subsection, see Subsection 2.2.8, “I/O Signals (CNC↔PMC)”, in Part I.

2.2.9 Examples of Sequences

For this subsection, see Subsection 2.2.9, “Examples of Sequences”, in Part I.

2.2.10 Explanation of Operation

For this subsection, see Subsection 2.2.10, “Explanation of Operation”, in Part I.

2.2.11 Related Parameters

For this subsection, see Subsection 2.2.11, “Related Parameters”, in Part I.

2.2.12 Details of Related Parameters

For this subsection, see Subsection 2.2.12, “Details of Related Parameters”, in Part I.

2.2.13 Tuning Procedure

For this subsection, see Subsection 2.2.13, “Tuning Procedure”, in Part I.

2.2.14 Adjusting the Orientation Stop Position Shift Parameter

For this subsection, see Subsection 2.2.14, “Adjusting the Orientation Stop Position Shift Parameter”, in Part I.

2.2.15 Supplementary Descriptions

For this subsection, see Subsection 2.2.15, “Supplementary Descriptions”, in Part I.

2.3 RIGID TAPPING (OPTIONAL FUNCTION)

2.3.1 Start-up Procedure

For this subsection, see Subsection 2.3.1, “Start-up Procedure”, in Part I.

2.3.2 Overview

For this subsection, see Subsection 2.3.2, “Overview”, in Part I.

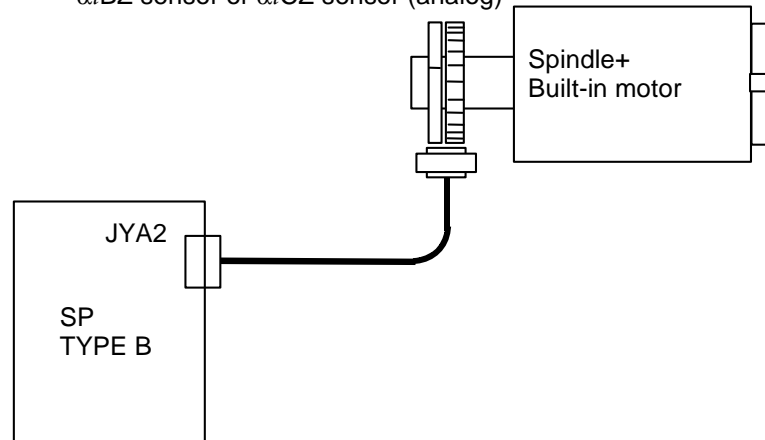
2.3.3 System Configuration

The system configurations that enable the use of rigid tapping are shown below.

(1) When the α iBZ sensor or α iCZ sensor (analog) is used

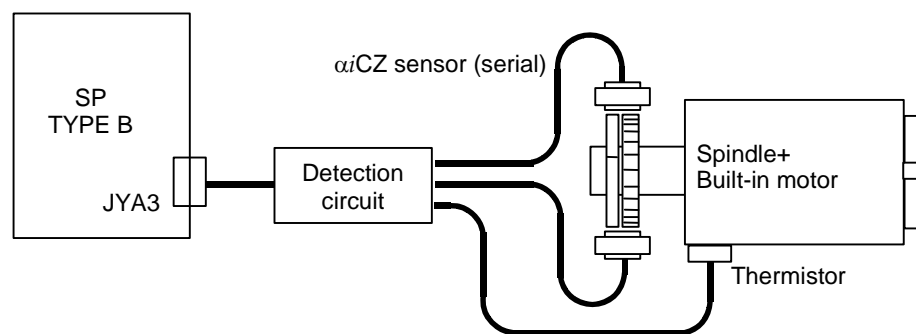
[Sample system configuration]

α iBZ sensor or α iCZ sensor (analog)



(2) When the α iCZ sensor (serial) is used

[Sample system configuration]



2.3.4 List of I/O Signals (CNC↔PMC)

For this subsection, see Subsection 2.3.4, “List of I/O Signals (CNC↔PMC)”, in Part I.

2.3.5 Sequence

For this subsection, see Subsection 2.3.5, “Sequence”, in Part I.

2.3.6 Related Parameters

Parameter No.			Description	
15i	16i	16i		
-	5210	5210	M code of rigid tapping command	
5606#6	5202#0 (M series only)	5202#0	Whether to perform orientation (reference position return) when starting rigid tapping	
-	3706#1,#0 3707#1,#0	-	Gear ratio between spindle and position coder, 1:1, 1:2, 1:4, 1:8	
5842	-	3720	Number of pulse of the position coder	
-	5200#1	-	Selection of arbitrary gear ratio between spindle and position coder	
5852 5855 5858 5861	5221 5222 5223 5224	5221 5222 5223 5224	Teeth number of spindle side at arbitrary gear ratio (command) setting (16i/30i: No. 5224 is used for the T series only.)	
5851 5854 5857 5860	5231 5232 5233 5234	5231 5232 5233 5234		
3065 to 3068	5280 5281 to 5284	5280 5281 to 5284		Position gain of tapping axis at rigid tapping (16i/30i: No. 5284 is used for the T series only.)
5605#1	-	-		Acc./Dec. type (Set to 1.)
5711	5241 5242 5243 5244	5241 5242 5243 5244	Spindle maximum speed at rigid tapping (16i/30i: No. 5244 is used for the T series only.)	
5605#2 5757 5886 5889 5892	- - - - -	- - - - -		Spindle speed for determining an acceleration value for cutting feed on rigid tapping
5605#2 5751 5886 5889 5892	5261 5262 5263 5264	5261 5262 5263 5264	Acc./Dec. time constant (16i/30i: No. 5264 is used for the T series only.)	
5605#2 5752 5885 5888 5891 5894	- - - - -	- - - - -	FL speed for spindle and drilling axis acceleration/deceleration on rigid tapping	
-	5200#4	5200#4	Override selection at extracting	
5883	5211	5211	Override value at extracting	
-	5201#2 5271 to 5274	5201#2 5271 to 5274	Time constant at extracting (No. 5274 is used for the T series only.)	
-	-	5203#2	Feed-forward function at rigid tapping	
1827	5300	5300	In-position width of tapping axis	
5875	5301	5301	In-position width of spindle	
1837	5310 5341	5310	Allowable level of position error of tapping axis at moving	
5876	5311	5311	Allowable level of position error of spindle at moving	
1829	5312	5312	Allowable level of position error of tapping axis at stop	
5877	5313	5313	Allowable level of position error of spindle at stop	

Parameter No.			Description
15i	16i	16i	
5853 5856 5859 5862	5321 to 5324	5321 to 5324	Backlash of spindle (16i: No. 5322 and No. 5324 are used for the T series only. 30i: No. 5324 is used for the T series only.)
3000#4	4000#4	4000#4	Reference position return direction on servo mode
3002#5	4002#5	4002#5	Whether to enable the rotation direction signal (SFR/SRV) on servo mode
3006#7	4006#7	4006#7	Setting of the command arbitrary gear ratio function (CMR) on rigid tapping
-	-	4037	Velocity loop feed-forward coefficient
3044 3045	4044 4045	4044 4045	Velocity loop proportional gain on servo mode/spindle synchronous control (It is selected by input signal CTH1A/B.)
3052 3053	4052 4053	4052 4053	Velocity loop integral gain on servo mode/spindle synchronous control (It is selected by input signal CTH1A/B.)
3056 to 3059	4056 to 4059	4056 to 4059	Gear ratio between spindle and motor (It is selected by input signal CTH1A or CTH2A)
3065 to 3068	4065 to 4068	4065 to 4068	Spindle position gain on servo mode/spindle synchronous control (It is selected by input signal CTH1A or CTH2A)
3073	4073	4073	Grid shift amount on servo mode
3074	4074	4074	Reference position return speed on Cs contouring control/servo mode
3091	4091	4091	Position gain change ratio at reference position return time on servo mode
-	-	4344	Advanced preview feed-forward coefficient
3406	4406	4406	Acceleration/deceleration time constant for Cs contouring control/servo mode

NOTE

- 1 For the parameters related to detectors, see Section 1.3, "PARAMETERS RELATED TO DETECTORS" in the Part I.
- 2 For velocity loop proportional/integral gain adjustment, see Section 4.1, "VELOCITY LOOP GAIN ADJUSTMENT", in Part I.

2.3.7 Details of Related Parameters

This subsection details the serial spindle parameters (in the four thousands for 16i, and in the four thousands for 30i, and in the three thousands for 15i) among the parameters related to rigid tapping. For details of other parameters, refer to the Connection Manual (Function) of each CNC.

- (a) For Series 16i/18i/21i
 “FANUC Series 16i/18i/21i-MODEL B
 CONNECTION MANUAL (FUNCTION) : B-63523EN-1
 Refer to Section 9.11, “RIGID TAPPING.”
- (b) For Series 30i/31i/32i
 “FANUC Series 30i/31i/32i-MODEL A
 CONNECTION MANUAL (FUNCTION) : B-63943EN-1
 Refer to Section 11.11, “RIGID TAPPING.”
- (c) For Series 15i
 “FANUC Series 15i-MODEL B
 CONNECTION MANUAL (FUNCTION) : B-63783EN-1
 Refer to Section 9.8, “RIGID TAPPING.”

15i	16i	30i	#7	#6	#5	#4	#3	#2	#1	#0
3000	4000	4000				RETSV				

- RETSV** Reference position return direction on servo mode (rigid tapping/spindle positioning)
- 0 : The spindle performs a reference position return operation in the CCW(counter-clockwise) direction.
 - 1 : The spindle performs a reference position return operation in the CW(clockwise) direction.

15i	16i	30i	#7	#6	#5	#4	#3	#2	#1	#0
3002	4002	4002			SVMDRT					

- SVMDRT** Whether to enable the rotation direction signal (SFR/SRV) function on servo mode (rigid tapping/spindle positioning)
- 0 : Enables the rotation direction function.
 If a move command from the CNC is positive (+),
 - (a) The spindle rotates in the CCW direction when the input signal SFR (bit 5 of G70) = 1.
 - (b) The spindle rotates in the CW direction when the input signal SRV (bit 4 of G70) = 1.
 - 1 : Disables the rotation direction function.
 If a move command from the CNC is positive (+), the spindle rotates in the CCW direction when the input signal SFR = 1 or SRV = 1.

15i	16i	30i	#7	#6	#5	#4	#3	#2	#1	#0
3006	4006	4006	RGTCMR							

RGTCMR Sets the command arbitrary gear ratio function (CMR) on rigid tapping.

0 : Disables the command arbitrary gear ratio function.

1 : Enables the specified arbitrary gear ratio function.

Set this parameter to 1 when rigid tapping is performed using a signal from the sensor built-into the motor as a position feedback signal and the gear ratio between the motor and spindle is other than 1:1.

When using the command arbitrary gear ratio function (CMR function), set the following as well:

- Enabling an arbitrary gear ratio between the spindle and position coder (bit 1 of No. 5200 = 1)
- Parameters for the number of gear teeth on the spindle side (No. 5221 to No. 5224)
- Parameters for the number of gear teeth on the position coder side (No. 5231 to No. 5234)

30i

4037

Velocity loop feed-forward coefficient

Unit of data :

Valid data range : 0 to 32767

Standard setting value : 0

This parameter sets a velocity loop feed-forward coefficient for using feed-forward control. Set the result of calculation of the following expression:

$$\text{Setting} = 214466 \times \frac{[\text{spindle inertia} + \text{rotor inertia}](\text{kg}\cdot\text{m}^2)}{\text{Maximum motor torque (N}\cdot\text{m)}}$$

15i 16i 30i

3044 4044 4044

Velocity loop proportional gain on servo mode/spindle synchronous control (HIGH)	CTH1A=0
---	----------------

3045 4045 4045

Velocity loop proportional gain on servo mode/spindle synchronous control (LOW)	CTH1A=1
--	----------------

Unit of data :

Valid data range : 0 to 32767

Standard setting value : 10

These parameters set a velocity loop proportional gain on servo mode (rigid tapping/spindle positioning) or spindle synchronous control.

When the input signal CTH1A = 0, (HIGH) is selected. When the input signal CTH1A = 1, (LOW) is selected.

15i 16i 30i
 3052 4052 4052
 3053 4053 4053

Velocity loop integral gain on servo mode/spindle synchronous control (HIGH) CTH1A=0
Velocity loop integral gain on servo mode/spindle synchronous control (LOW) CTH1A=1

Unit of data :
 Valid data range :
 Standard setting value :

0 to 32767
 10

These parameters set a velocity loop integral gain on servo mode (rigid tapping/spindle positioning) or spindle synchronous control. When the input signal CTH1A = 0, (HIGH) is selected. When the input signal CTH1A = 1, (LOW) is selected.

15i 16i 30i
 3056 4056 4056
 3057 4057 4057
 3058 4058 4058
 3059 4059 4059

Gear ratio (HIGH)	CTH1A=0, CTH2A=0
Gear ratio (MEDIUM HIGH)	CTH1A=0, CTH2A=1
Gear ratio (MEDIUM LOW)	CTH1A=1, CTH2A=0
Gear ratio (LOW)	CTH1A=1, CTH2A=1

Unit of data :
 Valid data range :
 Standard setting :

(Motor rotation for one rotation of spindle) / 100
 (When parameter No. 4006 #1 (GRUNIT) is 1, motor rotation / 1000)

0 to 32767

100

These data are used to set the gear ratio between spindle and spindle motor. Usually, set 100.

NOTE

When an improper value is set in these parameters, an unexpected operation can occur. For example, the spindle can continue rotating without stopping at the time of orientation. So, be sure to set a proper gear ratio.

15i	16i	30i
3065	4065	4065
3066	4066	4066
3067	4067	4067
3068	4068	4068

Spindle position gain on servo mode/spindle synchronous control (HIGH) CTH1A=0, CTH2A=0
Spindle position gain on servo mode/spindle synchronous control (MEDIUM HIGH) CTH1A=0, CTH2A=1
Spindle position gain on servo mode/spindle synchronous control (MEDIUM LOW) CTH1A=1, CTH2A=0
Spindle position gain on servo mode/spindle synchronous control (LOW) CTH1A=1, CTH2A=1

Unit of data : 0.01sec⁻¹
 Valid data range : 0 to 32767
 Standard setting value : 1000

These parameters set a position gain on servo mode (rigid tapping/spindle positioning) or spindle synchronous control. A parameter is selected according to the input signals CTH1A and CTH2A.

15i	16i	30i
3073	4073	4073

Grid shift amount on servo mode
--

Unit of data : 1 pulse unit (360 degrees/4096)
 Valid data range : 0 to 4095
 Standard setting value : 0

This parameter is used to shift the reference position on servo mode (rigid tapping/spindle positioning). The reference position of the spindle is shifted in the CCW direction by the specified number of pulses.

15i	16i	30i
3074	4074	4074

Reference position return speed on Cs contouring control/servo mode
--

Unit of data : 1min⁻¹
 Valid data range : 0 to 32767
 Standard setting value : 0

- When 0 is set
The orientation speed is the reference position return speed in servo mode (rigid tapping/spindle positioning).
- When a value other than 0 is set
The value set in this parameter is used as a reference position return speed on servo mode (rigid tapping/spindle positioning).

15i 16i 30i
3091 4091 4091

Position gain change ratio at reference position return time on servo mode

Unit of data : 1%
Valid data range : 0 to 100
Standard setting value : 100

This parameter sets a position gain change ratio at reference position return time on servo mode (rigid tapping, spindle positioning, and so forth).

NOTE

An overshoot can occur at reference position return time for a cause such as an excessively high reference position return speed and an excessively large spindle inertia. In this case, an overshoot can be avoided by setting a small value in this parameter.

15i 16i 30i
- - 4344

Advanced preview feed-forward coefficient

Unit of data : 0.01%
Valid data range : 0~10000
Standard setting value : 0

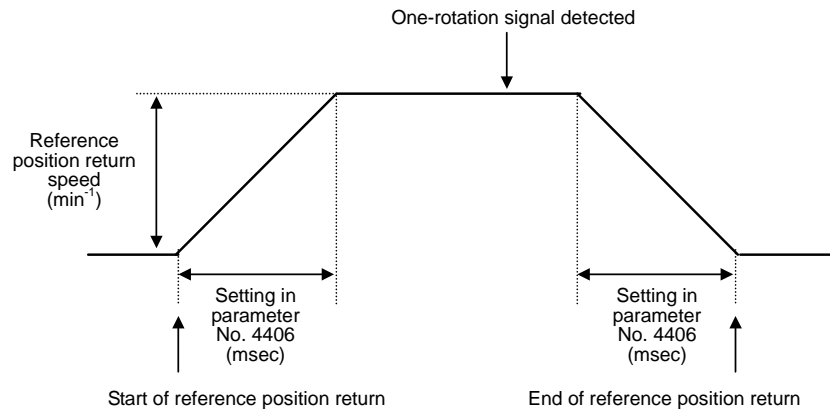
This parameter sets a feed-forward coefficient for using feed-forward control. Set the same value as for the servo axis simultaneously subjected to interpolation.

15i 16i 30i
3406 4406 4406

Acceleration/deceleration time constant for reference position return on Cs contouring control/servo mode

Unit of data : 1msec
Valid data range : 0~32767
Standard setting value : 0

This parameter sets a reference position return acceleration for Cs contouring control or servo mode (rigid tapping/spindle positioning). Use of this parameter can reduce the shock due to acceleration/deceleration during return to the reference position. The spindle speed command during return to the reference position is then given as follows:



NOTE

- 1 When 0 is set in this parameter, a velocity command is assumed as follows.
 - Before detecting the one-rotation signal: Reference position return speed (step-type velocity command)
 - After detecting the one-rotation signal: Distance to the reference position \times Position gain
- 2 This parameter is enabled when soft start/stop signal SOCNA is 1.

2.3.8 Parameter Setting Procedure

For this subsection, see Subsection 2.3.8, “Parameter Setting Procedure”, in Part I.

2.3.9 Adjustment Procedure

(1) Parameters used for adjustment

The table below lists and describes the parameters used for adjusting rigid tapping.

Parameter No. (FS16i)	Description
5241 to 5244	Maximum spindle speed on rigid tapping (Depends on the GR signal. No. 5244 is for the T series only.)
5261 to 5264	Acceleration/deceleration time constant on rigid tapping (Depends on the GR signal. No. 5264 is for the T series only.)
5280 to 5284	Position gain of tapping axis on rigid tapping (No. 5280 is for all gears. Nos. 5281 to 5284 depend on the GR signal. No. 5284 is for T series only.)
4065 to 4068	Spindle position gain on rigid tapping (depends on CTH1A and CTH2A signals)
4044 to 4045	Velocity loop proportional gain on rigid tapping (depends on CTH1A signal)
4052 to 4053	Velocity loop integral gain on rigid tapping (depends on CTH1A signal)

(2) Spindle data used for adjustment

Adjust the parameters while observing the motor speed, torque command, velocity error, synchronous error, and other waveform by using a spindle check board and oscilloscope or SERVO GUIDE. The table below lists spindle check board settings for observing the waveform.

Check board setting address		Settings	Observing data
Output to CH1	Output to CH2		
d-05	d-09	25	Velocity error ±128 min ⁻¹ at ±5 V ±256min ⁻¹ at ±5 V if d-06 (d-10) is set to 13
d-06	d-10	12	
d-07	d-11	0	
d-08	d-12	1	
d-05	d-09	90	Torque command Maximum positive/negative torque command at ±5 V Maximum positive/negative torque command at ±2.5 V if d-06 (d-10) is set to 8
d-06	d-10	7	
d-07	d-11	0	
d-08	d-12	1	
d-05	d-09	68	Synchronous error (value converted for the spindle: 4096 pulses/rev) ±128 pulses at ±5 V ±256 pulses at ±5 V if d-06 (d-10) is set to 1 ±512 pulses at ±5 V if d-06 (d-10) is set to 2
d-06	d-10	0	
d-07	d-11	0	
d-08	d-12	1	
d-05	d-09	19	Motor speed ±8192 min ⁻¹ at ±5 V ±4096 min ⁻¹ at ±5 V if d-06 (d-10) is set to 17 ±2048 min ⁻¹ at ±5 V if d-06 (d-10) is set to 16
d-06	d-10	18	
d-07	d-11	0	
d-08	d-12	1	

NOTE

When observing the synchronous error of Series 16*i*, set the following parameters:

No. 3700, #7 = 1:

Uses the synchronous error output (maintenance function).
(Return the setting to 0 after the observation is completed.)

No. 5203, #7 = 1 :

Sets a synchronous error update cycle.

(Return the setting to 0 after the observation is completed.)

No. 5204, #0 = 0 :

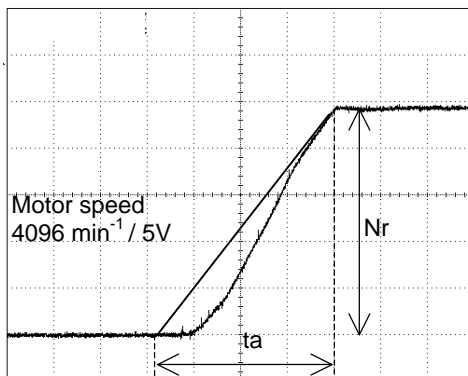
Displays the synchronous error on the diagnosis screen.

(3) Adjustment procedure**(3)-1 Specifying an acceleration/deceleration time constant (1):****Specifying a provisional value**

Before optimizing the acceleration/deceleration time constant, adjust the gain to improve the response. Following (a) or (b) below, specify a provisional acceleration/deceleration time constant according to the target maximum speed.

(a) Specifying a provisional time constant according to the velocity waveform in actual acceleration/deceleration

Observe the motor velocity waveform (velocity control mode) in acceleration up to the maximum rigid tapping speed. Specify such a provisional time constant that the inclination (acceleration) during rigid tapping acceleration becomes about a half of the inclination of a tangent to the motor velocity waveform near the location of maximum speed. See the sample waveform shown below.



Nr: Maximum rigid tapping speed (No. 5241 to 5244)
4000 min⁻¹ in this example
ta: Time of acceleration by the maximum torque at *Nr*
About 400 ms in this example
tr: Rigid tapping acceleration/deceleration time constant
(No. 5261 to 5264) 800 ms, which is two times *ta*, in this example

In this example, the maximum rigid tapping speed *Nr* is set to 4000 min⁻¹. To determine the acceleration/deceleration time constant, the motor velocity waveform in acceleration up to 4000 min⁻¹ is observed. If the acceleration is performed with the maximum motor torque at 4000 min⁻¹, the acceleration time *ta* needed to attain 4000 min⁻¹ is about 400 ms, as shown above. This is the minimum value of acceleration/deceleration time constant *tr*, which can be specified without consideration of cutting load. A time constant that can be specified in consideration of cutting load is usually about 1.2 to 1.5

times this value. As a provisional value for gain adjustment, approximately double (800 ms) is specified here.

(b) Specifying a value calculated from the relationship between the maximum torque and spindle inertia

Specify an acceleration/deceleration time constant calculated from the following expression:

$$tr[\text{ms}] = \frac{Jm[\text{kgm}^2] + JL[\text{kgm}^2]}{T_{\max}(Nr)[\text{Nm}]} \times \frac{2\pi}{60} \times Nr[\text{min}^{-1}] \times GR \times 1000 \times 2$$

$tr[\text{ms}]$: Acceleration/deceleration time constant on rigid tapping (No. 5261 to 5264)

$Nr[\text{min}^{-1}]$: Maximum spindle speed on rigid tapping (No. 5241 to 5244)

GR : Spindle-motor gear ratio (Motor rotation per spindle rotation)

$T_{\max}(Nr)$ [Nm]: Maximum torque of spindle motor at Nr

$Jm[\text{kgm}^2]$: Rotor inertia of spindle motor

$JL[\text{kgm}^2]$: Spindle load inertia(converted for the motor shaft)

(3)-2 Specifying a position gain

Specify an initial value of about 2000(20 sec⁻¹) to 3000(30 sec⁻¹), then adjust the value as needed. Basically, specify identical values for the spindle and tapping axis.

After specifying the position gain, check whether the spindle is operating as designed. For that purpose, check that the position error (value displayed on the CNC screen) during stable rotation at the maximum speed is almost the same as the theoretical value. This theoretical value is calculated as shown below. If the theoretical value is substantially different, re-check the parameters related to position gain, gear ratio, and detector.

$$Perr(Nr)[pulse] = \frac{Nr[\text{min}^{-1}]}{60} \times 4096[pulse/rev] \times \frac{1}{PG[\text{sec}^{-1}]}$$

$Perr(Nr)$ [pulse] : Position error in stable rotation at Nr

Nr [min⁻¹] : Maximum speed on rigid tapping

PG [sec⁻¹] : Position gain on rigid tapping

If the gear ratio is 1:1 at $Nr=4000$ min⁻¹ and $PG=3000$ (30 sec⁻¹), the position error in stable rigid tapping at Nr is calculated as follows:

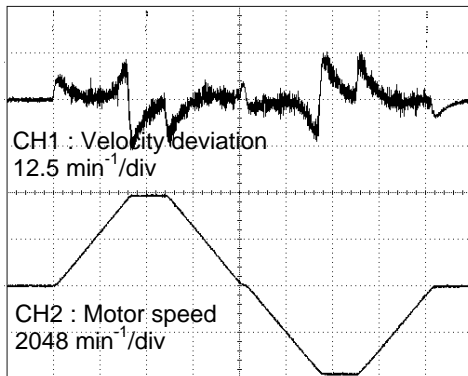
$$Perr(Nr) = \frac{4000}{60} \times 4096 \times \frac{1}{30} = 9102[pulse]$$

(3)-3 Specifying a velocity loop gain

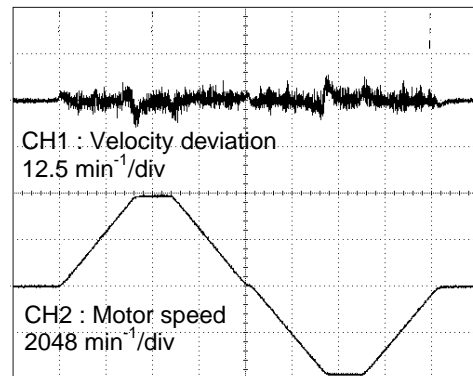
Refer to Section 4.1, “VELOCITY LOOP GAIN ADJUSTMENT” for details of the velocity loop proportional/integral gain. Adjust the velocity loop proportional/integral gain so that the velocity error decreases.

During the adjustment, observe the velocity error and motor speed. Sample waveforms before and after the adjustment are shown below:

(a) Waveform before adjustment (No. 4044 = 10, No. 4052 = 10)



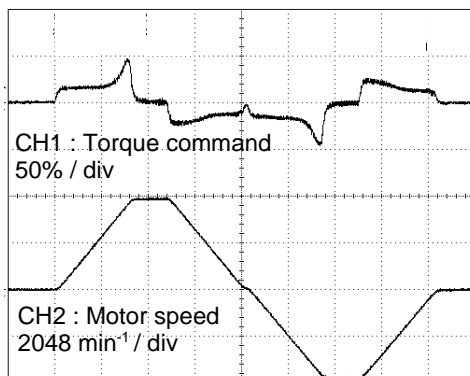
(b) Waveform after adjustment (No. 4044 = 20, No. 4052 = 60)



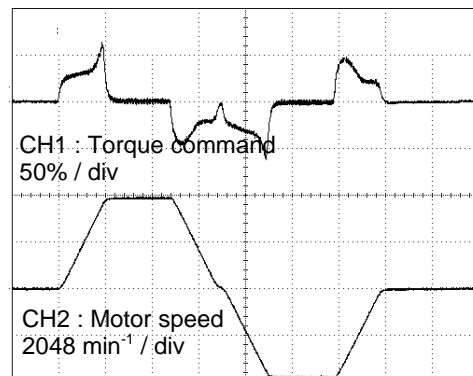
(3)-4 Specifying an acceleration/deceleration time constant (2) : Specifying an optimum value

Observing the torque command and motor speed, make a final adjustment of the time constant. Adjust the time constant in consideration of the actual cutting load, so that the peak torque at air cut becomes about 70% to 80% (3.5 to 4.0 V) of the maximum value. Sample waveforms before and after the adjustment are shown below:

(a) Waveform before adjustment (No. 5261 = 800)



(b) Waveform after adjustment (No. 5261 = 480)



(3)-5 Checking the synchronous error

The spindle adjustment ends when the adjustments described in above procedures are completed. After the spindle adjustment, check the synchronous error between the spindle and servo axis, which will be an index of rigid tapping precision.

The synchronous error is a difference between the spindle position error and the servo axis position error converted for the spindle.

$$SYNCER[\text{pulse}] = PER_{sp}[\text{pulse}] - PER_{sv}[\text{pulse}]$$

SYNCER [pulse]:Synchronous error

(4096 pulses per spindle rotation)

PER_{sp} [pulse]:Spindle position error

PER_{sv} [pulse]:Servo axis position error converted for the spindle

2.3.10 Diagnosis (Diagnosis Screen)

For this subsection, see Subsection 2.3.10, “Diagnosis (Diagnosis Screen)”, in Part I.

2.3.11 Alarm

For this subsection, see Subsection 2.3.11, “Alarm”, in Part I.

2.4 Cs CONTOURING CONTROL (OPTIONAL FUNCTION)

2.4.1 Start-up Procedure

For this subsection, see Subsection 2.4.1, “Start-up Procedure”, in Part I.

2.4.2 Overview

For this subsection, see Subsection 2.4.2, “Overview”, in Part I.

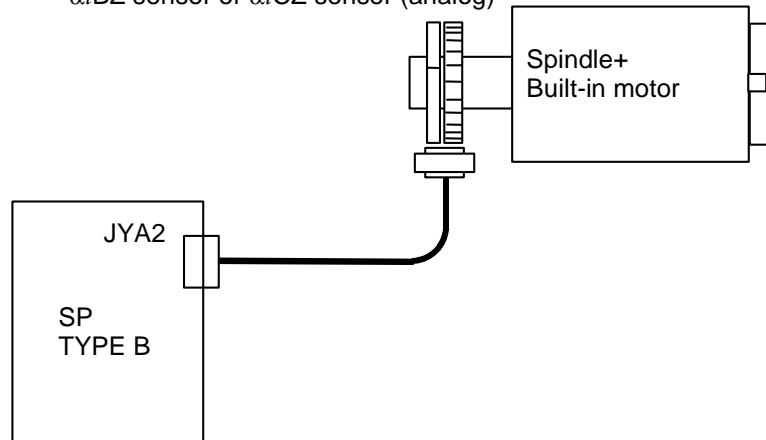
2.4.3 System Configuration

The system configurations that enable the use of the Cs contouring control function are shown below.

(1) When the αiBZ sensor or αiCZ (analog) sensor is used

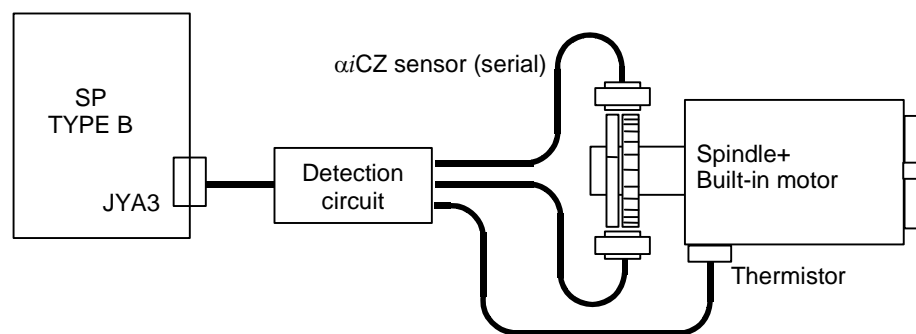
[Sample system configuration]

αiBZ sensor or αiCZ sensor (analog)



(2) When the αiCZ (serial) sensor is used

[Sample system configuration]



NOTE

In a configuration in which the α iCZ sensor (serial) is used as the motor sensor, if Cs contouring control is to be performed immediately after the power is turned on, use spindle software 9D80 series H (08) edition or later.

2.4.4 List of I/O Signals (CNC↔PMC)

For this subsection, see Subsection 2.4.4, “List of I/O Signals (CNC↔PMC)”, in Part I.

2.4.5 Examples of Sequences

For this subsection, see Subsection 2.4.5, “Examples of Sequences”, in Part I.

2.4.6 Velocity Loop Gains Override Function on Cs Contouring Control Mode

For this subsection, see Subsection 2.4.6, “Velocity Loop Gains Override Function on Cs Contouring Control Mode”, in Part I.

2.4.7 Related Parameters

Parameter No.			Description
15i	16i	30i	
1005#0	1005#0	1005#0	Whether to use the reference position return function
1005#2	-	-	Sets automatic reference position return (G28). (Set "0".)
1005#3	-	-	Set workpiece coordinate system preset at automatic reference position return time. (Set "1".)
1600#2,#1,#0	1006#2	1006#2	Sets a linear axis/rotation axis. (Set "1".)
1600#3	-	-	Sets a radius for a move command/rotation axis. (Set "0".)
1804#7	-	-	Sets a Cs contouring control axis with a serial spindle. (Set "1".)
2203#1	-	-	Sets machine position display on the CRT. (Set "1".)
-	3700#1	3700#1	Specifies whether to enable the reference position return function for the first G00 command received after switching to Cs contouring control.
-	3712#2	3712#2	Sets the Cs axis coordinate establishment function.
1012 #3,#2,#1,#0	1004 #1,#0	1013 #3,#2,#1,#0	Increment system (Usually, set and use IS-B.)
1020	1020	1020	Program axis name
-	1022	1022	Sets an axis of the basic coordinate system. (Set "0".)
1023	1023	1023	Servo axis number (Set "-1".)
1028	-	-	Spindle number of Cs contouring control axis
1260	-	1260	Movement per rotation of rotation axis (Set "360.0".)
1420	1420	1420	Rapid traverse rate
1620	1620	1620	Linear acceleration/deceleration time constant for rapid feed
1820	1820	1820	Command multiplication (Usually, set "2" [= CMR 1].)
5879	1826	1826	In-position width
5880	1828	1828	Position error limit during movement
5881	1829	1829	Position error limit when stopped
5882	-	-	Position error limit when the servo system is off
5609#0	-	-	Sets a position gain for a servo axis subject to interpolation with the Cs contouring control axis. ("0": Automatically set, "1": Not automatically set. Usually, set "0".)
-	3900 3910 3920 3930 3940	3900 3910 3920 3930 3940	Servo axis number subject to interpolation with the Cs contouring control axis
-	3901 to 3904 3911 to 3914 3921 to 3924 3931 to 3934 3941 to 3944	3901 to 3904 3911 to 3914 3921 to 3924 3931 to 3934 3941 to 3944	Position gain of a servo axis subject to interpolation with the Cs contouring control axis
5843	-	-	Number of pulses of position detector for Cs contouring control
3000#1	4000#1	4000#1	Spindle rotation direction for a positive motion command on Cs contouring control mode
3000#3	4000#3	4000#3	Direction of reference position return when the system enters Cs contouring control mode
3002#4	4002#4	4002#4	Whether to use the rotation direction signal (SFR/SRV) function on Cs contouring control
3005#0	4005#0	-	Sets the detection unit for Cs contouring control.
3016#3	4016#3	4016#3	Sets the smoothing function in feed-forward control.
3021	4021	4021	Maximum spindle speed on Cs contouring control mode
3036	4036	-	Feed-forward coefficient

Parameter No.			Description
15i	16i	30i	
3037	4037	4037	Velocity loop feed-forward coefficient
3046	4046	4046	Velocity loop proportional gain on Cs contouring control mode
3047	4047	4047	(A parameter is selected by the CTH1A input signal sent from the PMC.)
3054	4054	4054	Velocity loop integral gain on Cs contouring control mode
3055	4055	4055	(A parameter is selected by the CTH1A input signal sent from the PMC.)
3056 to 3059	4056 to 4059	4056 to 4059	Spindle-to-motor gear ratio
			(A parameter is selected by the CTH1A and CTH2A input signals sent from the PMC.)
3069 to 3072	4069 to 4072	4069 to 4072	Position gain for axes subject to Cs contouring control
			(A parameter is selected by the CTH1A input signal sent from the PMC.)
3074	4074	4074	Feedrate for reference position return on Cs contouring control mode or servo mode
3092	4092	4092	Rate of change in the position gain when reference position return is performed on Cs contouring control mode
3094	4094	4094	Disturbance torque compensating constant (acceleration feedback gain)
3131	4131	4131	Velocity detection filter time constant (on Cs contouring control)
3135	4135	4135	Grid shift on Cs contouring control mode
3162	4162	4162	Velocity loop integral gain for cutting feed on Cs contouring control
3163	4163	4163	(A parameter is selected by the PMC input signal CTH1A.)
3342	4342	4342	Velocity loop gain override in Cs contouring control.
3343	4343	4343	(These parameters are selected by the input signal CTH1A of PMC.)
-	-	4344	Advanced preview feed-forward coefficient
-	4353#5	4353#5	Sets the Cs axis position data transfer function.
3406	4406	4406	Acceleration/deceleration time constant at return to the reference position in Cs contouring control/servo mode

NOTE

- 1 For the detector-related parameters, see Section 1.3, "PARAMETERS RELATED TO DETECTORS", in Part IV.
- 2 For velocity loop proportional/integral gain adjustment, see Section 4.1, "VELOCITY LOOP GAIN ADJUSTMENT", in Part IV.

2.4.8 Details of Related Parameters

This subsection details the serial spindle parameters (in the four thousands for 16*i*, in the four thousands for 30*i*, and in the three thousands for 15*i*) among the parameters related to Cs contouring control. For details of other parameters, refer to the Connection Manual (Function) of each CNC.

(a) For Series 16*i*/18*i*/21*i*

“FANUC Series 16*i*/18*i*/21*i*-MODEL B

CONNECTION MANUAL (FUNCTION) : B-63523EN-1

Refer to Section 9.9, “Cs CONTOUR CONTROL.”

(b) For Series 30*i*/31*i*/32*i*

“FANUC Series 30*i*/31*i*/32*i*-MODEL A

CONNECTION MANUAL (FUNCTION) : B-63943EN-1

Refer to Section 11.9, “Cs CONTOUR CONTROL.”

(c) For Series 15*i*

“FANUC Series 15*i*-MODEL B

CONNECTION MANUAL (FUNCTION) : B-63783EN-1

Refer to Section 9.7, “Cs CONTOUR CONTROL.”

15 <i>i</i>	16 <i>i</i>	30 <i>i</i>	#7	#6	#5	#4	#3	#2	#1	#0
3000	4000	4000					RETRN		ROTA2	

ROTA2 Indicates the spindle direction by the move command (+). (Only effective on Cs contouring control)

0 : When the value of a move command from the CNC is positive (+), the spindle rotates in the CCW direction.

1 : When the value of a move command from the CNC is positive (+), the spindle rotates in the CW direction.

Change the setting of this parameter when changing the rotation direction of the spindle on Cs contouring control.

RETRN Indicates the reference position return direction on Cs contouring control.

0 : Returns the spindle from the CCW direction to the reference position (counterclockwise direction).

1 : Returns the spindle from the CW direction to the reference position (clockwise direction).

15i	16i	30i	#7	#6	#5	#4	#3	#2	#1	#0
3002	4002	4002				CSDRCT				

CSDRCT Whether to use the rotation direction signal (SFR/SRV) on Cs contouring control

0 : Rotation direction function enabled

- (1) When bit 1 (ROTA2) of No. 4000 = 0, and the value of a move command from the CNC is positive (+)
 - (a) The spindle rotates counterclockwise when input signal SFR(G70#5) is set to 1.
 - (b) The spindle rotates clockwise when input signal SRV(G70#4) is set to 1.
- (2) When bit 1 (ROTA2) of No. 4000 = 1, and the value of a move command from the CNC is positive (+)
 - (a) The spindle rotates clockwise when input signal SFR(G70#5) is set to 1.
 - (b) The spindle rotates counterclockwise when input signal SRV(G70#4) is set to 1.

1 : Rotation direction function disabled

The rotation direction function of the SFR/SRV signal is disabled. Only the function for enabling spindle motor excitation is available.

- (1) When bit 1 (ROTA2) of parameter No. 4000 is set to 0
When the value of a move command from the CNC is positive (+), and SFR/SRV = 1, the spindle rotates in the CCW direction.
- (2) When bit 1 (ROTA2) of parameter No. 4000 is set to 1
When the value of a move command from the CNC is positive (+), and SFR/SRV = 1, the spindle rotates in the CW direction.

15i	16i	30i	#7	#6	#5	#4	#3	#2	#1	#0
3005	4005	4005								CS360M

CS360M Sets the detection unit for Cs contouring control.

0 : 0.001°

1 : 0.0001°

Set 0 usually. When a α iCZ sensor (analog, serial) is used as the position detector and the setting unit IS-C is used, set 1.

15i	16i	30i	#7	#6	#5	#4	#3	#2	#1	#0
3016	4016	4016					FFSMTH			

FFSMTH Specifies whether to use the smoothing function under feed-forward control.

0 : Does not use the smoothing function.

1 : Uses the smoothing function.

This bit specifies whether to use the smoothing function under feed-forward control on Cs contouring control mode.

15i 16i 30i
3021 4021 4021

Maximum speed on Cs contouring control mode
--

Unit of data : 1min⁻¹
Valid data range : 0 to 32767
Standard setting : 100

This parameter specifies the maximum speed of a spindle operating on Cs contouring control mode.

When 0 is specified as the parameter for the feedrate for reference position return on Cs contouring control mode (parameter No. 4074), reference position return is performed at the speed specified as the maximum speed in this parameter.

15i 16i 30i
3036 4036 -

Feed-forward coefficient

Unit of data : 1%
Valid data range : 0 to 100
Standard setting : 0

Set the feed-forward coefficient when feed-forward control is executed on Cs contouring control.

15i 16i 30
3037 4037 4037

Velocity loop feed-forward coefficient

Unit of data :
Valid data range : 0 to 32767
Standard setting : 0

Set a velocity loop feed-forward coefficient when feed-forward control is executed on Cs contouring control. Use the following expression to determine a value to be set:

$$\text{Setting} = 214466 \times \frac{[\text{spindle inertia} + \text{rotor inertia}](\text{kg}\cdot\text{m}^2)}{\text{Maximum motor torque (N}\cdot\text{m)}}$$

15i 16i 30i
3046 4046 4046
3047 4047 4047

Velocity loop proportional gain on Cs contouring control (HIGH)	CTH1A=0
--	----------------

Velocity loop proportional gain on Cs contouring control (LOW)	CTH1A=1
---	----------------

Unit of data :
Valid data range : 0 to 32767
Standard setting : 30

These parameters specify the proportional gains of the velocity loop on Cs contouring control mode.

When the input signal CTH1A = 0, (HIGH) is selected. When the input signal CTH1A = 1, (LOW) is selected.

15i 16i 30i
 3054 4054 4054
 3055 4055 4055

Velocity loop integral gain on Cs contouring control (HIGH)	CTH1A=0
Velocity loop integral gain on Cs contouring control (LOW)	CTH1A=1

Unit of data :
 Valid data range : 0 to 32767
 Standard setting : 50

These parameters specify the integral gains of the velocity loop for Cs contouring control mode.

When the input signal CTH1A = 0, (HIGH) is selected. When the input signal CTH1A = 1, (LOW) is selected.

15i 16i 30i
 3056 4056 4056
 3057 4057 4057
 3058 4058 4058
 3059 4059 4059

Gear ratio (HIGH)	CTH1A=0, CTH2A=0
Gear ratio (MEDIUM HIGH)	CTH1A=0, CTH2A=1
Gear ratio (MEDIUM LOW)	CTH1A=1, CTH2A=0
Gear ratio (LOW)	CTH1A=1, CTH2A=1

Unit of data : (Motor rotation for one rotation of spindle) / 100
 (When parameter No. 4006 #1 (GRUNIT) is 1, motor rotation / 1000)
 Valid data range : 0 to 32767
 Standard setting : 100

These parameters set the gear ratio of the spindle motor to the spindle. Usually, set 100.

NOTE

When an improper value is set in these parameters, an unexpected operation can occur. For example, the spindle does not stop but keeps rotating at the time of orientation. So, be sure to set a proper gear ratio.

15i 16i 30i
 3069 4069 4069
 3070 4070 4070
 3071 4071 4071
 3072 4072 4072

Position gain on Cs contouring control (HIGH)	CTH1A=0, CTH2A=0
Position gain on Cs contouring control (MEDIUM HIGH)	CTH1A=0, CTH2A=1
Position gain on Cs contouring control (MEDIUM LOW)	CTH1A=1, CTH2A=0
Position gain on Cs contouring control (LOW)	CTH1A=1, CTH2A=1

Unit of data : 0.01sec^{-1}
 Valid data range : 0 to 32767
 Standard setting : 3000

These parameters specify the position gains used on Cs contouring control mode.

A parameter is selected by the input signals CTH1A and CTH2A.

15i 16i 30i
3074 4074 4074

Speed for return to reference position on Cs contouring control mode/servo mode

Unit of data : 1min^{-1}
Valid data range : 0 to 32767
Standard setting : 0

- When 0 is set
The value set in No. 4021 (maximum spindle speed) is used as a reference position return speed on Cs contouring control.
- When a value other than 0 is set
The value set in this parameter is used as a reference position return speed on Cs contouring control.

NOTE

An overshoot can occur at reference position return time for a cause such as an excessively high reference position return speed by setting the parameter No. 4021 (maximum spindle speed on Cs contouring control mode). In this case, set this parameter.

15i 16i 30i
3092 4092 4092

The reduction rate of position loop gain in returning to the reference position on Cs contouring mode

Unit of data : 1%
Valid data range : 0 to 100
Standard setting : 100

This parameter specifies a rate of change in the position gain used for reference position return on Cs contouring control mode.

NOTE

An overshoot can occur at reference position return time for a cause such as an excessively high reference position return speed and an excessively large spindle inertia. In this case, an overshoot can be avoided by setting a small value in this parameter.

15i 16i 30i
3094 4094 4094

The constant of the torque disturbance compensating (Acceleration feedback gain)

Unit of data :
Valid data range : 0 to 32767
Standard setting : 0

This parameter specifies the constant for compensating for a disturbance torque on Cs contouring control mode.

NOTE

By setting this parameter, stability in cutting can be improved.

In this parameter, set a value from 500 to 2000.

Do not set a value exceeding 4000.

15i 16i 30i
3131 4131 4131

Velocity detection filter time constant (on Cs contouring control)

Unit of data : 0.1ms
Valid data range : 0 to 10000
Standard setting value : 0

This parameter sets a filter time constant for the velocity feedback signal on Cs contouring control. Usually, set 0.

15i 16i 30i
3135 4135 4135

Grid shift amount on Cs contouring control

Unit of data : 1 pulse unit (=0.001°) (0.0001° when bit 0 (CS360M) of parameter No. 4005 is set to 1)
Valid data range : -360000 to +360000
(When parameter No. 4005 #0 (CS360M) is 1, -3,600,000 to +3,600,000)
Standard setting value : 0

Use this parameter to shift the machine reference position on Cs contouring control.

The machine reference position of the spindle shifts by the set number of pulses in the CCW direction.

15i	16i	30i
3162	4162	4162
3163	4163	4163

Velocity loop integral gain for cutting feed on Cs contouring control(HIGH)	CTH1A=0
Velocity loop integral gain for cutting feed on Cs contouring control(LOW)	CTH1A=1

Unit of data :
 Valid data range : 0 to 32767
 Standard setting value : 0

These parameters set a velocity loop integral gain for cutting feed (G01, G02, G03) on Cs contouring control. When the input signal CTH1A = 0, (HIGH) is selected. When the input signal CTH1A = 1, (LOW) is selected.

NOTE
 When 0 is set in these parameters, the values set in No. 4054 and No. 4055 (velocity loop integral gain on Cs contouring control) are valid.

15i	16i	30i
3342	4342	4342
3343	4343	4343

Velocity loop gain override in Cs contouring control (HIGH)	CTH1A=0
Velocity loop gain override in Cs contouring control (LOW)	CTH1A=1

Unit of data : 1%
 Valid data range : 0~3000
 Standard setting value : 0

These parameters specify override of velocity loop proportional gain and integral gain for Cs contouring control mode. If the set value is "0", it is treated as "100".

NOTE
 This parameter is valid with
 9D50 series S (19) edition or later
 9D70 series I (09) edition or later
 9D80 series C (03) edition or later.

15i	16i	30i
-	-	4344

Advanced preview feed-forward coefficient
--

Unit of data : 0.01%
 Valid data range : 0 to 10000
 Standard setting value : 0

This parameter sets a feed-forward coefficient for exercising feed-forward control when Cs contouring control is used.

15i	16i	30i	#7	#6	#5	#4	#3	#2	#1	#0
-	4353	4353			CSPTRE					

CSPTRE Sets the Cs axis position data transfer function.
 0 : Disables the Cs axis position data transfer function.
 1 : Enables the Cs axis position data transfer function.
 Set this parameter to 1 when using the Cs axis coordinate establishment function.

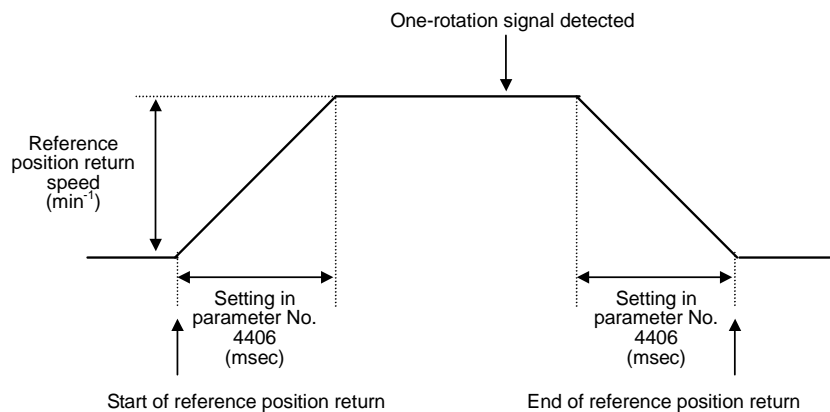
NOTE
 This parameter is valid with
 9D50 series B (02) edition or later
 9D70 series A (01) edition or later
 9D80 series B (02) edition or later.

15i	16i
3406	4406

Acceleration/deceleration time constant for Cs contouring control/servo mode

Unit of data : 1msec
 Valid data range : 0 to 32767
 Standard setting : 0

This parameter set the reference position return acceleration for Cs contouring control or servo mode (rigid tapping/spindle positioning). Use of this parameter can reduce the shock due to acceleration/deceleration during return to the reference position. The spindle speed command during return to the reference position is then given as follows:



NOTE

- 1 When 0 is set in this parameter, a velocity command is assumed as follows.
 - Before detecting the one-rotation signal:
Reference position return speed (step-type velocity command)
 - After detecting the one-rotation signal:
Distance to the reference position × Position gain
- 2 This parameter is enabled when soft start/stop signal SOCNA is 1.

2.4.9 Diagnosis (Diagnosis Screen)

For this subsection, see Subsection 2.4.9, “Diagnosis (Diagnosis Screen)”, in Part I.

2.4.10 Alarm

For this subsection, see Subsection 2.4.10, “Alarm”, in Part I.

2.5 SPINDLE SYNCHRONOUS CONTROL (OPTIONAL FUNCTION)

2.5.1 Start-up Procedure

For this subsection, see Subsection 2.5.1, “Start-up Procedure”, in Part I.

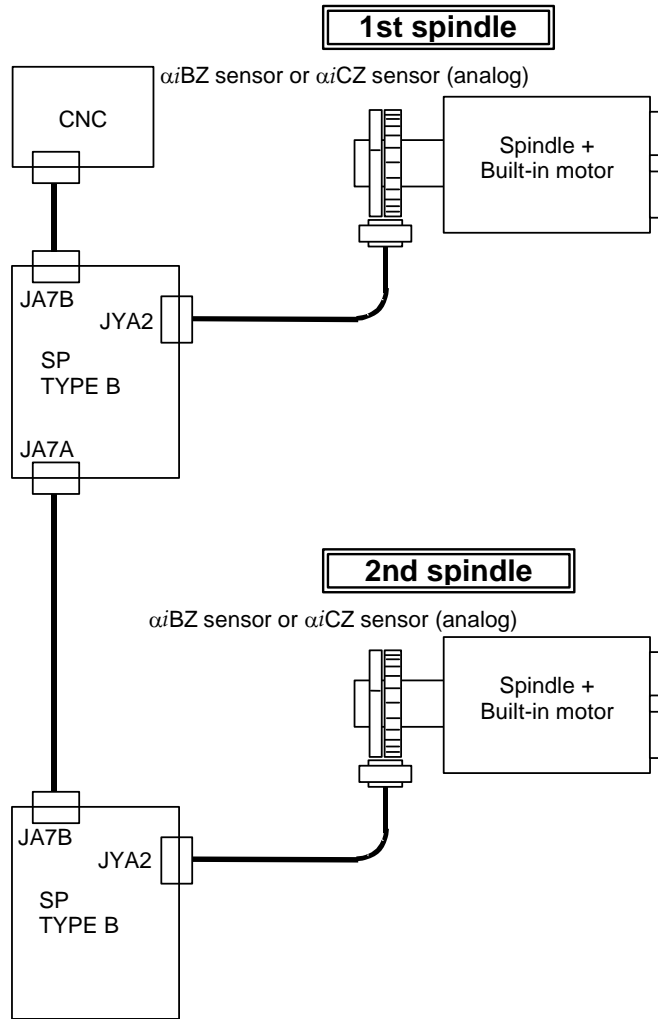
2.5.2 Overview

For this subsection, see Subsection 2.5.2, “Overview”, in Part I.

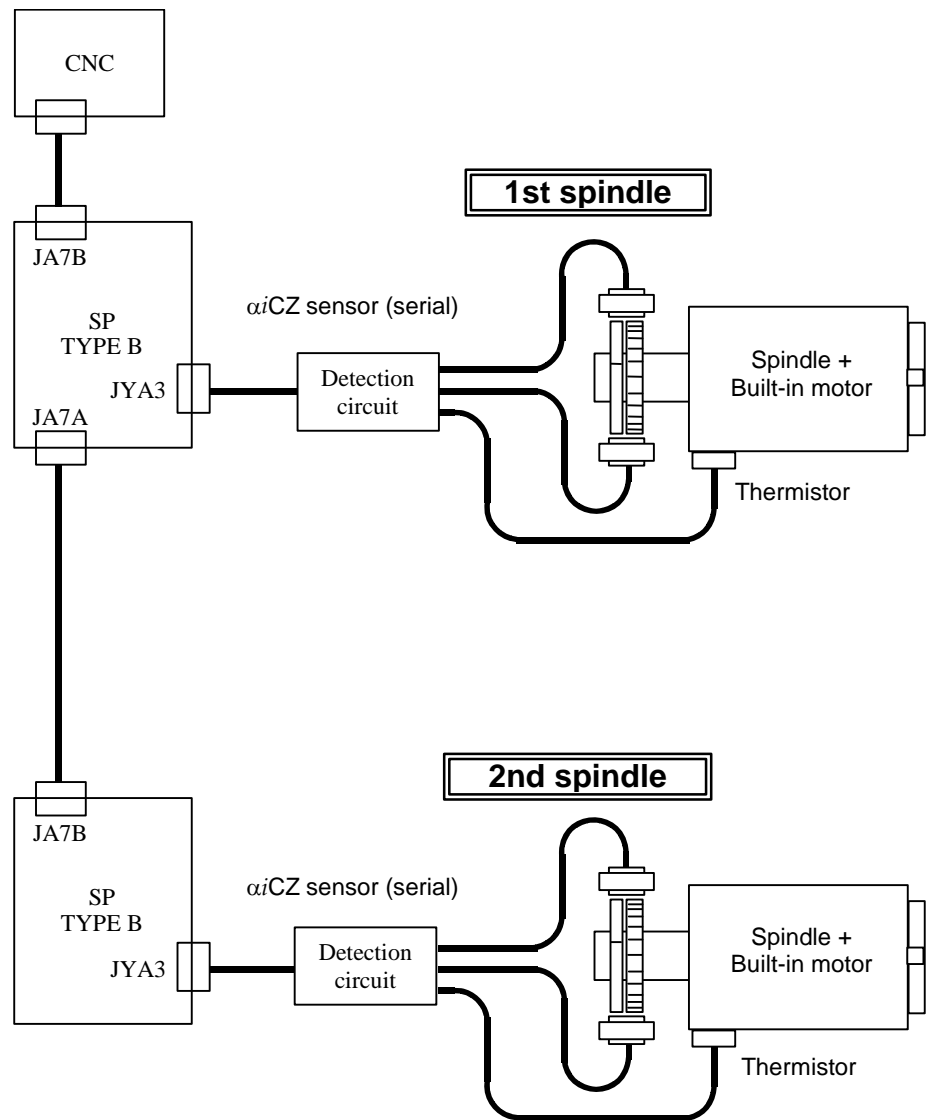
2.5.3 System Configuration

The system configurations that enable the use of the spindle synchronous control function are shown below.

(1) When the α iBZ sensor or α iCZ (analog) sensor is used



(2) When the α iCZ (serial) sensor is used



2.5.4 Explanation of Operation

For this subsection, see Subsection 2.5.4, “Explanation of Operation”, in Part I.

2.5.5 I/O Signals (CNC↔PMC)

For this subsection, see Subsection 2.5.5, “I/O Signals (CNC↔PMC)”, in Part I.

2.5.6 Examples of Sequences

For this subsection, see Subsection 2.5.6, “Examples of Sequences”, in Part I.

2.5.7 Related Parameters

Parameter No.		Description
16i	30i	
4800#0	-	Direction of rotation of the 1st spindle motor while spindle synchronous control is applied
4800#1	-	Direction of rotation of the 2nd spindle motor while spindle synchronous control is applied
-	4801#0	Direction of rotation of each spindle motor while spindle synchronous control is applied
4810	4810	Error pulse difference between the two spindles for which to output the spindle phase synchronous control completion signal
4811	4811	Error pulse difference between the two spindles for which to output the phase synchronous error monitor signal (SYCAL)
4002#6	4002#6	Whether to enable the rotation direction signal (SFR/SRV) function on spindle synchronous control
4006#1	4006#1	Gear ratio increment system
4006#3	4006#3	Setting for disabling automatic one-rotation signal detection at spindle synchronous control mode switching time
4032	4032	Acceleration used for spindle synchronous control (The same value must be set for both the 1st and 2nd spindles.)
4033	4033	Spindle synchronous speed arrival level
4034	4034	Shift amount for spindle phase synchronous control
4035	4035	Compensation data for spindle phase synchronization
4044	4044	Velocity loop proportional gain for spindle synchronous control
4045	4045	(A parameter is selected by the CTH1A PMC input signal.)
4052	4052	Velocity loop integral gain for spindle synchronous control
4053	4053	(A parameter is selected by the CTH1A PMC input signal.)
4056 to 4059	4056 to 4059	Spindle-to-motor gear ratio data (A parameter is selected by the CTH1A and CTH2A PMC input signals.)
4065 to 4068	4065 to 4068	Position gain for spindle synchronous control (The same value must be specified for both the 1st and 2nd spindles.) (A parameter is selected by the CTH1A and CTH2A PMC input signals.)
4336	4336	Magnetic flux switching point used for calculating an acceleration/deceleration time constant used for spindle synchronous control (The same value must be specified for both the 1st and 2nd spindles.)
4340	4340	Bell-shaped acceleration/deceleration time constant for spindle synchronous control (The same value must be specified for both the first and second spindles.)
4346	4346	Incomplete integration coefficient
4515	4515	Excessive speed deviation alarm detection level on spindle synchronous control
4516	4516	Excessive positional deviation alarm detection level on spindle synchronous control

NOTE

- 1 For the detector-related parameters, see Section 1.3, "PARAMETERS RELATED TO DETECTORS", in Part IV.
- 2 For velocity loop proportional/integral gain adjustment, see Section 4.1, "VELOCITY LOOP GAIN ADJUSTMENT", in Part IV.

2.5.8 Details of Related Parameters

This subsection details the serial spindle parameters (in the four thousands for 16*i* and 30*i*) among the parameters related to spindle synchronous control. For details of other parameters, refer to the Connection Manual (Function) of each CNC.

- (a) For Series 16*i*/18*i*/21*i*
 “FANUC Series 16*i*/18*i*/21*i*-MODEL B
 CONNECTION MANUAL (FUNCTION) : B-63523EN-1
 Refer to Section 9.12, “SPINDLE SYNCHRONOUS CONTROL.”
- (b) For Series 30*i*/31*i*/32*i*
 “FANUC Series 30*i*/31*i*/32*i*-MODEL A
 CONNECTION MANUAL (FUNCTION) : B-63943EN-1
 Refer to Section 11.13, “SPINDLE SYNCHRONOUS CONTROL.”

16 <i>i</i>	30	#7	#6	#5	#4	#3	#2	#1	#0
4002	4002		SYCDRT						

SYCDRT Whether to enable the rotation direction signal (SFR/SRV) function on spindle synchronous control

0 : Enables the rotation direction function.
 If a move command from the CNC is positive (+),

- (a) The spindle rotates in the CCW (counterclockwise) direction when the input signal SFR (bit 5 of G70) = 1.
- (b) The spindle rotates in the CW (clockwise) direction when the input signal SRV (bit 4 of G70) = 1.

1 : Disables the rotation direction function.
 If a move command from the CNC is positive (+), the spindle rotates in the CCW (counterclockwise) direction when the input signal SFR = 1 or SRV = 1.

16 <i>i</i>	30 <i>i</i>	#7	#6	#5	#4	#3	#2	#1	#0
4006	4006					SYCREP		GRUNIT	

GRUNIT Sets a gear ratio setting resolution:

0 : 1/100 unit
 1 : 1/1000 unit

Select a gear ratio data setting resolution from the following:

- (a) Resolution based on motor speed increased by a factor of 100 relative to one spindle rotation
- (b) Resolution based on motor speed increased by a factor of 1000 relative to one spindle rotation

Depending on the setting of this parameter, the increment system of the parameters indicated in the table below changes.

Parameter No.		Description
16 <i>i</i>	30 <i>i</i>	
4056 to 4059	4056 to 4059	Spindle-to-motor gear ratio data

NOTE

- 1 Usually, use the 1/100 unit (setting "0").
- 2 When the 1/100 unit is set as the gear ratio setting resolution (with the bit set to 0), a steady-state synchronous error may be indicated due to the fraction of the gear ratio.
In such a case, the synchronous error can be improved when the 1/1000 unit is set as the gear ratio setting resolution (with the bit set to 1).

SYCREF Setting for function performing automatic detection of the one-rotation signal on spindle synchronous control

0 : Automatic detection of the one-rotation signal carried out

1 : Automatic detection of the one-rotation signal not carried out.

(When spindle phase synchronization is not carried out)

When the mode is switched to spindle synchronous control mode after power-on, the two spindles automatically perform a one-rotation signal detection operation. So, the spindles automatically make two to three turns even if such turns are not intended.

This operation is required because the one-rotation signal must be detected to enable spindle phase synchronous control.

If the two spindles are mechanically connected to disable each spindle from performing a one-rotation signal detection operation, or if spindle phase synchronous control is not exercised, the operation above can be disabled by setting this bit to 1.

When this parameter is set to "1", check that the one-rotation signal has been detected for both spindles (output signal PC1DTA = 1) before applying the spindle phase synchronous control signal (SPPHS).

If the one-rotation signal is not detected, specify a speed of several ten min^{-1} or higher in spindle synchronous control mode, and wait until the one-rotation signal is detected. (See sequence example (4).)

16i 30i

4032 4032

Acceleration at spindle synchronous control

Unit of data : $1\text{min}^{-1}/\text{sec}$

Valid data range : 0 to 32767

Standard setting : 0

This parameter sets an acceleration value for linear acceleration/deceleration when the synchronous speed command for spindle synchronous control is changed.

NOTE

- 1 Set exactly the same data for 1st spindle and 2nd spindle. When different data is set, synchronization between the two spindles is not guaranteed.
- 2 When this parameter is set to 0, motor doesn't accelerate/decelerate, so, be sure to set proper value in this parameter.

16i 30i
4033 4033

Spindle synchronous speed arrival level
--

Unit of data : 1min⁻¹/sec
Valid data range : 0 to 32767
Standard setting : 10

For the synchronous speed command at spindle synchronous control, if the error of the respective spindle motor speeds are within the setting level, the spindle synchronous control complete signal (FSPSY) becomes "1".

16i 30i
4034 4034

Shift amount at spindle phase synchronous control
--

Unit of data : 1 pulse unit (360 degrees/4096)
Valid data range : 0 to 4095
Standard setting : 0

Sets the shift amount from the reference position (one-rotation signal) at spindle phase synchronous control.

16i 30i
4035 4035

Spindle phase synchronous compensation data
--

Unit of data : 1 pulse/2msec
Valid data range : 0 to 4095
Standard setting : 10

This parameter reduces speed fluctuations when aligning phase of spindles in spindle phase synchronous control.

When this parameter is "0", since the phase alignment amount is only issued once, the position error quickly becomes large, and there are large speed changes on phase alignment.

It is possible to perform smooth phase alignments through issuing separate commands for phase alignment amounts for the number of 2 msec pulses set in this parameter.

16i 30i
4044 4044
4045 4045

Velocity loop proportional gain on spindle synchronous control (HIGH)
--

CTH1A=0

Velocity loop proportional gain on spindle synchronous control (LOW)

CTH1A=1

Unit of data :
Valid data range : 0 to 32767
Standard setting : 10

This sets velocity loop proportional gain on spindle synchronous control.

It is selected HIGH when CTH1A=0 of input signal, and It is selected LOW when CTH1A=1 of input signal.

16i 30i
4052 4052
4053 4053

Velocity loop integral gain on spindle synchronous control (HIGH)	CTH1A=0
Velocity loop integral gain on spindle synchronous control (LOW)	CTH1A=1

Unit of data :
Valid data range : 0 to 32767
Standard setting : 10

This sets velocity loop integral gain on spindle synchronous control. It is selected HIGH when CTH1A=0 of input signal, and It is selected LOW when CTH1A=1 of input signal.

16i 30i
4056 4056
4057 4057
4058 4058
4059 4059

Gear ratio (HIGH)	CTH1A=0, CTH2A=0
Gear ratio (MEDIUM HIGH)	CTH1A=0, CTH2A=1
Gear ratio (MEDIUM LOW)	CTH1A=1, CTH2A=0
Gear ratio (LOW)	CTH1A=1, CTH2A=1

Unit of data : (Motor rotation for one rotation of spindle) / 100
(When parameter No. 4006 #1 (GRUNIT) is 1, motor rotation / 1000)
Valid data range : 0 to 32767
Standard setting : 100

These parameters set the gear ratio of the spindle motor to the spindle. Usually, set 100.

NOTE

When an improper value is set in these parameters, an unexpected operation can occur. For example, the spindle does not stop but keeps rotating at the time of orientation. So, be sure to set a proper gear ratio.

16i 30i
4065 4065
4066 4066
4067 4067
4068 4068

Position gain on spindle synchronous control (HIGH)	CTH1A=0, CTH2A=0
Position gain on spindle synchronous control (MEDIUM HIGH)	CTH1A=0, CTH2A=1
Position gain on spindle synchronous control (MEDIUM LOW)	CTH1A=1, CTH2A=0
Position gain on spindle synchronous control (LOW)	CTH1A=1, CTH2A=1

Unit of data : 0.01sec^{-1}
Valid data range : 0 to 32767
Standard setting : 1000

This sets position gain in spindle synchronous control. It is selected by CTH1A or CTH2A of input signal.

16i 30i
4336 4336

Acceleration switch point on spindle synchronous control

Unit of data : 1min⁻¹
Valid data range : 0 to 32767
Standard setting : 0

The acceleration for spindle synchronous control changes according to the speed set in this parameter as follows:

- Area where the spindle speed does not exceed the speed set in this parameter
The acceleration for spindle synchronous control is constant (as set in parameter No. 4032).
- Area where the spindle speed exceeds the speed set in this parameter
The acceleration for spindle synchronous control decreases in inverse proportion to the speed.

NOTE

- | |
|--|
| <ol style="list-style-type: none"> 1 Set the same data for the first spindle and second spindle. If different data is set, synchronization between the two spindles is not guaranteed. 2 When this parameter is set to 0, linear acceleration/deceleration (constant acceleration) is performed. |
|--|

16i 30i
4340 4340

Bell-shaped acceleration/deceleration time constant for spindle synchronous control
--

Unit of data : 1msec
Valid data range : 0 to 512
Standard setting : 0

This parameter sets a bell-shaped acceleration/deceleration time constant for spindle synchronous control.

This parameter is applied to the move command after “Acceleration at spindle synchronous control” (parameter No. 4032) is applied.

When this parameter is set, the spindle synchronous speed control completion signal (FSPSY), output when the synchronous speed is first reached after the spindle synchronous control mode is entered, is delayed by the set time.

NOTE

<p>Set the same data for the first spindle and second spindle. If different data is set, synchronization between the two spindles is not guaranteed.</p>
--

16i 30i
4346 4346

Incomplete integration coefficient

Unit of data :
Valid data range : 0 to 32767
Standard setting : 0

Set this parameter to use incomplete integration for velocity loop integration control.

NOTE

Usually, this parameter need not be adjusted.

16i 30i
4515 4515

Excessive speed deviation alarm detection level on spindle synchronous control

Unit of data : 1min^{-1}
Valid data range : 0 to 32767
Standard setting : 0

This parameter sets a level for detecting the excessive speed deviation alarm under spindle synchronous control.

If the positional deviation (position error) or the difference between the speed command for the spindle end calculated from the position gain and the actual spindle speed exceeds the value set in this parameter in the spindle synchronous control mode, the excessive speed deviation alarm under spindle synchronous control (spindle alarm C8) is detected. When this parameter is set to 0, alarm detection is disabled.

If the speed integration control signal (INTG) is used, the speed deviation increases for a cause such as acceleration/deceleration and cutting load. The spindle speed deviation that causes torque command saturation is indicated below. Set an alarm level by using a calculated value as a guideline. (During spindle synchronous control, ensure that torque command saturation does not take place.)

$$\text{Spindle speed deviation } [\text{min}^{-1}] = 1024 \times A / P \times B / G$$

where

No.4006#1	No.4009#0	A	B
0	0	1	100
0	1	16	100
1	0	1	1000
1	1	16	1000

P: Velocity loop proportional gain on spindle synchronous control(No.4044, 4045)

G: Gear ratio (No.4056 to 4059)

NOTE

This parameter is valid with 9D53 series E (05) edition or later, 9D70 series D (04) edition or later, and 9D80 series B (02) edition or later.

16i 30i
4516 4516

Excessive positional deviation alarm detection level on spindle synchronous control

Unit of data : 100 pulses (weight of 4096 pulses/rev)
Valid data range : 0 to 32767
Standard setting : 0

This parameter sets a level for detecting the excessive positional deviation alarm under spindle synchronous control.

If the positional deviation (position error) exceeds the value set in this parameter in the spindle synchronous control mode, the excessive positional deviation alarm under spindle synchronous control (spindle alarm C9) is detected. When this parameter is set to 0, alarm detection is disabled.

As an alarm level, set a value greater than the positional deviation (position error) equivalent to the spindle speed specified in the spindle synchronous control mode. The positional deviation equivalent to the spindle speed can be calculated from the following expression:

Positional deviation [pulse] =
Spindle speed [min^{-1}] / 60 × 4096 × 100 / PG

where

PG: Position gain on spindle synchronous control (No.4065 to 4068)

NOTE

This parameter is valid with 9D53 series E (05) edition or later, 9D70 series D (04) edition or later, and 9D80 series B (02) edition or later.

2.5.9 Number of Error Pulses in Spindle Synchronous Control

For this subsection, see Subsection 2.5.9, “Number of Error Pulses in Spindle Synchronous Control”, in Part I.

2.5.10 Specifying a Shift Amount for Spindle Phase Synchronous Control

For this subsection, see Subsection 2.5.10, “Specifying a Shift Amount for Spindle Phase Synchronous Control”, in Part I.

2.5.11 Diagnosis (Diagnosis Screen)

For this subsection, see Subsection 2.5.11, “Diagnosis (Diagnosis Screen)”, in Part I.

2.5.12 Alarm

For this subsection, see Subsection 2.5.12, “Alarm”, in Part I.

2.6 SPECIFICATIONS COMMON TO ALL OPERATION MODES

2.6.1 Overview

For this subsection, see Subsection 2.6.1, “Overview”, in Part I.

2.6.2 List of I/O Signals (CNC↔PMC)

This subsection provides a list of the I/O signals related to spindle speed control only. For details of each signal, refer to the Connection Manual (Function) of each CNC.

- (a) For Series 16i/18i/21i
 “FANUC Series 16i/18i/21i-MODEL B
 CONNECTION MANUAL (FUNCTION) : B-63523EN-1
 Refer to Section 9.3, “SPINDLE SPEED CONTROL.”
- (b) For Series 30i/31i/32i
 “FANUC Series 30i/31i/32i-MODEL A
 CONNECTION MANUAL (FUNCTION) : B-63943EN-1
 Refer to Section 11.3, “SPINDLE SPEED CONTROL.”
- (c) For Series 15i
 “FANUC Series 15i-MODEL B
 CONNECTION MANUAL (FUNCTION) : B-63783EN-1
 Refer to Section 9.3, “SPINDLE SPEED CONTROL.”

For details of the I/O signals common to the CNCs, see Chapter 3, “I/O SIGNALS (CNC↔PMC)”, in Part IV.

(1) Input signals (PMC→CNC)

(a) Series 16i

		#7	#6	#5	#4	#3	#2	#1	#0
Common to all axes	G027				*SSTP2 (*1)	*SSTP1 (*1)		SWS2 (*1)	SWS1 (*1)
Common to all axes	G028						GR2	GR1	
Common to all axes	G029		*SSTP	SOR	SAR				
Common to all axes	G030	SOV7	SOV6	SOV5	SOV4	SOV3	SOV2	SOV1	SOV0
1st-	G032	R08I	R07I	R06I	R05I	R04I	R03I	R02I	R01I
2nd-	G034	R08I2	R07I2	R06I2	R05I2	R04I2	R03I2	R02I2	R01I2
1st-	G033	SIND	SSIN	SGN		R12I	R11I	R10I	R09I
2nd-	G035	SIND2	SSIN2	SGN2		R12I2	R11I2	R10I2	R09I2

NOTE

*1 These signals are valid in multi-spindle control.

(b) Series 30i

		#7	#6	#5	#4	#3	#2	#1	#0
Common to all axes	G027				*SSTP2 (*1)	*SSTP1 (*1)		SWS2 (*1)	SWS1 (*1)
Common to all axes	G028						GR2	GR1	
Common to all axes	G029		*SSTP	SOR	SAR				
Common to all axes	G030	SOV7	SOV6	SOV5	SOV4	SOV3	SOV2	SOV1	SOV0
1st-	G032	R08I	R07I	R06I	R05I	R04I	R03I	R02I	R01I
2nd-	G034	R08I2	R07I2	R06I2	R05I2	R04I2	R03I2	R02I2	R01I2
1st-	G033	SIND	SSIN	SGN		R12I	R11I	R10I	R09I
2nd-	G035	SIND2	SSIN2	SGN2		R12I2	R11I2	R10I2	R09I2

NOTE

*1 These signals are valid in multi-spindle control.

(c) Series 15i

		#7	#6	#5	#4	#3	#2	#1	#0
Common to all axes	G005							FIN	
1st-	G024	RI7A	RI6A	RI5A	RI4A	RI3A	RI2A	RI1A	RI0A
2nd-	G232	RI7B	RI6B	RI5B	RI4B	RI3B	RI2B	RI1B	RI0B
1st-	G025	RISGNA			RI12A	RI11A	RI10A	RI9A	RI8A
2nd-	G233	RISGNB			RI12B	RI11B	RI10B	RI9B	RI8B
1st-	G026		GS4A	GS2A	GS1A				
2nd-	G272		GS4B	GS2B	GS1B				

(d) Common to CNCs

	15i	16i	30i	#7	#6	#5	#4	#3	#2	#1	#0
1st-	G227	G070	G070	MRDYA		SFRA	SRVA	CTH1A	CTH2A	TLMHA	TLMLA
2nd-	G235	G074	G074	MRDYB		SFRB	SRVB	CTH1B	CTH2B	TLMHB	TLMLB
1st-	G226	G071	G071							*ESPA	ARSTA
2nd-	G234	G075	G075							*ESPB	ARSTB
1st-	G228	G073	G073	EPFSTRA			DSCNA		MPOFA		
2nd-	G236	G077	G077	EPFSTRB			DSCNB		MPOFB		

(2) Output signals (CNC→PMC)

(a) Series 16i

	#7	#6	#5	#4	#3	#2	#1	#0
F001				ENB				
F007						SF		
F022	S07	S06	S05	S04	S03	S02	S01	S00
F023	S15	S14	S13	S12	S11	S10	S09	S08
F024	S23	S22	S21	S20	S19	S18	S17	S16
F025	S31	S30	S29	S28	S27	S26	S25	S24
F034						GR30 (*1)	GR20 (*1)	GR10 (*1)
F036	R08O	R07O	R06O	R05O	R04O	R03O	R02O	R01O
F037					R12O	R11O	R10O	R09O

NOTE
*1 These signals are valid with the M series only.

(b) Series 30i

	#7	#6	#5	#4	#3	#2	#1	#0
F001				ENB				
F007						SF		
F022	S07	S06	S05	S04	S03	S02	S01	S00
F023	S15	S14	S13	S12	S11	S10	S09	S08
F024	S23	S22	S21	S20	S19	S18	S17	S16
F025	S31	S30	S29	S28	S27	S26	S25	S24
F034						GR30 (*1)	GR20 (*1)	GR10 (*1)
F036	R08O	R07O	R06O	R05O	R04O	R03O	R02O	R01O
F037					R12O	R11O	R10O	R09O

NOTE
*1 These signals are valid with the M series only.

(c) Series 15i

			#7	#6	#5	#4	#3	#2	#1	#0
Common to all axes	F008								SF	
Common to all axes	F020		S7	S6	S5	S4	S3	S2	S1	S0
Common to all axes	F021		S15	S14	S13	S12	S11	S10	S09	S08
Common to all axes	F022		S23	S22	S21	S20	S19	S18	S17	S16
Common to all axes	F023		S31	S30	S29	S28	S27	S26	S25	S24
Common to all axes	F045				SRSRDY					
1st-	F010		RO7A	RO6A	RO5A	RO4A	RO3A	RO2A	RO1A	RO0A
2nd-	F320		RO7B	RO6B	RO5B	RO4B	RO3B	RO2B	RO1B	RO0B
1st-	F11		RO15A	RO14A	RO13A	RO12A	RO11A	RO10A	RO9A	
2nd-	F321		RO15B	RO14B	RO13B	RO12B	RO11B	RO10B	RO9B	
1st-	F014		MR7A	MR6A	MR5A	MR4A	MR3A	MR2A	MR1A	MR0A
2nd-	F324		MR7B	MR6B	MR5B	MR4B	MR3B	MR2B	MR1B	MR0B
1st-	F015		MR15A	MR14A	MR13A	MR12A	MR11A	MR10A	MR9A	MR8A
2nd-	F325		MR15B	MR14B	MR13B	MR12B	MR11B	MR10B	MR9B	MR8B
1st-	F234		SSPD7A	SSPD6A	SSPD5A	SSPD4A	SSPD3A	SSPD2A	SSPD1A	SSPD0A
2nd-	F250		SSPD7B	SSPD6B	SSPD5B	SSPD4B	SSPD3B	SSPD2B	SSPD1B	SSPD0B
1st-	F235		SSPD15A	SSPD14A	SSPD13A	SSPD12A	SSPD11A	SSPD10A	SSPD9A	SSPD8A
2nd-	F251		SSPD15B	SSPD14B	SSPD13B	SSPD12B	SSPD11B	SSPD10B	SSPD9B	SSPD8B
1st-	F341									SRRDYA
2nd-	F342									SRRDYB

(d) Common to CNCs

		15i	16i	30i	#7	#6	#5	#4	#3	#2	#1	#0
1st-	F229	F045	F045			TLMA	LDT2A	LDT1A	SARA	SDTA	SSTA	ALMA
2nd-	F245	F049	F049			TLMB	LDT2B	LDT1B	SARB	SDTB	SSTB	ALMB
1st-	F231	F047	F047					EXOFA				PC1DTA
2nd-	F247	F051	F051					EXOFB				PC1DTB
1st-	F230	F048	F048						SSMBRKA			PC1DTA
2nd-	F246	F052	F052						SSMBRKB			PC1DTB

2.6.3 Parameters

This subsection describes those parameters that are common to all operation modes by dividing them into several types.

NOTE

For the detector-related parameters, see Section 1.3, "PARAMETERS RELATED TO DETECTORS", in Part IV.

(1) List of parameters specific to synchronous built-in spindle motor driving

This item provides a list of the motor parameters specific to synchronous built-in spindle motor driving. Usually, the settings of these parameters need not be changed. Use the values indicated on a parameter table for each motor model without modification.

Parameter No.			Description
15i	16i	30i	
3006#4	4006#4	4006#4	Sets the d-phase current command.
3008#3	4008#3	4008#3	Sets the current command.
3008#4	4008#4	4008#4	Sets the method of output control.
3009#5	4009#5	4009#5	Sets base speed (for BiS160L4/6000)
3011#3	4011#3	4011#3	Sets the number of motor poles.
3011#4	4011#4	4011#4	Sets a maximum output for acceleration/deceleration.
3011#7	4011#7	4011#7	Sets the number of motor poles.
3012#2,#1,#0	4012#2,#1,#0	4012#2,#1,#0	Sets a PWM carrier frequency.
3012#6	4012#6	4012#6	Sets whether to drive the synchronous built-in spindle motor.
3012#7	4012#7	4012#7	Sets the spindle HRV function.
3013#6 to #2	4013#6 to #2	4013#6 to #2	Sets current dead-band data.
3020	4020	4020	Maximum motor speed
3080	4080	4080	Limits regenerative power.
3083	4083	4083	Current step selection/activation current ratio/stop confirmation time in magnetic pole detection
3084	4084	4084	AMR offset
3085	4085	4085	AMR offset fine adjustment
3086	4086	4086	Inductance ratio
3100	4100	4100	Base speed for motor output specification
3101	4101	4101	Torque limitation value for motor output specification
3102	4102	4102	Base speed at maximum load
3103	4103	4103	Magnetic flux reduction start speed / Current pattern switching speed
3104	4104	4104	Current loop proportional gain
3106	4106	4106	Current loop integral gain
3108	4108	4108	Current loop integral gain zero speed
3109	4109	4109	Filter time constant in voltage command saturation processing
3110	4110	4110	Current conversion constant
3111	4111	4111	Maximum current coefficient
3112	4112	4112	Voltage command saturation decision level/PWM command clamp value
3113	4113	4113	Current coefficient for magnetic flux reduction
3115	4115	4115	PWM command clamp value at deceleration time

Parameter No.			Description
15i	16i	30i	
3116	4116	4116	Counter electromotive voltage compensation coefficient
3117	4117	4117	Interference voltage compensation coefficient
3119	4119	4119	Interference voltage compensation
3120	4120	4120	Dead-band rectangular wave component zero voltage/dead-band data
3127	4127	4127	Load meter indication value at maximum output time
3130	4130	4130	Current phase delay compensation constant
3133	4133	4133	Motor model code
3134	4134	4134	Motor overheat level (2 words)
3362	4362	4362	Load meter compensation 1
3363	4363	4363	Load meter compensation 2
3364	4364	4364	Load meter compensation 3

(2) List of parameters related to alarm detection

This item provides a list of the parameters related to alarm detection conditions.

Parameter No.			Description
15i	16i	30i	
3009#2	4009#2	4009#2	Motor power turn-off method when spindle alarm 24 (serial data transfer error) is issued
3087	4087	4087	Overspeed level
3088	4088	4088	Velocity error excess detection level when the motor is bound
3089	4089	4089	Velocity error excess detection level when the motor is rotating
3090	4090	4090	Overload detection level
3123	4123	4123	Short-time overload detection period
3399#5	4399#5	4399#5	Whether to detect magnetic pole position count miss alarm (spindle alarm 91)
3463	4463	4463	Unexpected rotation detection level (spindle Alarm 90)
3464	4464	4464	Velocity command-dependent over speed (spindle alarm 92) detection offset level
3465	4465	4465	Excessive speed deviation level 2
3466	4466	4466	Excessive speed deviation detection time 2
3527	4527	4527	Temperature difference between warning level and alarm level

(3) Other parameters

This item provides a list of the parameters common to all operation modes except the parameters listed in Items (1) and (2) above.

Parameter No.			Description
15i	16i	30i	
—	3706#1,#0	-	Gear ratio between the spindle and position coder (cases of ×1, ×2, ×4, ×8)
5602#3	—	—	Whether to indicate an alarm detected by the spindle amplifier (Usually, set 0.)
5807#0	—	—	Enables/disables the spindle alarms (SPxxxx) of all spindles. (Usually, set 0.)
5842	—	3720	Number of position coder pulses
5850	—	—	Spindle number selected at power-on/reset time
3001#0	4001#0	4001#0	Whether to use the MRDY signal (machine ready signal)
3006#1	4006#1	4006#1	Gear ratio increment system
3009#0	4009#0	4009#0	Velocity loop gain increment system
3009#4	4009#4	4009#4	Whether to output the load detection signals (LDT1, LDT2) during acceleration/deceleration
3012#6	4012#6	4012#6	Sets whether to drive the synchronous built-in spindle motor.
3012#7	4012#7	4012#7	Sets the spindle HRV function.
3019#2	4019#2	4019#2	Whether to perform torque clamping when the speed is zero
3019#7	4019#7	4019#7	Automatic parameter setting function
3352#1	4352#1	4352#1	Sets the peak hold function for load meter output.
3395#3	4395#3	4395#3	Sets parameter transfer from the CNC to spindle software.
3020	4020	4020	Maximum motor speed
3022	4022	4022	Speed arrival detection signal
3023	4023	4023	Speed detection level
3024	4024	4024	Speed zero detection level
3025	4025	4025	Torque limitation value.
3026	4026	4026	Load detection level 1
3027	4027	4027	Load detection level 2
3056	4056	4056	Gear ratio (High)
3057	4057	4057	Gear ratio (Medium High)
3058	4058	4058	Gear ratio (Medium Low)
3059	4059	4059	Gear ratio (Low)
3095	4095	4095	Speedometer output voltage adjustment value
3096	4096	4096	Load meter output voltage adjustment value
3122	4122	4122	Speed detection filter time constant
3170	4170	4170	Overload current alarm detection level
3345	4345	4345	Detection level of the spindle motor speed command
3346	4346	4346	Incomplete integral coefficient
3351	4351	4351	Current detection offset compensation

2.6.4 Details of Parameters

This subsection details the serial spindle parameters (in the four thousands for 16*i*, in the four thousands for 30*i*, and in the three thousands for 15*i*) among the parameters common to all operation modes. For details of other parameters, refer to the Connection Manual (Function) of each CNC.

- (a) For Series 16*i*/18*i*/21*i*
 “FANUC Series 16*i*/18*i*/21*i*-MODEL B
 CONNECTION MANUAL (FUNCTION) : B-63523EN-1
 Refer to Section 9.3, “SPINDLE SPEED CONTROL.”
- (b) For Series 30*i*/31*i*/32*i*
 “FANUC Series 30*i*/31*i*/32*i*-MODEL A
 CONNECTION MANUAL (FUNCTION) : B-63943EN-1
 Refer to Section 11.3, “SPINDLE SPEED CONTROL.”
- (c) For Series 15*i*
 “FANUC Series 15*i*-MODEL B
 CONNECTION MANUAL (FUNCTION) : B-63783EN-1
 Refer to Section 9.3, “SPINDLE SPEED CONTROL.”

(1) List of parameters specific to spindle motor driving

Usually, the settings of the motor parameters specific to synchronous built-in spindle motor driving need not be changed. Their details are omitted.

(2) List of parameters related to alarm detection

This item details the parameters related to alarm detection conditions.

15 <i>i</i>	16 <i>i</i>	30 <i>i</i>	#7	#6	#5	#4	#3	#2	#1	#0
3009	4009	4009						ALSP		

ALSP Motor power turn-off method when spindle alarm 24 (serial data transfer error) is issued

- 0 : Turns off the power after the motor is decelerated and stopped.
- 1 : Turns off the power to the motor immediately.

Set this parameter to 1 to turn off the power to the motor immediately when any spindle alarm is issued

15 <i>i</i>	16 <i>i</i>	30 <i>i</i>	Overspeed level							
3087	4087	4087								

Unit of data : 1%
 Valid data range : 0 to 200
 Standard setting value : 115

This parameter sets an overspeed level.
 When the speed exceeds [maximum motor speed (No. 4020) × setting data (%)], the overspeed alarm (spindle alarm 07) is issued.

⚠ WARNING
 Make sure this parameter is set to the standard setting value. Do not change the value.

15i 16i 30i
3088 4088 4088

Velocity error excess detection level when the motor is bound
--

Unit of data : 0.01%
Valid data range : 0 to 10000
Standard setting value : 75

This parameter sets a velocity error excess (spindle alarm 31) detection level when the motor is bound.

If a velocity error equal to or greater than [maximum motor speed (No. 4020) × setting data (%)] occurs when the motor is bound, for example, the motor binding alarm (spindle alarm 31) is issued.

15i 16i 30i
3089 4089 4089

Velocity error excess detection level when the motor is rotating

Unit of data : 0.1%
Valid data range : 0 to 1000
Standard setting value : 200

This parameter sets a velocity error excess detection level when the motor is rotating.

If a velocity error equal to or greater than [maximum motor speed (No. 4020) × setting data (%)] occurs, the velocity error excess alarm (spindle alarm 02) is issued.

15i 16i 30i
3090 4090 4090

Overload detection level

Unit of data : 1%
Valid data range : 0 to 100
Standard setting value : 90

This parameter sets a condition for detecting the short-time overload alarm (spindle alarm 29).

If the state where a load equal to or greater than setting data (%) (maximum motor output [load meter full scale] = 100%) is imposed on the spindle motor lasts for a specified period (set in No. 4123) or more, the short-time overload alarm (spindle alarm 29) is issued.

15i 16i 30i
3123 4123 4123

Short-time overload detection period

Unit of data : 1sec
Valid data range : 0 to 500
Standard setting value : 30

This parameter sets the timing for detecting the short-time overload alarm (spindle alarm 29).

If the state where a load equal to or greater than the specified value (set in parameter No. 4090) is imposed on the spindle motor lasts for at least the period specified in this parameter, the short-time overload alarm (spindle alarm 29) is issued.

15i	16i	30i	#7	#6	#5	#4	#3	#2	#1	#0
3399	4399	4399			NCHAMR					

NCHAMR Determines whether to detect “pole position count miss alarm (spindle alarm 91)”.

0: Detect alarm 91.

1: Does not detect alarm 91.

When the one-rotation signal is detected, this function monitors the difference between the initial magnetic pole position estimated by magnetic pole detection and AMR offset (parameter No. 4084). If the parameter-set threshold is exceeded, alarm 91 is detected.

If spindle alarm 91 must be invalidated temporarily for adjustment and other purposes, set this parameter to "-1 (alarm 91 is invalid)".

NOTE

*1 When the α iCZ sensor (serial) is used, this function cannot be used.

*2 This function is valid after executing AMR offset. Therefore, following parameters are needed to be set.

No.4008#6 = “0 (AMR offset is valid)”

No.4084 = “An adjustment value”

*3 The magnetic pole undetected state (EPFIX: F048#7) is reset to 0 if spindle alarm 91 is issued.

*4 This parameter is valid with
 9D53 series I (09) edition or later
 9D70 series H (08) edition or later
 9D80 series B (02) edition or later.

15i 16i 30i
3463 4463 4463

Unexpected rotation detection level

Unit of data : 0.1rev
Valid data range : -1, 0~500
Standard setting value : 0

This parameter specifies the unexpected rotation detection level (Alarm 90 level).

When the sign of unexpected rotation is once detected, spindle amplifier (SP) begins to sum the velocity error. When the motor rotates normally, Sp subtracts the velocity error from the summation. If the parameter-set threshold is exceeded, alarm 90 is detected.

When "0" is set, 1.0rev is set internally.

If spindle alarm 90 must be invalidated temporarily for adjustment and other purposes, set this parameter to "-1 (alarm 90 is invalid)".

NOTE

*1 The magnetic pole undetected state (EPFIX: F048#7) is reset to 0 if spindle alarm 90 is issued.

*2 This parameter is valid with
9D53 series I (09) edition or later
9D70 series H (08) edition or later
9D80 series B (02) edition or later.

15i 16i 30i
3464 4464 4464

Velocity command-dependent over speed detection offset level

Unit of data : 0.1%
Valid data range : -1, 0~500
Standard setting value : 0

This parameter sets the offset speed level for detecting the over speed (spindle alarm 92) according to the velocity command.

When the spindle motor reaches the velocity command plus the maximum motor speed (No. 4020) × setting data% the velocity command-dependent over speed alarm (spindle alarm 92) is issued. This detection level is automatically updated if the velocity command increases or changes to 0 or if control mode (such as speed mode or orientation mode) changes.

If the setting is "0", the offset level is 15%.

If spindle alarm 92 must be invalidated temporarily for adjustment and other purposes, set this parameter to "-1 (alarm 92 is invalid)".

NOTE

*1 The magnetic pole undetected state (EPFIX: F048#7) is reset to 0 if spindle alarm 92 is issued.

*2 This parameter is valid with

9D53 series I (09) edition or later

9D70 series H (08) edition or later

9D80 series B (02) edition or later.

15i 16i 30i
3465 4465 4465

Excessive speed deviation level 2
--

Unit of data : If the setting is positive, 1 min⁻¹
(When bit 2 (SPDUNT) of parameter No. 4006 is 1, 10 min⁻¹)
If the setting is negative: 0.1%
Valid data range : -1000~32767
Standard setting value : 0

This parameter sets the alarm level for excessive speed deviation alarms (spindle alarms 02 and 31) in units of 1 min⁻¹ (motor speed) or as a ratio to the motor velocity command. Depending on the setting of this parameter, the alarm level (min⁻¹) for the excessive speed deviation alarms is as follows:

- If the setting is positive: Setting of parameter No. 4465 (min⁻¹)

- If the setting is negative: |Velocity command × Setting of parameter No. 4465/1000| (min⁻¹)

If the setting is "0", this parameter is excluded from the excessive speed deviation alarm detection conditions.

NOTE

This parameter is valid with
 9D53 series S (19) edition or later
 9D70 series I (09) edition or later
 9D80 series C (03) edition or later.

15i 16i 30i
 3466 4466 4466

Excessive speed deviation detection time 2

Unit of data : 0.1sec
 Valid data range : 0~1000
 Standard setting value : 0

This parameter sets the period from the time the motor speed deviation exceeds the alarm level of the excessive speed deviation alarm set in parameter No. 4465 until an excessive speed deviation alarm (spindle alarm 02 or 31) is issued.

If the motor speed deviation goes below the alarm level within the period of time set in this parameter, the period of time is reset.

NOTE

This parameter is valid with
 9D53 series J (10) edition or later
 9D70 series I (09) edition or later
 9D80 series C (03) edition or later.

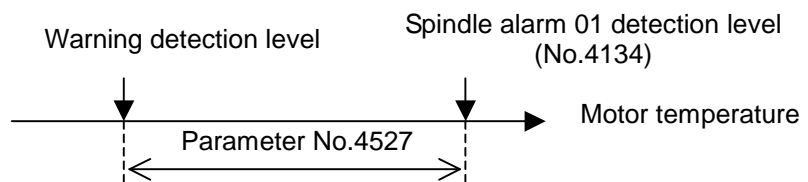
15i 16i 30i
 3527 4527 4527

Temperature difference between warning level and alarm level

Unit of data : 1K
 Valid data range : 0~50
 Standard setting value : 0

This parameter sets the difference between motor overheat alarm detection temperature and the warning detection temperature. If the parameter setting is 0, the spindle motor overheat warning function is disabled.

While the motor temperature exceeds the warning detection temperature, the motor overheat warning (warning number 01) is issued.



(3) Other parameters

This item details the parameters common to all operation modes except the parameters listed in Items (1) and (2) above.

15i	16i	30i	#7	#6	#5	#4	#3	#2	#1	#0
3001	4001	4001								MRDY1

MRDY1 Whether to use the MRDYA signal (machine ready signal)
 0 : Does not uses the MRDYA signal (MRDYA = 1 at all times).
 1 : Uses the MRDYA signal.

15i	16i	30i	#7	#6	#5	#4	#3	#2	#1	#0
3006	4006	4006							GRUNIT	

GRUNIT Sets a gear ratio setting resolution:
 0 : 1/100 unit
 1 : 1/1000 unit
 Select a gear ratio data setting resolution from the following:
 (a) Resolution based on motor speed increased by a factor of 100 relative to one spindle rotation
 (b) Resolution based on motor speed increased by a factor of 1000 relative to one spindle rotation
 Depending on the setting of this parameter, the increment system of the parameters indicated in the table below changes.

Parameter No.			Description
15i	16i	30i	
3056 to 3059	4056 to 4059	4056 to 4059	Spindle-to-motor gear ratio data

NOTE
 Usually, use the 1/100 unit (setting "0").

15i	16i	30i	#7	#6	#5	#4	#3	#2	#1	#0
3009	4009	4009				LDTOUT				VLPGAN

VLPGAN Velocity control loop gain increment system
 0 : Uses ordinary setting.
 1 : Divides ordinary setting data by 16 for processing.

NOTE
 Usually, set this parameter to 0.

LDTOUT Whether to output the load detection signals (LDT1, LDT2) during acceleration/deceleration
 0 : Does not output the load detection signals during acceleration/deceleration (standard setting value).
 1 : Outputs the load detection signals during acceleration/deceleration (at all times) when the parameter-set level is exceeded.

15i	16i	30i	#7	#6	#5	#4	#3	#2	#1	#0
3012	4012	4012	SPHRV	SYSP						

SYSP Sets whether to drive the synchronous built-in spindle motor.
 0 : Enables inductive spindle motor driving. (standard setting value)
 1 : Enables synchronous built-in spindle motor driving.
 Set this parameter to 1.

SPHRV Sets the spindle HRV control function.
 0 : Disables spindle HRV control.
 1 : Enables spindle HRV control. (standard setting value)
 Set this parameter to 1.

NOTE
 When driving the BiS series spindle (synchronous built-in spindle motor), be sure to set both of the SYSP and SPHRV bits to 1.

15i	16i	30i	#7	#6	#5	#4	#3	#2	#1	#0
3019	4019	4019	PRLOAD					SSTTRQ		

SSTTRQ Whether to perform torque clamping when the speed is zero
 0 : Performs clamping.
 1 : Does not perform clamping.

NOTE
 Usually, set this parameter to 1 not to perform clamping.

PRLOAD Automatic parameter setting function
 0 : Does not perform automatic parameter setting (standard setting value).
 1 : Performs automatic parameter setting.
 After setting a desired motor model code in parameter No. 4133 and setting this bit to 1, turn off the power to the CNC, then turn on the power to the CNC again. The parameters (No. 4000 to No. 4175) for the αi series spindle corresponding to the model code are automatically initialized. Upon completion of automatic setting, this bit is automatically set to 0.

NOTE
 With FS15i, the parameter address of this function is different, namely, bit 0 of No. 5607 is used.
 Moreover, note that the meanings of settings are reversed as follows.
 0: Performs automatic parameter setting.
 1: Does not perform automatic parameter setting.
 In this case, set a model code in parameter No. 3133.

15i	16i	30i	#7	#6	#5	#4	#3	#2	#1	#0
3352	4352	4352							PKHALW	

PKHALW Sets the peak hold function for load meter output.
 0 : Does not use the peak hold function. (standard setting value)
 1 : Uses the peak hold function.

15i	16i	30i	#7	#6	#5	#4	#3	#2	#1	#0
3395	4395	4395					PRIMED			

PRIMED Sets parameter transfer from the CNC to spindle software.
 0 : Regards parameters as valid one second after they are transferred from the CNC. (Standard setting value)
 1 : Regards parameters as valid as soon as they are transferred from the CNC.

NOTE
 This parameter is valid with 9D53 series B (02) edition or later, 9D70 series A (01) edition or later, and 9D80 series B (02) edition or later.

15i	16i	30i	Maximum motor speed							
3020	4020	4020								

Unit of data : 1min⁻¹
 Valid data range : 0 to 32767
 Standard setting value : Depends on the motor model.
 This parameter sets a maximum spindle motor speed.

15i	16i	30i	Speed arrival detection level							
3022	4022	4022								

Unit of data : 0.1%
 Valid data range : 0 to 1000
 Standard setting value : 150
 This parameter sets a speed arrival signal (SARA) detection range. When the motor speed reaches within ±(setting data/10)% of a specified speed, the speed arrival signal (SARA) is set to 1.

15i	16i	30i	Speed detection level							
3023	4023	4023								

Unit of data : 0.1%
 Valid data range : 0 to 1000
 Standard setting value : 30
 This parameter sets a speed detection signal (SDTA) detection range. When the motor speed is (setting data/10)% of a maximum speed or less, the speed detection signal (SDTA) is set to 1.

15i 16i 30i
3024 4024 4024

Speed zero detection level

Unit of data : 0.01%
Valid data range : 0 to 10000
Standard setting value : 75

This parameter sets a speed zero detection signal (SSTA) detection range.

When the motor speed is (setting data/100)% of a maximum speed or less, the speed zero detection signal (SSTA) is set to 1.

NOTE

<p>If the calculated speed zero detection level exceeds 200 min^{-1}, it is clamped at 200 min^{-1}. (9D53 series B (02) edition or later, 9D70 series A (01) edition or later, and 9D80 series B (02) edition or later)</p>
--

15i 16i 30i
3025 4025 4025

Torque limitation value.

Unit of data : 1%
Valid data range : 0 to 100
Standard setting value : 50

This parameter sets a torque limitation value to be applied when the torque limitation command HIGH (TLMHA) or the torque limitation command LOW (TLMLA) is specified.

The data indicates limitation values when the maximum torque is 100%.

Torque limitation command LOW (TLMLA)	Torque limitation command HIGH (TLMHA)	Description
0	0	No torque limitation is imposed.
0	1	The torque is limited to the value set in this parameter.
1	0	The torque is limited to a half of the value set in this parameter.
1	1	

15i 16i 30i
3026 4026 4026

Load detection level 1

Unit of data : 1%
Valid data range : 0 to 100
Standard setting value : 83

This parameter sets a load detection signal 1 (LDT1A) detection range. When the output of the spindle motor is (setting data)% of the maximum output or more, load detection signal 1 (LDT1A) is set to 1.

15i 16i 30i
3027 4027 4027

Load detection level 2

Unit of data : 1%
Valid data range : 0 to 100
Standard setting value : 95

This parameter sets a load detection signal 2 (LDT2A) detection range. When the output of the spindle motor is (setting data)% of the maximum output or more, load detection signal 2 (LDT2A) is set to 1.

15i 16i 30i
3056 4056 4056
3057 4057 4057
3058 4058 4058
3059 4059 4059

Gear ratio (HIGH)	CTH1A=0, CTH2A=0
Gear ratio (MEDIUM HIGH)	CTH1A=0, CTH2A=1
Gear ratio (MEDIUM LOW)	CTH1A=1, CTH2A=0
Gear ratio (LOW)	CTH1A=1, CTH2A=1

Unit of data : (Motor rotation for one rotation of spindle) / 100
(When parameter No. 4006 #1 (GRUNIT) is 1, motor rotation / 1000)
Valid data range : 0 to 32767
Standard setting : 100

These data are used to set the gear ratio between spindle and spindle motor.

Example :

When the spindle rotates once, set "250" as the data when the motor rotates 2.5 times.

A parameter is selected with the CTH1A and CTH2A input signals. Set the gear or clutch status to correspond to the clutch/gear signal (CTH1A, CTH2A) in input signals.

NOTE

When an improper value is set in these parameters, an unexpected operation can occur. For example, the spindle can continue rotating without stopping at the time of orientation. So, be sure to set a proper gear ratio.

15i 16i 30i
3095 4095 4095

Speedometer output voltage adjustment value
--

Unit of data : 0.1%
Valid data range : -1000 to +100(-100% to +10%)
Standard setting value : 0

Set this parameter when making a fine adjustment of speedometer output voltage.

Positive (+) data increases the output voltage.

NOTE

Usually, this parameter need not be adjusted.

15i 16i 30i
3096 4096 4096

Load meter output voltage adjustment value

Unit of data : 0.1%
Valid data range : -1000 to +100(-100% to +10%)
Standard setting value : 0

Set this parameter when making a fine adjustment of load meter output voltage.

Positive (+) data increases the output voltage.

NOTE

Usually, this parameter need not be adjusted.

15i 16i 30i
3122 4122 4122

Speed detection filter time constant

Unit of data : 0.1ms
Valid data range : 0 to 10000
Standard setting value : 0

This parameter sets a time constant for a filter to be applied to the velocity feedback signal.

NOTE

Usually, this parameter need not be adjusted.

15i 16i 30i
3170 4170 4170

Overload current alarm detection level

Unit of data :
Valid data range : 0 to 32767
Standard setting value : Depends on the motor model.

NOTE

Usually, this parameter need not be adjusted.

15i 16i 30i
3345 4345 4345

Specified detection level of the spindle motor speed

Unit of data : 1 min⁻¹
Valid data range : 0 to 32767
Standard setting value : 0

This parameter sets the detection level of the spindle motor speed detection function. If the specified spindle motor speed is greater than the set value, the level of the speed specification detection signal output from the spindle amplifier to the CNC becomes 1.

If the set value is 0, the level of the speed specification detection signal is always 0.

15i 16i 30i
3346 4346 4346

Incomplete integral coefficient

Unit of data :
Valid data range : 0 to 32767
Standard setting value : 0

Set this parameter to use incomplete integral function for velocity loop integral control.

NOTE

Usually, this parameter need not be adjusted.

15i 16i 30i
3351 4351 4351

Current detection offset compensation

Unit of data :
Valid data range : 0 to ± 32767
Standard setting value : 0

NOTE

Usually, this parameter need not be adjusted.

2.6.5 Diagnosis (Diagnosis Screen)

For this subsection, see Subsection 2.6.5, “Diagnosis (Diagnosis Screen)”, in Part I.

3

I/O SIGNALS (CNC↔PMC)

This chapter explains the functions of the signals directly input from the PMC to spindle amplifier (SP) via the CNC and the signals directly output from the spindle amplifier (SP) to PMC. For other spindle-related I/O signals, refer to the Connection Manual (Function) of the relevant CNC.

- (a) For Series 16i/18i/21i
“FANUC Series 16i/18i/21i-MODEL B
CONNECTION MANUAL (FUNCTION) : B-63523EN-1
Refer to Chapter 9, “SPINDLE SPEED FUNCTION.”
- (b) For Series 30i/31i/32i
“FANUC Series 30i/31i/32i-MODEL A
CONNECTION MANUAL (FUNCTION) : B-63943EN-1
Refer to Chapter 11, “SPINDLE SPEED FUNCTION.”
- (c) For Series 15i
“FANUC Series 15i-MODEL B
CONNECTION MANUAL (FUNCTION) : B-63783EN-1
Refer to Section 9.7, “SPINDLE SPEED FUNCTION.”

WARNING

- 1 Operation of each signal described in this chapter is not guaranteed if an alarm is issued or if a hardware failure or abnormal operation occurs.
- 2 A signal described in this chapter can be used as a safety function only when it is described that “the signal can be used as a safety function”.

CAUTION

Each signal described in this chapter is disabled and its operation is not guaranteed after power-on until the parameters have been transferred from the CNC to the spindle amplifier. After checking spindle operation ready signal SRSRDY and other signals (refer to the Connection Manual for the relevant CNC) to see the ready status, use the signals described in this chapter.

3.1 INPUT SIGNALS (PMC→CNC→SP)

This chapter explains the functions of the signals directly input from the PMC to spindle amplifier (SP) via the CNC and the address for signals of the first spindle or second spindle. For other spindle-related input signals, refer to the Connection Manual (Function) of the relevant CNC.

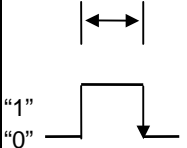
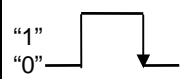
- (a) For Series 16i/18i/21i
“FANUC Series 16i/18i/21i-MODEL B
CONNECTION MANUAL (FUNCTION) : B-63523EN-1
Refer to Chapter 9, “SPINDLE SPEED FUNCTION.”
- (b) For Series 30i/31i/32i
“FANUC Series 30i/31i/32i-MODEL A
CONNECTION MANUAL (FUNCTION) : B-63943EN-1
Refer to Chapter 11, “SPINDLE SPEED FUNCTION.”
- (c) For Series 15i
“FANUC Series 15i-MODEL B
CONNECTION MANUAL (FUNCTION) : B-63783EN-1
Refer to Section 9.7, “SPINDLE SPEED FUNCTION.”

3.1.1 List of Input Signals

	15i	16i	30i	#7	#6	#5	#4	#3	#2	#1	#0
1st-	G227	G070	G070	MRDYA	ORCMA	SFRA	SRVA	CTH1A	CTH2A	TLMHA	TLMLA
2nd-	G235	G074	G074	MRDYB	ORCMB	SFRB	SRVB	CTH1B	CTH2B	TLMHB	TLMLB
1st-	G226	G071	G071			INTGA	SOCNA			*ESPA	ARSTA
2nd-	G234	G075	G075			INTGB	SOCNB			*ESPB	ARSTB
1st-	G229	G072	G072			INCMDA	OVRA		NRROA	ROTAA	INDXA
2nd-	G237	G076	G076			INCMDB	OVRB		NRROB	ROTAB	INDXB
1st-	G228	G073	G073	EPFSTRA			DSCNA	SORSLA	MPOFA		
2nd-	G236	G077	G077	EPFSTRB			DSCNB	SORSLB	MPOFB		

3.1.2 Explanation of Input Signals

The signals whose names are not listed in Subsection 3.1.1, "List of Input Signals", in Part IV are not supported by the BiS series spindle.

Symbol	Name	Description
TLMLA, B	Torque limitation command LOW	These signals limit the output torque of the spindle motor. The limit value is set in spindle parameter No. 4025.
TLMHA, B	Torque limitation command HIGH	TLML TLMH 0 0 : Torque not limited 0 1 : Limited to the parameter-set value 1 0 : Limited to about half of the parameter-set value 1 1 : Limited to about half of the parameter-set value
CTH1A, B CHT2A, B	Clutch/gear signal	These signals set the conditions listed below according to the clutch or gear status. The signals can also be used for selecting spindle control parameters. The names such as HIGH GEAR are given for convenience, and the correspondence to the actual gears is free. CTH1 CTH2 0 0 : HIGH GEAR 0 1 : MEDIUM HIGH GEAR 1 0 : MEDIUM LOW GEAR 1 1 : LOW GEAR
SRVA, B	Reverse rotation command	These signals set the rotation direction of the spindle motor when viewed from the shaft side.
SFRA, B	Forward rotation command	SRV SFR 0 0 : Stopped 0 1 : Forward rotation (CCW: Counterclockwise direction) 1 0 : Reverse rotation (CW: Clockwise direction) 1 1 : Stopped
ORCMA, B	Spindle orientation command	This signal is used to perform spindle orientation control. 0: Turns off the spindle orientation command. 1: Performs spindle orientation control.
MRDYA, B	Machine ready signal	0: Motor excitation is off. 1: Ready for operation
ARSTA, B	Spindle alarm reset signal	This signal is used to reset spindle alarms.  An alarm is reset when the signal status changes from "1" to "0".
*ESPA, B	Emergency stop signal	0: Emergency stop 1: Normal operation
SOCNA, B	Soft start/stop signal	0: Disables the soft start/stop function. 1: Enables the soft start/stop function.
INTGA, B	Velocity integral control signal	0: Enables velocity integral control. 1: Disables velocity integral control.
INDXA, B	Orientation stop position change command	 This signal is used in orientation with the stop position set external setting type. When the status of this signal changes from "1" to "0", new position stop data is input, and a movement to the new position then a stop take place.
ROTAA, B	Rotation direction command at orientation stop position change	This signal is used in orientation with the stop position set external setting type. 0: CCW (counterclockwise) 1: CW (clockwise)

Symbol	Name	Description
NRROA, B	Shortcut command at orientation stop position change	This signal is used in orientation with the stop position set external setting type. 0: The rotation direction depends on the ROTA signal setting. 1: Shortcut control (within $\pm 180^\circ$)
OVRA, B	Analog override command	0: Disables analog override. 1: Enables analog override.
INCMDA, B	Incremental command	1: Incremental command spindle orientation 0: Ordinary orientation
MPOFA, B	Motor power turn-off signal	1: Turns off the motor power.
SORSLA, B	Synchronous orientation request command	This signal requests a synchronous orientation operation. 0: Cancels synchronous orientation. 1: Requests synchronous orientation.
DSCNA, B	Disconnection detection disable signal	This signal is used to detach the feedback cable between the amplifier and motor. 0: Enables disconnection and overheat detection. 1: Disables disconnection and overheat detection.
EPFSTRA, B	Magnetic pole detection operation start signal	Signal for starting magnetic pole detection operation 0: Cancels magnetic pole detection operation. 1: Requests magnetic pole detection operation.

3.1.3 Details of Input Signals

(a) Torque limitation command signals (TLMLA, TLMHA)

For details of these signals, see Subsection 3.1.2, “Explanation of Input Signals”, in Part I.

(b) Clutch/gear signals (CTH1A, CTH2A)

For details of these signals, see Subsection 3.1.2, “Explanation of Input Signals”, in Part I.

(c) Forward rotation command signal (SFRA) and reverse rotation command signal (SRVA)

For details of these signals, see Subsection 3.1.2, “Explanation of Input Signals”, in Part I.

For these signals, see also Section 1.5, “MAGNETIC POLE DETECTION”, in Part IV.

(d) Spindle orientation command (ORCMA)

For details of this signal, see Subsection 3.1.2, “Explanation of Input Signals”, in Part I.

(e) Machine ready signal (MRDYA)

For details of this signal, see Subsection 3.1.2, “Explanation of Input Signals”, in Part I.

For this signal, see also Section 1.5, “MAGNETIC POLE DETECTION”, in Part IV.

(f) Spindle alarm reset signal (ARSTA)

For details of this signal, see Subsection 3.1.2, “Explanation of Input Signals”, in Part I.

(g) Emergency stop signal (*ESPA)

For details of this signal, see Subsection 3.1.2, “Explanation of Input Signals”, in Part I.

For this signal, see also Section 1.5, “MAGNETIC POLE DETECTION”, in Part IV.

(h) Soft start/stop signal (SOCNA)

For details of this signal, see Subsection 3.1.2, “Explanation of Input Signals”, in Part I.

(i) Velocity integral control signal (INTGA)

For details of this signal, see Subsection 3.1.2, “Explanation of Input Signals”, in Part I.

(j) Orientation stop position change command (INDXA), rotation direction command at orientation stop position change (ROTAA), shortcut command at orientation stop position change (NRROA), and incremental command (INCMDA)

For details of these signals, see Section 2.2, “POSITION CODER METHOD SPINDLE ORIENTATION”, in Part I and Section 5.3, “INCREMENTAL COMMAND TYPE SPINDLE ORIENTATION”, in Part I.

(k) Spindle analog override command (OVRA)

For details of this signal, see Subsection 3.1.2, “Explanation of Input Signals”, in Part I.

(l) Motor power turn-off signal (MPOFA)**NOTE**

Some specifications of this signal differ from those with an inductive spindle motor.

For details of this signal, see Subsection 3.1.2, “Explanation of Input Signals”, in Part I.

Some specifications of this signal differ from those with an inductive spindle motor, so carefully set this signal for the sub module SM and magnetic pole detection. See Sections 1.4, “SUB MODULE SM,” and 1.5, “MAGNETIC POLE DETECTION,” in Part IV.

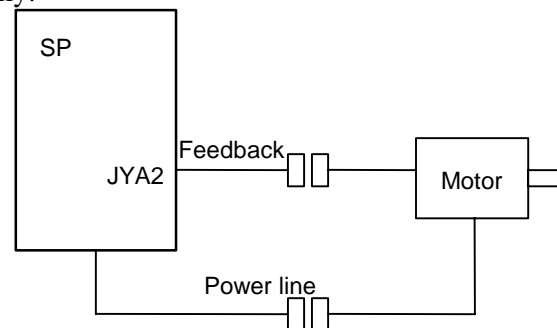
(m) Synchronous orientation request command (SORSLA)

For details of this signal, see Section 5.5, “SPINDLE ORIENTATION DURING SPINDLE SYNCHRONIZATION CONTROL”, in Part I.

(n) Disconnection detection disable signal (DSCNA)**NOTE**

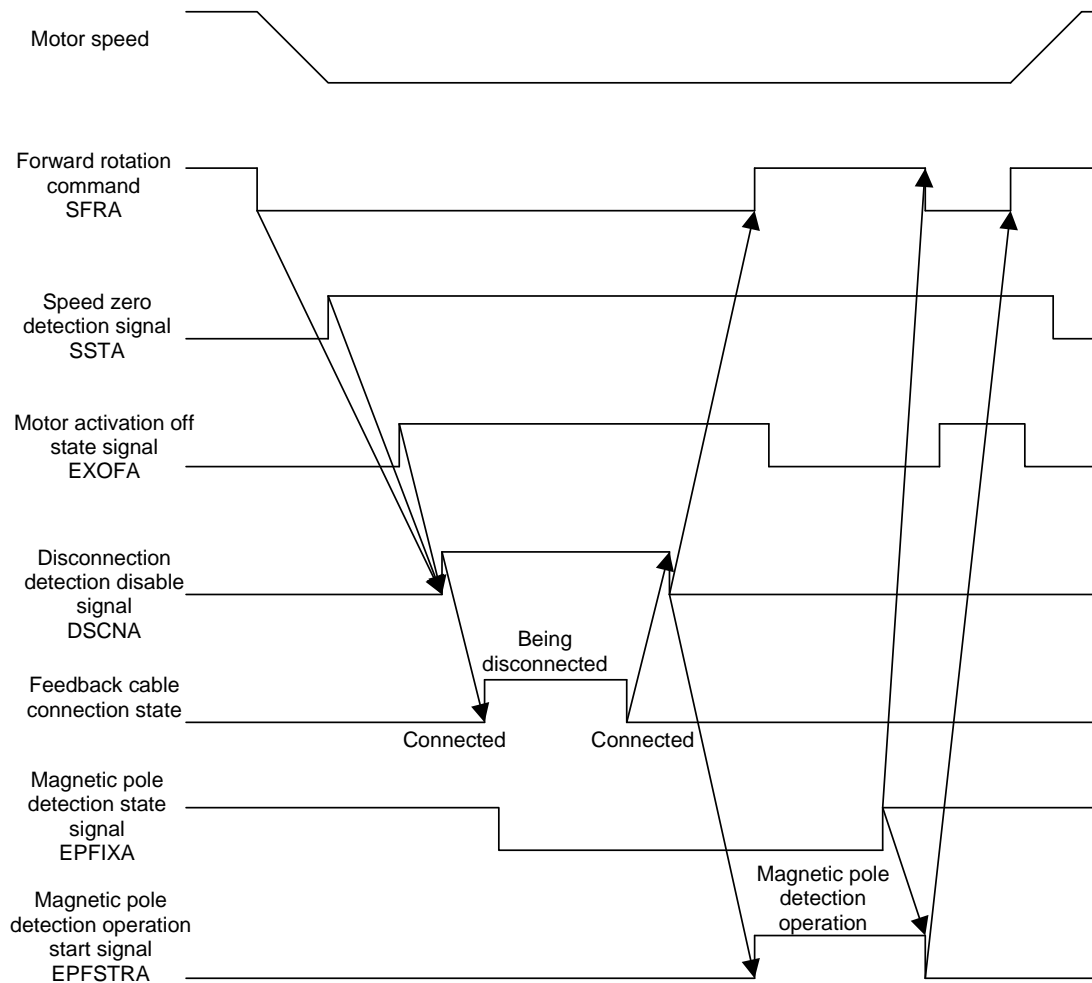
- 1 When the dual check safety function is enabled, this signal is disabled.
- 2 When the α iCZ sensor (serial) is used, this function cannot be used.
- 3 The specifications of this signal partly differ from the specifications for the inductive spindle motor.

- (1) This signal is used when the connection between the spindle amplifier and spindle motor needs to be disconnected temporarily.



- (2) When this signal is used to detach the feedback signal, motor overheat and the issuance of a feedback signal disconnection alarm can be prevented.
- (3) A motor excitation OFF state confirmation signal (EXOFA) is provided to confirm that the motor is not excited before the connected power line is detached.
- (4) Before setting this signal to 1 and disconnecting the feedback signals and power line, set all the SFRA, SRVA, ORCMA, MRDYA, and *ESPA commands to 0, and confirm that the motor excitation OFF state confirmation signal (EXOFA) has been set to 1. After completing re-connection, reset this signal to 0.
- (5) With the synchronous built-in spindle motor, the motor sensor disconnection alarm (spindle alarm 73) is issued during activation even if this signal is set to 1.
- (6) With the synchronous built-in spindle motor, the motor sensor feedback is monitored for a disconnection even while this signal is set to 1. When a disconnection is detected, the magnetic pole position undetected state (EPPFIXA = 0) is set. So, while this signal is set to 1 (not during activation, however), the motor sensor disconnection alarm (spindle alarm 73) is not detected even if the motor sensor feedback disconnection state is detected. In this case, however, the magnetic pole position undetected state is set.

(7) Sample sequence (for the synchronous built-in spindle motor)



(o) Magnetic pole detection operation start signal (EPFSTRA)

For details of this signal, see Section 1.5, “MAGNETIC POLE DETECTION”, in Part IV.

3.2 OUTPUT SIGNALS (SP→CNC→PMC)

This section explains the functions of the signals directly output from the spindle amplifier (SP) to PMC via the CNC. For other spindle-related output signals, refer to the Connection Manual (Function) of the relevant CNC.

- (a) For Series 16i/18i/21i
“FANUC Series 16i/18i/21i-MODEL B
CONNECTION MANUAL (FUNCTION) : B-63523EN-1
Refer to Chapter 9, “SPINDLE SPEED FUNCTION.”
- (b) For Series 30i/31i/32i
“FANUC Series 30i/31i/32i-MODEL A
CONNECTION MANUAL (FUNCTION) : B-63943EN-1
Refer to Chapter 11, “SPINDLE SPEED FUNCTION.”
- (c) For Series 15i
“FANUC Series 15i-MODEL B
CONNECTION MANUAL (FUNCTION) : B-63783EN-1
Refer to Section 9.7, “SPINDLE SPEED FUNCTION.”

3.2.1 List of Output Signals

	15i	16i	30i	#7	#6	#5	#4	#3	#2	#1	#0
1st-	F229	F045	F045	ORARA	TLMA	LDT2A	LDT1A	SARA	SDTA	SSTA	ALMA
2nd-	F245	F049	F049	ORARB	TLMB	LDT2B	LDT1B	SARB	SDTB	SSTB	ALMB
1st-	F231	F047	F047				EXOFA	SORENA		INCSTA	PC1DTA
2nd-	F247	F051	F051				EXOFB	SORENB		INCSTB	PC1DTB
1st-	F230	F048	F048	EPPFIXA			CSPENA	SSMBRKA			
2nd-	F246	F052	F052	EPPFIXB			CSPENB	SSMBRKB			

3.2.2 Explanation of Output Signals

The signals whose names are not listed in Subsection 3.2.1, “List of Output Signals”, in Part IV are not supported by the BiS series spindle.

Symbol	Name	Description
ALMA, B	Alarm signal	This signal is output when a spindle alarm is issued. 0: Normal state 1: Alarm state
SSTA, B	Zero speed detection signal	This signal is output when the actual rotation speed of the spindle motor has decreased to the zero speed detection level or lower. 0: Rotating 1: Zero speed state
SDTA, B	Speed detection signal	This signal is output when the actual rotation speed of the spindle motor has decreased to a predetermined rotation speed or lower. 0: Above predetermined speed 1: Predetermined speed or lower
SARA, B	Speed arrival signal	This signal is output when the actual rotation speed of the spindle motor has achieved a predetermined range for a speed command. 0: Speed not achieved 1: Speed achieved
LDT1A, B	Load detection signal 1	These signals are output when load at a set load detection level or higher is detected. Different levels can be set for LDT1A and LDT2A. 0: Lower than the set load 1: Set load or higher
LDT2A, B	Load detection signal 2	
TLMA, B	Torque limitation in-progress signal	This signal is output when the torque is being limited by the TLMLA or TLMHA signal. 0: Torque not being limited 1: Torque being limited
ORARA, B	Orientation completion signal	This signal is output when the spindle stops in the neighborhood of a predetermined position after an orientation command is input. 0: Orientation not completed 1: Orientation completed
PC1DTA, B	Position coder one-rotation signal detection state signal	This signal is used to confirm whether the position coder one-rotation signal is detected or not. 0: Position coder one-rotation signal not detected 1: Position coder one-rotation signal detected
INCSTA, B	Incremental orientation signal	This signal is used to confirm whether incremental spindle orientation is being performed or not. 0: Incremental spindle orientation is not in progress. 1: Incremental spindle orientation is in progress.
SORENA, B	Synchronous orientation enable signal	This signal is used to confirm whether synchronous orientation is enabled or not. 0: Disables synchronous orientation. 1: Enables synchronous orientation.
EXOFA, B	Motor excitation off state signal	This signal is used to confirm whether motor excitation is off. 0: Motor excitation is in progress. 1: Motor excitation is off.
SSMBRKA, B	Sub module SM (SSM) error state signal	This signal is used to check the error state of the sub module SM (SSM). 0: The SSM is normal. 1: The SSM is abnormal.

Symbol	Name	Description
CSPENA, B	Cs reference position establishment state signal	This signal is used to indicate whether Cs axis coordinate establishment processing is possible. 0: Coordinate establishment processing is impossible (with a reference position not established). 1: Coordinate establishment processing is possible (with a reference position established).
EPFIXA, B	Magnetic pole detection state signal	This signal is used to check whether magnetic pole detection is completed or not. 0: Magnetic pole detection is not completed. 1: Magnetic pole detection is completed.

3.2.3 Details of Output Signals

(a) Spindle alarm signal (ALMA)

For details of this signal, see Subsection 3.2.2, "Explanation of Output Signals", in Part I.

(b) Zero speed detection signal (SSTA)

For details of this signal, see Subsection 3.2.2, "Explanation of Output Signals", in Part I.

CAUTION

- *1 If a motor feedback signal disconnection alarm (spindle alarm 73) is issued, the status of this signal is undefined.
- *2 When bit 5 of parameter No. 4007 is set to "1", the detection operation of the feedback signal disconnection alarm is not performed. Set the parameter to "0" when not required, to enable alarm detection.

(c) Speed detection signal (SDTA)

For details of this signal, see Subsection 3.2.2, "Explanation of Output Signals", in Part I.

CAUTION

- *1 If a motor feedback signal disconnection alarm (spindle alarm 73) is issued, the status of this signal is undefined.
- *2 When bit 5 of parameter No. 4007 is set to "1", the detection operation of the feedback signal disconnection alarm is not performed. Set the parameter to "0" when not required, to enable alarm detection.

(d) Speed arrival signal (SARA)

For details of this signal, see Subsection 3.2.2, "Explanation of Output Signals", in Part I.

(e) Load detection signals (LDT1A, LDT2A)

For details of these signals, see Subsection 3.2.2, “Explanation of Output Signals”, in Part I.

(f) Torque limitation in-progress signal (TLMA)

For details of this signal, see Subsection 3.2.2, “Explanation of Output Signals”, in Part I.

(g) Orientation completion signal (ORARA)

For details of this signal, see Section 2.2, “POSITION CODER METHOD SPINDLE ORIENTATION”, in Part I.

(h) Position coder one-rotation signal detection state signal (PC1DTA)

For details of this signal, see Subsection 3.2.2, “Explanation of Output Signals”, in Part I.

(i) Incremental orientation signal (INCSTA)

For details of this signal, see Section 2.2, “POSITION CODER METHOD SPINDLE ORIENTATION”, in Part I.

(j) Synchronous orientation enable signal (SORENA)

For details of this signal, see Section 5.5, “SPINDLE ORIENTATION DURING SPINDLE SYNCHRONIZATION CONTROL”, in Part I.

(k) Motor excitation off state signal (EXOFA)

For details of this signal, see Subsection 3.1.3(p), “Disconnection detection disable signal (DSCNA)”, in Part I.

(l) Sub module SM (SSM) error state signal (SSMBRKA)

For details of this signal, see Section 1.4, “SUB MODULE SM”, in Part IV.

(m) Cs reference position establishment state signal (CSPENA)

For details of this signal, see Subsection 3.2.2, “Explanation of Output Signals”, in Part I.

(n) Magnetic pole detection state signal (EPFIXA)

For details of this signal, see Section 1.5, “MAGNETIC POLE DETECTION”, in Part IV.

4

ADJUSTMENT

4.1 VELOCITY LOOP GAIN ADJUSTMENT

4.1.1 Overview

For this subsection, see Subsection 4.1.1, “Overview”, in Part I.

4.1.2 Parameters

For this subsection, see Subsection 4.1.2, “Parameters”, in Part I.

4.1.3 Adjustment Procedure

For this subsection, see Subsection 4.1.3, “Adjustment Procedure”, in Part I.

4.1.4 Additional Information (Position Gain Adjustment)

For this subsection, see Subsection 4.1.4, “Additional Information (Position Gain Adjustment)”, in Part I.

4.2 MACHINE RESONANCE ELIMINATION

4.2.1 TCMD Filter

For this subsection, see Subsection 4.2.1, “TCMD Filter”, in Part I.

4.2.2 HRV Filter

For this subsection, see Subsection 4.2.2, “HRV Filter”, in Part I.

※When the HRV filter disable signal is used, the following spindle and CNC software products must be used.

Spindle software

Series	Edition	Usable CNC
9D53	L(12) edition or later	
9D70	L(12) edition or later	
9D80	H(08) edition or later	

CNC software (HRV filter disable signal supported)

Series	Edition	Usable CNC
B0H1	K(11) edition or later	FS16i / FS160i / FS160is-MB
BDH1	K(11) edition or later	FS18i / FS180i / FS180is-MB
BDH5	B(02) edition or later	FS18i / FS180i / FS180is-MB5
DDH1	K(11) edition or later	FS21i / FS210i / FS210is-MB
B1H1	K(11) edition or later	FS16i / FS160i / FS160is-TB
BEH1	K(11) edition or later	FS18i / FS180i / FS180is-TB
DEH1	K(11) edition or later	FS21i / FS210i / FS210is-TB
G002/G012/ G022/G032	W(23) edition or later	FS30i /300i /300is-A
G003/G013/ G023/G033	F(06) edition or later	
G121/G131	W(23) edition or later	FS31i / FS310i / FS310is-A5
G123/G133	F(06) edition or later	
G101/G111	W(23) edition or later	FS31i / FS310i / FS310is-A
G103/G133	F(06) edition or later	
G201	W(23) edition or later	FS32i / FS320i / FS320is-A
G203	F(06) edition or later	

4.2.3 Disturbance Input Function

For this subsection, see Subsection 4.2.3, “Disturbance Input Function”, in Part I.

4.3 **AMPLITUDE RATIO/PHASE DIFFERENCE COMPENSATION FUNCTION**

For this section, see Subsection 4.3, “AMPLITUDE RATIO/PHASE DIFFERENCE COMPENSATION FUNCTION”, in Part I.

5

FUNCTION DESCRIPTIONS

5.1 SPEED RANGE SWITCHING CONTROL (OPTIONAL FUNCTION)

The BiS series spindle (synchronous built-in spindle motor) does not support this function.

5.2 SPINDLE SWITCHING CONTROL

The BiS series spindle (synchronous built-in spindle motor) does not support this function.

5.3 INCRMENTAL COMMAND TYPE SPINDLE ORIENTATION (SPINDLE ROTATION SPEED CONTROL) (OPTIONAL FUNCTION)

5.3.1 Overview

For this subsection, see Subsection 5.3.1, “Overview”, in Part I.

5.3.2 Series and Editions of Applicable Spindle Software

Spindle software

Series	Edition	Usable CNC
9D53	A (01) edition or later	FS16i / FS18i / FS21i / FS0i / FS15i
9D70	A (01) edition or later	FS30i / FS31i / FS32i
9D80	B (02) edition or later	FS16i / FS18i / FS21i / FS0i / FS15i FS30i / FS31i / FS32i

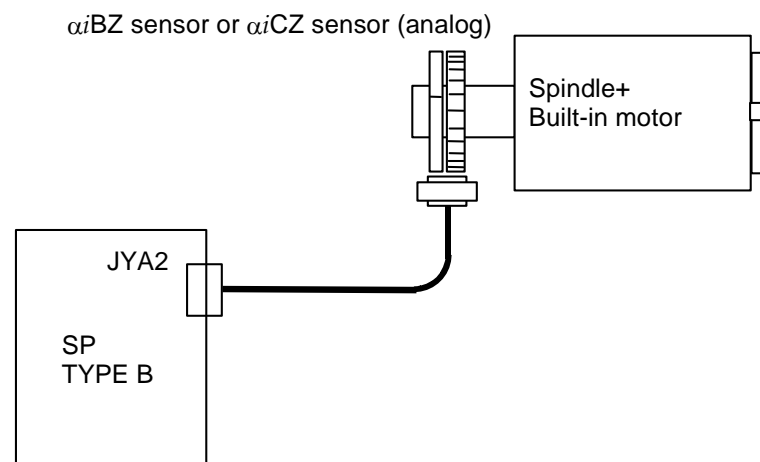
NOTE

When using the α iCZ sensor (serial) as the motor or spindle sensor, use 9D80 series H (08) edition.

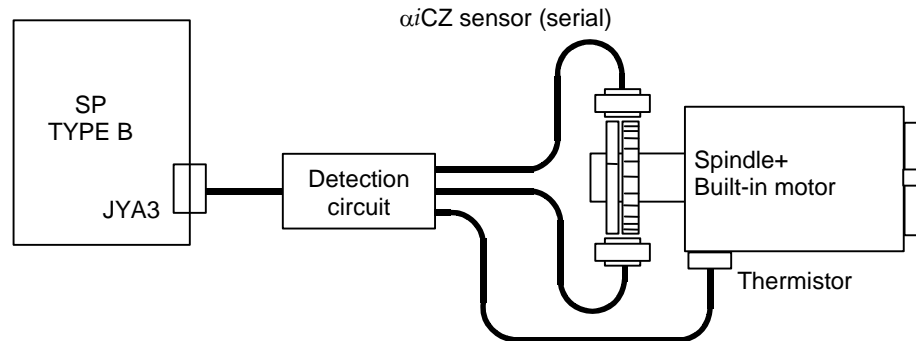
5.3.3 System Configuration

The incremental command type spindle orientation function can be used in the following system configuration.

(1) When the α iBZ sensor or α iCZ sensor (analog) is used



(2) When the α iCZ sensor (serial) is used



5.3.4 I/O Signals (CNC↔PMC)

(1) Address list of input signals (PMC→CNC)

	15i	16i	30i	#7	#6	#5	#4	#3	#2	#1	#0
1st-	G227	G070	G070		ORCMA			CTH1A	CTH2A		
2nd-	G235	G074	G074		ORCMB			CTH1B	CTH2B		
1st-	G229	G072	G072			INCMDA			NRROA	ROTA	INDXA
2nd-	G237	G076	G076			INC MDB			NRROB	ROTAB	INDXB
1st-	G230	G078	G078	SHA07	SHA06	SHA05	SHA04	SHA03	SHA02	SHA01	SHA00
2nd-	G238	G080	G080	SHB07	SHB06	SHB05	SHB04	SHB03	SHB02	SHB01	SHB00
1st-	G231	G079	G079					SHA11	SHA10	SHA09	SHA08
2nd-	G239	G081	G081					SHB11	SHB10	SHB09	SHB08

(2) Details of input signals (PMC→CNC)

For this item, see Subsection 5.3.4(2), “Details of input signals (PMC→CNC)”, in Part I.

(3) Address list of output signals (CNC→PMC)

	15i	16i	30i	#7	#6	#5	#4	#3	#2	#1	#0
1st-	F229	F045	F045	ORARA							
2nd-	F245	F049	F049	ORARB							
1st-	F221	F047	F047							INCSA	
2nd-	F247	F051	F051							INCSTB	

(4) Details of output signals (CNC→PMC)

For this item, see Subsection 5.3.4(4), “Details of output signals (CNC→PMC)”, in Part I.

5.3.5 Examples of Sequences

For this subsection, see Subsection 5.3.5, “Examples of Sequences”, in Part I.

5.3.6 List of Related Parameters

Parameter No.			Description
15 <i>i</i>	16 <i>i</i>	30 <i>i</i>	
3015 #0	4015 #0	4015 #0	Whether the spindle orientation function is available (to be set to “1”) (The CNC software option is required.)
5609#2	3702#3,#2	3729#0	Whether the stop position external setting-type spindle orientation function is available (to be set to “1”) (For 16 <i>i</i> , #2: First spindle, #3: Second spindle)
3328	4328	4328	Command multiplier for incremental command external setting data

NOTE

This subsection describes only the parameters specific to incremental command type spindle orientation. See Section 2.2, “POSITION CODER METHOD SPINDLE ORIENTATION” in Part I, for parameters related to other types of spindle orientation.

5.3.7 Details of Related Parameters

For this subsection, see Subsection 5.3.7, “Details of Related Parameters”, in Part I.

5.4 CONVENTIONAL METHOD ORIENTATION (OPTIONAL FUNCTION)

5.4.1 Overview

For this subsection, see Subsection 5.4.1, “Overview”, in Part I.

NOTE

*1 For the BiS series spindle (synchronous built-in spindle motor),

Parameter No. 4084

is used for the AMR offset function (not for the motor voltage on orientation).

If an inappropriate value is set for the AMR offset, the motor may move unpredictably.

*2 For AMR offset function, see Subsection 1.5.3, “AMR Offset Function”, in Part I.

5.4.2 Series and Editions of Applicable Spindle Software

Spindle software

Series	Edition	Usable CNC
9D53	A (01) edition or later	FS16i / FS18i / FS21i, FS0i, FS15i
9D70	A (01) edition or later	FS30i / FS31i / FS32i
9D80	A (01) edition or later	FS16i / FS18i / FS21i, FS0i, FS15i, FS30i / FS31i / FS32i

NOTE

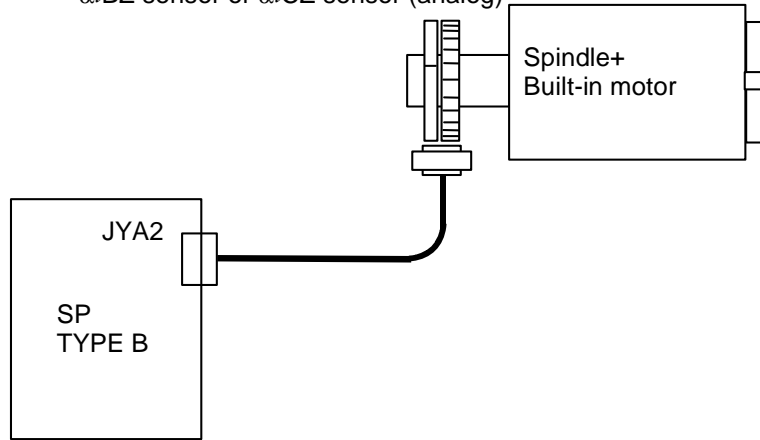
When using the α iCZ sensor (serial) as the motor or spindle sensor, use 9D80 series H (08) edition.

5.4.3 System Configuration

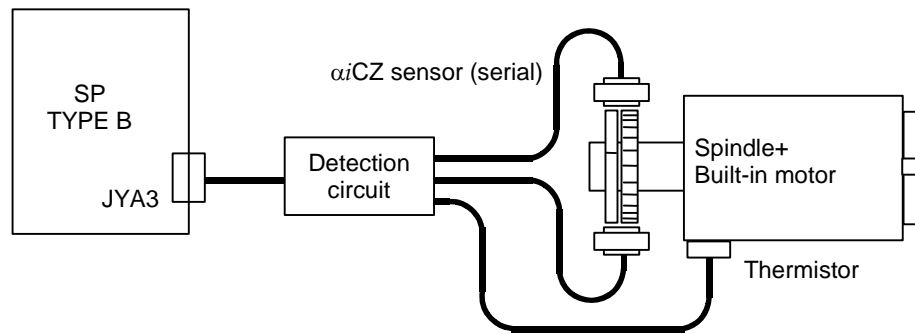
Explained below is a system configuration in which the conventional method orientation function is usable.

(1) When the α iBZ sensor or α iCZ (analog) sensor is used

α iBZ sensor or α iCZ sensor (analog)



(2) When the α iCZ (serial) sensor is used



5.4.4 I/O Signals (CNC↔PMC)

For this subsection, see Section 2.2, “POSITION CODER METHOD SPINDLE ORIENTATION”, and Section 5.3, “INCREMENTAL COMMAND TYPE SPINDLE ORIENTATION”, in Part I.

5.4.5 Sequence

For this subsection, see Subsection 5.4.5, “Sequence”, in Part I.

5.4.6 List of Related Parameters

For this subsection, see Subsection 5.4.6, “List of Related Parameters”, in Part I.

5.4.7 Details of Related Parameters

For this subsection, see Subsection 5.4.7, “Details of Related Parameters”, in Part I.

5.4.8 Adjusting the Orientation Stop Position Shift Parameter

For this subsection, see Subsection 5.4.8, “Adjusting the Orientation Stop Position Shift Parameter”, in Part I.

5.4.9 Calculating the Position Gain for Orientation

For this subsection, see Subsection 5.4.9, “Calculating the Position Gain for Orientation”, in Part I.

5.4.10 Calculating the Orientation Time

For this subsection, see Subsection 5.4.10, “Calculating the Orientation Time”, in Part I.

5.5 SPINDLE ORIENTATION DURING SPINDLE SYNCHRONOUS CONTROL (OPTIONAL FUNCTION)

5.5.1 Overview

For this subsection, see Subsection 5.5.1, “Overview”, in Part I.

5.5.2 Series and Editions of Applicable Spindle Software

Spindle software

Series	Edition	Usable CNC
9D53	B (02) edition or later	FS16i / FS18i / FS21i, FS0i
9D70	A (01) edition or later	FS30i / FS31i / FS32i
9D80	B (02) edition or later	FS16i / FS18i / FS21i, FS0i, FS30i / FS31i / FS32i

NOTE

When using the α iCZ sensor (serial) as the motor or spindle sensor, use 9D80 series H (08) edition.

5.5.3 Specification

For this subsection, see Subsection 5.5.3, “Specification”, in Part I.

5.5.4 I/O Signals (CNC↔PMC)

(1) Address list of input signals (PMC→CNC)

(a) For path 1

	16i	30i	#7	#6	#5	#4	#3	#2	#1	#0
	G038	G038					SPPHS	SPSYC		
1st-	G072	G072							ROTAA	
2nd-	G076	G076							ROTAB	
1st-	G073	G073					SORSLA			
2nd-	G077	G077					SORSLB			
1st-	G078	G078	SHA07	SHA06	SHA05	SHA04	SHA03	SHA02	SHA01	SHA00
2nd-	G080	G080	SHB07	SHB06	SHB05	SHB04	SHB03	SHB02	SHB01	SHB00
1st-	G079	G079					SHA11	SHA10	SHA09	SHA08
2nd-	G081	G081					SHB11	SHB10	SHB09	SHB08

(b) For path 2

	16i	30i	#7	#6	#5	#4	#3	#2	#1	#0
	G1038	G1038					SPPHS	SPSYC		
1st-	G1072	G1072							ROTAA	
2nd-	G1076	G1076							ROTAB	
1st-	G1073	G1073					SORSLA			
2nd-	G1077	G1077					SORSLB			
1st-	G1078	G1078	SHA07	SHA06	SHA05	SHA04	SHA03	SHA02	SHA01	SHA00
2nd-	G1080	G1080	SHB07	SHB06	SHB05	SHB04	SHB03	SHB02	SHB01	SHB00
1st-	G1079	G1079					SHA11	SHA10	SHA09	SHA08
2nd-	G1081	G1081					SHB11	SHB10	SHB09	SHB08

(2) Details of input signals (PMC→CNC)

- (a) Spindle synchronous control command (SPSYC)
- (b) Spindle phase synchronous control command or synchronous orientation command (SPPHS)
- (c) Synchronous orientation request command (SORSLA)
- (d) Synchronous orientation external stop position command (SHA11 to SHA00)
- (e) Rotation direction command for synchronous (ROTAA)

For the input signals SPSYC, SPPHS, SORSLA, SHA11 to SHA00, and ROTAA, see Subsection 5.5.4(2), “Details of input signals (PMC→CNC)”, in Part I.

(3) Address list of output signals (CNC→PMC)

(a) For path 1

	16i	30i	#7	#6	#5	#4	#3	#2	#1	#0
	F044	F044				SYCAL	FSPPH	FSPSY		
1st-	F047	F047					SORENA			
2nd-	F051	F051					SORENB			

(b) For path 2

	16i	30i	#7	#6	#5	#4	#3	#2	#1	#0
	F1044	F1044				SYCAL	FSPPH	FSPSY		
1st-	F1047	F1047					SORENA			
2nd-	F1051	F1051					SORENB			

(4) Details of output signals (CNC→PMC)

- (a) Synchronous orientation permission signal (SORENA)
- (b) Spindle speed synchronous control completion signal (FSPSY)
- (c) Spindle phase synchronous control completion signal or synchronous orientation completion signal (FSPPH)
- (d) Phase synchronous error monitor signal (SYCAL)

For the output signals SORENA, FSPSY, FSPPH, and SYCAL, see Subsection 5.5.4 (4), “Details of output signals (CNC→PMC)”, in Part I.

5.5.5 Sequence

For this subsection, see Subsection 5.5.5, “Sequence”, in Part I.

5.5.6 List of Related Parameters

Parameter No.		Description
16i	30i	
4800#1,#0	4801#0	Direction in which each of spindles rotates under spindle synchronous control (For 16i: #0: First spindle: #1: Second spindle. For 30i: Each spindle)
4810	4810	That error pulse difference between two spindles on which the spindle phase synchronous completion signal is output
4811	4811	That error pulse difference between two spindles on which the spindle phase synchronous error monitor signal is output
3702#3,#2	3729#0	Whether the stop position external setting-type spindle orientation function is available (For 16i: #0: First spindle: #1: Second spindle. For 30i: Each spindle)
4006#4	4006#4	Setting for disabling automatic detection of a one-rotation signal when the spindle synchronous control mode is switched
4014#6	4014#6	Whether the synchronous orientation function is available
4032	4032	Acceleration at spindle synchronous control (It is necessary to specify the same value for the first and second spindles.)
4033	4033	Spindle synchronous speed arrival level
4034	4034	Shift amount at spindle phase synchronous control
4035	4035	Spindle phase synchronous compensation data
4044	4044	Velocity proportional gain on spindle synchronous control
4045	4045	(This parameter is selected with the input signal CTH1A.)
4052	4052	Velocity integral gain on spindle synchronous control
4053	4053	(This parameter is selected with the input signal CTH1A.)
4056 to 4059	4056 to 4059	Gear ratio data between spindle and motor (These parameters are selected with the input signals CTH1A and CTH2A.)
4065 to 4068	4065 to 4068	Position gain on spindle synchronous control (It is necessary to specify the same value for the first and second spindles.) (These parameters are selected with the input signals CTH1A and CTH2A.)
4075	4075	Orientation completion signal detection level
4336	4336	Acceleration magnetic flux switching point for spindle synchronous control (It is necessary to specify the same value for the first and second spindles.)
4340	4340	Bell-shaped acceleration/deceleration time constant for spindle synchronous control (It is necessary to specify the same value for the first and second spindles.)
4369	4369	Synchronous orientation deceleration coefficient

NOTE

- 1 See Section 1.3, "PARAMETERS RELATED TO DETECTORS", in Part IV for parameters related to detectors.
- 2 See Section 4.1, "VELOCITY LOOP GAIN ADJUSTMENT", in Part IV for velocity loop proportional/integral gain tuning.
- 3 See "Function Description: Spindle Synchronous Control" for parameters related to the spindle synchronous control function.

5.5.7 Details of Related Parameters

For this subsection, see Subsection 5.5.7, "Details of Related Parameters", in Part I.

5.6 SPINDLE FINE ACC./DEC. (FAD) FUNCTION

5.6.1 Overview

For this subsection, see Subsection 5.6.1, “Overview”, in Part I.

5.6.2 Series and Editions of Applicable Spindle Software

Spindle software

Series	Edition	Remark
9D53	B (02) edition or later	
9D80	B (02) edition or later	

NOTE

When using the α iCZ sensor (serial) as the motor or spindle sensor, use 9D80 series H (08) edition.

CNC software

Series	Edition	Remark
B0H1	M (13) edition or later	For the FANUC Series 16i/160i/160is-MB
BDH1	M (13) edition or later	For the FANUC Series 18i/180i/180is-MB
BDH5	C (03) edition or later	For the FANUC Series 18i/180i/180is-MB5
DDH1	M (13) edition or later	For the FANUC Series 21i/210i/210is-MB
B1H1	M (13) edition or later	For the FANUC Series 16i/160i/160is-TB
BEH1	M (13) edition or later	For the FANUC Series 18i/180i/180is-TB
DEH1	M (13) edition or later	For the FANUC Series 21i/210i/210is-TB

5.6.3 Block Diagram

For this subsection, see Subsection 5.6.3, “Block Diagram”, in Part I.

5.6.4 Parameters

For this subsection, see Subsection 5.6.4, “Parameters”, in Part I.

5.6.5 Diagnosis (Diagnosis Screen)

For this subsection, see Subsection 5.6.5, “Diagnosis (Diagnosis Screen)”, in Part I.

5.6.6 Status Errors

For this subsection, see Subsection 5.6.6, “Status Errors”, in Part I.

5.6.7 Cautions

For this subsection, see Subsection 5.6.7, “Cautions”, in Part I.

5.7 UNEXPECTED DISTURBANCE TORQUE DETECTION FUNCTION (OPTIONAL FUNCTION)

5.7.1 Overview

For this subsection, see Subsection 5.7.1, “Overview”, in Part I.

5.7.2 Series and Editions of Applicable Spindle Software

Spindle software

Series	Edition	Remark
9D53	E (05) edition or later	FS16 <i>i</i> / FS18 <i>i</i> / FS21 <i>i</i> , FS0 <i>i</i> , FS15 <i>i</i>
9D70	D (04) edition or later	FS30 <i>i</i> / FS31 <i>i</i> / FS32 <i>i</i>
9D80	B (02) edition or later	FS16 <i>i</i> / FS18 <i>i</i> / FS21 <i>i</i> , FS0 <i>i</i> , FS15 <i>i</i> , FS30 <i>i</i> / FS31 <i>i</i> / FS32 <i>i</i>

5.7.3 I/O Signals (CNC↔PMC)

(1) Address list of output signals (CNC→PMC)

16i	30i	#7	#6	#5	#4	#3	#2	#1	#0
F090	F090					ABTSP3	ABTSP2	ABTSP1	
F091	F091				ABTSP4				

15i									
F155		AQSP2	AQSP1						
F154						AQSP4	AQSP3		

(2) Details of output signals (CNC→PMC)

- (a) First-spindle unexpected disturbance torque detection signals (ABTSP1 and AQSP1)
- (b) Second-spindle unexpected disturbance torque detection signals (ABTSP2 and AQSP2)
- (c) Third-spindle unexpected disturbance torque detection signals (ABTSP3 and AQSP3)
- (d) Fourth-spindle unexpected disturbance torque detection signals (ABTSP4 and AQSP4)

These signals are output when the estimated load torques on the respective spindles become higher than or equal to the set level. Refer to an applicable CNC Connection Manual (Function) for details.

- (a) For Series 16i/18i/21i
“FANUC Series 16i/18i/21i-MODEL B CONNECTION MANUAL (FUNCTION) : B-63523EN-1 Refer to Section 2.10, “ABNORMAL LOAD DETECTION.”
- (b) For Series 30i/31i/32i
“FANUC Series 30i/31i/32i-MODEL A CONNECTION MANUAL (FUNCTION) : B-63943EN-1 Refer to Section 2.9, “UNEXPECTED DISTURBANCE TORQUE DETECTION FUNCTION.”
- (c) For Series 15i
“FANUC Series 15i-MODEL B CONNECTION MANUAL (FUNCTION) : B-63783EN-1 Refer to Section 2.9, “ABNORMAL LOAD DETECTION.”

5.7.4 List of Related Parameters

Parameter No.			Description
15i	16i	30i	
3015 #1	4015 #1	4015 #1	Whether the unexpected disturbance torque detection function is available (The CNC software option is required.)
3248	4248	4248	Torque constant for spindle load torque monitoring
3249	4249	4249	Observer gain 1 for spindle load torque monitoring
3250	4250	4250	Observer gain 2 for spindle load torque monitoring
3341	4341	4341	Unexpected disturbance torque detection level

5.7.5 Details of Related Parameters

For this subsection, see Subsection 5.7.5, “Details of Related Parameters”, in Part I.

5.7.6 Parameter Tuning Procedure

For this subsection, see Subsection 5.7.6, “Parameter Tuning Procedure”, in Part I.

5.8 SPINDLE EGB (SPINDLE ELECTRONIC GEAR BOX) (OPTIONAL FUNCTION)

5.8.1 Overview

The spindle EGB function is intended to use one of spindles in a pair as a tool axis (master axis) and the other as a workpiece axis (slave axis) and cause the slave axis to rotate in synchronization with the master axis at a specified synchronous ratio. Refer to an applicable CNC Connection Manual (Function) for details of this function.

(a) For Series 16i/18i

“FANUC Series 16i/18i/21i-MODEL B

CONNECTION MANUAL (FUNCTION) : B-63523EN-1

Refer to Section 1.14.2, “Spindle Electronic Gear Box (M series).”

NOTE

- 1 Using this function requires the CNC software option.
- 2 Using this function requires spindle amplifier (SP) type B for both the master and slave axes.
- 3 For the master and slave axes, use the spindle software of the same series and edition.
- 4 This function cannot be used together with the spindle fine Acc./Dec. (FAD) function.
- 5 This function cannot be used together with the torque tandem control function.
- 6 This function cannot be used with the FANUC Series 15i-MODEL B.
- 7 This function cannot be used with the FANUC Series 30i/31i/32i.
- 8 There are no limitations on the assignment of the master and slave axes.

For descriptive purposes, this specification assumes:

Master spindle amplifier: First spindle

Slave spindle amplifier: Second spindle

5.8.2 Series and Editions of Applicable Spindle Software

Spindle software

Series	Edition	Remark
9D53	B (02) edition or later	
9D80	B (02) edition or later	

NOTE

When using the α iCZ sensor (serial) as the motor or spindle sensor, use 9D80 series H (08) edition.

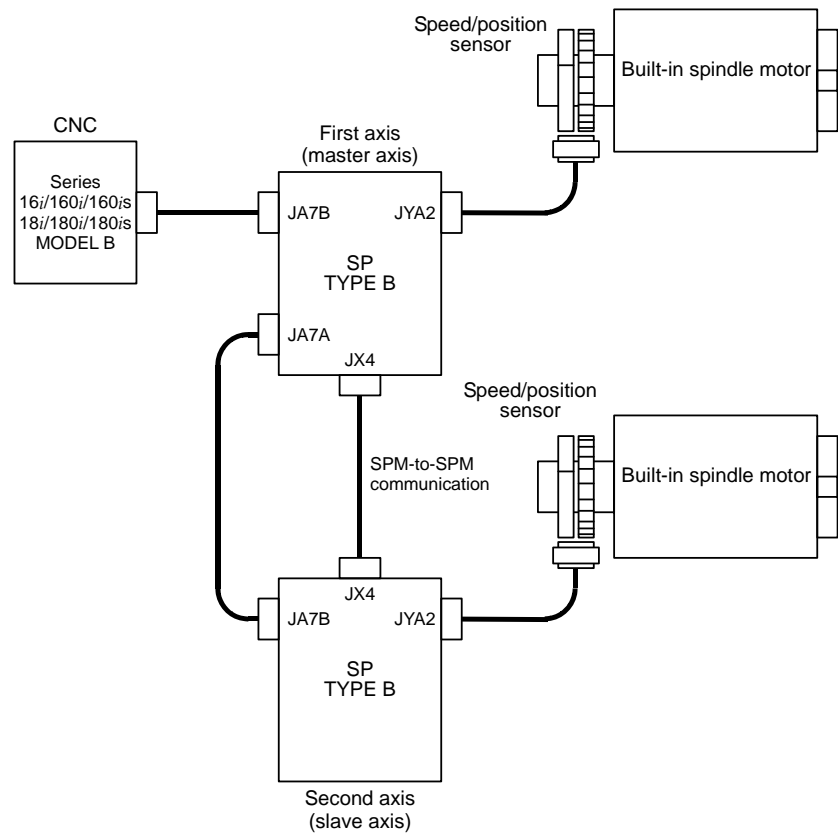
CNC software

Series	Edition	Remark
B0H1	A (01) edition or later	For FANUC Series 16i/160i/160is-MB
BDH1	A (01) edition or later	For FANUC Series 18i/180i/180is-MB
BDH5	A (01) edition or later	For FANUC Series 18i/180i/180is-MB5

5.8.3 System Configuration

The spindle EGB function is usable in the following system configuration.

(1) System configuration with built-in motors



NOTE

When using the α iCZ sensor (serial) as the motor sensor, connect the feedback cable to JYA3.

Parameter settings related to detectors

Parameter	Setting	Description
4000#0	0	The spindle and motor rotates in the same direction.
4002#3,#2,#1,#0	0,0,0,1	The motor sensor is used for position feedback.
4003#7,#6,#5,#4	0,0,0,0	It is unnecessary to specify the number of the spindle sensor teeth.
4010#2,#1,#0	0,0,1	α iMZ/ α iBZ/ α iCZ sensor (analog)
	0,1,1	α iCZ sensor (serial)
4011#2,#1,#0 or 4334	Depending on the sensor.	Setting for the number of motor sensor (speed sensor) teeth
4056 to 4059	100 or 1000	The spindle-to-motor gear ratio is 1:1. (The settings for these parameters vary depending on the gear ratio increment system specified in bit 1 or parameter No. 4006.)
4386 (*)	Depending on the sensor.	Setting for the number of master-axis motor sensor (speed sensor) teeth

(*) This parameter is valid only for the slave axis (second spindle).

5.8.4 Block Diagram

For this subsection, see Subsection 5.8.4, “Block Diagram”, in Part I.

5.8.5 I/O Signals (CNC↔PMC)

This subsection lists only the input/output signals related to the spindle EGB. Refer to an applicable CNC Connection Manual (Function) for details of each signal.

- (a) For Series 16i/18i
FANUC Series 16i/18i/21i-MODEL B
Connection Manual (Function): B-63523EN-1
Refer to Subsection 1.14.2, “Spindle Electronic Gear Box (M series).”

(1) Input signals (PMC→CNC)

	#7	#6	#5	#4	#3	#2	#1	#0
G066				RTRCT				

(2) Output signals (CNC→PMC)

	#7	#6	#5	#4	#3	#2	#1	#0
F065		SYNMOD		RTRCTF				

5.8.6 Examples of Sequences

Refer to an applicable CNC Connection Manual (Function) for spindle EGB sequences.

- (a) For Series 16i/18i
FANUC Series 16i/18i/21i-MODEL B
CONNECTION MANUAL (FUNCTION) : B-63523EN-1
Refer to Section 1.14.2, “Spindle Electronic Gear Box (M series).”

5.8.7 List of Related Parameters

Parameter No. 16i	Description
7700#0	Direction for helical compensation
7700#2	Setting for releasing the synchronous mode at a reset
7709	Axis number for helical gear axial feed axis
7710	Spindle EGB slave axis number
7771	Spindle EGB master axis number
7772	The number of pulses the position sensor generates at each rotation of the tool axis (master axis) (Specify 360,000 for the IS-B.)
7773	The number of pulses the position sensor generates at each rotation of the workpiece axis (slave axis) (Specify 360,000 for the IS-B.)
8005#4	Setting for the type of the PMC axis control constant-speed command function
8028	Time constant for linear-shaped Acc./Dec. in speed command-based continuous feed for each axis in PMC-based axis control
8040	Number of pulses the position sensor generates at each rotation of the spindle on a PMC-controlled axis (Specify 360,000 for the IS-B.)
4016#3	Setting for the feed-forward smoothing function
4352#4	Feed-forward setting
4352#6	Inter-SPM communication slave axis setting
4352#7	Inter-SPM communication master axis setting
4036	Feed forward coefficient
4037	Velocity loop feed forward coefficient
4046	Velocity proportional gain on Cs contouring control
4047	(This parameter is selected with the PMC input signal CTH1A.)
4054	Velocity integral gain on Cs contouring control
4055	(This parameter is selected with the PMC input signal CTH1A.)
4069 to 4072	Position gain on Cs contouring control (This parameter is selected with the PMC input signal CTH1A.)
4386	Number of master-axis spindle sensor teeth
4387	Synchronous ratio numerator
4388	Synchronous ratio denominator
4498	Denominator of the master-axis motor sensor-to-spindle arbitrary gear ratio
4499	Numerator of the master-axis motor sensor-to-spindle arbitrary gear ratio
4396#2	Setting for on-off switching of the EGB command in the Cs contouring control mode

NOTE

- 1 See Section 1.3, "PARAMETERS RELATED TO DETECTORS" in Part IV for parameters related to detectors.
- 2 See Section 4.1, "VELOCITY LOOP GAIN ADJUSTMENT", in Part IV for velocity loop proportional/integral gain tuning.

5.8.8 Details of Related Parameters

For this subsection, see Subsection 5.8.8, “Details of Related Parameters”, in Part I.

5.8.9 Diagnosis Signal Related to Spindle EGB

Address	Description	Unit
16i		
0717	Synchronous error between master and slave axes. (Weight is slave side)	Pulse

NOTE

- 1 Displaying this data on the CNC diagnosis screen requires the *αi* spindle amplifier (SP) TYPE B and the *i* series MODEL B CNC.
- 2 Displaying this data on the CNC diagnosis screen requires the following CNC software series/editions.
 FS16i/160i/160is-MB :
 B0H1 series R(18) edition or later
 FS18i/180i/180is-MB :
 BDH1 series R(18) edition or later
 FS18i/180i/180is-MB5 :
 BDH5 series H(08) edition or later

5.8.10 Status Errors Related to Spindle EGB

Error No.	Description	Measure
33	Invalid hardware configuration	Check the model of the CNC in use.
34	An attempt was made to enable both the spindle EGB and FAD functions.	To use the spindle EGB function, disable the spindle FAD function.

5.8.11 Alarms

For this subsection, see Subsection 5.8.11, “Alarms”, in Part I.

5.9 DIFFERENTIAL SPINDLE SPEED CONTROL

The BiS series spindle (synchronous built-in spindle motor) does not support this function.

5.10 DUAL POSITION FEEDBACK FUNCTION (OPTIONAL FUNCTION)

The BiS series spindle (synchronous built-in spindle motor) does not support this function.

5.11 TORQUE TANDEM CONTROL FUNCTION (OPTIONAL FUNCTION)

The BiS series spindle (synchronous built-in spindle motor) does not support this function.

5.12 MAGNETIC SENSOR METHOD SPINDLE ORIENTATION (OPTIONAL FUNCTION)

The BiS series spindle (synchronous built-in spindle motor) does not support this function.

5.13 SPINDLE BACKLASH ACCELERATION FUNCTION (OPTIONAL FUNCTION)

5.13.1 Overview

For this subsection, see Subsection 5.13.1, “Overview”, in Part I.

5.13.2 Series and Editions of Applicable Spindle Software

Spindle software

Series	Edition	Usable CNC
9D53	G (07) edition or later	FS16i / FS18i / FS21i, FS0i, FS15i
9D70	F (06) edition or later	FS30i / FS31i / FS32i
9D80	B (02) edition or later	FS16i / FS18i / FS21i, FS0i, FS15i , FS30i / FS31i / FS32i

NOTE

When using the α iCZ sensor (serial) as the motor or spindle sensor, use 9D80 series H (08) edition.

5.13.3 Block Diagram

For this subsection, see Subsection 5.13.3, “Block Diagram”, in Part I.

5.13.4 Parameters

For this subsection, see Subsection 5.13.4, “Parameters”, in Part I.

5.13.5 Example of Adjustment

For this subsection, see Subsection 5.13.5, “Example of Adjustment”, in Part I.

5.14 HIGH-SPEED SPINDLE ORIENTATION (OPTIONAL FUNCTION)

5.14.1 Overview

For this subsection, see Subsection 5.14.1, “Overview”, in Part I.

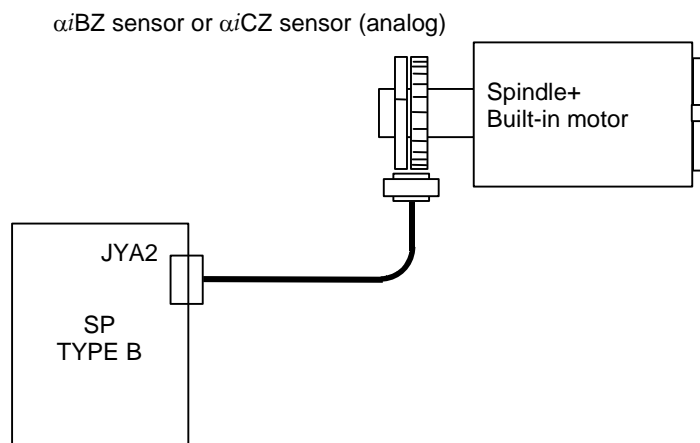
NOTE

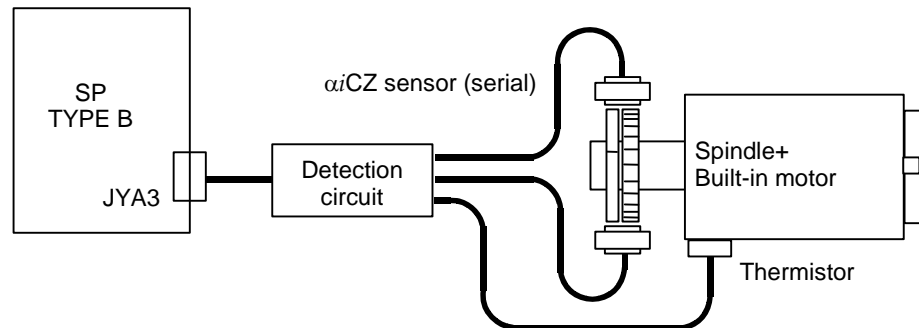
- *1 When driving the BiS series spindle (synchronous built-in spindle motor), parameter No.4084 is used for AMR offset function.(The parameter isn't the motor voltage for spindle orientation)
Be sure that if an inappropriate value is set for the AMR offset, the motor may move unpredictably.
- *2 For AMR offset function, see Subsection 1.5.3, “AMR Offset Function”, in Part I.

5.14.2 System Configuration

The system configurations that enable the use of the high-speed orientation function are shown below.

(1) When the α iBZ sensor or α iCZ sensor (analog) is used



(2) When the α iCZ sensor (serial) is used**5.14.3 I/O Signals (CNC \leftrightarrow PMC)**

For this subsection, see Sections 2.2, “POSITION CODER METHOD SPINDLE ORIENTATION”, and 5.3, “INCREMENTAL COMMAND TYPE SPINDLE ORIENTATION (SPINDLE ROTATION SPEED CONTROL)” in Part I.

5.14.4 Sequence

For this subsection, see Subsection 5.14.5, “Sequence”, in Part I.

5.14.5 List of Related Parameters

For this subsection, see Subsection 5.14.6, “List of Related Parameters”, in Part I.

5.14.6 Details of Related Parameters

For this subsection, see Subsection 5.14.7, “Details of Related Parameters”, in Part I.

5.14.7 Spindle Data Used in Tuning

For this subsection, see Subsection 5.14.8, “Spindle Data Used in Tuning”, in Part I.

5.14.8 Tuning Procedure

For this subsection, see Subsection 5.14.9, “Tuning Procedure”, in Part I.

APPENDIX

A

SPINDLE PARAMETER TABLE

A.1 α i SERIES SPINDLE PARAMETER TABLE

α i series spindle parameters are classified into the following types:

A : Parameters related to the setup of detectors

B : Parameters related to the setup of various functions (operating modes)

C : Unique parameters for the drive of spindle motors

(Set the parameter data according to the parameter list for each motor model.)

D : Parameters related to the setting of alarm detection conditions

MH, ML, SH, and SL in the table represent the following:

MH: Parameter for speed range switch high-speed characteristics on the main side of spindle switching (for standard motors)

ML: Parameter for speed range switch low-speed characteristics on the main side of spindle switching

SH: Parameter for speed range switch high-speed characteristics on the sub-side of spindle switching

SL: Parameter for speed range switch low-speed characteristics on the sub-side of spindle switching

Internal data No. F-xxx	15i	16i	30i	bit	Standard initial setting data	Contents	Application				Classification	Reference item
							MH	ML	SH	SL		
0H	3000	4000	4000	#0	0	Rotation direction relationship between the spindle and motor	O	O			A	I-1.3.2
				#1	0	Spindle rotation direction when a positive (+) move command is specified on Cs contouring control	O	O			B	I-2.4.8
				#3	0	Return direction for the reference position on Cs contouring control mode	O	O			B	I-2.4.8
				#4	0	Return direction for the reference position on servo mode	O	O			B	I-2.3.7
				#5	0	Whether to use the differential spindle speed control function	O	O			B	I-5.9.8
				#6	0	Direction for differential spindle speed control	O	O			B	I-5.9.8
0L	3001	4001	4001	#0	1	Whether to use MRDY (machine ready) signal	O	O			B	I-2.6.4
				#3	0	Mounting direction of the magnetic sensor	O	O			B	I-5.12.6
				#4	0	Mounting direction of the spindle sensor	O	O			A	I-1.3.2
1H	3002	4002	4002	#0	0	Spindle sensor type	O	O			A	I-1.3.2
				#1	0	Spindle sensor type	O	O			A	I-1.3.2
				#2	0	Spindle sensor type	O	O			A	I-1.3.2
				#3	0	Spindle sensor type	O	O			A	I-1.3.2
				#4	0	Whether to use the rotation direction signal (SFR/SRV) function on Cs contouring control	O	O			B	I-2.4.8
				#5	0	Whether to use the rotation direction signal (SFR/SRV) function on servo mode	O	O			B	I-2.3.7
				#6	0	Whether to use the rotation direction signal (SFR/SRV) function on spindle synchronous control	O	O			B	I-2.5.8
1L	3003	4003	4003	#0	0	Spindle orientation method	O	O			B	I-2.2.12
				#2	0	Rotation direction during spindle orientation	O	O			B	I-2.2.12
				#3	0	Rotation direction during spindle orientation	O	O			B	I-2.2.12
				#4	0	Teeth number setting of spindle sensor	O	O			A	I-1.3.2
				#5	0	Teeth number setting of spindle sensor	O	O			A	I-1.3.2
				#6	0	Teeth number setting of spindle sensor	O	O			A	I-1.3.2

Internal data No. F-xxx	15i	16i	30i	bit	Standard initial setting data	Contents	Application				Classification	Reference item
							MH	ML	SH	SL		
				#7	0	Teeth number setting of spindle sensor	O	O			A	I-1.3.2
2H	3004	4004	4004	#2	0	Setting of external one-rotation signal	O	O			A	I-1.3.2
				#3	0	Setting of external one-rotation signal	O	O			A	I-1.3.2
2L	3005	4005	4005	#0	0	Command resolution for Cs contouring control	O	O			B	I-2.4.8
3H	3006	4006	4006	#1	0	Increment system of gear ratio	O	O			A	I-1.3.2
				#2	Depends on the model	Increment system of spindle speed	O	O			C	I-2.6.4
				#3	0	Automatic detection of one-rotation signal during spindle synchronous control	O	O			B	I-2.5.8
				#5	0	Setting of analog override range	O	O			B	I-2.1.6
				#7	0	Whether to use the command arbitrary gear ratio (CMR) function on rigid tapping	O	O			B	I-2.3.7
3L	3007	4007	4007	#5	0	Whether to detect a feedback signal disconnection	O	O			A	I-1.3.2
				#6	0	Whether to detect the alarms (spindle alarms 41, 42, 47, 81, 82, 83, 85, 86, and 87) related to the position feedback signal (when non-Cs contouring control mode is set)	O	O			A	I-1.3.2
4H	3008	4008	4008	#0	0	Reserved	O				C	
				#1	0	Reserved		O			C	
				#2	0	Reserved	O	O			C	
				#4	Depends on the model	Setting of output limitation method	O	O			C	I-2.6.4
4L	3009	4009	4009	#0	0	Increment system of velocity loop gain	O	O			B	I-2.6.4
				#2	0	Motor power turn-off method when spindle alarm 24 (serial data transfer error) is issued	O	O			D	I-2.6.4
				#4	0	Whether to output the load detection signals (LDT1, LDT2) during acceleration/deceleration	O	O			B	I-2.1.6
				#6	0	Analog override type	O	O			B	I-2.1.6
5H	3010	4010	4010	#0	Depends on the model	Motor sensor type	O	O			A	I-1.3.2
				#1	Depends on the model	Motor sensor type	O	O			A	I-1.3.2
				#2	Depends on the model	Motor sensor type	O	O			A	I-1.3.2
5L	3011	4011	4011	#0	Depends on the model	Teeth number setting of motor sensor	O	O			A	I-1.3.2
				#1	Depends on the model	Teeth number setting of motor sensor	O	O			A	I-1.3.2
				#2	Depends on the model	Teeth number setting of motor sensor	O	O			A	I-1.3.2
				#3	Depends on the model	Number of motor poles	O	O			C	I-2.6.4
				#4	Depends on the model	Setting of maximum output during acceleration/deceleration	O	O			C	I-2.6.4
				#7	Depends on the model	Number of motor poles	O	O			C	I-2.6.4
6H	3012	4012	4012	#0	Depends on the model	Setting of PWM carrier frequency	O	O			C	I-2.6.4
				#1	Depends on the model	Setting of PWM carrier frequency	O	O			C	I-2.6.4
				#2	Depends on the model	Setting of PWM carrier frequency	O	O			C	I-2.6.4
				#7	1	Setting of spindle HRV function	O	O	O	O	C	I-2.6.4
6L	3013	4013	4013	#2	Depends on the model	Current dead-band data	O	O			C	I-2.6.4
				#3	Depends on the model	Current dead-band data	O	O			C	I-2.6.4
				#4	Depends on the model	Current dead-band data	O	O			C	I-2.6.4

Internal data No. F-xxx	15i	16i	30i	bit	Standard initial setting data	Contents	Application				Classification	Reference item
							MH	ML	SH	SL		
				#5	Depends on the model	Current dead-band data	O	O			C	I-2.6.4
				#6	Depends on the model	Current dead-band data	O	O			C	I-2.6.4
				#7	Depends on the model	Setting of a PWM carrier frequency for low-speed characteristics area		O			C	I-2.6.4
7H	3014	4014	4014	#0	0	Whether to use the spindle switch function	O	O	O	O	B	I-5.2.9
				#2	0	Whether to check both spindle switch main and sub magnetic contactor contacts	O	O	O	O	B	I-5.2.9
				#3	0	Whether to check both magnetic contactor contacts for high-speed /low-speed characteristics in speed range switching	O	O	O	O	B	I-5.1.7
				#6	0	Whether to use the orientation function on spindle synchronous control	O	O			B	I-5.5.6
				#7	0	Setting of dual position feedback	O	O			B	I-5.10.4
7L	3015	4015	4015	#0	0	Whether to use the spindle orientation function	O	O	O	O	B	I-2.2.12
				#1	0	Whether to use the unexpected disturbance torque detection function	O	O	O	O	B	I-5.7.5
				#2	0	Whether to use the speed range switching function	O	O	O	O	B	I-5.1.7
				#3	0	Whether to use the spindle tandem function	O	O	O	O	B	I-5.11.6
8H	3016	4016	4016	#3	0	Setting of the smoothing function in feed-forward control	O	O			B	I-2.4.8 I-5.8.7
				#4	0	Setting related to the motor voltage control characteristics on Cs contouring control or servo mode	O	O			B	I-2.3.7 I-2.4.8
				#5	0	Whether to detect the alarms (spindle alarms 81, 82, 85, 86) related to position feedback (on Cs contouring control mode)	O	O			A	I-1.3.2
				#6	0	Whether to detect the alarm (spindle alarms 46) related to feedback of the position detection signal for threading	O	O			A	I-1.3.2
				#7	0	Function for newly detecting the one-rotation signal before entering position control mode	O	O			A	I-1.3.2
8L	3017	4017	4017	#0	0	This parameter sets speed integration operation when differential spindle speed control is exercised.	O	O			B	I-5.9.8
				#7	0	Setting of shortcut orientation from stop state in position coder method spindle orientation	O	O			B	I-2.2.12
9H	3018	4018	4018	#3	0	Type of position coder method orientation	O	O			B	I-2.2.12
				#4	0	Optimum orientation: Setting of velocity feedforward (CTH1A=0)	O	O			B	I-2.2.12
				#5	0	Optimum orientation: Setting of velocity feedforward (CTH1A=1) High-speed orientation: Velocity command compensation function	O	O			B	I-2.2.12 I-5.14.7
				#6	0	Type of position coder method orientation	O	O			B	I-2.2.12
9L	3019	4019	4019	#2	1	Whether to use torque clamp at zero speed	O	O			B	I-2.6.4
				#4	0	Setting of the function for switching from high-speed characteristics to low-speed characteristics with the speed detection signal SDT = 1 at speed range switching	O	O			B	I-5.1.7
				#7	0	Automatic parameter setting function (16i)	O	O			B	I-1.1.2 I-2.6.4
10	3020	4020	4020		Depends on the model	Maximum motor speed	O	O			C	I-2.6.4
11	3021	4021	4021		100	Maximum speed on Cs contouring control mode	O	O			B	I-2.4.8
12	3022	4022	4022		150	Speed arrival detection level (SAR)	O	O			B	I-2.6.4
13	3023	4023	4023		30	Speed detection level (SDT)	O	O			B	I-2.6.4
14	3024	4024	4024		75	Zero speed detection level (SST)	O	O			B	I-2.6.4
15	3025	4025	4025		50	Limited torque (TLMH, TLML)	O	O			B	I-2.6.4
16	3026	4026	4026		83	Load detection level 1 (LDT1)	O	O			B	I-2.6.4
17	3027	4027	4027		95	Load detection level 2 (LDT2)	O	O	O	O	B	I-2.6.4

Internal data No. F-xxx	15i	16i	30i	bit	Standard initial setting data	Contents	Application				Classification	Reference item
							MH	ML	SH	SL		
18	3028	4028	4028		0	Limited output pattern	O	O			B	I-2.1.6
19	3029	4029	4029		100	Output limit	O	O			B	I-2.1.6
20	3030	4030	4030		0	Soft start/stop time (SOCN)	O	O	O	O	B	I-2.1.6
21	3031	4031	4031		0	Stop position of position coder method orientation	O	O			B	I-2.2.12
22	3032	4032	4032		0	Acceleration on spindle synchronous control	O	O			B	I-2.5.8
23	3033	4033	4033		10	Spindle synchronous speed arrival level	O	O			B	I-2.5.8
24	3034	4034	4034		0	Shift during synchronous control of spindle phase	O	O			B	I-2.5.8
25	3035	4035	4035		10	Compensation data for spindle phase synchronous control	O	O			B	I-2.5.8
26	3036	4036	4036		0	Feed-forward coefficient	O	O			B	I-2.4.8 I-5.8.8
27	3037	4037	4037		0	Feed-forward coefficient of velocity loop	O				B	I-2.4.8 I-5.6.4 I-5.8.8
28	3038	4038	4038		0	Optimum orientation: Orientation speed upper limit Conventional method orientation, High-speed orientation: Spindle orientation speed upper limit	O	O			B	I-2.2.12 I-5.14.7
29	3039	4039	4039		Depends on the model	Slip compensation gain	O				C	I-2.6.4
30	3040	4040	4040		10	Velocity loop proportional gain on velocity control mode (High)	O	O			B	I-2.1.6
31	3041	4041	4041		10	Velocity loop proportional gain on velocity control mode (Low)	O	O			B	I-2.1.6
32	3042	4042	4042		10	Velocity loop proportional gain on orientation (High)	O	O			B	I-2.2.12
33	3043	4043	4043		10	Velocity loop proportional gain on orientation (Low)	O	O			B	I-2.2.12
34	3044	4044	4044		10	Velocity loop proportional gain on servo mode/spindle synchronous control (High)	O	O			B	I-2.3.7 I-2.5.8
35	3045	4045	4045		10	Velocity loop proportional gain on servo mode/spindle synchronous control (Low)	O	O			B	I-2.3.7 I-2.5.8
36	3046	4046	4046		30	Velocity loop proportional gain on Cs contouring control (High)	O	O			B	I-2.4.8
37	3047	4047	4047		30	Velocity loop proportional gain on Cs contouring control (Low)	O	O			B	I-2.4.8
38	3048	4048	4048		10	Velocity loop integral gain on velocity control mode (High)	O	O			B	I-2.1.6
39	3049	4049	4049		10	Velocity loop integral gain on velocity control mode (Low)	O	O			B	I-2.1.6
40	3050	4050	4050		10	Velocity loop integral gain on orientation (High)	O	O			B	I-2.2.12
41	3051	4051	4051		10	Velocity loop integral gain on orientation (Low)	O	O			B	I-2.2.12
42	3052	4052	4052		10	Velocity loop integral gain on servo mode/spindle synchronous control (High)	O	O			B	I-2.3.7 I-2.5.8
43	3053	4053	4053		10	Velocity loop integral gain on servo mode/spindle synchronous control (Low)	O	O			B	I-2.3.7 I-2.5.8
44	3054	4054	4054		50	Velocity loop integral gain on Cs contouring control (High)	O	O			B	I-2.4.8
45	3055	4055	4055		50	Velocity loop integral gain on Cs contouring control (Low)	O	O			B	I-2.4.8
46	3056	4056	4056		100	Gear ratio (High)	O	O			A	I-1.3.2
47	3057	4057	4057		100	Gear ratio (Medium High)	O	O			A	I-1.3.2
48	3058	4058	4058		100	Gear ratio (Medium Low)	O	O			A	I-1.3.2
49	3059	4059	4059		100	Gear ratio (Low)	O	O			A	I-1.3.2
50	3060	4060	4060		1000	Position gain on orientation (High)	O	O			B	I-2.2.12
51	3061	4061	4061		1000	Position gain on orientation (Medium High)	O	O			B	I-2.2.12
52	3062	4062	4062		1000	Position gain on orientation (Medium Low)	O	O			B	I-2.2.12
53	3063	4063	4063		1000	Position gain on orientation (Low)	O	O			B	I-2.2.12

Internal data No. F-xxx	15i	16i	30i	bit	Standard initial setting data	Contents	Application				Classification	Reference item
							MH	ML	SH	SL		
54	3064	4064	4064		100	Normal orientation: Rate of change in the position gain upon completion of spindle orientation High-speed orientation: Percentage limit to an acceleration during deceleration Optimum orientation: Position feedforward coefficient	O	O			B	I-2.2.12 I-5.4.7
55	3065	4065	4065		1000	Position gain on servo mode/spindle synchronous control (High)	O	O			B	I-2.3.7 I-2.5.8
56	3066	4066	4066		1000	Position gain on servo mode/spindle synchronous control (Medium High)	O	O			B	I-2.3.7 I-2.5.8
57	3067	4067	4067		1000	Position gain on servo mode/spindle synchronous control (Medium Low)	O	O			B	I-2.3.7 I-2.5.8
58	3068	4068	4068		1000	Position gain on servo mode/spindle synchronous control (Low)	O	O			B	I-2.3.7 I-2.5.8
59	3069	4069	4069		3000	Position gain on Cs contouring control (High)	O	O			B	I-2.4.8
60	3070	4070	4070		3000	Position gain on Cs contouring control (Medium High)	O	O			B	I-2.4.8
61	3071	4071	4071		3000	Position gain on Cs contouring control (Medium Low)	O	O			B	I-2.4.8
62	3072	4072	4072		3000	Position gain on Cs contouring control (Low)	O	O			B	I-2.4.8
63	3073	4073	4073		0	Grid shift on servo mode	O	O			B	I-2.3.7
64	3074	4074	4074		0	Reference position return speed on Cs contouring control/servo mode	O	O	O	O	B	I-2.3.7 I-2.4.8
65	3075	4075	4075		10	Detection level for orientation completion signal (ORAR)	O	O			B	I-2.2.12
66	3076	4076	4076		33	Ordinary orientation: Motor speed limit value on orientation High-speed orientation: Reserved Optimum orientation: Bell-shaped acceleration / deceleration time constant	O	O			B	I-2.2.12
67	3077	4077	4077		0	Orientation stop position shift	O	O			B	I-2.2.12
68	3078	4078	4078		200	MS signal constant	O	O			B	I-5.12.6
69	3079	4079	4079		0	MS signal gain adjustment	O	O			B	I-5.12.6
70	3080	4080	4080	Depends on the model		Regenerative power limit for high-speed zone/regenerative power limit	O				C	I-2.6.4
71	3081	4081	4081		20	Delay time until motor power is cut off	O	O			B	I-2.1.6
72	3082	4082	4082		10	Setting of acceleration/deceleration time	O	O			B	I-2.1.6
73	3083	4083	4083	Depends on the model		Motor voltage on velocity control mode	O				C	I-2.1.6
74	3084	4084	4084	Depends on the model		Motor voltage on orientation	O	O			C	I-2.2.12 I-5.4.7
75	3085	4085	4085	Depends on the model		Motor voltage on servo mode/spindle synchronous control mode	O				C	I-2.3.7 I-2.5.8
76	3086	4086	4086		100	Motor voltage on Cs contouring control	O	O			C	I-2.4.8
77	3087	4087	4087		115	Overspeed level	O	O	O	O	D	I-2.6.4
78	3088	4088	4088		75	Level for detecting excess velocity error when motor is restrained	O	O	O	O	D	I-2.6.4
79	3089	4089	4089		200	Level for detecting excess velocity error when motor rotates	O	O	O	O	D	I-2.6.4
80	3090	4090	4090		90	Overload detection level	O	O	O	O	D	I-2.6.4
81	3091	4091	4091		100	Rate of change in position gain during reference position return on servo mode	O	O			B	I-2.3.7
82	3092	4092	4092		100	Rate of change in position gain during reference position return on Cs contouring control	O	O			B	I-2.4.8
83	3093	4093	4093	Depends on the model		Value displayed on load meter at maximum output		O			C	App. B
84	3094	4094	4094		0	Disturbance torque compensation constant (acceleration feedback gain)	O	O			B	I-2.4.8
85	3095	4095	4095		0	Adjusted output voltage of speedometer	O	O	O	O	B	I-2.6.4
86	3096	4096	4096		0	Adjusted output voltage of load meter	O	O	O	O	B	I-2.6.4

Internal data No. F-xxx	15i	16i	30i	bit	Standard initial setting data	Contents	Application				Classification	Reference item
							MH	ML	SH	SL		
87	3097	4097	4097		0	Feedback gain of spindle speed	O	O			B	I-2.4.8
88	3098	4098	4098		0	Maximum speed for position feedback signal detection	O	O	O	O	A	I-1.3.2
89	3099	4099	4099		0	Delay time for motor excitation	O	O	O	O	B	I-2.3.7 I-2.4.8
90	3100	4100	4100		Depends on the model	Base speed of motor output specifications	O				C	I-2.6.4
91	3101	4101	4101		Depends on the model	Output limit for motor output specifications	O				C	I-2.6.4
92	3102	4102	4102		Depends on the model	Excitation voltage saturation speed at no-load	O				C	I-2.6.4
93	3103	4103	4103		Depends on the model	Base speed limit ratio	O				C	I-2.6.4
94	3104	4104	4104		Depends on the model	Current loop proportional gain	O				C	I-2.6.4
95	3105	4105	4105		0	Reserved	O				C	
96	3106	4106	4106		Depends on the model	Current loop integral gain	O				C	I-2.6.4
97	3107	4107	4107		0	Reserved	O				C	
98	3108	4108	4108		Depends on the model	Velocity at which the current loop integral gain is zero	O				C	I-2.6.4
99	3109	4109	4109		Depends on the model	Filter time constant for processing saturation related to the voltage command	O				C	I-2.6.4
100	3110	4110	4110		Depends on the model	Current conversion constant	O				C	I-2.6.4
101	3111	4111	4111		Depends on the model	Secondary current coefficient	O				C	I-2.6.4
102	3112	4112	4112		Depends on the model	Criterion level for saturation related to the voltage command/PWM command clamp value	O				C	I-2.6.4
103	3113	4113	4113		Depends on the model	Slip constant	O				C	I-2.6.4
104	3114	4114	4114		Depends on the model	Slip compensation coefficient for a high-speed zone/slip compensation coefficient at deceleration	O				C	I-2.6.4
105	3115	4115	4115		Depends on the model	PWM command clamp value at deceleration	O				C	I-2.6.4
106	3116	4116	4116		Depends on the model	Motor leakage constant	O				C	I-2.6.4
107	3117	4117	4117		Depends on the model	Regular-time voltage compensation coefficient for high-speed zone/regular-time motor voltage coefficient	O				C	I-2.6.4
108	3118	4118	4118		Depends on the model	Acceleration-time voltage compensation coefficient for high-speed zone/acceleration-time motor voltage coefficient	O				C	I-2.6.4
109	3119	4119	4119		Depends on the model	Deceleration-time excitation current change time constant/excitation current change time constant	O				C	I-2.6.4
110	3120	4120	4120		Depends on the model	Dead-band rectangular wave component zero voltage/dead-band data	O	O	O	O	C	I-2.6.4
111	3121	4121	4121		5	Time constant for changing the torque (TCMD filter time constant)	O				B	I-4.2.1
112	3122	4122	4122		0	Time constant for velocity detecting filter	O	O			B	I-2.6.4
113	3123	4123	4123		30	Short-time overload detection time	O	O	O	O	D	I-2.6.4
114	3124	4124	4124		0	Reserved	O				C	
117	3127	4127	4127		Depends on the model	Value displayed on load meter at maximum output	O				C	I-2.6.4
118	3128	4128	4128		Depends on the model	Compensation coefficient between the specification and true base/maximum torque curve compensation coefficient	O				C	I-2.6.4
119	3129	4129	4129		Depends on the model	Secondary current coefficient for rigid tapping	O				C	I-2.6.4
120	3130	4130	4130		Depends on the model	Current loop proportional gain speed coefficient/current phase delay compensation coefficient	O				C	I-2.6.4

Internal data No. F-xxx	15i	16i	30i	bit	Standard initial setting data	Contents	Application				Classification	Reference item
							MH	ML	SH	SL		
121	3131	4131	4131		0	Time constant for velocity detecting filter (on Cs contouring control)	O	O			B	I-2.4.8
123	3133	4133	4133		Depends on the model	Motor model code	O	O			C	I-1.1.2 I-2.6.4
124 125	3134	4134	4134		Depends on the model	Motor overheat detect level (2-word)	O	O			C	I-2.6.4
126 127	3135	4135	4135		0	Grid shift during Cs contouring control mode I (2-word)	O	O			B	I-2.4.8
128	3136	4136	4136		Depends on the model	Motor voltage on velocity control mode		O			C	App. B
129	3137	4137	4137		Depends on the model	Motor voltage on servo mode/spindle synchronous control mode		O			C	App. B
130	3138	4138	4138		Depends on the model	Base speed of motor output specifications		O			C	App. B
131	3139	4139	4139		Depends on the model	Output limit for motor output specifications		O			C	App. B
132	3140	4140	4140		Depends on the model	Excitation voltage saturation speed at no-load		O			C	App. B
133	3141	4141	4141		Depends on the model	Base speed limit ratio		O			C	App. B
134	3142	4142	4142		Depends on the model	Current loop proportional gain		O			C	App. B
135	3143	4143	4143		Depends on the model	Current loop integral gain		O			C	App. B
136	3144	4144	4144		Depends on the model	Velocity at which the current loop integral gain is zero		O			C	App. B
137	3145	4145	4145		Depends on the model	Filter time constant for processing saturation related to the voltage command		O			C	App. B
138	3146	4146	4146		Depends on the model	Current conversion constant		O			C	App. B
139	3147	4147	4147		Depends on the model	Secondary current coefficient		O			C	App. B
140	3148	4148	4148		Depends on the model	Criterion level for saturation related to the voltage command/PWM command clamp value		O			C	App. B
141	3149	4149	4149		Depends on the model	Slip constant		O			C	App. B
142	3150	4150	4150		Depends on the model	Slip compensation coefficient for a high-speed zone/slip compensation coefficient at deceleration		O			C	App. B
143	3151	4151	4151		Depends on the model	PWM command clamp value at deceleration		O			C	App. B
144	3152	4152	4152		Depends on the model	Motor leakage constant		O			C	App. B
145	3153	4153	4153		Depends on the model	Regular-time voltage compensation coefficient for high-speed zone/regular-time motor voltage coefficient		O			C	App. B
146	3154	4154	4154		Depends on the model	Acceleration-time voltage compensation coefficient for high-speed zone/acceleration-time motor voltage coefficient		O			C	App. B
147	3155	4155	4155		0	Reserved		O			C	App. B
148	3156	4156	4156		Depends on the model	Slip compensation gain		O			C	App. B
149	3157	4157	4157		5	Time constant for changing the torque (TCMD filter time constant)		O			B	App. B
150	3158	4158	4158		Depends on the model	Compensation coefficient between the specification and true base/maximum torque curve compensation coefficient		O			C	App. B
151	3159	4159	4159		Depends on the model	Secondary current coefficient for rigid tapping		O			C	App. B
152	3160	4160	4160		0	Hysteresis of speed detection level	O	O	O	O	B	I-5.1.7
153	3161	4161	4161		Depends on the model	Current loop proportional gain speed coefficient/current phase delay compensation coefficient		O			C	App. B

Internal data No. F-xxx	15i	16i	30i	bit	Standard initial setting data	Contents	Application				Classification	Reference item
							MH	ML	SH	SL		
154	3162	4162	4162		0	Integral gain of velocity loop during cutting feed on Cs contouring control mode (High)	O	O			B	I-2.4.8
155	3163	4163	4163		0	Integral gain of velocity loop during cutting feed on Cs contouring control mode (Low)	O	O			B	I-2.4.8
157	3165	4165	4165		Depends on the model	Deceleration-time excitation current change time constant/excitation current change time constant		O			C	App. B
158	3166	4166	4166		Depends on the model	Regenerative power limit for high-speed zone/regenerative power limit		O			C	App. B
160	3168	4168	4168		0	Current overload alarm detection level		O			D	App. B
161	3169	4169	4169		Depends on the model	Temperature monitoring time constant	O	O			C	I-2.6.4
162	3170	4170	4170		0	Current overload alarm detection level	O				D	I-2.6.4
163	3171	4171	4171		0	Denominator of arbitrary gear ratio between motor sensor and spindle (High)	O	O			A	I-1.3.2
164	3172	4172	4172		0	Numerator of arbitrary gear ratio between motor sensor and spindle (High)	O	O			A	I-1.3.2
165	3173	4173	4173		0	Denominator of arbitrary gear ratio between motor sensor and spindle (Low)	O	O			A	I-1.3.2
166	3174	4174	4174		0	Numerator of arbitrary gear ratio between motor sensor and spindle (Low)	O	O			A	I-1.3.2
168H	3176	4176	4176	#0	0	Rotation direction relationship between the spindle and motor			O	O	A	App. B
				#4	0	Return direction for the reference position on servo mode			O	O	B	App. B
168L	3177	4177	4177	#0	1	Whether to use MRDY (machine ready) signal			O	O	B	App. B
				#3	0	Mounting direction of the magnetic sensor	O	O			B	App. B
				#4	0	Mounting direction of the spindle sensor			O	O	A	App. B
169H	3178	4178	4178	#0	0	Spindle sensor type			O	O	A	App. B
				#1	0	Spindle sensor type			O	O	A	App. B
				#2	0	Spindle sensor type			O	O	A	App. B
				#3	0	Spindle sensor type			O	O	A	App. B
				#5	0	Whether to use the rotation direction signal (SFR/SRV) function on servo mode			O	O	B	App. B
169L	3179	4179	4179	#0	0	Spindle orientation method			O	O	B	App. B
				#2	0	Rotation direction during spindle orientation			O	O	B	App. B
				#3	0	Rotation direction during spindle orientation			O	O	B	App. B
				#4	0	Teeth number setting of spindle sensor			O	O	A	App. B
				#5	0	Teeth number setting of spindle sensor			O	O	A	App. B
				#6	0	Teeth number setting of spindle sensor			O	O	A	App. B
				#7	0	Teeth number setting of spindle sensor			O	O	A	App. B
170H	3180	4180	4180	#2	0	Setting of external one-rotation signal			O	O	A	App. B
				#3	0	Setting of external one-rotation signal			O	O	A	App. B
171H	3182	4182	4182	#1	0	Increment system of gear ratio			O	O	A	App. B
				#2	Depends on the model	Increment system of spindle speed			O	O	C	App. B
				#5	0	Setting of analog override range			O	O	B	App. B
				#7	0	Whether to use the command arbitrary gear ratio (CMR) function on rigid tapping			O	O	B	App. B
171L	3183	4183	4183	#5	0	Whether to detect a feedback signal disconnection			O	O	A	App. B
				#6	0	Whether to detect the alarms (spindle alarms 41, 42, 47, 81, 82, 83, 85, 86, and 87) related to the position feedback signal (when Cs contouring control mode is not set)			O	O	A	App. B
172H	3184	4184	4184	#0	0	Reserved			O		C	
				#1	0	Reserved				O	C	
				#2	0	Reserved			O	O	C	
				#4	Depends on the model	Setting of output limitation method			O	O	C	App. B
172L	3185	4185	4185	#0	0	Increment system of velocity loop gain			O	O	B	App. B

Internal data No. F-xxx	15i	16i	30i	bit	Standard initial setting data	Contents	Application				Classification	Reference item
							MH	ML	SH	SL		
				#2	0	Motor power turn-off method when spindle alarm 24 (serial data transfer error) is issued			O	O	D	App. B
				#4	0	Whether to output the load detection signals (LDT1, LDT2) during acceleration/deceleration			O	O	B	App. B
				#6	0	Analog override type			O	O	B	App. B
173H	3186	4186	4186	#0	Depends on the model	Motor sensor type			O	O	A	App. B
				#1	Depends on the model	Motor sensor type			O	O	A	App. B
				#2	Depends on the model	Motor sensor type			O	O	A	App. B
173L	3187	4187	4187	#0	Depends on the model	Teeth number setting of motor sensor			O	O	A	App. B
				#1	Depends on the model	Teeth number setting of motor sensor			O	O	A	App. B
				#2	Depends on the model	Teeth number setting of motor sensor			O	O	A	App. B
				#3	Depends on the model	Number of motor poles			O	O	C	App. B
				#4	Depends on the model	Setting of maximum output during acceleration/deceleration			O	O	C	App. B
				#7	Depends on the model	Number of motor poles			O	O	C	App. B
174H	3188	4188	4188	#0	Depends on the model	Setting of PWM carrier frequency			O	O	C	App. B
				#1	Depends on the model	Setting of PWM carrier frequency			O	O	C	App. B
				#2	Depends on the model	Setting of PWM carrier frequency			O	O	C	App. B
174L	3189	4189	4189	#2	Depends on the model	Current dead-band data			O	O	C	App. B
				#3	Depends on the model	Current dead-band data			O	O	C	App. B
				#4	Depends on the model	Current dead-band data			O	O	C	App. B
				#5	Depends on the model	Current dead-band data			O	O	C	App. B
				#6	Depends on the model	Current dead-band data			O	O	C	App. B
				#7	Depends on the model	Setting of a PWM carrier frequency for low-speed characteristics area			O		C	App. B
176L	3191	4191	4191	#0	0	Whether to use the spindle orientation function					B	
				#1	0	Whether to use the spindle load detection function					B	
				#2	0	Whether to use the output switching function					B	
				#3	0	Whether to use the spindle tandem function					B	
176H	3192	4192	4192	#3	0	Setting of the smoothing function in feed-forward control			O	O	B	App. B
				#4	0	Setting related to control characteristics on servo mode			O	O	B	App. B
				#6	0	Whether to detect the alarm (spindle alarms 46) related to feedback of the position detection signal for threading			O	O	A	App. B
				#7	0	Function for newly detecting the one-rotation signal before entering position control mode			O	O	A	App. B
176L	3193	4193	4193	#7	0	Setting of shortcut orientation from stop state in position coder method spindle orientation			O	O	B	App. B
177H	3194	4194	4194	#3	0	Type of position coder method orientation			O	O	B	App. B
				#4	0	Optimum orientation: Setting of velocity feedforward (CTH1A=0)			O	O	B	App. B

Internal data No. F-xxx	15i	16i	30i	bit	Standard initial setting data	Contents	Application				Classification	Reference item
							MH	ML	SH	SL		
				#5	0	Optimum orientation: Setting of velocity feedforward (CTH1A=1) High-speed orientation: Velocity command compensation function			O	O	B	App. B
				#6	0	Type of position coder method orientation			O	O	B	App. B
177L	3195	4195	4195	#2	1	Whether to use torque clamp at zero speed			O	O	B	App. B
				#4	0	Setting of the function for switching from high-speed characteristics to low-speed characteristics with the speed detection signal SDT = 1 at speed range switching			O	O	B	App. B
				#7	0	Automatic parameter setting function (16//30)			O	O	B	App. B
178	3196	4196	4196		Depends on the model	Maximum motor speed			O	O	C	App. B
179	3197	4197	4197		150	Speed arrival detection level (SAR)			O	O	B	App. B
180	3198	4198	4198		30	Speed detection level (SDT)			O	O	B	App. B
181	3199	4199	4199		75	Zero speed detection level (SST)			O	O	B	App. B
182	3200	4200	4200		50	Limited torque (TLMH, TLML)			O	O	B	App. B
183	3201	4201	4201		83	Load detection level 1 (LDT1)			O	O	B	App. B
184	3202	4202	4202		0	Limited output pattern			O	O	B	App. B
185	3203	4203	4203		100	Output limit			O	O	B	App. B
186	3204	4204	4204		0	Stop position of position coder method orientation			O	O	B	App. B
187	3205	4205	4205		0	Optimum orientation: Orientation speed upper limit Conventional method orientation, High-speed orientation: Spindle orientation speed			O	O	B	App. B
188	3206	4206	4206		10	Velocity loop proportional gain on velocity control mode (High)			O	O	B	App. B
189	3207	4207	4207		10	Velocity loop proportional gain on velocity control mode (Low)			O	O	B	App. B
190	3208	4208	4208		10	Velocity loop proportional gain on orientation (High)			O	O	B	App. B
191	3209	4209	4209		10	Velocity loop proportional gain on orientation (Low)			O	O	B	App. B
192	3210	4210	4210		10	Velocity loop proportional gain on servo mode (High)			O	O	B	App. B
193	3211	4211	4211		10	Velocity loop proportional gain on servo mode (Low)			O	O	B	App. B
194	3212	4212	4212		10	Velocity loop integral gain on velocity control mode (common to High and Low)			O	O	B	App. B
195	3213	4213	4213		10	Velocity loop integral gain on orientation (common to High and Low)			O	O	B	App. B
196	3214	4214	4214		10	Velocity loop integral gain on servo mode (common to High and Low)			O	O	B	App. B
197	3215	4215	4215		0	Primary delay time constant in dual position feedback [in Cs contour control]	O	O			B	I-1.5.10
198	3216	4216	4216		100	Gear ratio (High)			O	O	A	App. B
199	3217	4217	4217		100	Gear ratio (Low)			O	O	A	App. B
200	3218	4218	4218		1000	Position gain on orientation (High)			O	O	B	App. B
201	3219	4219	4219		1000	Position gain on orientation (Low)			O	O	B	App. B
202	3220	4220	4220		100	Ordinary orientation: Rate of change in position gain upon completion of orientation High-speed orientation: Rate of change in position gain upon completion of orientation Optimum orientation: Position feedforward coefficient			O	O	B	App. B
203	3221	4221	4221		1000	Position gain on servo mode (High)			O	O	B	App. B
204	3222	4222	4222		1000	Position gain on servo mode (Low)			O	O	B	App. B
205	3223	4223	4223		0	Grid shift on servo mode			O	O	B	App. B
206	3224	4224	4224		0	Maximum amplitude in dual position feedback [in Cs contour control]	O	O			B	I-1.5.10
207	3225	4225	4225		0	Dual position feedback zero width [in Cs contour control]	O	O			B	I-1.5.10
208	3226	4226	4226		10	Detection level for orientation completion signal (ORAR)			O	O	B	App. B

Internal data No. F-xxx	15i	16i	30i	bit	Standard initial setting data	Contents	Application				Classification	Reference item
							MH	ML	SH	SL		
209	3227	4227	4227		33	Ordinary orientation: Motor speed limit value on orientation High-speed orientation: Reserved			O	O	B	App. B
210	3228	4228	4228		0	Orientation stop position shift			O	O	B	App. B
211	3229	4229	4229		200	MS signal constant			O	O	B	App. B
212	3230	4230	4230		0	MS signal gain adjustment			O	O	B	App. B
213	3231	4231	4231		Depends on the model	Regenerative power limit for high-speed zone/regenerative power limit			O		C	App. B
214	3232	4232	4232		20	Delay time until motor power is cut off			O	O	B	App. B
215	3233	4233	4233		10	Setting of acceleration/deceleration time			O	O	B	App. B
216	3234	4234	4234		0	Spindle load monitor observer gain 1			O	O	B	App. B
217	3235	4235	4235		0	Spindle load monitor observer gain 2			O	O	B	App. B
218	3236	4236	4236		Depends on the model	Motor voltage on velocity control mode			O		C	App. B
219	3237	4237	4237		Depends on the model	Motor voltage on orientation			O	O	C	App. B
220	3238	4238	4238		Depends on the model	Motor voltage on servo mode			O		C	App. B
221	3239	4239	4239		100	Rate of change in position gain during reference position return on servo mode			O	O	B	App. B
222	3240	4240	4240		0	Feed-forward coefficient			O	O	B	App. B
223	3241	4241	4241		0	Feed-forward coefficient of velocity loop			O		B	App. B
225	3243	4243	4243		0	Denominator of arbitrary gear ratio between motor sensor and spindle (High)			O	O	A	App. B
226	3244	4244	4244		0	Numerator of arbitrary gear ratio between motor sensor and spindle (High)			O	O	A	App. B
227	3245	4245	4245		0	Denominator of arbitrary gear ratio between motor sensor and spindle (Low)			O	O	A	App. B
228	3246	4246	4246		0	Numerator of arbitrary gear ratio between motor sensor and spindle (Low)			O	O	A	App. B
230	3248	4248	4248		0	Spindle load monitor torque constant	O				B	I-5.7.5
231	3249	4249	4249		0	Spindle load monitor observer gain 1	O	O			B	I-5.7.5
232	3250	4250	4250		0	Spindle load monitor observer gain 2	O	O			B	I-5.7.5
236	3254	4254	4254		Depends on the model	Slip compensation gain			O		C	App. B
237	3255	4255	4255		Depends on the model	Slip compensation gain				O	C	App. B
238	3256	4256	4256		Depends on the model	Base speed of motor output specifications			O		C	App. B
239	3257	4257	4257		Depends on the model	Output limit for motor output specifications			O		C	App. B
240	3258	4258	4258		Depends on the model	Excitation voltage saturation speed at no-load			O		C	App. B
241	3259	4259	4259		Depends on the model	Base speed limit ratio			O		C	App. B
242	3260	4260	4260		Depends on the model	Current loop proportional gain			O		C	App. B
243	3261	4261	4261		Depends on the model	Current loop integral gain			O		C	App. B
244	3262	4262	4262		Depends on the model	Velocity at which the current loop integral gain is zero			O		C	App. B
245	3263	4263	4263		Depends on the model	Filter time constant for processing saturation related to the voltage command			O		C	App. B
246	3264	4264	4264		Depends on the model	Current conversion constant			O		C	App. B
247	3265	4265	4265		Depends on the model	Secondary current coefficient			O		C	App. B
248	3266	4266	4266		Depends on the model	Criterion level for saturation related to the voltage command/PWM command clamp value			O		C	App. B
249	3267	4267	4267		Depends on the model	Slip constant			O		C	App. B

Internal data No. F-xxx	15i	16i	30i	bit	Standard initial setting data	Contents	Application				Classification	Reference item
							MH	ML	SH	SL		
250	3268	4268	4268		Depends on the model	Slip compensation coefficient for a high-speed zone/slip compensation coefficient at deceleration			O		C	App. B
251	3269	4269	4269		Depends on the model	PWM command clamp value at deceleration			O		C	App. B
252	3270	4270	4270		Depends on the model	Motor leakage constant			O		C	App. B
253	3271	4271	4271		Depends on the model	Regular-time voltage compensation coefficient for high-speed zone/regular-time motor voltage coefficient			O		C	App. B
254	3272	4272	4272		Depends on the model	Acceleration-time voltage compensation coefficient for high-speed zone/acceleration-time motor voltage coefficient			O		C	App. B
255	3273	4273	4273		5	Time constant for changing the torque (TCMD filter time constant)			O		B	App. B
256	3274	4274	4274		Depends on the model	Value displayed on load meter at maximum output			O		C	App. B
257	3275	4275	4275		Depends on the model	Compensation coefficient between the specification and true base/maximum torque curve compensation coefficient			O		C	App. B
258	3276	4276	4276		Depends on the model	Secondary current coefficient for rigid tapping			O		C	App. B
259	3277	4277	4277		Depends on the model	Current loop proportional gain speed coefficient/current phase delay compensation coefficient			O		C	App. B
260	3278	4278	4278		0	Time constant for velocity detecting filter			O	O	B	App. B
261	3279	4279	4279		Depends on the model	Value displayed on load meter at maximum output				O	C	App. B
262	3280	4280	4280		Depends on the model	Deceleration-time excitation current change time constant/excitation current change time constant			O		C	App. B
263	3281	4281	4281		0	Spindle load monitor torque constant		O			B	App. B
264	3282	4282	4282		0	Spindle load monitor torque constant			O		B	App. B
265	3283	4283	4283		0	Spindle load monitor torque constant				O	B	App. B
266	3284	4284	4284		Depends on the model	Motor voltage on velocity control mode				O	C	App. B
267	3285	4285	4285		Depends on the model	Motor voltage on servo mode				O	C	App. B
268	3286	4286	4286		Depends on the model	Base speed of motor output specifications				O	C	App. B
269	3287	4287	4287		Depends on the model	Output limit for motor output specifications				O	C	App. B
270	3288	4288	4288		Depends on the model	Excitation voltage saturation speed at no-load				O	C	App. B
271	3289	4289	4289		Depends on the model	Base speed limit ratio				O	C	App. B
272	3290	4290	4290		Depends on the model	Current loop proportional gain				O	C	App. B
273	3291	4291	4291		Depends on the model	Current loop integral gain				O	C	App. B
274	3292	4292	4292		Depends on the model	Velocity at which the current loop integral gain is zero				O	C	App. B
275	3293	4293	4293		Depends on the model	Filter time constant for processing saturation related to the voltage command				O	C	App. B
276	3294	4294	4294		Depends on the model	Current conversion constant				O	C	App. B
277	3295	4295	4295		Depends on the model	Secondary current coefficient				O	C	App. B
278	3296	4296	4296		Depends on the model	Criterion level for saturation related to the voltage command/PWM command clamp value				O	C	App. B
279	3297	4297	4297		Depends on the model	Slip constant				O	C	App. B
280	3298	4298	4298		Depends on the model	Slip compensation coefficient for a high-speed zone/slip compensation coefficient at deceleration				O	C	App. B

Internal data No. F-xxx	15i	16i	30i	bit	Standard initial setting data	Contents	Application				Classification	Reference item
							MH	ML	SH	SL		
281	3299	4299	4299		Depends on the model	PWM command clamp value at deceleration				O	C	App. B
282	3300	4300	4300		Depends on the model	Motor leakage constant				O	C	App. B
283	3301	4301	4301		Depends on the model	Regular-time voltage compensation coefficient for high-speed zone/regular-time motor voltage coefficient				O	C	App. B
284	3302	4302	4302		Depends on the model	Acceleration-time voltage compensation coefficient for high-speed zone/acceleration-time motor voltage coefficient				O	C	App. B
285	3303	4303	4303		5	Time constant for changing the torque (TCMD filter time constant)				O	B	App. B
286	3304	4304	4304		Depends on the model	Compensation coefficient between the specification and true base/maximum torque curve compensation coefficient				O	C	App. B
287	3305	4305	4305		Depends on the model	Secondary current coefficient for rigid tapping				O	C	App. B
288	3306	4306	4306		Depends on the model	Current loop proportional gain speed coefficient/current phase delay compensation coefficient				O	C	App. B
289	3307	4307	4307		Depends on the model	Regenerative power limit for high-speed zone/regenerative power limit				O	C	App. B
290	3308	4308	4308		Depends on the model	Deceleration-time excitation current change time constant/excitation current change time constant				O	C	App. B
291	3309	4309	4309		Depends on the model	Motor model code			O	O	C	App. B
292 293	3310	4310	4310		Depends on the model	Motor overheat detect level (2-word)			O	O	C	App. B
304	3320	4320	4320		0	Optimum orientation: Spindle acceleration command (High)	O	O			B	I-2.2.12
						High-speed orientation: Motor acceleration at deceleration time (High)	O	O				I-5.14.7
305	3321	4321	4321		0	Optimum orientation: Spindle acceleration command (Low)	O	O			B	I-2.2.12
						High-speed orientation: Motor acceleration at deceleration time (Medium High)	O	O				I-5.14.7
306	3322	4322	4322		0	Optimum orientation: Spindle acceleration command (High)			O	O	B	App. B
						High-speed orientation: Motor acceleration at deceleration time (Medium Low)	O	O				I-5.14.7
307	3323	4323	4323		0	Optimum orientation: Spindle acceleration command (Low)			O	O	B	App. B
						High-speed orientation: Motor acceleration at deceleration time (Low)	O	O				I-5.14.7
308	3324	4324	4324		0	Optimum orientation: One-rotation signal detection speed	O	O			B	I-2.2.12
						High-speed orientation: Motor acceleration at deceleration time (High)			O	O		App. B
309	3325	4325	4325		0	Optimum orientation: One-rotation signal detection speed			O	O	B	App. B
						High-speed orientation: Motor acceleration at deceleration time (Low)			O	O		App. B
310	3326	4326	4326		0	Optimum orientation: Time constant for overshoot compensation/Limit ratio for acceleration command (High)	O	O			B	I-2.2.12
						High-speed orientation: Acceleration limitation start speed at deceleration time (High)	O	O				I-5.14.7
311	3327	4327	4327		0	Optimum orientation: Time constant for overshoot compensation/Limit ratio for acceleration command (Low)	O	O			B	I-2.2.12
						High-speed orientation: Acceleration limitation start speed at deceleration time (High)			O	O		App. B

Internal data No. F-xxx	15i	16i	30i	bit	Standard initial setting data	Contents	Application				Classification	Reference item
							MH	ML	SH	SL		
312	3328	4328	4328		0	Command multiplication for spindle orientation by position coder	O	O			B	I-5.3.6
313	3329	4329	4329		0	Command multiplication for spindle orientation by position coder			O	O	B	App. B
314	3330	4330	4330		0	Optimum orientation: Time constant for overshoot compensation/Limit ratio for acceleration command (High)			O	O	B	App. B
						High-speed orientation: Acceleration limitation start speed at deceleration time (Low)	O	O				I-5.14.7
315	3331	4331	4331		0	Optimum orientation: Time constant for overshoot compensation/Limit ratio for acceleration command (Low)			O	O	B	App. B
						High-speed orientation: Acceleration limitation start speed at deceleration time (Low)			O	O		App. B
316	3332	4332	4332		0	Reserved			O		C	
317	3333	4333	4333		0	Reserved				O	C	
318	3334	4334	4334		0	Number of motor sensor arbitrary teeth	O	O			A	I-1.3.2
319	3335	4335	4335		0	Number of motor sensor arbitrary teeth			O	O	A	App. B
320	3336	4336	4336		0	Switching point used for an acceleration/deceleration time constant used for spindle synchronous control	O	O	O	O	B	I-2.5.8
324	3340	4340	4340		0	Bell-shaped acceleration/deceleration time constant during spindle synchronous control	O	O	O	O	B	I-2.5.8
326	3342	4342	4342		0	Velocity loop gains override function on Cs contouring control mode (HIGH)	O	O			B	I-2.4.8
327	3343	4343	4343		0	Velocity loop gains override function on Cs contouring control mode (LOW)	O	O			B	I-2.4.8
325	3341	4341	4341		0	Unexpected disturbance torque detection level	O	O	O	O	B	I-5.7.5
328	3344	4344	4344		0	Advanced preview feed-forward coefficient	O	O	O	O	B	I-5.6.4
329	3344	4345	4345		0	Spindle motor speed specification detection level	O	O	O	O	B	I-2.6.4
330	3346	4346	4346		0	Incomplete integration factor	O	O	O	O	B	I-2.5.8 I-2.6.4
331	3347	4347	4347		0	Master-slave speed difference state signal output setting	O	O			B	I-5.10.6
332	3348	4348	4348		0	Current overload alarm detection level				O	D	App. B
333	3349	4349	4349		Depends on the model	Temperature monitoring time constant			O	O	C	App. B
334	3350	4350	4350		0	Current overload alarm detection level			O		D	App. B
335	3351	4351	4351		0	Current detection offset compensation	O	O	O	O	B	I-2.6.4
336H	3352	4352	4352	#1	0	Setting of the peak hold function for load meter output	O	O			B	I-2.1.6
				#4	0	Setting of whether to enable/disable feed forward at all times	O	O				B
				#6	0	Inter-spindle amplifier communication slave axis setting	O	O			B	I-5.8.8 I-5.11.4
				#7	0	Inter-spindle amplifier communication master axis setting	O	O			B	I-5.8.8 I-5.11.4
336L	3353	4353	4353	#1	0	Velocity feedback signal setting in torque tandem operation	O	O			B	I-5.11.6
				#2	0	Relationship of master/slave motor rotation directions in torque tandem operation	O	O				B
				#5	0	Setting of the Cs axis position data transfer function	O	O			B	I-2.4.8
337	3354	4354	4354		0	Excessive semi-closed loop/closed loop position error alarm detection level [in Cs contour control]	O	O			A	I-1.5.10
338	3355	4355	4355		0	Motor sensor signal amplitude ratio compensation	O	O			A	I-1.3.2 I-4.3
339	3356	4356	4356		0	Motor sensor signal phase difference compensation	O	O			A	I-1.3.2 I-4.3
340	3357	4357	4357		0	Spindle sensor signal amplitude ratio compensation	O	O			A	I-1.3.2 I-4.3

Internal data No. F-xxx	15i	16i	30i	bit	Standard initial setting data	Contents	Application				Classification	Reference item
							MH	ML	SH	SL		
341	3358	4358	4358		0	Spindle sensor signal phase difference compensation	O	O			A	I-1.3.2 I-4.3
343	3360	4360	4360		0	Preload value	O	O			B	I-5.10.6
344	3361	4361	4361		0	Number of spindle sensor arbitrary teeth	O	O			A	I-1.3.2
345	3362	4362	4362		0	Load meter compensation 1	O				C	I-2.6.4
346	3363	4363	4363		0	Load meter compensation 2	O				C	I-2.6.4
347	3364	4364	4364		0	Load meter compensation 3	O				C	I-2.6.4
348	3365	4365	4365		0	Load meter compensation 1		O			C	App. B
349	3366	4366	4366		0	Load meter compensation 2		O			C	App. B
350	3367	4367	4367		0	Load meter compensation 3		O			C	App. B
352	3369	4369	4369		0	Spindle synchronous orientation deceleration coefficient	O	O			B	I-5.5.6
353	3370	4370	4370		0	Filter time constant for spindle acceleration detection	O	O			B	I-2.2.12
354	3371	4371	4371		-1	Reserved						
355	3372	4372	4372		0	Spindle speed limit for safety 1	O	O			D	
356H	3373	4373	4373	#1	0	Setting of the peak hold function for load meter output			O	O	B	App. B
358	3376	4376	4376		0	Load meter compensation 1			O		C	App. B
359	3377	4377	4377		0	Load meter compensation 2			O		C	App. B
360	3378	4378	4378		0	Load meter compensation 3			O		C	App. B
361	3379	4379	4379		0	Load meter compensation 1				O	C	App. B
362	3380	4380	4380		0	Load meter compensation 2				O	C	App. B
363	3381	4381	4381		0	Load meter compensation 3				O	C	App. B
365	3383	4383	4383		0	Filter time constant for spindle acceleration detection			O	O	B	App. B
366	3384	4384	4384		0	Spindle EGB : Maximum acceleration/deceleration value in automatic phase matching (16i)	O	O			B	I-5.8.8
367	3385	4385	4385		0	Spindle EGB : time constant for free-running phase matching (16i)	O	O			B	I-5.8.8
368	3386	4386	4386		0	Spindle EGB : master side detector pulse count	O	O			B	I-5.8.8
369	3387	4387	4387		0	Spindle EGB : synchronous ratio numerator	O	O			B	I-5.8.8
370	3388	4388	4388		0	Spindle EGB : synchronous ratio denominator	O	O			B	I-5.8.8
373	3391	4391	4391		0	Resonance elimination filter 1 : attenuation center frequency	O	O			B	I-4.2.2
374	3392	4392	4392		0	Resonance elimination filter 1 : attenuation bandwidth	O	O			B	I-4.2.2
375	3393	4393	4393		0	Resonance elimination filter 1 : damping	O	O			B	I-4.2.2
376H	3394	4394	4394	#2	0	Setting of the detection lower limit of the one-rotation signal	O	O			A	I-1.3.2
				#3	0	Setting of the fine acceleration/deceleration (FAD) function (16i)	O	O			B	I-5.6.4
				#4	0	Acceleration/deceleration type of fine acceleration/deceleration (FAD) (16i)	O	O			B	I-5.6.4
				#5	0	Whether to detect the alarm related to spindle sensor polarity erroneous setting	O	O			A	I-1.3.2
376L	3395	4395	4395	#3	0	Setting of parameter transfer from the CNC to spindle software	O	O	O	O	B	I-2.6.4
				#6	0	Triggering of the disturbance input function (vibration application function)	O	O			B	I-4.2.3
				#7	0	Setting of the disturbance input function (vibration application function)	O	O			B	I-4.2.3
378H	3398	4398	4398	#3	0	Whether to use the twin drive function	O	O			B	I-5.10.6
				#6	0	Whether to detect a speed polarity error (spindle alarm d0) in torque tandem operation	O	O			B	I-5.10.6
378L	3399	4399	4399	#2	0	Specifies whether to enable the soft start/stop function when emergency stop operation is performed	O	O			B	I-2.1.6
383	3406	4406	4406		0	Acceleration/deceleration time constant for Cs contouring control/servo mode	O	O			B	I-2.3.6 I-2.4.8

Internal data No. F-xxx	15i	16i	30i	bit	Standard initial setting data	Contents	Application				Classification	Reference item
							MH	ML	SH	SL		
385	3408	4408	4408		0	Fine acceleration/deceleration time constant (16i)	O	O	O	O	B	I-5.6.4
386	3409	4409	4409		0	Feed forward timing adjustment coefficient	O	O			B	I-5.6.4
387	3410	4410	4410		0	Disturbance input function : measurement start frequency	O	O	O	O	B	I-4.2.3
388	3411	4411	4411		0	Disturbance input function : measurement end frequency	O	O	O	O	B	I-4.2.3
389	3412	4412	4412		0	Disturbance input function : measurement frequency interval	O	O	O	O	B	I-4.2.3
390	3413	4413	4413		0	Disturbance input function : number of measurements per frequency	O	O	O	O	B	I-4.2.3
391	3414	4414	4414		0	Disturbance input function : disturbance torque command amplitude	O	O	O	O	B	I-4.2.3
392	3415	4415	4415		0	Disturbance input function : motor speed command for measurement	O	O	O	O	B	I-4.2.3
393	3416	4416	4416		0	Resonance elimination filter 2 : attenuation center frequency	O	O			B	I-4.2.2
394	3417	4417	4417		0	Resonance elimination filter 2 : attenuation bandwidth	O	O			B	I-4.2.2
395	3418	4418	4418		0	Resonance elimination filter 2 : damping	O	O			B	I-4.2.2
396	3419	4419	4419		0	Resonance elimination filter 3 : attenuation center frequency	O	O			B	I-4.2.2
397	3420	4420	4420		0	Resonance elimination filter 3 : attenuation bandwidth	O	O			B	I-4.2.2
398	3421	4421	4421		0	Resonance elimination filter 3 : damping	O	O			B	I-4.2.2
399	3422	4422	4422		0	Resonance elimination filter 4 : attenuation center frequency	O	O			B	I-4.2.2
400	3423	4423	4423		0	Resonance elimination filter 4 : attenuation bandwidth	O	O			B	I-4.2.2
401	3424	4424	4424		0	Resonance elimination filter 4 : damping	O	O			B	I-4.2.2
414	3437	4437	4437		-1	Reserved						
415	3438	4438	4438		0	Spindle speed limit for safety 2	O	O			D	
416	3439	4439	4439		-1	Reserved						
417	3440	4440	4440		0	Spindle speed limit for safety 3	O	O			D	
418	3441	4441	4441		-1	Reserved						
419	3442	4442	4442		0	Spindle speed limit for safety 4	O	O			D	
420	3443	4443	4443		0	Feed-forward coefficient of velocity loop		O			B	App. B
424	3447	4447	4447		-1	Reserved						
425	3448	4448	4448		0	Criterion level for spindle stop	O	O			D	
441	3464	4464	4464		0	Velocity command-dependent over speed 2 (spindle alarm 92) detection offset level 2	O	O	O	O	D	I-2.6.4
442	3465	4465	4465		0	Excessive speed deviation level2	O	O	O	O	D	I-2.6.4
443	3466	4466	4466		0	Excessive speed deviation detection time 2	O	O	O	O	D	I-2.6.4
424	3447	4447	4447		-1	Reserved						
425	3448	4448	4448		0	Criterion level for spindle stop	O	O			D	
441	3464	4464	4464		0	Velocity command-dependent over speed detection offset level	O	O	O	O	D	I-2.6.4
442	3465	4465	4465		0	Excessive speed deviation level 2	O	O	O	O	D	I-2.6.4
443	3466	4466	4466		0	Excessive speed deviation detection time 2	O	O	O	O	D	I-2.6.4
444H	3467	4467	4467	#2	0	Setting of the detection lower limit of the one-rotation signal			O	O	A	App. B
				#3	0	Setting of the fine acceleration/deceleration (FAD) function (16i)			O	O	B	App. B
				#4	0	Acceleration/deceleration type of fine acceleration/deceleration (FAD) (16i)			O	O	B	App. B
				#5	0	Whether to detect the alarm related to spindle sensor polarity erroneous setting			O	O	A	App. B
444L	3468	4468	4468	#6	0	Triggering of the disturbance input function (vibration application function)			O	O	B	App. B
				#7	0	Setting of the disturbance input function (vibration application function)			O	O	B	App. B

Internal data No. F-xxx	15i	16i	30i	bit	Standard initial setting data	Contents	Application				Classification	Reference item
							MH	ML	SH	SL		
446L	3472	4472	4472	#2	0	Specifies whether to enable the soft start/stop function when emergency stop operation is performed			O	O	B	App. B
453	3481	4481	4481		0	Feed-forward timing adjustment coefficient			O	O	B	App. B
458	3486	4486	4486		0	Feed-forward coefficient of velocity loop				O	B	App. B
470	3498	4498	4498		0	Spindle EGB master side : denominator of arbitrary gear ratio between motor sensor and spindle	O	O			B	I-5.8.8
471	3499	4499	4499		0	Spindle EGB master side : numerator of arbitrary gear ratio between motor sensor and spindle	O	O			B	I-5.8.8
472	3500	4500	4500		0	Denominator of arbitrary gear ratio between spindle sensor and spindle (High)	O	O			A	I-1.3.2
473	3501	4501	4501		0	Numerator of arbitrary gear ratio between spindle sensor and spindle (High)	O	O			A	I-1.3.2
474	3502	4502	4502		0	Denominator of arbitrary gear ratio between spindle sensor and spindle (Low)	O	O			A	I-1.3.2
475	3503	4503	4503		0	Numerator of arbitrary gear ratio between spindle sensor and spindle (Low)	O	O			A	I-1.3.2
480	3508	4508	4508		0	Rate of change in acceleration at soft start/stop	O	O	O	O	B	I-2.1.6
487	3515	4515	4515		0	Excessive speed deviation alarm detection level on spindle synchronous control	O	O			D	I-2.5.8
488	3516	4516	4516		0	Excessive positional deviation alarm detection level on spindle synchronous control	O	O			D	I-2.5.8
492	3520	4520	4520		0	Primary delay time constant in dual position feedback [in servo mode]	O	O			B	I-5.10.5
493	3521	4521	4521		0	Maximum amplitude in dual position feedback [in servo mode]	O	O			B	I-5.10.5
494	3522	4522	4522		0	Dual position feedback zero width [in servo mode]	O	O			B	I-5.10.5
495	3523	4523	4523		0	Excessive semi-closed loop/closed loop position error alarm detection level [in servo mode]	O	O			B	I-1.5.10
499	3527	4527	4527		0	Temperature difference between warning level and alarm level	O	O	O	O	D	I-2.6.4

A.2 α Ci SERIES SPINDLE PARAMETER TABLE

α Ci series spindle parameters are classified into the following types:

A : Parameters related to the setup of detectors

B : Parameters related to the setup of various functions
(operating modes)

C : Unique parameters for the drive of spindle motors
(Set the parameter data according to the parameter list for each motor model.)

D : Parameters related to the setting of alarm detection conditions

Internal data No. F-xxx	15i	16i	30i	bit	Standard initial setting data	Contents	Classification	Reference item				
0H	3000	4000	4000	#0	0	Rotation direction relationship between the spindle and motor	A	III-1.3.2				
				#4	0	Return direction for the reference position on servo mode	B	III-2.3.7				
0L	3001	4001	4001	#0	1	Whether to use MRDY (machine ready) signal	B	III-2.5.4				
				#4	0	Spindle sensor (position coder) attachment direction	A	III-1.3.2				
1H	3002	4002	4002	#0	0	Spindle sensor type	A	III-1.3.2				
				#1	0	Spindle sensor type	A	III-1.3.2				
				#2	0	Spindle sensor type	A	III-1.3.2				
				#3	0	Spindle sensor type	A	III-1.3.2				
				#4	0	SM pin output data selection	B	III-2.5.4				
				#5	0	Whether to use the rotation direction signal (SFR/SRV) function on servo mode	B	III-2.3.7				
1L	3003	4003	4003	#2	0	Rotation direction during spindle orientation	B	III-2.2.9				
				#3	0	Rotation direction during spindle orientation	B	III-2.2.9				
				#4	0	Teeth number setting of spindle sensor	A	III-1.3.2				
				#5	0	Teeth number setting of spindle sensor	A	III-1.3.2				
				#6	0	Teeth number setting of spindle sensor	A	III-1.3.2				
				#7	0	Teeth number setting of spindle sensor	A	III-1.3.2				
				#2	0	Setting of the velocity feedback method	A	III-1.3.2				
2L	3005	4005	4005	#0	0	Setting of the velocity feedback method	A	III-1.3.2				
				3H	3006	4006	4006	#1	0	Increment system of gear ratio	A	III-1.3.2
								#2	0	Increment system of spindle speed	C	III-2.5.4
						#3	0	Automatic detection of one-rotation signal during spindle synchronous control	B	III-2.4.8		
						#5	0	Setting of analog override range	B	III-2.1.6		
						3L	3007	4007	4007	#5	0	Whether to detect a feedback signal disconnection
#6	0	Whether to detect the alarms (spindle alarms 41, 42, and 47) related to the position feedback signal (when non-Cs contouring control mode is set)	A	III-1.3.2								
4L	3009	4009	4009	#2	0	Motor power turn-off method when spindle alarm 24 (serial data transfer error) is issued	D	III-2.5.4				
				#4	0	Whether to output the load detection signals (LDT1) during acceleration/deceleration	B	III-2.1.6				
				#6	0	Analog override type	B	III-2.1.6				
5L	3011	4011	4011	#3	1	Number of motor poles	C	III-2.5.3				
				#4	Depends on the model	Setting of maximum output during acceleration/deceleration	C	III-2.5.3				
				#7	0	Number of motor poles	C	III-2.5.3				
				6H	3012	4012	4012	#0	0	Setting of PWM carrier frequency	C	III-2.5.3
#1	0	Setting of PWM carrier frequency	C					III-2.5.3				
#2	0	Setting of PWM carrier frequency	C					III-2.5.3				
6L	3013	4013	4013	#2	Depends on the model	Current dead-band data	C	III-2.5.3				

Internal data No. F-xxx	15i	16i	30i	bit	Standard initial setting data	Contents	Classification	Reference item
				#3	Depends on the model	Current dead-band data	C	III-2.5.3
				#4	Depends on the model	Current dead-band data	C	III-2.5.3
				#5	Depends on the model	Current dead-band data	C	III-2.5.3
				#6	Depends on the model	Current dead-band data	C	III-2.5.3
7L	3015	4015	4015	#0	0	Whether to use the spindle orientation function	B	III-2.2.8
8H	3016	4016	4016	#6	0	Whether to detect the alarm (spindle alarms 46) related to feedback of the position detection signal for threading	A	III-1.3.2
				#7	0	Function for newly detecting the one-rotation signal before entering position control mode	A	III-1.3.2
8L	3017	4017	4017	#7	0	Setting of shortcut orientation from stop state in position coder method spindle orientation	B	III-2.2.9
9L	3019	4019	4019	#2	1	Whether to use torque clamp at zero speed	B	III-2.5.4
				#7	0	Automatic parameter setting function (16i)	B	III-2.1.6
10	3020	4020	4020		6000	Maximum motor speed	C	III-2.1.6
12	3022	4022	4022		150	Speed arrival detection level (SAR)	B	III-2.5.4
13	3023	4023	4023		30	Speed detection level (SDT)	B	III-2.5.4
14	3024	4024	4024		75	Zero speed detection level (SST)	B	III-2.5.4
15	3025	4025	4025		50	Limited torque (TLMH)	B	III-2.5.4
16	3026	4026	4026		83	Load detection level 1 (LDT1)	B	III-2.5.4
21	3031	4031	4031		0	Stop position of position coder method orientation	B	III-2.2.9
22	3032	4032	4032		0	Acceleration for spindle synchronous control	B	III-2.4.8
23	3033	4033	4033		10	Spindle synchronous speed arrival level	B	III-2.4.8
24	3034	4034	4034		0	Shift during synchronous control of spindle phase	B	III-2.4.8
25	3035	4035	4035		0	Compensation data for spindle phase synchronous control	B	III-2.4.8
28	3038	4038	4038		0	Spindle orientation speed	B	III-2.2.9
30	3040	4040	4040		Depends on the model	Velocity loop proportional gain on velocity control mode (High)	B	III-2.1.6
31	3041	4041	4041		Depends on the model	Velocity loop proportional gain on velocity control mode (Low)	B	III-2.1.6
32	3042	4042	4042		Depends on the model	Velocity loop proportional gain on orientation (High)	B	III-2.2.9
33	3043	4043	4043		Depends on the model	Velocity loop proportional gain on orientation (Low)	B	III-2.2.9
34	3044	4044	4044		Depends on the model	Velocity loop proportional gain on servo mode/spindle synchronous control (High)	B	III-2.3.7 III-2.4.8
35	3045	4045	4045		Depends on the model	Velocity loop proportional gain on servo mode/spindle synchronous control (Low)	B	III-2.3.7 III-2.4.8
38	3048	4048	4048		Depends on the model	Velocity loop integral gain on velocity control mode (High)	B	III-2.1.6
39	3049	4049	4049		Depends on the model	Velocity loop integral gain on velocity control mode (Low)	B	III-2.1.6
40	3050	4050	4050		Depends on the model	Velocity loop integral gain on orientation (High)	B	III-2.2.9
41	3051	4051	4051		Depends on the model	Velocity loop integral gain on orientation (Low)	B	III-2.2.9
42	3052	4052	4052		Depends on the model	Velocity loop integral gain on servo mode/spindle synchronous control (High)	B	III-2.3.7 III-2.4.8
43	3053	4053	4053		Depends on the model	Velocity loop integral gain on servo mode/spindle synchronous control (Low)	B	III-2.3.7 III-2.4.8
46	3056	4056	4056		100	Gear ratio (High)	A	III-1.3.2
47	3057	4057	4057		100	Gear ratio (Medium High)	A	III-1.3.2
48	3058	4058	4058		100	Gear ratio (Medium Low)	A	III-1.3.2
49	3059	4059	4059		100	Gear ratio (Low)	A	III-1.3.2
50	3060	4060	4060		1000	Position gain on orientation (High)	B	III-2.2.9
51	3061	4061	4061		1000	Position gain on orientation (Medium High)	B	III-2.2.9

Internal data No. F-xxx	15i	16i	30i	bit	Standard initial setting data	Contents	Classification	Reference item
52	3062	4062	4062		1000	Position gain on orientation (Medium Low)	B	III-2.2.9
53	3063	4063	4063		1000	Position gain on orientation (Low)	B	III-2.2.9
54	3064	4064	4064		100	Acceleration limitation ratio at deceleration time	B	III-2.2.9
55	3065	4065	4065		1000	Position gain on servo mode/spindle synchronous control (High)	B	III-2.3.7 III-2.4.8
56	3066	4066	4066		1000	Position gain on servo mode/spindle synchronous control (Medium High)	B	III-2.3.7 III-2.4.8
57	3067	4067	4067		1000	Position gain on servo mode/spindle synchronous control (Medium Low)	B	III-2.3.7 III-2.4.8
58	3068	4068	4068		1000	Position gain on servo mode/spindle synchronous control (Low)	B	III-2.3.7 III-2.4.8
59	3069	4069	4069		900	Acceleration/deceleration constant (High)	B	III-2.1.6
60	3070	4070	4070		900	Acceleration/deceleration constant (Medium High)	B	III-2.1.6
61	3071	4071	4071		900	Acceleration/deceleration constant (Medium Low)	B	III-2.1.6
62	3072	4072	4072		900	Acceleration/deceleration constant (Low)	B	III-2.1.6
63	3073	4073	4073		0	Grid shift on servo mode	B	III-2.3.7
64	3074	4074	4074		0	Reference position return speed on servo mode	B	III-2.3.7
65	3075	4075	4075		10	Detection level for orientation completion signal	B	III-2.2.9
67	3077	4077	4077		0	Orientation stop position shift	B	III-2.2.9
68	3078	4078	4078		0	Gear switch timer	B	III-2.5.4
70	3080	4080	4080		Depends on the model	Regenerative power limit for high-speed zone/regenerative power limit	B	III-2.5.3
71	3081	4081	4081		20	Delay time until motor power is cut off	B	III-2.1.6
72	3082	4082	4082		10	Setting of acceleration/deceleration time	B	III-2.1.6
73	3083	4083	4083		60	Motor voltage on velocity control mode	C	III-2.1.6
74	3084	4084	4084		60	Motor voltage on orientation	C	III-2.2.9
75	3085	4085	4085		60	Motor voltage on servo mode/spindle synchronous control mode	C	III-2.3.7 III-2.4.8
76	3086	4086	4086		0	Gear ratio parameter setting error alarm (spindle alarm 35) detection level	D	III-2.5.4
78	3088	4088	4088		75	Level for detecting excess velocity error when motor is restrained	D	III-2.5.4
79	3089	4089	4089		200	Level for detecting excess velocity error when motor rotates	D	III-2.5.4
80	3090	4090	4090		90	Overload detection level	D	III-2.5.4
81	3091	4091	4091		100	Rate of change in position gain during reference position return on servo mode	B	III-2.3.7
85	3095	4095	4095		0	Speedometer pin output voltage adjustment value	B	III-2.5.4
88	3098	4098	4098		0	Maximum speed for position coder signal detection	A	III-1.3.2
89	3099	4099	4099		0	Delay time for motor excitation	B	III-2.3.7
90	3100	4100	4100		Depends on the model	Base speed of motor output specifications	C	III-2.5.3
91	3101	4101	4101		Depends on the model	Output limit for motor output specifications	C	III-2.5.3
92	3102	4102	4102		Depends on the model	Excitation voltage saturation speed at no-load	C	III-2.5.3
93	3103	4103	4103		Depends on the model	Compensation data for resistance	C	III-2.5.3
94	3104	4104	4104		Depends on the model	Current loop proportional gain	C	III-2.5.3
95	3105	4105	4105		Depends on the model	Current loop integral gain	C	III-2.5.3
96	3106	4106	4106		Depends on the model	D-axis current loop gain	C	III-2.5.3
97	3107	4107	4107		Depends on the model	Q-axis current loop gain	C	III-2.5.3
98	3108	4108	4108		Depends on the model	Q-axis current deviation limitation coefficient	C	III-2.5.3
99	3109	4109	4109		Depends on the model	Filter time constant for processing saturation related to the voltage command	C	III-2.5.3

Internal data No. F-xxx	15i	16i	30i	bit	Standard initial setting data	Contents	Classification	Reference item
100	3110	4110	4110		Depends on the model	Current conversion constant	C	III-2.5.3
101	3111	4111	4111		Depends on the model	Secondary current coefficient	C	III-2.5.3
102	3112	4112	4112		Depends on the model	Criterion level for saturation related to the voltage command/PWM command clamp value	C	III-2.5.3
103	3113	4113	4113		Depends on the model	Slip constant	C	III-2.5.3
105	3115	4115	4115		Depends on the model	PWM command clamp value at deceleration	C	III-2.5.3
106	3116	4116	4116		Depends on the model	Motor leakage constant	C	III-2.5.3
107	3117	4117	4117		Depends on the model	Regular-time voltage compensation coefficient for high-speed zone/regular-time motor voltage coefficient	C	III-2.5.3
108	3118	4118	4118		Depends on the model	Acceleration-time voltage compensation coefficient for high-speed zone/acceleration-time motor voltage coefficient	C	III-2.5.3
109	3119	4119	4119		Depends on the model	Deceleration-time excitation current change time constant/excitation current change time constant	C	III-2.5.3
110	3120	4120	4120		Depends on the model	Dead-band compensation data	C	III-2.5.3
111	3121	4121	4121		5	Time constant for changing the torque (TCMD filter time constant)	B	III-2.5.4
113	3123	4123	4123		30	Short-time overload detection time	D	III-2.5.4
117	3127	4127	4127		Depends on the model	Value displayed on load meter at maximum output	C	III-2.5.3
118	3128	4128	4128		Depends on the model	Compensation coefficient between the specification and true base/maximum torque curve compensation coefficient	C	III-2.5.3
120	3130	4130	4130		Depends on the model	Current loop proportional gain speed coefficient/current phase delay compensation coefficient	C	III-2.5.3
121	3131	4131	4131		Depends on the model	Dead-band compensation hysteresis	B	III-2.5.3
123	3133	4133	4133		Depends on the model	Motor model code	C	III-2.5.3
124 125	3134	4134	4134		Depends on the model	Motor overheat detect level (2-word)	C	III-2.5.3
152	3160	4160	4160		0	Hysteresis of speed detection level	B	I-5.1.7
304	3320	4320	4320		0	Acceleration at orientation deceleration time (High)	B	III-2.2.9
305	3321	4321	4321		0	Acceleration at orientation deceleration time (Medium High)	B	III-2.2.9
306	3322	4322	4322		0	Acceleration at orientation deceleration time (Medium Low)	B	III-2.2.9
307	3323	4323	4323		0	Acceleration at orientation deceleration time (Low)	B	III-2.2.9
312	3328	4328	4328		0	Command multiplication for spindle orientation by position coder	B	I-5.3.6
320	3336	4336	4336		0	Switching point used for an acceleration/deceleration time constant used for spindle synchronous control	B	III-2.4.8
324	3340	4340	4340		0	Bell-shaped acceleration/deceleration time constant during spindle synchronous control	B	III-2.4.8

A.3 BiS SERIES SPINDLE PARAMETER TABLE

Spindle parameters are classified into the following types:

A : Parameters related to the setup of detectors

B : Parameters related to the setup of various functions
(operating modes)

C : Unique parameters for the drive of spindle motors
(Set the parameter data according to the parameter list for each motor model.)

D : Parameters related to the setting of alarm detection conditions

Internal data No. F-xxx	15i	16i	30i	bit	Standard initial setting data	Contents	Classification	Reference item
0H	3000	4000	4000	#0	0	Rotation direction relationship between the spindle and motor	A	IV-1.3.2
				#1	0	Spindle rotation direction when a positive (+) move command is specified on Cs contouring control	B	IV-2.4.8
				#3	0	Return direction for the reference position on Cs contouring control mode	B	IV-2.4.8
				#4	0	Return direction for the reference position on servo mode	B	IV-2.3.7
0L	3001	4001	4001	#0	1	Whether to use MRDY (machine ready) signal	B	IV-2.6.4
				#4	0	Mounting direction of the spindle sensor	A	IV-1.3.2
1H	3002	4002	4002	#0	0	Spindle sensor type	A	IV-1.3.2
				#1	0	Spindle sensor type	A	IV-1.3.2
				#2	0	Spindle sensor type	A	IV-1.3.2
				#3	0	Spindle sensor type	A	IV-1.3.2
				#4	0	Whether to use the rotation direction signal (SFR/SRV) function on Cs contouring control	B	IV-2.4.8
				#5	0	Whether to use the rotation direction signal (SFR/SRV) function on servo mode	B	IV-2.3.7
				#6	0	Whether to use the rotation direction signal (SFR/SRV) function on spindle synchronous control	B	IV-2.5.8
				#7	0	Whether to use the CMR (servo mode Cs contouring) function in servo mode	B	
1L	3003	4003	4003	#0	0	Spindle orientation method	B	IV-2.2.12
				#2	0	Rotation direction during spindle orientation	B	IV-2.2.12
				#3	0	Rotation direction during spindle orientation	B	IV-2.2.12
				#4	0	Teeth number setting of spindle sensor	A	IV-1.3.2
				#5	0	Teeth number setting of spindle sensor	A	IV-1.3.2
				#6	0	Teeth number setting of spindle sensor	A	IV-1.3.2
				#7	0	Teeth number setting of spindle sensor	A	IV-1.3.2
2L	3005	4005	4005	#0	0	Command resolution for Cs contouring control	B	IV-2.4.8
3H	3006	4006	4006	#1	0	Increment system of gear ratio	A	IV-1.3.2
				#3	0	Automatic detection of one-rotation signal during spindle synchronous control	B	IV-2.5.8
				#4	0	Sets the D-phase current command.	C	IV-2.6.3
				#5	0	Setting of analog override range	B	IV-2.1.6
				#7	0	Whether to use the command arbitrary gear ratio (CMR) function on rigid tapping	B	IV-2.3.7
3L	3007	4007	4007	#5	0	Whether to detect a feedback signal disconnection	A	IV-1.3.2
				#6	0	Whether to detect the alarms (spindle alarms 41, 42, 47, 81, 82, 83, 85, 86, and 87) related to the position feedback signal (when non-Cs contouring control mode is set)	A	IV-1.3.2
				#7	0	Magnetic pole detection start signal selection	B	IV-1.5.3
4H	3008	4008	4008	#0	0	Reserved	C	
				#1	0	Reserved	C	
				#2	0	Reserved	C	

Internal data No. F-xxx	15i	16i	30i	bit	Standard initial setting data	Contents	Classification	Reference item
				#3	0	Sets the current command.	C	IV-2.6.3
				#4	Depends on the model	Setting of output limitation method	C	IV-2.6.3
				#5	0	Whether to use the SSM	B	IV-1.4.4
				#6	0	Reference magnetic pole position selection (Whether to use the AMR offset function)	B	IV-1.5.3 IV-1.5.5
4L	3009	4009	4009	#0	0	Increment system of velocity loop gain	B	IV-2.6.4
				#2	0	Motor power turn-off method when spindle alarm 24 (serial data transfer error) is issued	D	IV-2.6.4
				#4	0	Whether to output the load detection signals (LDT1, LDT2) during acceleration/deceleration	B	IV-2.1.6
				#5	Depends on the model	Setting related to magnetic flux reduction speed	C	IV-2.6.3
				#6	0	Analog override type	B	IV-2.1.6
5H	3010	4010	4010	#0	Depends on the model	Motor sensor type	A	IV-1.3.2
				#1	Depends on the model	Motor sensor type	A	IV-1.3.2
				#2	Depends on the model	Motor sensor type	A	IV-1.3.2
5L	3011	4011	4011	#0	Depends on the model	Teeth number setting of motor sensor	A	IV-1.3.2
				#1	Depends on the model	Teeth number setting of motor sensor	A	IV-1.3.2
				#2	Depends on the model	Teeth number setting of motor sensor	A	IV-1.3.2
				#3	Depends on the model	Number of motor poles	C	IV-2.6.3
				#4	Depends on the model	Setting of maximum output during acceleration/deceleration	C	IV-2.6.3
				#7	Depends on the model	Number of motor poles	C	IV-2.6.3
6H	3012	4012	4012	#0	Depends on the model	Setting of PWM carrier frequency	C	IV-2.6.3
				#1	Depends on the model	Setting of PWM carrier frequency	C	IV-2.6.3
				#2	Depends on the model	Setting of PWM carrier frequency	C	IV-2.6.3
				#6	1	Setting of the synchronous built-in spindle motor	C	IV-2.6.3
				#7	1	Setting of spindle HRV function	C	IV-2.6.3
6L	3013	4013	4013	#2	Depends on the model	Current dead-band data	C	IV-2.6.3
				#3	Depends on the model	Current dead-band data	C	IV-2.6.3
				#4	Depends on the model	Current dead-band data	C	IV-2.6.3
				#5	Depends on the model	Current dead-band data	C	IV-2.6.3
				#6	Depends on the model	Current dead-band data	C	IV-2.6.3
7H	3014	4014	4014	#7	0	Setting of dual position feedback	B	IV-5.5.6
7L	3015	4015	4015	#0	0	Whether to use the spindle orientation function	B	IV-2.2.12
				#1	0	Whether to use the unexpected disturbance torque detection function	B	IV-5.7.5
8H	3016	4016	4016	#3	0	Setting of the smoothing function in feed-forward control	B	IV-2.4.8 IV-5.8.7
				#5	0	Whether to detect the alarms (spindle alarms 81, 82, 85, 86) related to position feedback (on Cs contouring control mode)	A	IV-1.3.2
				#6	0	Whether to detect the alarm (spindle alarms 46) related to feedback of the position detection signal for threading	A	IV-1.3.2

Internal data No. F-xxx	15i	16i	30i	bit	Standard initial setting data	Contents	Classification	Reference item
				#7	0	Function for newly detecting the one-rotation signal before entering position control mode	A	IV-1.3.2
8L	3017	4017	4017	#7	0	Setting of shortcut orientation from stop state in position coder method spindle orientation	B	IV-2.2.12
9H	3018	4018	4018	#3	0	Type of position coder method orientation	B	IV-2.2.12
				#4	0	Optimum orientation: Setting of velocity feedforward (CTH1A=0)	B	IV-2.2.12
				#5	0	Optimum orientation: Setting of velocity feedforward (CTH1A=1) High-speed orientation: Velocity command compensation function	B	IV-2.2.12 IV-5.14.7
				#6	0	Type of position coder method orientation	B	IV-2.2.12
9L	3019	4019	4019	#2	1	Whether to use torque clamp at zero speed	B	IV-2.6.4
				#7	0	Automatic parameter setting function (16i)	B	IV-1.1.2 IV-2.6.4
10	3020	4020	4020		Depends on the model	Maximum motor speed	C	IV-1.4.4 IV-2.6.3
11	3021	4021	4021		100	Maximum speed on Cs contouring control mode	B	IV-2.4.8
12	3022	4022	4022		150	Speed arrival detection level (SAR)	B	IV-2.6.4
13	3023	4023	4023		30	Speed detection level (SDT)	B	IV-2.6.4
14	3024	4024	4024		75	Zero speed detection level (SST)	B	IV-2.6.4
15	3025	4025	4025		50	Limited torque (TLMH, TLML)	B	IV-2.6.4
16	3026	4026	4026		83	Load detection level 1 (LDT1)	B	IV-2.6.4
17	3027	4027	4027		95	Load detection level 2 (LDT2)	B	IV-2.6.4
20	3030	4030	4030		0	Soft start/stop time (SOCN)	B	IV-2.1.6
21	3031	4031	4031		0	Stop position of position coder method orientation	B	IV-2.2.12
22	3032	4032	4032		0	Acceleration on spindle synchronous control	B	IV-2.5.8
23	3033	4033	4033		10	Spindle synchronous speed arrival level	B	IV-2.5.8
24	3034	4034	4034		0	Shift during synchronous control of spindle phase	B	IV-2.5.8
25	3035	4035	4035		0	Compensation data for spindle phase synchronous control	B	IV-2.5.8
26	3036	4036	4036		0	Feed-forward coefficient	B	IV-2.4.8 IV-5.8.8
27	3037	4037	4037		0	Feed-forward coefficient of velocity loop	B	IV-2.4.8 IV-5.6.4 IV-5.8.8
28	3038	4038	4038		0	Optimum orientation: Orientation speed upper limit Conventional method orientation, High-speed orientation: Spindle orientation speed	B	IV-2.2.12 IV-5.14.7
29	3039	4039	4039		0	Reserved	C	
30	3040	4040	4040		10	Velocity loop proportional gain on velocity control mode (High)	B	IV-2.1.6
31	3041	4041	4041		10	Velocity loop proportional gain on velocity control mode (Low)	B	IV-2.1.6
32	3042	4042	4042		10	Velocity loop proportional gain on orientation (High)	B	IV-2.2.12
33	3043	4043	4043		10	Velocity loop proportional gain on orientation (Low)	B	IV-2.2.12
34	3044	4044	4044		10	Velocity loop proportional gain on servo mode/spindle synchronous control (High)	B	IV-2.3.7 IV-2.5.8
35	3045	4045	4045		10	Velocity loop proportional gain on servo mode/spindle synchronous control (Low)	B	IV-2.3.7 IV-2.5.8
36	3046	4046	4046		30	Velocity loop proportional gain on Cs contouring control (High)	B	IV-2.4.8
37	3047	4047	4047		30	Velocity loop proportional gain on Cs contouring control (Low)	B	IV-2.4.8
38	3048	4048	4048		10	Velocity loop integral gain on velocity control mode (High)	B	IV-2.1.6
39	3049	4049	4049		10	Velocity loop integral gain on velocity control mode (Low)	B	IV-2.1.6
40	3050	4050	4050		10	Velocity loop integral gain on orientation (High)	B	IV-2.2.12
41	3051	4051	4051		10	Velocity loop integral gain on orientation (Low)	B	IV-2.2.12
42	3052	4052	4052		10	Velocity loop integral gain on servo mode/spindle synchronous control (High)	B	IV-2.3.7 IV-2.5.8

Internal data No. F-xxx	15i	16i	30i	bit	Standard initial setting data	Contents	Classification	Reference item
43	3053	4053	4053		10	Velocity loop integral gain on servo mode/spindle synchronous control (Low)	B	IV-2.3.7 IV-2.5.8
44	3054	4054	4054		50	Velocity loop integral gain on Cs contouring control (High)	B	IV-2.4.8
45	3055	4055	4055		50	Velocity loop integral gain on Cs contouring control (Low)	B	IV-2.4.8
46	3056	4056	4056		100	Gear ratio (High)	A	IV-1.3.2
47	3057	4057	4057		100	Gear ratio (Medium High)	A	IV-1.3.2
48	3058	4058	4058		100	Gear ratio (Medium Low)	A	IV-1.3.2
49	3059	4059	4059		100	Gear ratio (Low)	A	IV-1.3.2
50	3060	4060	4060		1000	Position gain on orientation (High)	B	IV-2.2.12
51	3061	4061	4061		1000	Position gain on orientation (Medium High)	B	IV-2.2.12
52	3062	4062	4062		1000	Position gain on orientation (Medium Low)	B	IV-2.2.12
53	3063	4063	4063		1000	Position gain on orientation (Low)	B	IV-2.2.12
54	3064	4064	4064		100	Ordinary orientation: Rate of change in position gain upon completion of orientation High-speed orientation: Rate of change in position gain upon completion of orientation Optimum orientation: Position feedforward coefficient	B	IV-2.2.12 IV-5.14.7
55	3065	4065	4065		1000	Position gain on servo mode/spindle synchronous control (High)	B	IV-2.3.7 IV-2.5.8
56	3066	4066	4066		1000	Position gain on servo mode/spindle synchronous control (Medium High)	B	IV-2.3.7 IV-2.5.8
57	3067	4067	4067		1000	Position gain on servo mode/spindle synchronous control (Medium Low)	B	IV-2.3.7 IV-2.5.8
58	3068	4068	4068		1000	Position gain on servo mode/spindle synchronous control (Low)	B	IV-2.3.7 IV-2.5.8
59	3069	4069	4069		3000	Position gain on Cs contouring control (High)	B	IV-2.4.8
60	3070	4070	4070		3000	Position gain on Cs contouring control (Medium High)	B	IV-2.4.8
61	3071	4071	4071		3000	Position gain on Cs contouring control (Medium Low)	B	IV-2.4.8
62	3072	4072	4072		3000	Position gain on Cs contouring control (Low)	B	IV-2.4.8
63	3073	4073	4073		0	Grid shift on servo mode	B	IV-2.3.7
64	3074	4074	4074		0	Reference position return speed on Cs contouring control/servo mode	B	IV-2.3.7 IV-2.4.8
65	3075	4075	4075		10	Detection level for orientation completion signal (ORAR)	B	IV-2.2.12
66	3076	4076	4076		33	Ordinary orientation: Motor speed limit value on orientation High-speed orientation: Reserved Optimum orientation: Bell-shaped acceleration / deceleration time constant	B	IV-2.2.12
67	3077	4077	4077		0	Orientation stop position shift	B	IV-2.2.12
70	3080	4080	4080		Depends on the model	Regenerative power limit for high-speed zone/regenerative power limit	C	IV-2.6.3
71	3081	4081	4081		20	Delay time until motor power is cut off	B	IV-2.1.6
72	3082	4082	4082		10	Setting of acceleration/deceleration time	B	IV-2.1.6
73	3083	4083	4083		0	Current ratio/motor stop confirmation time in magnetic pole detection operation	C	IV-1.5.5 IV-2.6.3
74	3084	4084	4084		0	AMR offset	C	IV-1.5.3 IV-1.5.5 IV-2.6.3
75	3085	4085	4085		0	AMR offset fine adjustment	C	IV-1.5.3 IV-1.5.5 IV-2.6.3
76	3086	4086	4086		Depends on the model	Inductance ratio	C	IV-2.6.3
77	3087	4087	4087		115	Overspeed level	D	IV-2.6.4
78	3088	4088	4088		75	Level for detecting excess velocity error when motor is restrained	D	IV-2.6.4
79	3089	4089	4089		200	Level for detecting excess velocity error when motor rotates	D	IV-2.6.4
80	3090	4090	4090		90	Overload detection level	D	IV-2.6.4

Internal data No. F-xxx	15i	16i	30i	bit	Standard initial setting data	Contents	Classification	Reference item
81	3091	4091	4091		100	Rate of change in position gain during reference position return on servo mode	B	IV-2.3.7
82	3092	4092	4092		100	Rate of change in position gain during reference position return on Cs contouring control	B	IV-2.4.8
84	3094	4094	4094		0	Disturbance torque compensation constant (acceleration feedback gain)	B	IV-2.4.8
85	3095	4095	4095		0	Adjusted output voltage of speedometer	B	IV-2.6.4
86	3096	4096	4096		0	Adjusted output voltage of load meter	B	IV-2.6.4
88	3098	4098	4098		0	Maximum speed for position feedback signal detection	A	IV-1.3.2
89	3099	4099	4099		0	Delay time for motor excitation	B	IV-2.3.7 IV-2.4.8
90	3100	4100	4100		Depends on the model	Base speed of motor output specifications	C	IV-2.6.3
91	3101	4101	4101		Depends on the model	Output limit for motor output specifications	C	IV-2.6.3
92	3102	4102	4102		Depends on the model	Base speed	C	IV-2.6.3
93	3103	4103	4103		Depends on the model	Magnetic flux reduction start speed / Current pattern switching speed	C	IV-2.6.3
94	3104	4104	4104		Depends on the model	Current loop proportional gain	C	IV-2.6.3
95	3105	4105	4105		0	Reserved	C	
96	3106	4106	4106		Depends on the model	Current loop integral gain	C	IV-2.6.3
97	3107	4107	4107		0	Reserved	C	
98	3108	4108	4108		Depends on the model	Velocity at which the current loop integral gain is zero	C	IV-2.6.3
99	3109	4109	4109		0	Reserved	C	IV-2.6.3
100	3110	4110	4110		Depends on the model	Current conversion constant	C	IV-2.6.3
101	3111	4111	4111		Depends on the model	Maximum current constant	C	IV-2.6.3
102	3112	4112	4112		Depends on the model	PWM command clamp value	C	IV-2.6.3
103	3113	4113	4113		Depends on the model	Current constant for magnetic flux reduction	C	IV-2.6.3
104	3114	4114	4114		0	Reserved	C	
105	3115	4115	4115		Depends on the model	PWM command clamp value at deceleration	C	IV-2.6.3
106	3116	4116	4116		Depends on the model	Counter electromotive voltage compensation constant for magnetic flux reduction speed at maximum load	C	IV-2.6.3
107	3117	4117	4117		Depends on the model	Interference voltage compensation constant for magnetic flux reduction speed at maximum load	C	IV-2.6.3
108	3118	4118	4118		0	Reserved	C	
109	3119	4119	4119		Depends on the model	Interference voltage compensation	C	IV-2.6.3
110	3120	4120	4120		Depends on the model	Dead-band rectangular wave component zero voltage/dead-band data	C	IV-2.6.3
111	3121	4121	4121		5	Time constant for changing the torque (TCMD filter time constant)	B	IV-4.2.1
112	3122	4122	4122		0	Time constant for velocity detecting filter	B	IV-2.6.4
113	3123	4123	4123		30	Short-time overload detection time	D	IV-2.6.4
114	3124	4124	4124		0	Reserved	C	
117	3127	4127	4127		Depends on the model	Value displayed on load meter at maximum output	C	IV-2.6.3
118	3128	4128	4128		0	Reserved	C	
119	3129	4129	4129		0	Reserved	C	
120	3130	4130	4130		Depends on the model	Current phase delay compensation coefficient	C	IV-2.6.3
121	3131	4131	4131		0	Time constant for velocity detecting filter (on Cs contouring control)	B	IV-2.4.8

Internal data No. F-xxx	15i	16i	30i	bit	Standard initial setting data	Contents	Classification	Reference item
123	3133	4133	4133		Depends on the model	Motor model code	C	IV-1.1.2 IV-2.6.3
124 125	3134	4134	4134		Depends on the model	Motor overheat detect level (2-word)	C	IV-2.6.3
126 127	3135	4135	4135		0	Grid shift during Cs contouring control mode I (2-word)	B	IV-2.4.8
152	3160	4160	4160		0	Hysteresis of speed detection level	B	IV-5.1.7
154	3162	4162	4162		0	Integral gain of velocity loop during cutting feed on Cs contouring control mode (High)	B	IV-2.4.8
155	3163	4163	4163		0	Integral gain of velocity loop during cutting feed on Cs contouring control mode (Low)	B	IV-2.4.8
161	3169	4169	4169		Depends on the model	Temperature monitoring time constant	C	IV-2.6.4
162	3170	4170	4170		0	Current overload alarm detection level	D	IV-2.6.4
163	3171	4171	4171		0	Denominator of arbitrary gear ratio between motor sensor and spindle (High)	A	IV-1.3.2
164	3172	4172	4172		0	Numerator of arbitrary gear ratio between motor sensor and spindle (High)	A	IV-1.3.2
165	3173	4173	4173		0	Denominator of arbitrary gear ratio between motor sensor and spindle (Low)	A	IV-1.3.2
166	3174	4174	4174		0	Numerator of arbitrary gear ratio between motor sensor and spindle (Low)	A	IV-1.3.2
230	3248	4248	4248		0	Spindle load monitor torque constant	B	IV-5.7.5
231	3249	4249	4249		0	Spindle load monitor observer gain 1	B	IV-5.7.5
232	3250	4250	4250		0	Spindle load monitor observer gain 2	B	IV-5.7.5
304	3320	4320	4320		0	Optimum orientation: Spindle acceleration command(High) High-speed orientation: Motor acceleration at deceleration time (High)	B	IV-2.2.12 IV-5.14.7
305	3321	4321	4321		0	Optimum orientation: Spindle acceleration command (Low) High-speed orientation: Motor acceleration at deceleration time (Medium High)	B	IV-2.2.12 IV-5.14.7
306	3322	4322	4322		0	High-speed orientation: Motor acceleration at deceleration time (Medium Low)	B	IV-5.14.7
307	3323	4323	4323		0	High-speed orientation: Motor acceleration at deceleration time (Low)	B	IV-5.14.7
308	3324	4324	4324		0	Optimum orientation: One-rotation signal detection speed	B	IV-2.2.12
310	3326	4326	4326		0	Optimum orientation: Time constant for overshoot compensation/Limit ratio for acceleration command (High) High-speed orientation: Acceleration limitation start speed at deceleration time (High)	B	IV-2.2.12 IV-5.14.7
311	3327	4327	4327		0	Optimum orientation: Time constant for overshoot compensation/Limit ratio for acceleration command (Low)	B	IV-2.2.12
312	3328	4328	4328		0	Command multiplication for spindle orientation by position coder	B	IV-5.3.6
314	3330	4330	4330		0	High-speed orientation: Acceleration limitation start speed at deceleration time (Low)	B	IV-5.14.7
318	3334	4334	4334		0	Number of motor sensor arbitrary teeth	A	IV-1.3.2
320	3336	4336	4336		0	Switching point used for an acceleration/deceleration time constant used for spindle synchronous control	B	IV-2.5.8
324	3340	4340	4340		0	Bell-shaped acceleration/deceleration time constant during spindle synchronous control	B	IV-2.5.8
325	3341	4341	4341		0	Unexpected disturbance torque detection level	B	IV-5.7.5
326	3342	4342	4342		0	Velocity loop gains override function on Cs contouring control mode (HIGH)	B	IV-2.4.8
327	3343	4343	4343		0	Velocity loop gains override function on Cs contouring control mode (LOW)	B	IV-2.4.8
328	3344	4344	4344		0	Advanced preview feed-forward coefficient	B	IV-5.6.4
329	3344	4345	4345		0	Spindle motor speed specification detection level	B	IV-2.6.4
330	3346	4346	4346		0	Incomplete integration factor	B	IV-2.5.8 IV-2.6.4
335	3351	4351	4351		0	Current detection offset compensation	B	IV-2.6.4

Internal data No. F-xxx	15i	16i	30i	bit	Standard initial setting data	Contents	Classification	Reference item
336H	3352	4352	4352	#1	0	Setting of the peak hold function for load meter output	B	IV-2.1.6
				#4	0	Setting of whether to enable/disable feed forward at all times	B	IV-5.8.8
				#6	0	Inter-spindle amplifier communication slave axis setting	B	IV-5.8.8
				#7	0	Inter-spindle amplifier communication master axis setting	B	IV-5.8.8
336L	3353	4353	4353	#5	0	Setting of the Cs axis position data transfer function	B	IV-2.4.8
338	3355	4355	4355		0	Motor sensor signal amplitude ratio compensation	A	IV-1.3.2 IV-4.3
339	3356	4356	4356		0	Motor sensor signal phase difference compensation	A	IV-1.3.2 IV-4.3
345	3362	4362	4362		0	Load meter compensation 1	C	IV-2.6.3
346	3363	4363	4363		0	Load meter compensation 2	C	IV-2.6.3
347	3364	4364	4364		0	Load meter compensation 3	C	IV-2.6.3
352	3369	4369	4369		0	Spindle synchronous orientation deceleration coefficient	B	IV-5.5.6
353	3370	4370	4370		0	Filter time constant for spindle acceleration detection	B	IV-2.2.12
354	3371	4371	4371		-1	Reserved		
355	4372	4372	4372		0	Spindle speed limit for safety 1	D	
366	3384	4384	4384		0	Spindle EGB: Maximum acceleration/deceleration value in automatic phase matching (16i)	B	IV-5.8.8
367	3385	4385	4385		0	Spindle EGB: time constant for free-running phase matching (16i)	B	IV-5.8.8
368	3386	4386	4386		0	Spindle EGB: master side detector pulse count	B	IV-5.8.8
369	3387	4387	4387		0	Spindle EGB: synchronous ratio numerator	B	IV-5.8.8
370	3388	4388	4388		0	Spindle EGB: synchronous ratio denominator	B	IV-5.8.8
373	3391	4391	4391		0	Resonance elimination filter 1: attenuation center frequency	B	IV-4.2.2
374	3392	4392	4392		0	Resonance elimination filter 1: attenuation bandwidth	B	IV-4.2.2
375	3393	4393	4393		0	Resonance elimination filter 1: damping	B	IV-4.2.2
376H	3394	4394	4394	#2	0	Setting of the detection lower limit of the one-rotation signal	A	IV-1.3.2
				#3	0	Setting of the fine acceleration/deceleration (FAD) function (16i)	B	IV-5.6.4
				#4	0	Acceleration/deceleration type of fine acceleration/deceleration (FAD) (16i)	B	IV-5.6.4
				#5	0	Whether to detect the alarm related to spindle sensor polarity erroneous setting	A	IV-1.3.2
376L	3395	4395	4395	#3	0	Setting of parameter transfer from the CNC to spindle software	B	IV-2.6.4
				#6	0	Triggering of the disturbance input function (vibration application function)	B	IV-4.2.3
				#7	0	Setting of the disturbance input function (vibration application function)	B	IV-4.2.3
378H	3398	4398	4398	#2	0	Selects a magnetic pole detection mode 1	C	IV-1.5.5
378L	3399	4399	4399	#2	0	Specifies whether to enable the soft start/stop function when emergency stop operation is performed	B	IV-2.1.6
				#5	0	Determines whether to detect pole position count miss alarm (Alarm 91)	D	IV-2.6.4
				#6	0	Selects a pole position detection mode	C	IV-1.5.5
383	3406	4406	4406		0	Acceleration/deceleration time constant for Cs contouring control/servo mode	B	IV-2.3.6 IV-2.4.8
385	3408	4408	4408		0	Fine acceleration/deceleration time constant (16i)	B	IV-5.6.4
386	3409	4409	4409		0	Feed forward timing adjustment coefficient	B	IV-5.6.4
387	3410	4410	4410		0	Disturbance input function: measurement start frequency	B	IV-4.2.3
388	3411	4411	4411		0	Disturbance input function: measurement end frequency	B	IV-4.2.3
389	3412	4412	4412		0	Disturbance input function: measurement frequency interval	B	IV-4.2.3
390	3413	4413	4413		0	Disturbance input function: number of measurements per frequency	B	IV-4.2.3
391	3414	4414	4414		0	Disturbance input function: disturbance torque command amplitude	B	IV-4.2.3

Internal data No. F-xxx	15i	16i	30i	bit	Standard initial setting data	Contents	Classification	Reference item
392	3415	4415	4415		0	Disturbance input function: motor speed command for measurement	B	IV-4.2.3
393	3416	4416	4416		0	Resonance elimination filter 2: attenuation center frequency	B	IV-4.2.2
394	3417	4417	4417		0	Resonance elimination filter 2: attenuation bandwidth	B	IV-4.2.2
395	3418	4418	4418		0	Resonance elimination filter 2: damping	B	IV-4.2.2
396	3419	4419	4419		0	Resonance elimination filter 3: attenuation center frequency	B	IV-4.2.2
397	3420	4420	4420		0	Resonance elimination filter 3: attenuation bandwidth	B	IV-4.2.2
398	3421	4421	4421		0	Resonance elimination filter 3: damping	B	IV-4.2.2
399	3422	4422	4422		0	Resonance elimination filter 4: attenuation center frequency	B	IV-4.2.2
400	3423	4423	4423		0	Resonance elimination filter 4: attenuation bandwidth	B	IV-4.2.2
401	3424	4424	4424		0	Resonance elimination filter 4: damping	B	IV-4.2.2
414	3437	4437	4437		-1	Reserved		
415	3438	4438	4438		0	Spindle speed limit for safety 2	D	
416	3439	4439	4439		-1	Reserved		
417	3440	4440	4440		0	Spindle speed limit for safety 3		
418	3441	4441	4441		-1	Reserved		
419	3442	4442	4442		0	Spindle speed limit for safety 4	D	
424	3447	4447	4447		-1	Reserved		
425	3448	4448	4448		0	Criterion level for spindle stop		
426	3449	4449	4449		0	Direction detection current/polarity determination current	C	IV-1.5.5
427	3450	4450	4450		0	Travel distance allowance magnification/velocity feedback threshold	C	IV-1.5.5
428	3451	4451	4451		0	Reserved		
440	3463	4463	4463		0	Unexpected rotation detection level (Alarm 90 detection level)	D	IV-2.6.4
441	3464	4464	4464		0	Velocity command-dependent over speed (spindle alarm 92) detection offset level	D	IV-2.6.4
442	3465	4465	4465		0	Excessive speed deviation level2	D	IV -2.6.4
443	3466	4466	4466		0	Excessive speed deviation detection time 2	D	IV -2.6.4
440	3463	4463	4463		0	Unexpected rotation detection level (Alarm 90 detection level)	D	IV-2.6.4
441	3464	4464	4464		0	Velocity command-dependent over speed detection offset level	D	IV-2.6.4
442	3465	4465	4465		0	Excessive speed deviation level 2	D	IV-2.6.4
443	3466	4466	4466		0	Excessive speed deviation detection time 2	D	IV-2.6.4
470	3498	4498	4498		0	Spindle EGB master side: denominator of arbitrary gear ratio between motor sensor and spindle	B	IV-5.8.8
471	3499	4499	4499		0	Spindle EGB master side: numerator of arbitrary gear ratio between motor sensor and spindle	B	IV-5.8.8
480	3508	4508	4508		0	Rate of change in acceleration at soft start/stop	B	IV-2.1.6
487	3515	4515	4515		0	Excessive speed deviation alarm detection level on spindle synchronous control	D	IV-2.5.8
488	3516	4516	4516		0	Excessive positional deviation alarm detection level on spindle synchronous control	D	IV-2.5.8
499	3527	4527	4527		0	Temperature difference between warning level and alarm level	D	IV-2.6.4
504	-	4532	4532		0	Arbitrary data output function number	B	IV-1.5.5

B

LIST OF SPINDLE PARAMETER NUMBERS

The following shows corresponding of the parameter numbers of parameters for speed range switch high-speed/low-speed characteristics on the main side/sub-side of spindle switching.

MH, ML, SH, and SL in the table represent the following:

MH: Parameter for speed range switch high-speed characteristics on the main side of spindle switching (for standard motors)

ML: Parameter for speed range switch low-speed characteristics on the main side of spindle switching

SH: Parameter for speed range switch high-speed characteristics on the sub-side of spindle switching

SL: Parameter for speed range switch low-speed characteristics on the sub-side of spindle switching

15i				16i				30i				Contents
MH	ML	SH	SL	MH	ML	SH	SL	MH	ML	SH	SL	
3000	←	3176	←	4000	←	4176	←	4000	←	4176	←	Bit parameter
3001	←	3177	←	4001	←	4177	←	4001	←	4177	←	Bit parameter
3002	←	3178	←	4002	←	4178	←	4002	←	4178	←	Bit parameter
3003	←	3179	←	4003	←	4179	←	4003	←	4179	←	Bit parameter
3004	←	3180	←	4004	←	4180	←	4004	←	4180	←	Bit parameter
3005	←	3181	←	4005	←	4181	←	4005	←	4181	←	Bit parameter
3006	←	3182	←	4006	←	4182	←	4006	←	4182	←	Bit parameter
3007	←	3183	←	4007	←	4183	←	4007	←	4183	←	Bit parameter
3008	←	3184	←	4008	←	4184	←	4008	←	4184	←	Bit parameter
3009	←	3185	←	4009	←	4185	←	4009	←	4185	←	Bit parameter
3010	←	3186	←	4010	←	4186	←	4010	←	4186	←	Bit parameter
3011	←	3187	←	4011	←	4187	←	4011	←	4187	←	Bit parameter
3012	←	3188	←	4012	←	4188	←	4012	←	4188	←	Bit parameter
3013	←	3189	←	4013	←	4189	←	4013	←	4189	←	Bit parameter
3014	←	←	←	4014	←	←	←	4014	←	←	←	Bit parameter
3015	←	←	←	4015	←	←	←	4015	←	←	←	Bit parameter
3016	←	3192	←	4016	←	4192	←	4016	←	4192	←	Bit parameter
3017	←	3193	←	4017	←	4193	←	4017	←	4193	←	Bit parameter
3018	←	3194	←	4018	←	4194	←	4018	←	4194	←	Bit parameter
3019	←	3195	←	4019	←	4195	←	4019	←	4195	←	Bit parameter
3020	←	3196	←	4020	←	4196	←	4020	←	4196	←	Maximum motor speed
3021	←	None	None	4021	←	None	None	4021	←	None	None	Maximum speed on Cs contouring control mode
3022	←	3197	←	4022	←	4197	←	4022	←	4197	←	Speed arrival detection level
3023	←	3198	←	4023	←	4198	←	4023	←	4198	←	Speed detection level
3024	←	3199	←	4024	←	4199	←	4024	←	4199	←	Zero speed detection level
3025	←	3200	←	4025	←	4200	←	4025	←	4200	←	Limited torque
3026	←	3201	←	4026	←	4201	←	4026	←	4201	←	Load detection level 1
3027	←	←	←	4027	←	←	←	4027	←	←	←	Load detection level 2
3028	←	3202	←	4028	←	4202	←	4028	←	4202	←	Limited output pattern
3029	←	3203	←	4029	←	4203	←	4029	←	4203	←	Output limit

15i				16i				30i				Contents
MH	ML	SH	SL	MH	ML	SH	SL	MH	ML	SH	SL	
3030	←	←	←	4030	←	←	←	4030	←	←	←	Soft start/stop time
3031	←	3204	←	4031	←	4204	←	4031	←	4204	←	Stop position of position coder method orientation
3032	←	None	None	4032	←	None	None	4032	←	None	None	Acceleration on spindle synchronous control
3033	←	None	None	4033	←	None	None	4033	←	None	None	Spindle synchronous speed arrival level
3034	←	None	None	4034	←	None	None	4034	←	None	None	Shift during synchronous control of spindle phase
3035	←	None	None	4035	←	None	None	4035	←	None	None	Compensation data for spindle phase synchronous control
3036	←	3240	←	4036	←	4240	←	4036	←	4240	←	Feed-forward coefficient
3037	3443	3241	3486	4037	4443	4241	4486	4037	4443	4241	4486	Feed-forward coefficient of velocity loop
3038	←	3205	←	4038	←	4205	←	4038	←	4205	←	Optimum orientation: Upper limit of orientation speed Conventional method/high-speed orientation: Spindle orientation speed
3039	3156	3254	3255	4039	4156	4254	4255	4039	4156	4254	4255	Slip compensation gain
3040	←	3206	←	4040	←	4206	←	4040	←	4206	←	Velocity loop proportional gain on velocity control mode (High)
3041	←	3207	←	4041	←	4207	←	4041	←	4207	←	Velocity loop proportional gain on velocity control mode (Low)
3042	←	3208	←	4042	←	4208	←	4042	←	4208	←	Velocity loop proportional gain on orientation (High)
3043	←	3209	←	4043	←	4209	←	4043	←	4209	←	Velocity loop proportional gain on orientation (Low)
3044	←	3210	←	4044	←	4210	←	4044	←	4210	←	Velocity loop proportional gain on servo mode (High)
3045	←	3211	←	4045	←	4211	←	4045	←	4211	←	Velocity loop proportional gain on servo mode (Low)
3046	←	None	None	4046	←	None	None	4046	←	None	None	Velocity loop proportional gain on Cs contouring control (High)
3047	←	None	None	4047	←	None	None	4047	←	None	None	Velocity loop proportional gain on Cs contouring control (Low)
3048	←	3212	←	4048	←	4212	←	4048	←	4212	←	Velocity loop integral gain on velocity control mode (High)
3049	←	↑	↑	4049	←	↑	↑	4049	←	↑	↑	Velocity loop integral gain on velocity control mode (Low)
3050	←	3213	←	4050	←	4213	←	4050	←	4213	←	Velocity loop integral gain on orientation (High)
3051	←	↑	↑	4051	←	↑	↑	4051	←	↑	↑	Velocity loop integral gain on orientation (Low)
3052	←	3214	←	4052	←	4214	←	4052	←	4214	←	Velocity loop integral gain on servo mode/spindle synchronous control (High)
3053	←	↑	↑	4053	←	↑	↑	4053	←	↑	↑	Velocity loop integral gain on servo mode/spindle synchronous control (Low)
3054	←	None	None	4054	←	None	None	4054	←	None	None	Velocity loop integral gain on Cs contouring control (High)
3055	←	None	None	4055	←	None	None	4055	←	None	None	Velocity loop integral gain on Cs contouring control (Low)
3056	←	3216	←	4056	←	4216	←	4056	←	4216	←	Gear ratio (High)
3057	←	↑	↑	4057	←	↑	↑	4057	←	↑	↑	Gear ratio (Medium High)
3058	←	↓	↓	4058	←	↓	↓	4058	←	↓	↓	Gear ratio (Medium Low)
3059	←	3217	←	4059	←	4217	←	4059	←	4217	←	Gear ratio (Low)
3060	←	3218	←	4060	←	4218	←	4060	←	4218	←	Position gain on orientation (High)
3061	←	↑	↑	4061	←	↑	↑	4061	←	↑	↑	Position gain on orientation (Medium High)
3062	←	↓	↓	4062	←	↓	↓	4062	←	↓	↓	Position gain on orientation (Medium Low)
3063	←	3219	←	4063	←	4219	←	4063	←	4219	←	Position gain on orientation (Low)
3064	←	3220	←	4064	←	4220	←	4064	←	4220	←	Conventional method orientation: Rate of change in position gain upon completion of orientation High-speed orientation: Percentage limit to an acceleration during deceleration Optimum orientation: Position feedforward coefficient
3065	←	3221	←	4065	←	4221	←	4065	←	4221	←	Position gain on servo mode/spindle synchronous control (High)

15i				16i				30i				Contents
MH	ML	SH	SL	MH	ML	SH	SL	MH	ML	SH	SL	
3066	←	↑	↑	4066	←	↑	↑	4066	←	↑	↑	Position gain on servo mode/spindle synchronous control (Medium High)
3067	←	↓	↓	4067	←	↓	↓	4067	←	↓	↓	Position gain on servo mode/spindle synchronous control (Medium Low)
3068	←	3222	←	4068	←	4222	←	4068	←	4222	←	Position gain on servo mode/spindle synchronous control (Low)
3069	←	None	None	4069	←	None	None	4069	←	None	None	Position gain on Cs contouring control (High)
3070	←	None	None	4070	←	None	None	4070	←	None	None	Position gain on Cs contouring control (Medium High)
3071	←	None	None	4071	←	None	None	4071	←	None	None	Position gain on Cs contouring control (Medium Low)
3072	←	None	None	4072	←	None	None	4072	←	None	None	Position gain on Cs contouring control (Low)
3073	←	3223	←	4073	←	4223	←	4073	←	4223	←	Grid shift on servo mode
3074	←	←	←	4074	←	←	←	4074	←	←	←	Reference position return speed on Cs contouring control/servo mode
3075	←	3226	←	4075	←	4226	←	4075	←	4226	←	Detection level for orientation completion signal
3076	←	3227	←	4076	←	4227	←	4076	←	4227	←	Conventional method orientation: Motor speed limit ratio for orientation High-speed orientation: Reserved Optimum orientation: Delay time for acceleration detection/bell-shaped acceleration/deceleration time constant
3077	←	3228	←	4077	←	4228	←	4077	←	4228	←	Orientation stop position shift
3078	←	3229	←	4078	←	4229	←	4078	←	4229	←	MS signal constant
3079	←	3230	←	4079	←	4230	←	4079	←	4230	←	MS signal gain adjustment
3080	3166	3231	3307	4080	4166	4231	4307	4080	4166	4231	4307	Regenerative power limit for high-speed zone/regenerative power limit
3081	←	3232	←	4081	←	4232	←	4081	←	4232	←	Delay time until motor power is cut off
3082	←	3233	←	4082	←	4233	←	4082	←	4233	←	Setting of acceleration/deceleration time
3083	3136	3236	3284	4083	4136	4236	4284	4083	4136	4236	4284	Motor voltage on velocity control mode
3084	←	3237	←	4084	←	4237	←	4084	←	4237	←	Motor voltage on orientation
3085	3137	3238	3285	4085	4137	4238	4285	4085	4137	4238	4285	Motor voltage on servo mode/spindle synchronous control mode
3086	←	None	None	4086	←	None	None	4086	←	None	None	Motor voltage on Cs contouring control
3087	←	←	←	4087	←	←	←	4087	←	←	←	Overspeed level
3088	←	←	←	4088	←	←	←	4088	←	←	←	Level for detecting excess velocity deviation when motor is restrained
3089	←	←	←	4089	←	←	←	4089	←	←	←	Level for detecting excess velocity deviation when motor rotates
3090	←	←	←	4090	←	←	←	4090	←	←	←	Overload detection level
3091	←	3239	←	4091	←	4239	←	4091	←	4239	←	Rate of change in position gain during reference position return on servo mode
3092	←	None	None	4092	←	None	None	4092	←	None	None	Rate of change in position gain during reference position return on Cs contouring control
3094	←	None	None	4094	←	None	None	4094	←	None	None	Disturbance torque compensation constant (acceleration feedback gain)
3095	←	←	←	4095	←	←	←	4095	←	←	←	Adjusted output voltage of speedometer
3096	←	←	←	4096	←	←	←	4096	←	←	←	Adjusted output voltage of load meter
3097	←	None	None	4097	←	None	None	4097	←	None	None	Feedback gain of spindle speed
3098	←	←	←	4098	←	←	←	4098	←	←	←	Maximum speed for position feedback signal detection
3099	←	←	←	4099	←	←	←	4099	←	←	←	Delay time for motor excitation
3100	3138	3256	3286	4100	4138	4256	4286	4100	4138	4256	4286	Base speed of motor output specifications
3101	3139	3257	3287	4101	4139	4257	4287	4101	4139	4257	4287	Output limit for motor output specifications
3102	3140	3258	3288	4102	4140	4258	4288	4102	4140	4258	4288	Excitation voltage saturation speed at no-load
3103	3141	3259	3289	4103	4141	4259	4289	4103	4141	4259	4289	Base speed limit ratio
3104	3142	3260	3290	4104	4142	4260	4290	4104	4142	4260	4290	Current loop proportional gain
3106	3143	3261	3291	4106	4143	4261	4291	4106	4143	4261	4291	Current loop integral gain

15i				16i				30i				Contents
MH	ML	SH	SL	MH	ML	SH	SL	MH	ML	SH	SL	
3108	3144	3262	3292	4108	4144	4262	4292	4108	4144	4262	4292	Velocity at which the current loop integral gain is zero
3109	3145	3263	3293	4109	4145	4263	4293	4109	4145	4263	4293	Filter time constant for processing saturation related to the voltage command
3110	3146	3264	3294	4110	4146	4264	4294	4110	4146	4264	4294	Current conversion constant
3111	3147	3265	3295	4111	4147	4265	4295	4111	4147	4265	4295	Secondary current coefficient
3112	3148	3266	3296	4112	4148	4266	4296	4112	4148	4266	4296	Criterion level for saturation related to the voltage command/PWM command clamp value
3113	3149	3267	3297	4113	4149	4267	4297	4113	4149	4267	4297	Slip constant
3114	3150	3268	3298	4114	4150	4268	4298	4114	4150	4268	4298	Slip compensation coefficient for a high-speed zone/slip compensation coefficient at deceleration
3115	3151	3269	3299	4115	4151	4269	4299	4115	4151	4269	4299	PWM command clamp value at deceleration
3116	3152	3270	3300	4116	4152	4270	4300	4116	4152	4270	4300	Motor leakage constant
3117	3153	3271	3301	4117	4153	4271	4301	4117	4153	4271	4301	Regular-time voltage compensation coefficient for high-speed zone/regular-time motor voltage coefficient
3118	3154	3272	3302	4118	4154	4272	4302	4118	4154	4272	4302	Acceleration-time voltage compensation coefficient for high-speed zone/acceleration-time motor voltage coefficient
3119	3165	3280	3308	4119	4165	4280	4308	4119	4165	4280	4308	Deceleration-time excitation current change time constant/excitation current change time constant
3120	←	←	←	4120	←	←	←	4120	←	←	←	Dead-band rectangular wave component zero voltage/dead-band data
3121	3157	3273	3303	4121	4157	4273	4303	4121	4157	4273	4303	Time constant for changing the torque (TCMD filter time constant)
3122	←	3278	←	4122	←	4278	←	4122	←	4278	←	Time constant for velocity detecting filter
3123	←	←	←	4123	←	←	←	4123	←	←	←	Short-time overload detection time
3127	3093	3274	3279	4127	4093	4274	4279	4127	4093	4274	4279	Value displayed on load meter at maximum output
3128	3158	3275	3304	4128	4158	4275	4304	4128	4158	4275	4304	Compensation coefficient between the specification and true base/maximum torque curve compensation coefficient
3129	3159	3276	3305	4129	4159	4276	4305	4129	4159	4276	4305	Secondary current coefficient for rigid tapping
3130	3161	3277	3306	4130	4161	4277	4306	4130	4161	4277	4306	Current loop proportional gain speed coefficient/current phase delay compensation coefficient
3131	←	None	None	4131	←	None	None	4131	←	None	None	Time constant for velocity detecting filter (on Cs contouring control)
3133	←	3309	←	4133	←	4309	←	4133	←	4309	←	Motor model code
3134	←	3310	←	4134	←	4310	←	4134	←	4310	←	Motor overheat detect level (2-word)
3135	←	None	None	4135	←	None	None	4135	←	None	None	Grid shift during Cs contouring control mode I (2-word)
3160	←	←	←	4160	←	←	←	4160	←	←	←	Hysteresis of speed detection level
3162	←	None	None	4162	←	None	None	4162	←	None	None	Integral gain of velocity loop during cutting feed on Cs contouring control mode (High)
3163	←	None	None	4163	←	None	None	4163	←	None	None	Integral gain of velocity loop during cutting feed on Cs contouring control mode (Low)
3169	←	3349	←	4169	←	4349	←	4169	←	4349	←	Temperature monitoring time constant
3170	3168	3350	3348	4170	4168	4350	4348	4170	4168	4350	4348	Current overload alarm detection level
3171	←	3243	←	4171	←	4243	←	4171	←	4243	←	Denominator of arbitrary gear ratio between motor sensor and spindle (High)
3172	←	3244	←	4172	←	4244	←	4172	←	4244	←	Numerator of arbitrary gear ratio between motor sensor and spindle (High)
3173	←	3245	←	4173	←	4245	←	4173	←	4245	←	Denominator of arbitrary gear ratio between motor sensor and spindle (Low)
3174	←	3246	←	4174	←	4246	←	4174	←	4246	←	Numerator of arbitrary gear ratio between motor sensor and spindle (Low)
3215	←	None	None	4215	←	None	None	4215	←	None	None	Primary delay time constant in dual position feedback [in Cs contour control]
3224	←	None	None	4224	←	None	None	4224	←	None	None	Maximum amplitude in dual position feedback [in Cs contour control]

15i				16i				30i				Contents
MH	ML	SH	SL	MH	ML	SH	SL	MH	ML	SH	SL	
3225	←	None	None	4225	←	None	None	4225	←	None	None	Dual position feedback zero width [in Cs contour control]
3248	3281	3282	3283	4248	4281	4282	4283	4248	4281	4282	4283	Spindle load monitor torque constant
3249	←	3234	←	4249	←	4234	←	4249	←	4234	←	Spindle load monitor observer gain 1
3250	←	3235	←	4250	←	4235	←	4250	←	4235	←	Spindle load monitor observer gain 2
3320	←	3322	←	4320	←	4322	←	4320	←	4322	←	Optimum orientation: Spindle acceleration command (High)
3321	←	3323	←	4321	←	4323	←	4321	←	4323	←	Optimum orientation: Spindle acceleration command (Low)
3324	←	3325	←	4324	←	4325	←	4324	←	4325	←	Optimum orientation: one-rotation signal detection speed
3320	←	3324	←	4320	←	4324	←	4320	←	4324	←	High-speed orientation: Motor acceleration at deceleration time (High)
3321	←	↑	↑	4321	←	↑	↑	4321	←	↑	↑	High-speed orientation: Motor acceleration at deceleration time (Medium High)
3322	←	↓	↓	4322	←	↓	↓	4322	←	↓	↓	High-speed orientation: Motor acceleration at deceleration time (Medium Low)
3323	←	3325	←	4323	←	4325	←	4323	←	4325	←	High-speed orientation: Motor acceleration at deceleration time (Low)
3326	←	3330	←	4326	←	4330	←	4326	←	4330	←	Optimum orientation: Time constant for overshoot compensation/Limit ratio for spindle acceleration command (High)
3327	←	3331	←	4327	←	4331	←	4327	←	4331	←	Optimum orientation: Time constant for overshoot compensation/Limit ratio for spindle acceleration command (Low)
3326	←	3327	←	4326	←	4327	←	4326	←	4327	←	High-speed orientation: Acceleration limitation start speed at deceleration time (High)
3328	←	3329	←	4328	←	4329	←	4328	←	4329	←	Command multiplication for spindle orientation by position coder
3330	←	3331	←	4330	←	4331	←	4330	←	4331	←	High-speed orientation: Acceleration limitation start speed at deceleration time (Low)
3334	←	3335	←	4334	←	4335	←	4334	←	4335	←	Number of motor sensor arbitrary teeth
3336	←	None	None	4336	←	None	None	4336	←	None	None	Switching point used for an acceleration/deceleration time constant used for spindle synchronous control
3340	←	None	None	4340	←	None	None	4340	←	None	None	Bell-shaped acceleration/deceleration time constant during spindle synchronous control
3341	←	←	←	4341	←	←	←	4341	←	←	←	Unexpected disturbance torque detection level
3342	←	None	None	4342	←	None	None	4342	←	None	None	Velocity loop gain override in Cs contouring control (High)
3343	←	None	None	4343	←	None	None	4343	←	None	None	Velocity loop gain override in Cs contouring control (Low)
3344	←	←	←	4344	←	←	←	4344	←	←	←	Advanced preview feed-forward coefficient
3345	←	←	←	4345	←	←	←	4345	←	←	←	Spindle motor speed command detection level
3346	←	←	←	4346	←	←	←	4346	←	←	←	Incomplete integration factor
3347	←	None	None	4347	←	None	None	4347	←	None	None	Master-slave speed difference state signal output setting
3351	←	←	←	4351	←	←	←	4351	←	←	←	Current detection offset compensation
3352	←	3373	←	4352	←	4373	←	4352	←	4373	←	Bit parameter
3353	←	3374	←	4353	←	4374	←	4353	←	4374	←	Bit parameter
3354	←	None	None	4354	←	None	None	4354	←	None	None	Excessive semi-closed loop/closed loop position error alarm detection level [in Cs contour control]
3355	←	None	None	4355	←	None	None	4355	←	None	None	Motor sensor signal amplitude ratio compensation
3356	←	None	None	4356	←	None	None	4356	←	None	None	Motor sensor signal phase difference compensation
3357	←	None	None	4357	←	None	None	4357	←	None	None	Spindle sensor signal amplitude ratio compensation
3358	←	None	None	4358	←	None	None	4358	←	None	None	Spindle sensor signal phase difference compensation

15i				16i				30i				Contents
MH	ML	SH	SL	MH	ML	SH	SL	MH	ML	SH	SL	
3360	←	None	None	4360	←	None	None	4360	←	None	None	Preload value
3361	←	None	None	4361	←	None	None	4361	←	None	None	Number of spindle sensor arbitrary teeth
3362	3365	3376	3379	4362	4365	4376	4379	4362	4365	4376	4379	Load meter compensation 1
3363	3366	3377	3380	4363	4366	4377	4380	4363	4366	4377	4380	Load meter compensation 2
3364	3367	3378	3381	4364	4367	4378	4381	4364	4367	4378	4381	Load meter compensation 3
3369	←	None	None	4369	←	None	None	4369	←	None	None	Spindle synchronous orientation deceleration coefficient
3370	←	3383	←	4370	←	4383	←	4370	←	4383	←	Filter time constant for spindle acceleration detection
3372	←	None	None	4372	←	None	None	4372	←	None	None	Spindle speed limit for safety 1
3384	←	None	None	4384	←	None	None	4384	←	None	None	Spindle EGB : Maximum acceleration/deceleration value in automatic phase matching
3385	←	None	None	4385	←	None	None	4385	←	None	None	Spindle EGB : time constant for free-running phase matching
3386	←	None	None	4386	←	None	None	4386	←	None	None	Spindle EGB : master side detector pulse count
3387	←	None	None	4387	←	None	None	4387	←	None	None	Spindle EGB : synchronous ratio numerator
3388	←	None	None	4388	←	None	None	4388	←	None	None	Spindle EGB : synchronous ratio denominator
3391	←	None	None	4391	←	None	None	4391	←	None	None	Resonance elimination filter 1 : attenuation center frequency
3392	←	None	None	4392	←	None	None	4392	←	None	None	Resonance elimination filter 1 : attenuation bandwidth
3393	←	None	None	4393	←	None	None	4393	←	None	None	Resonance elimination filter 1 : damping
3394	←	3467	←	4394	←	4467	←	4394	←	4467	←	Bit parameter
3395	←	3468	←	4395	←	4468	←	4395	←	4468	←	Bit parameter
3396	←	3469	←	4396	←	4469	←	4396	←	4469	←	Bit parameter
3397	←	3470	←	4397	←	4470	←	4397	←	4470	←	Bit parameter
3398	←	3471	←	4398	←	4471	←	4398	←	4471	←	Bit parameter
3399	←	3472	←	4399	←	4472	←	4399	←	4472	←	Bit parameter
3438	←	None	None	4438	←	None	None	4438	←	None	None	Spindle speed limit for safety 2
3440	←	None	None	4440	←	None	None	4440	←	None	None	Spindle speed limit for safety 3
3442	←	None	None	4442	←	None	None	4442	←	None	None	Spindle speed limit for safety 4
3448	←	None	None	4448	←	None	None	4448	←	None	None	Criterion level for spindle stop
3464	←	←	←	4464	←	←	←	4464	←	←	←	Velocity command-dependent over speed detection offset level
3465	←	←	←	4465	←	←	←	4465	←	←	←	Excessive speed deviation level 2
3466	←	←	←	4466	←	←	←	4466	←	←	←	Excessive speed deviation detection time 2
3399	←	3472	←	4399	←	4472	←	4399	←	4472	←	Bit parameter
3400	←	3473	←	4400	←	4473	←	4400	←	4473	←	Bit parameter
3401	←	3474	←	4401	←	4474	←	4401	←	4474	←	Bit parameter
3402	←	3475	←	4402	←	4475	←	4402	←	4475	←	Bit parameter
3403	←	3476	←	4403	←	4476	←	4403	←	4476	←	Bit parameter
3406	←	None	None	4406	←	None	None	4406	←	None	None	Acceleration/deceleration time constant for Cs contouring control/servo mode
3408	←	←	←	4408	←	←	←	4408	←	←	←	Fine acceleration/deceleration time constant
3409	←	3481	←	4409	←	4481	←	4409	←	4481	←	Feed-forward timing adjustment coefficient
3410	←	←	←	4410	←	←	←	4410	←	←	←	Disturbance input function : measurement start frequency
3411	←	←	←	4411	←	←	←	4411	←	←	←	Disturbance input function : measurement end frequency
3412	←	←	←	4412	←	←	←	4412	←	←	←	Disturbance input function : measurement frequency interval
3413	←	←	←	4413	←	←	←	4413	←	←	←	Disturbance input function : number of measurements per frequency
3414	←	←	←	4414	←	←	←	4414	←	←	←	Disturbance input function : disturbance torque command amplitude
3415	←	←	←	4415	←	←	←	4415	←	←	←	Disturbance input function : motor speed command for measurement
3416	←	None	None	4416	←	None	None	4416	←	None	None	Resonance elimination filter 2 : attenuation center frequency

15i				16i				30i				Contents
MH	ML	SH	SL	MH	ML	SH	SL	MH	ML	SH	SL	
3417	←	None	None	4417	←	None	None	4417	←	None	None	Resonance elimination filter 2 : attenuation bandwidth
3418	←	None	None	4418	←	None	None	4418	←	None	None	Resonance elimination filter 2 : damping
3419	←	None	None	4419	←	None	None	4419	←	None	None	Resonance elimination filter 3 : attenuation center frequency
3420	←	None	None	4420	←	None	None	4420	←	None	None	Resonance elimination filter 3 : attenuation bandwidth
3421	←	None	None	4421	←	None	None	4421	←	None	None	Resonance elimination filter 3 : damping
3422	←	None	None	4422	←	None	None	4422	←	None	None	Resonance elimination filter 4 : attenuation center frequency
3423	←	None	None	4423	←	None	None	4423	←	None	None	Resonance elimination filter 4 : attenuation bandwidth
3424	←	None	None	4424	←	None	None	4424	←	None	None	Resonance elimination filter 4 : damping
3498	←	None	None	4498	←	None	None	4498	←	None	None	Spindle EGB master side : denominator of arbitrary gear ratio between motor sensor and spindle
3499	←	None	None	4499	←	None	None	4499	←	None	None	Spindle EGB master side : numerator of arbitrary gear ratio between motor sensor and spindle
3500	←	None	None	4500	←	None	None	4500	←	None	None	Denominator of arbitrary gear ratio between spindle sensor and spindle (High)
3501	←	None	None	4501	←	None	None	4501	←	None	None	Numerator of arbitrary gear ratio between spindle sensor and spindle (High)
3502	←	None	None	4502	←	None	None	4502	←	None	None	Denominator of arbitrary gear ratio between spindle sensor and spindle (Low)
3503	←	None	None	4503	←	None	None	4503	←	None	None	Numerator of arbitrary gear ratio between spindle sensor and spindle (Low)
3508	←	←	←	4508	←	←	←	4508	←	←	←	Rate of change in acceleration at soft start/stop
3520	←	None	None	4520	←	None	None	4520	←	None	None	Primary delay time constant in dual position feedback [in servo mode]
3521	←	None	None	4521	←	None	None	4521	←	None	None	Maximum amplitude in dual position feedback [in servo mode]
3522	←	None	None	4522	←	None	None	4522	←	None	None	Dual position feedback zero width [in servo mode]
3523	←	None	None	4523	←	None	None	4523	←	None	None	Excessive semi-closed loop/closed loop position error alarm detection level [in servo mode]
3523	←	←	←	4527	←	←	←	4527	←	←	←	Temperature difference between warning level and alarm level

C

PARAMETER TABLE FOR EACH MOTOR MODEL

C.1 SPINDLE MOTOR *ai*I series

Motor model			<i>ai</i> 1 0.5/10000	<i>ai</i> 1 1/10000	<i>ai</i> 1 1.5/10000	<i>ai</i> 1 2/10000	<i>ai</i> 1 3/10000	<i>ai</i> 1 6/10000	<i>ai</i> 1 8/8000	<i>ai</i> 1 12/7000
Applicable amplifier			<i>ai</i> SP2.2	<i>ai</i> SP2.2	<i>ai</i> SP5.5	<i>ai</i> SP5.5	<i>ai</i> SP5.5	<i>ai</i> SP11	<i>ai</i> SP11	<i>ai</i> SP15
Model code			301	302	304	306	308	310	312	314
Applicable software series and edition			9D50/F	9D50/D	9D50/D	9D50/D	9D50/D	9D50/F	9D50/D	9D50/D
Low-speed winding characteristics			—	—	—	—	—	—	—	—
High-speed winding characteristics			0.55/1.1kW 3000/10000min ⁻¹	1.5/2.2kW 3000/10000min ⁻¹	1.1/3.7kW 1500/10000min ⁻¹	2.2/3.7kW 1500/10000min ⁻¹	3.7/5.5kW 1500/10000min ⁻¹	5.5/7.5kW 1500/10000min ⁻¹	7.5/11kW 1500/8000min ⁻¹	11/15kW 1500/7000min ⁻¹
FS15i	FS16i	FS30i								
3007	4007	4007	00000000	00000000	00000000	00000000	00000000	00000000	00000000	00000000
3008	4008	4008	00000000	00000000	00000000	00000000	00000000	00000000	00000000	00000000
3009	4009	4009	00000000	00000000	00000000	00000000	00000000	00000000	00000000	00000000
3010	4010	4010	00000000	00000000	00000000	00000000	00000000	00000000	00000000	00000000
3011	4011	4011	00011000	00011001	00011001	00011001	00011001	00011010	00011010	00011010
3012	4012	4012	10000010	10000010	10000010	10000010	10000010	10000010	10000010	10000010
3013	4013	4013	00001100	00001100	00001100	00001100	00001100	00001100	00001100	00001100
3019	4019	4019	00000100	00000100	00000100	00000100	00000100	00000100	00000100	00000100
3020	4020	4020	10000	10000	10000	10000	10000	10000	8000	7000
3023	4023	4023								
3039	4039	4039	0	0	0	0	0	0	0	0
3040	4040	4040								
3041	4041	4041								
3048	4048	4048								
3049	4049	4049								
3080	4080	4080	90	83 80(*1)	85 65(*1)	77 70(*1)	60 65(*1)	66	75	70
3083	4083	4083	30	30	30	30	30	30	30	30
3093	4093	4093	0	0	0	0	0	0	0	0
3100	4100	4100	3400	3100	1650	1550	1600	1550	1600	1500
3101	4101	4101	100	100	100	100	100	96	100	100
3102	4102	4102	6500	3557	2767	2567	1967	2630	1656	1500
3103	4103	4103	46 0(*1)	87 0(*1)	60 60	68 0(*1)	75 0(*1)	60	0	0
3104	4104	4104	3000	6000	6000	6000	7000	6000	8000	7000
3105	4105	4105	0	0	0	0	0	0	0	0
3106	4106	4106	7500	6000	6000	6000	7000	6000	8000	7000
3107	4107	4107	0	0	0	0	0	0	0	0
3108	4108	4108	0	0	0	0	0	0	0	0
3109	4109	4109	25	25	25	25	25	25	25	25
3110	4110	4110	1571	690	563	474	475	754	503	595
3111	4111	4111	260	102	217	175	200	260	170	173
3112	4112	4112	200	200	200	200	19400	200	200	200
3113	4113	4113	2077	2100	1635	1192	1077	620	790	311
3114	4114	4114	23040	17920	0	0	0	20480	19200	23040
3115	4115	4115	100	100	100	100	100	100	100	100
3116	4116	4116	13760	10018	9598	9300	7950	8803	8118	5000
3117	4117	4117	90	90	90	90	28250	90	90	90
3118	4118	4118	100	100	100	100	110	100	100	100
3119	4119	4119	5	5	5	8	5	15	12	31
3120	4120	4120	0	0	0	0	0	0	0	0
3124	4124	4124	0	0	0	0	0	0	0	0
3127	4127	4127	240	176	404	202	178	164	176	164
3128	4128	4128	120	0	115	90	0	109	117	0
3129	4129	4129	0	0	0	0	0	0	0	0
3130	4130	4130	25700	25700	25700	25700	25700	25700	25700	25700
3134	4134	4134	110	110	110	110	110	130	130	130
3136	4136	4136	0	0	0	0	0	0	0	0
3138	4138	4138	0	0	0	0	0	0	0	0
3139	4139	4139	0	0	0	0	0	0	0	0
3140	4140	4140	0	0	0	0	0	0	0	0
3141	4141	4141	0	0	0	0	0	0	0	0
3142	4142	4142	0	0	0	0	0	0	0	0
3143	4143	4143	0	0	0	0	0	0	0	0
3144	4144	4144	0	0	0	0	0	0	0	0
3145	4145	4145	0	0	0	0	0	0	0	0
3146	4146	4146	0	0	0	0	0	0	0	0
3147	4147	4147	0	0	0	0	0	0	0	0
3148	4148	4148	0	0	0	0	0	0	0	0
3149	4149	4149	0	0	0	0	0	0	0	0
3150	4150	4150	0	0	0	0	0	0	0	0
3151	4151	4151	0	0	0	0	0	0	0	0
3152	4152	4152	0	0	0	0	0	0	0	0
3153	4153	4153	0	0	0	0	0	0	0	0
3154	4154	4154	0	0	0	0	0	0	0	0
3155	4155	4155	0	0	0	0	0	0	0	0
3156	4156	4156	0	0	0	0	0	0	0	0
3158	4158	4158	0	0	0	0	0	0	0	0
3159	4159	4159	0	0	0	0	0	0	0	0
3161	4161	4161	0	0	0	0	0	0	0	0
3165	4165	4165	0	0	0	0	0	0	0	0
3166	4166	4166	0	0	0	0	0	0	0	0
3169	4169	4169	0	0	0	0	0	0	0	0
Maximum output during acceleration (for PS selection)			1.32kW 2.60kW(*1)	2.64kW 2.87kW(*1)	4.44kW 6.7kW(*1)	4.44kW 6.4kW(*1)	6.6kW 7.9kW(*1)	9.0kW	13.2kW	18.0kW
Motor model (old name)			α 0.5/10000i	α 1/10000i	α 1.5/10000i	α 2/10000i	α 3/10000i	α 6/10000i	α 8/8000i	α 12/7000i
Applicable amplifier (old name)			SPM-2.2i	SPM-2.2i	SPM-5.5i	SPM-5.5i	SPM-5.5i	SPM-11i	SPM-11i	SPM-15i

(*1) This setting makes the maximum output during acceleration greater and the acceleration time reduced.

Motor model	ai115/7000			ai118/7000			ai122/7000			ai130/6000			ai140/6000			ai150/4500			ai11/15000			ai1.5/15000		
Applicable amplifier	ai SP22			ai SP22			ai SP26			ai SP45			ai SP45			ai SP55			ai SP5.5			ai SP15		
Model code	316			318			320			322			323			324			-			305		
Applicable software series and edition	9D50/D			9D50/F			9D50/D			9D50/E			9D50/E			9D50/F			-			9D50/I		
Low-speed winding characteristics	-			-			-			-			-			-			-			-		
High-speed winding characteristics	15/18.5kW 1500/7000min ⁻¹			18.5/22kW 1500/7000min ⁻¹			22/26kW 1500/7000min ⁻¹			30/37kW 1150/6000min ⁻¹			37/45kW 1500/6000min ⁻¹			45/55kW 1150/4500min ⁻¹			1.5/2.2kW 3000/15000min ⁻¹			1.5/2.2kW 3000/15000min ⁻¹		
FS15i	FS16i	FS30i																						
3007	4007	4007	00000000	00000000	00000000	00000000	00000000	00000000	00000000	00000000	00000000	00000000	00000000	00000000	00000000	00000000	00000000	00000000	00000000	00000000	00000000	00000000		
3008	4008	4008	00000000	00000000	00000000	00000000	00000000	00000000	00000000	00000000	00000000	00000000	00000000	00000000	00000000	00000000	00000000	00000000	00000000	00000000	00000000	00000000		
3009	4009	4009	00000000	00000000	00000000	00000000	00000000	00000000	00000000	00000000	00000000	00000000	00000000	00000000	00000000	00000000	00000000	00000000	00000000	00000000	00000000	00000000		
3010	4010	4010	00000000	00000000	00000000	00000000	00000000	00000000	00000000	00000000	00000000	00000000	00000000	00000000	00000000	00000000	00000000	00000000	00000000	00000000	00000000	00000000		
3011	4011	4011	00011010	00011010	00011010	00011010	00011010	00011010	00011010	00011010	00011010	00011010	00011010	00011010	00011010	00011010	00011010	00011010	00011010	00011010	00011010	00011010	00011010	
3012	4012	4012	10000010	10000010	10000010	10000010	10000010	10000010	10000010	10000010	10000010	10000010	10000010	10000010	10000010	10000010	10000010	10000010	10000010	10000010	10000010	10000010		
3013	4013	4013	01010000	01010000	01010000	01010000	01010000	01010000	01010000	01010000	01010000	01010000	01010000	01010000	01010000	01010000	01010000	01010000	01010000	01010000	01010000	01010000		
3019	4019	4019	00000100	00000100	00000100	00000100	00000100	00000100	00000100	00000100	00000100	00000100	00000100	00000100	00000100	00000100	00000100	00000100	00000100	00000100	00000100	00000100		
3020	4020	4020	7000	7000	7000	7000	6000	6000	6000	6000	6000	6000	6000	6000	6000	6000	6000	6000	6000	6000	6000	6000		
3023	4023	4023																						
3039	4039	4039	0	0	0	0	0	0	0	0	0	0	0	0	0	0	0	0	0	0	0	0		
3040	4040	4040																						
3041	4041	4041																						
3048	4048	4048																						
3049	4049	4049																						
3080	4080	4080	20555	11615	80	77	80	80	80	80	80	80	80	80	80	80	80	80	80	80	80	80		
3083	4083	4083	30	30	30	30	30	30	30	30	30	30	30	30	30	30	30	30	30	30	30	30		
3093	4093	4093	0	0	0	0	0	0	0	0	0	0	0	0	0	0	0	0	0	0	0	0		
3100	4100	4100	1500	1520	1500	1387	1740	1200	3100	3250														
3101	4101	4101	95	100	95	100	100	85	93	33														
3102	4102	4102	1710	1813	1756	1387	1740	1201	8015	7145														
3103	4103	4103	0	84	0	0	0	89	70	75														
3104	4104	4104	5500	3000	4500	6000	3000	3000	2000	2300														
3105	4105	4105	0	0	0	0	0	0	0	0														
3106	4106	4106	5500	10000	4500	6000	3000	4500	7000	8700														
3107	4107	4107	0	0	0	0	0	0	0	0														
3108	4108	4108	0	0	0	0	0	0	0	0														
3109	4109	4109	25	25	25	25	25	25	25	25														
3110	4110	4110	794	943	924	1145	970	1260	343	629														
3111	4111	4111	243	333	252	286	286	320	102	180														
3112	4112	4112	200	200	200	200	200	200	200	200														
3113	4113	4113	304	308	290	189	190	170	1870	2227														
3114	4114	4114	23040	0	0	20480	23040	23040	0	0														
3115	4115	4115	100	100	100	100	100	100	100	90														
3116	4116	4116	5177	3600	5564	6071	6128	5800	9669	10289														
3117	4117	4117	90	90	29530	90	90	90	90	90														
3118	4118	4118	100	100	110	100	100	100	100	100														
3119	4119	4119	31	31	29	51	48	56	5	5														
3120	4120	4120	0	0	0	0	0	0	0	0														
3124	4124	4124	0	0	0	0	0	0	0	0														
3127	4127	4127	148	143	142	148	146	146	176	176														
3128	4128	4128	105	0	105	0	0	114	80	73														
3129	4129	4129	0	0	0	0	0	0	0	0														
3130	4130	4130	25700	25700	25700	25700	25700	25700	25700	25700														
3134	4134	4134	130	130	130	130	130	130	110	110														
3136	4136	4136	0	0	0	0	0	0	0	0														
3138	4138	4138	0	0	0	0	0	0	0	0														
3139	4139	4139	0	0	0	0	0	0	0	0														
3140	4140	4140	0	0	0	0	0	0	0	0														
3141	4141	4141	0	0	0	0	0	0	0	0														
3142	4142	4142	0	0	0	0	0	0	0	0														
3143	4143	4143	0	0	0	0	0	0	0	0														
3144	4144	4144	0	0	0	0	0	0	0	0														
3145	4145	4145	0	0	0	0	0	0	0	0														
3146	4146	4146	0	0	0	0	0	0	0	0														
3147	4147	4147	0	0	0	0	0	0	0	0														
3148	4148	4148	0	0	0	0	0	0	0	0														
3149	4149	4149	0	0	0	0	0	0	0	0														
3150	4150	4150	0	0	0	0	0	0	0	0														
3151	4151	4151	0	0	0	0	0	0	0	0														
3152	4152	4152	0	0	0	0	0	0	0	0														
3153	4153	4153	0	0	0	0	0	0	0	0														
3154	4154	4154	0	0	0	0	0	0	0	0														
3155	4155	4155	0	0	0	0	0	0	0	0														
3156	4156	4156	0	0	0	0	0	0	0	0														
3158	4158	4158	0	0	0	0	0	0	0	0														
3159	4159	4159	0	0	0	0	0	0	0	0														
3161	4161	4161	0	0	0	0	0	0	0	0														
3165	4165	4165	0	0	0	0	0	0	0	0														
3166	4166	4166	0	0	0	0	0	0	0	0														
3169	4169	4169	0	0	0	0	0	0	0	0														
Maximum output during acceleration (for PS selection)	22.2kW			26.4kW			31.2kW			44.4kW			54.0kW			66.0kW			5.6kW 7.0kW(*1)			13.0kW		
Motor model (old name)	α15/7000i			α18/7000i			α22/7000i			α30/6000i			α40/6000i			α50/4500i			α1/15000i			α1.5/15000i		

Motor model	ai 1 1.5/2000	ai 1 2/15000	ai 1 2/20000	ai 1 3/12000	ai 1 6/12000	ai 1 6/12000(*4)	ai 1 8/10000	ai 1 8/10000(*4)	
Applicable amplifier	ai SP15	ai SP22	ai SP22	ai SP11	ai SP11	ai SP11	ai SP11	ai SP11	
Model code	—	307	—	309	401	—	402	—	
Applicable software series and edition	—	9D50/D	—	9D50/F	9D50/D	—	9D50/F	—	
Low-speed winding characteristics	—	—	—	—	5.5/7.5kW 1500/12000min ⁻¹	5.5/7.5kW 1500/12000min ⁻¹	7.5/11kW 1500/10000min ⁻¹	7.5/11kW 1500/10000min ⁻¹	
High-speed winding characteristics	1.5/2.2kW 3000/20000min ⁻¹	2.2/3.7kW 3000/15000min ⁻¹	2.2/3.7kW 3000/20000min ⁻¹	3.7/5.5kW 1500/12000min ⁻¹	5.5/7.5kW 4000/12000min ⁻¹	—	7.5/11kW 4000/10000min ⁻¹	—	
FS15i	FS16i	FS30i							
3007	4007	4007	00000000	00000000	00000000	00000000	00000000	00000000	
3008	4008	4008	00000000	00000000	00000000	00000000	00000000	00000000	
3009	4009	4009	00000000	00000000	00000000	00000000	00000000	00000000	
3010	4010	4010	00000001	00000000	00000001	00000000	00000000	00000000	
3011	4011	4011	00011001	00011001	00011001	00011010	00011010	00011010	
3012	4012	4012	10000010	10000010	10000010	10000010	10000010	10000010	
3013	4013	4013	00001100	01010000	01010000	00001100	00001100	00001100	
3019	4019	4019	00000100	00000100	00000100	00000100	00000100	00000100	
3020	4020	4020	20000	15000	20000	12000	12000	10000	
3023	4023	4023				333(*2)	400(*2)		
3039	4039	4039	0	0	0	0	0	0	
3040	4040	4040					6(*3)	6(*3)	
3041	4041	4041				6(*3)		6(*3)	
3048	4048	4048					6(*3)	6(*3)	
3049	4049	4049				6(*3)		6(*3)	
3080	4080	4080	14165	12122	19290	16720	82 78(*1)	66 12880 14168	
3083	4083	4083	10	10	10	30	30	30	
3093	4093	4093	0	0	0	164	0	176	
3100	4100	4100	3250	3200	3200	1500	4000	1550	
3101	4101	4101	33	45	45	87	81	96	
3102	4102	4102	7145	6432	6432	3015	4561	2630	
3103	4103	4103	75	92	92	82	69 0(*1)	60	
3104	4104	4104	2300	3000	3000	3200	4000	6000	
3105	4105	4105	0	0	0	0	0	0	
3106	4106	4106	8700	3000	3000	7500	4000	6000	
3107	4107	4107	0	0	0	0	0	0	
3108	4108	4108	0	0	0	0	0	0	
3109	4109	4109	25	25	25	25	25	25	
3110	4110	4110	629	588	588	559	431	754	
3111	4111	4111	180	175	175	190	125	260	
3112	4112	4112	200	200	200	200	200	200	
3113	4113	4113	2227	1800	1800	900	650	620	
3114	4114	4114	0	0	0	19200	20480	20480	
3115	4115	4115	90	100	80	100	100	100	
3116	4116	4116	10289	16564	16564	7376	8986	8803	
3117	4117	4117	90	90	90	90	90	100	
3118	4118	4118	100	100	100	100	100	100	
3119	4119	4119	5	2	2	9	15	15	
3120	4120	4120	0	0	0	0	0	0	
3124	4124	4124	0	0	0	0	0	0	
3127	4127	4127	176	202	202	178	164	164	
3128	4128	4128	73	85	85	0	95	109	
3129	4129	4129	0	0	0	0	0	0	
3130	4130	4130	25700	25700	25700	25700	25700	25700	
3134	4134	4134	110	110	110	110	130	130	
3136	4136	4136	0	0	0	0	30	30	
3138	4138	4138	0	0	0	0	1550	0	
3139	4139	4139	0	0	0	0	96	100	
3140	4140	4140	0	0	0	0	2630	0	
3141	4141	4141	0	0	0	0	60	0	
3142	4142	4142	0	0	0	0	6000	0	
3143	4143	4143	0	0	0	0	6000	18000	
3144	4144	4144	0	0	0	0	0	0	
3145	4145	4145	0	0	0	0	25	25	
3146	4146	4146	0	0	0	0	754	503	
3147	4147	4147	0	0	0	0	260	170	
3148	4148	4148	0	0	0	0	200	200	
3149	4149	4149	0	0	0	0	620	790	
3150	4150	4150	0	0	0	0	20480	19200	
3151	4151	4151	0	0	0	0	100	100	
3152	4152	4152	0	0	0	0	8803	8118	
3153	4153	4153	0	0	0	0	90	90	
3154	4154	4154	0	0	0	0	100	100	
3155	4155	4155	0	0	0	0	0	0	
3156	4156	4156	0	0	0	0	0	0	
3158	4158	4158	0	0	0	0	109	117	
3159	4159	4159	0	0	0	0	0	0	
3161	4161	4161	0	0	0	0	25700	25700	
3165	4165	4165	0	0	0	0	15	12	
3166	4166	4166	0	0	0	0	66	14168	
3169	4169	4169	0	0	0	0	0	0	
Maximum output during acceleration (for PS selection)	13kW	20.0kW	20kW	13.0kW	9.0kW	14.0kW(*1)	9.0kW	13.2kW	13.2kW
Motor model (old name)	—	α2/15000i	—	α3/12000i	α6/12000i	α6/12000i	α8/10000i	α8/10000i	
Applicable amplifier (old name)	—	SPM-22i	—	SPM-11i	SPM-11i	SPM-11i	SPM-11i	SPM-11i	

- (*1) This setting makes the maximum output during acceleration greater and the acceleration time reduced.
- (*2) When using the SDT signal, manually change the parameters that were automatically set.
- (*3) Set this value as the initial value of the velocity loop gain for low-speed characteristics of speed range switching.
- (*4) This setting is used when only a low-speed winding is connected without the output range being switched in the output range switching motor.

Motor model	ai I 18/12000		ai I 12/10000		ai I 12/10000(*4)		ai I 15/10000		ai I 15/10000(*4)		ai I 18/10000		ai I 18/10000(*4)	
Applicable amplifier	ai SP15		ai SP15		ai SP15		ai SP22		ai SP22		ai SP22		ai SP22	
Model code	—		403		—		404		—		405		—	
Applicable software series and edition	—		9D50/F		—		9D50/F		—		9D50/F		—	
Low-speed winding characteristics	7.5/11kW		11/15kW		11/15kW		15/18.5kW		15/18.5kW		18.5/22kW		18.5/22kW	
	1500/12000min ⁻¹		1500/10000min ⁻¹		1500/10000min ⁻¹		1500/10000min ⁻¹		1500/10000min ⁻¹		1500/10000min ⁻¹		1500/10000min ⁻¹	
High-speed winding characteristics	7.5/11kW		11/15kW		—		15/18.5kW		—		18.5/22kW		—	
	4000/12000min ⁻¹		4000/10000min ⁻¹		—		4000/10000min ⁻¹		—		4000/10000min ⁻¹		—	
FS15i	FS16i	FS30i												
3007	4007	4007	00000000	00000000	00000000	00000000	00000000	00000000	00000000	00000000	00000000	00000000	00000000	00000000
3008	4008	4008	00000000	00000000	00000000	00000000	00000000	00000000	00000000	00000000	00000000	00000000	00000000	00000000
3009	4009	4009	00000000	00000000	00000000	00000000	00000000	00000000	00000000	00000000	00000000	00000000	00000000	00000000
3010	4010	4010	00000001	00000000	00000000	00000000	00000000	00000000	00000000	00000000	00000000	00000000	00000000	00000000
3011	4011	4011	00011010	00011010	00011010	00011010	00011010	00011010	00011010	00011010	00011010	00011010	00011010	00011010
3012	4012	4012	10000010	10000010	10000010	10000010	10000010	10000010	10000010	10000010	10000010	10000010	10000010	10000010
3013	4013	4013	00001100	00001100	00001100	00001100	01010000	01010000	01010000	01010000	01010000	01010000	01010000	01010000
3019	4019	4019	00000100	00000100	00000100	00000100	00000100	00000100	00000100	00000100	00000100	00000100	00000100	00000100
3020	4020	4020	12000	10000	10000	10000	10000	10000	10000	10000	10000	10000	10000	10000
3023	4023	4023	333(*2)	400(*2)	—	—	400(*2)	—	—	—	400(*2)	—	—	—
3039	4039	4039	0	0	0	0	0	0	0	0	0	0	0	0
3040	4040	4040	—	—	—	—	—	—	—	—	—	—	—	—
3041	4041	4041	6(*3)	—	—	—	—	—	—	—	—	—	—	—
3048	4048	4048	—	—	—	—	—	—	—	—	—	—	—	—
3049	4049	4049	6(*3)	—	—	—	—	—	—	—	—	—	—	—
3080	4080	4080	70	75	70	80	20555	80	11615	—	—	—	—	—
3083	4083	4083	30	30	30	30	30	30	30	30	30	30	30	30
3093	4093	4093	176	164	0	148	0	143	0	143	0	143	0	143
3100	4100	4100	3580	3900	1500	4000	1500	4100	1520	—	—	—	—	—
3101	4101	4101	100	80	100	62	95	100	100	—	—	—	—	—
3102	4102	4102	3580	3593	1500	3482	1710	4582	1813	—	—	—	—	—
3103	4103	4103	0	90	0	75	70	89	84	—	—	—	—	—
3104	4104	4104	2300	1800	7000	1700	5500	1300	3000	—	—	—	—	—
3105	4105	4105	0	0	0	0	0	0	0	—	—	—	—	—
3106	4106	4106	2300	6500	7000	5500	5500	5000	10000	—	—	—	—	—
3107	4107	4107	0	0	0	0	0	0	0	—	—	—	—	—
3108	4108	4108	0	0	0	0	0	0	0	—	—	—	—	—
3109	4109	4109	25	25	25	25	25	25	25	—	—	—	—	—
3110	4110	4110	421	595	595	575	794	754	943	—	—	—	—	—
3111	4111	4111	100	173	173	193	243	260	333	—	—	—	—	—
3112	4112	4112	200	200	200	200	200	200	200	—	—	—	—	—
3113	4113	4113	980	280	311	275	304	319	308	—	—	—	—	—
3114	4114	4114	0	0	23040	23040	23040	0	0	—	—	—	—	—
3115	4115	4115	100	100	100	100	100	100	100	—	—	—	—	—
3116	4116	4116	11031	5280	5000	5126	5177	4100	3600	—	—	—	—	—
3117	4117	4117	90	90	90	90	90	90	90	—	—	—	—	—
3118	4118	4118	100	100	100	90	100	100	100	—	—	—	—	—
3119	4119	4119	522	34	31	35	31	30	31	—	—	—	—	—
3120	4120	4120	0	0	0	0	0	0	0	—	—	—	—	—
3121	4121	4121	0	0	0	0	0	0	0	—	—	—	—	—
3122	4122	4122	178	164	164	148	148	143	143	—	—	—	—	—
3128	4128	4128	0	0	0	0	105	102	0	—	—	—	—	—
3129	4129	4129	0	0	0	0	0	0	0	—	—	—	—	—
3130	4130	4130	25700	25700	25700	25700	25700	25700	25700	—	—	—	—	—
3134	4134	4134	130	130	130	130	130	130	130	—	—	—	—	—
3136	4136	4136	30	30	0	30	0	30	0	—	—	—	—	—
3138	4138	4138	1500	1500	0	1500	0	1520	0	—	—	—	—	—
3139	4139	4139	89	100	0	95	0	100	0	—	—	—	—	—
3140	4140	4140	1642	1500	0	1710	0	1813	0	—	—	—	—	—
3141	4141	4141	77	0	0	70	0	84	0	—	—	—	—	—
3142	4142	4142	5000	7000	0	5500	0	3000	0	—	—	—	—	—
3143	4143	4143	5000	7000	0	5500	0	10000	0	—	—	—	—	—
3144	4144	4144	0	0	0	0	0	0	0	—	—	—	—	—
3145	4145	4145	25	25	0	25	0	25	0	—	—	—	—	—
3146	4146	4146	566	595	0	794	0	943	0	—	—	—	—	—
3147	4147	4147	162	173	0	243	0	333	0	—	—	—	—	—
3148	4148	4148	200	200	0	200	0	200	0	—	—	—	—	—
3149	4149	4149	1090	311	0	304	0	308	0	—	—	—	—	—
3150	4150	4150	19200	23040	0	23040	0	0	0	—	—	—	—	—
3151	4151	4151	100	100	0	100	0	100	0	—	—	—	—	—
3152	4152	4152	8000	5000	0	5177	0	3600	0	—	—	—	—	—
3153	4153	4153	90	90	0	90	0	90	0	—	—	—	—	—
3154	4154	4154	100	100	0	100	0	100	0	—	—	—	—	—
3155	4155	4155	0	0	0	0	0	0	0	—	—	—	—	—
3156	4156	4156	0	0	0	0	0	0	0	—	—	—	—	—
3158	4158	4158	0	0	0	105	0	0	0	—	—	—	—	—
3159	4159	4159	0	0	0	0	0	0	0	—	—	—	—	—
3161	4161	4161	25700	25700	0	25700	0	25700	0	—	—	—	—	—
3165	4165	4165	521	31	0	31	0	31	0	—	—	—	—	—
3166	4166	4166	49	70	0	20555	0	11615	0	—	—	—	—	—
3169	4169	4169	0	0	0	0	0	0	0	—	—	—	—	—
Maximum output during acceleration (for PS selection)	13.2kW		18.0kW		18.0kW		22.2kW		22.2kW		26.4kW		26.4kW	
Motor model (old name)	—		α12/10000i		α12/10000i		α15/10000i		α15/10000i		α18/10000i		α18/10000i	
Applicable amplifier (old name)	—		SPM-15i		SPM-15i		SPM-22i		SPM-22i		SPM-22i		SPM-22i	

(*2) When using the SDT signal, manually change the parameters that were automatically set.

(*3) Set this value as the initial value of the velocity loop gain for low-speed characteristics of speed range switching.

(*4) This setting is used when only a low-speed winding is connected without the output range being switched in the output range switching motor.

Motor model			<i>ai</i> I 22/10000	<i>ai</i> I 22/10000(*4)
Applicable amplifier			<i>ai</i> SP26	<i>ai</i> SP26
Model code			406	—
Applicable software series and edition			9D50/E	—
Low-speed winding characteristics			22/26kW 1500/10000min ⁻¹	22/26kW 1500/10000min ⁻¹
High-speed winding characteristics			22/26kW 4000/10000min ⁻¹	—
FS15i	FS16i	FS30i		
3007	4007	4007	00000000	00000000
3008	4008	4008	00000000	00000000
3009	4009	4009	00000000	00000000
3010	4010	4010	00000000	00000000
3011	4011	4011	00011010	00011010
3012	4012	4012	10000010	10000010
3013	4013	4013	01010000	01010000
3019	4019	4019	00000100	00000100
3020	4020	4020	10000	10000
3023	4023	4023	400(*2)	
3039	4039	4039	0	0
3040	4040	4040		
3041	4041	4041		
3048	4048	4048		
3049	4049	4049		
3080	4080	4080	75	56
3083	4083	4083	30	30
3093	4093	4093	142	0
3100	4100	4100	4000	1440
3101	4101	4101	83	96
3102	4102	4102	3504	1709
3103	4103	4103	0	96
3104	4104	4104	2800	5000
3105	4105	4105	0	0
3106	4106	4106	2800	5000
3107	4107	4107	0	0
3108	4108	4108	0	0
3109	4109	4109	25	25
3110	4110	4110	603	823
3111	4111	4111	143	213
3112	4112	4112	200	200
3113	4113	4113	265	300
3114	4114	4114	24320	19200
3115	4115	4115	100	100
3116	4116	4116	5523	5593
3117	4117	4117	90	90
3118	4118	4118	100	100
3119	4119	4119	36	341
3120	4120	4120	0	0
3124	4124	4124	0	0
3127	4127	4127	142	142
3128	4128	4128	0	0
3129	4129	4129	0	0
3130	4130	4130	25700	25700
3134	4134	4134	130	130
3136	4136	4136	30	0
3138	4138	4138	1440	0
3139	4139	4139	96	0
3140	4140	4140	1709	0
3141	4141	4141	96	0
3142	4142	4142	5000	0
3143	4143	4143	5000	0
3144	4144	4144	0	0
3145	4145	4145	25	0
3146	4146	4146	823	0
3147	4147	4147	213	0
3148	4148	4148	200	0
3149	4149	4149	300	0
3150	4150	4150	19200	0
3151	4151	4151	100	0
3152	4152	4152	5593	0
3153	4153	4153	90	0
3154	4154	4154	100	0
3155	4155	4155	0	0
3156	4156	4156	0	0
3158	4158	4158	0	0
3159	4159	4159	0	0
3161	4161	4161	25700	0
3165	4165	4165	341	0
3166	4166	4166	56	0
3169	4169	4169	0	0
Maximum output during acceleration (for PS selection)			31.2kW	31.2kW
Motor model (old name)			<i>a</i> 22/10000i	<i>a</i> 22/10000i
Applicable amplifier (old name)			SPM-26i	SPM-26i

(*2) When using the SDT signal, manually change the parameters that were automatically set.

(*4) This setting is used when only a low-speed winding is connected without the output range being switched in the output range switching motor.

C.2 SPINDLE MOTOR $\alpha i I_P$ series

Motor model			$\alpha i I_P$ 12/6000	$\alpha i I_P$ 12/8000	$\alpha i I_P$ 15/6000	$\alpha i I_P$ 15/8000	$\alpha i I_P$ 18/6000	$\alpha i I_P$ 18/8000	$\alpha i I_P$ 22/6000	$\alpha i I_P$ 22/8000
Applicable amplifier			αi SP11	αi SP11	αi SP15	αi SP15	αi SP15	αi SP15	αi SP22	αi SP22
Model code			407	—	408	—	409	—	410	—
Applicable software series and edition			9D50/F	—	9D50/F	—	9D50/F	—	9D50/F	—
Low-speed winding characteristics			3.7/7.5kW 500/1500min ⁻¹	3.7/7.5kW 500/1500min ⁻¹	5/9kW 500/1500min ⁻¹	5/9kW 500/1500min ⁻¹	6/11kW 500/1500min ⁻¹	6/11kW 500/1500min ⁻¹	7.5/15kW 500/1500min ⁻¹	7.5/15kW 500/1500min ⁻¹
High-speed winding characteristics			5.5/7.5kW 750/6000min ⁻¹	5.5/7.5kW 750/8000min ⁻¹	7.5/9kW 750/6000min ⁻¹	7.5/9kW 750/8000min ⁻¹	9/11kW 750/6000min ⁻¹	9/11kW 750/8000min ⁻¹	11/15kW 750/6000min ⁻¹	11/15kW 750/8000min ⁻¹
FS15i	FS16i	FS30i								
3007	4007	4007	00000000	—	00000000	—	00000000	—	00000000	—
3008	4008	4008	00000000	—	00000000	—	00000000	—	00000000	—
3009	4009	4009	00000000	—	00000000	—	00000000	—	00000000	—
3010	4010	4010	00000000	—	00000000	—	00000000	—	00000000	—
3011	4011	4011	00011010	—	00011010	—	00011010	—	00011010	—
3012	4012	4012	10000010	—	10000010	—	10000010	—	10000010	—
3013	4013	4013	00001100	—	00001100	—	00001100	—	01010000	—
3019	4019	4019	00000100	—	00000100	—	00000100	—	00000100	—
3020	4020	4020	8000	8000	8000	8000	8000	8000	8000	8000
3023	4023	4023	125(*2)	94(*2)	125(*2)	94(*2)	125(*2)	94(*2)	125(*2)	94(*2)
3039	4039	4039	0	—	0	—	0	—	0	—
3040	4040	4040								
3041	4041	4041								
3048	4048	4048								
3049	4049	4049								
3080	4080	4080	11610	—	16730	—	75	—	18000	—
3083	4083	4083	30	—	30	—	30	—	30	—
3093	4093	4093	243	—	216	—	220	—	240	—
3100	4100	4100	750	—	750	—	740	—	800	—
3101	4101	4101	100	—	90	—	100	—	100	—
3102	4102	4102	1488	—	1431	—	1261	—	1342	—
3103	4103	4103	75	—	65	—	70	—	65	—
3104	4104	4104	4000	—	3800	—	5500	—	5500	—
3105	4105	4105	0	—	0	—	0	—	0	—
3106	4106	4106	10000	—	11000	—	17000	—	5500	—
3107	4107	4107	0	—	0	—	0	—	0	—
3108	4108	4108	0	—	0	—	0	—	0	—
3109	4109	4109	25	—	25	—	25	—	25	—
3110	4110	4110	815	—	1043	—	754	—	914	—
3111	4111	4111	297	—	326	—	225	—	300	—
3112	4112	4112	200	—	200	—	200	—	200	—
3113	4113	4113	240	—	270	—	300	—	300	—
3114	4114	4114	23040	—	23040	—	0	—	23040	—
3115	4115	4115	100	—	100	—	100	—	100	—
3116	4116	4116	5307	—	5171	—	5671	—	6196	—
3117	4117	4117	90	—	90	—	90	—	90	—
3118	4118	4118	100	—	100	—	100	—	100	—
3119	4119	4119	40	—	35	—	32	—	301	—
3120	4120	4120	0	—	0	—	0	—	0	—
3124	4124	4124	0	—	0	—	0	—	0	—
3127	4127	4127	164	—	144	—	147	—	164	—
3128	4128	4128	105	—	105	—	105	—	110	—
3129	4129	4129	0	—	0	—	0	—	0	—
3130	4130	4130	25700	—	25700	—	25700	—	25700	—
3134	4134	4134	130	—	130	—	130	—	130	—
3136	4136	4136	30	—	30	—	30	—	30	—
3138	4138	4138	530	—	560	—	500	—	530	—
3139	4139	4139	90	—	100	—	90	—	100	—
3140	4140	4140	887	—	1143	—	755	—	930	—
3141	4141	4141	0	—	80	—	60	—	0	—
3142	4142	4142	6500	—	5000	—	8000	—	6500	—
3143	4143	4143	15000	—	13000	—	23000	—	15000	—
3144	4144	4144	0	—	0	—	0	—	0	—
3145	4145	4145	25	—	25	—	25	—	25	—
3146	4146	4146	1494	—	2514	—	1489	—	1886	—
3147	4147	4147	565	—	816	—	476	—	617	—
3148	4148	4148	200	—	200	—	200	—	200	—
3149	4149	4149	270	—	280	—	315	—	327	—
3150	4150	4150	23040	—	23040	—	0	—	20480	—
3151	4151	4151	100	—	100	—	100	—	100	—
3152	4152	4152	5268	—	5170	—	5660	—	4813	—
3153	4153	4153	90	—	90	—	90	—	90	—
3154	4154	4154	100	—	100	—	115	—	110	—
3155	4155	4155	0	—	0	—	0	—	0	—
3156	4156	4156	0	—	0	—	0	—	0	—
3158	4158	4158	110	—	105	—	0	—	90	—
3159	4159	4159	0	—	0	—	0	—	0	—
3161	4161	4161	25700	—	25700	—	25700	—	25700	—
3165	4165	4165	15	—	34	—	10	—	20	—
3166	4166	4166	70	—	70	—	77	—	75	—
3169	4169	4169	0	—	0	—	0	—	0	—
Maximum output during acceleration (for PS selection)			12.3kW	12.3kW	13.5kW	13.5kW	15.1kW	15.1kW	20.0kW	20.0kW
Motor model (old name)			αi 12/6000iP	αi 12/8000iP	αi 15/6000iP	αi 15/8000iP	αi 18/6000iP	αi 18/8000iP	αi 22/6000iP	αi 22/8000iP
Applicable amplifier (old name)			SPM-11i	SPM-11i	SPM-15i	SPM-15i	SPM-15i	SPM-15i	SPM-22i	SPM-22i

(*2) When using the SDT signal, manually change the parameters that were automatically set.

Motor model	αi I _F 30/6000			αi I _F 40/6000			αi I _F 50/6000			αi I _F 60/4500				
Applicable amplifier	αi SP22			αi SP26			αi SP26			αi SP30				
Model code	411			412			413			414				
Applicable software series and edition	9D50/E			9D50/F			9D50/E			9D50/F				
Low-speed winding characteristics	11/18.5kW 400/1500min ⁻¹			13/22kW 400/1500min ⁻¹			22/30kW 575/1500min ⁻¹			18.5/30kW 400/1500min ⁻¹				
	15/18.5kW 575/6000min ⁻¹			18.5/22kW 575/6000min ⁻¹			22/30kW 1200/6000min ⁻¹			22/30kW 750/4500min ⁻¹				
High-speed winding characteristics	FS15i			FS16i			FS30i							
	3007			4007			4007			00000000				
3008			4008			4008			00000000					
3009			4009			4009			00000000					
3010			4010			4010			00000000					
3011			4011			4011			00011010					
3012			4012			4012			10000010					
3013			4013			4013			01010000					
3019			4019			4019			00000100					
3020			4020			4020			6000					
3023			4023			4023			96(*2)					
3039			4039			4039			0					
3040			4040			4040								
3041			4041			4041								
3048			4048			4048								
3049			4049			4049								
3080			4080			4080			19280					
3083			4083			4083			30					
3093			4093			4093			202					
3100			4100			4100			590					
3101			4101			4101			100					
3102			4102			4102			889					
3103			4103			4103			85					
3104			4104			4104			10000					
3105			4105			4105			0					
3106			4106			4106			10000					
3107			4107			4107			0					
3108			4108			4108			0					
3109			4109			4109			25					
3110			4110			4110			750					
3111			4111			4111			267					
3112			4112			4112			150					
3113			4113			4113			198					
3114			4114			4114			21760					
3115			4115			4115			100					
3116			4116			4116			6050					
3117			4117			4117			90					
3118			4118			4118			100					
3119			4119			4119			48					
3120			4120			4120			0					
3124			4124			4124			0					
3127			4127			4127			148					
3128			4128			4128			105					
3129			4129			4129			0					
3130			4130			4130			25700					
3134			4134			4134			130					
3136			4136			4136			30					
3138			4138			4138			400					
3139			4139			4139			100					
3140			4140			4140			684					
3141			4141			4141			0					
3142			4142			4142			13000					
3143			4143			4143			13000					
3144			4144			4144			0					
3145			4145			4145			25					
3146			4146			4146			2011					
3147			4147			4147			733					
3148			4148			4148			200					
3149			4149			4149			165					
3150			4150			4150			0					
3151			4151			4151			100					
3152			4152			4152			6008					
3153			4153			4153			28250					
3154			4154			4154			100					
3155			4155			4155			0					
3156			4156			4156			0					
3158			4158			4158			90					
3159			4159			4159			0					
3161			4161			4161			25700					
3165			4165			4165			58					
3166			4166			4166			50					
3169			4169			4169			0					
Maximum output during acceleration (for PS selection)														
			25.0kW			29.0kW			35.4kW			36kW		
Motor model (old name)														
			$\alpha 30/6000i$ P			$\alpha 40/6000i$ P			$\alpha 50/6000i$ P			$\alpha 60/4500i$ P		
Applicable amplifier (old name)														
			SPM-22i			SPM-26i			SPM-26i			SPM-30i		

(*2) When using the SDT signal, manually change the parameters that were automatically set.

C.3 SPINDLE MOTOR *ai*IT series

Motor model			<i>ai</i> Ir 1.5/15000	<i>ai</i> Ir 1.5/20000	<i>ai</i> Ir 2/15000	<i>ai</i> Ir 2/20000	<i>ai</i> Ir 3/12000	<i>ai</i> Ir 6/12000	<i>ai</i> Ir 6/12000(*4)
Applicable amplifier			<i>ai</i> SP15	<i>ai</i> SP15	<i>ai</i> SP22	<i>ai</i> SP22	<i>ai</i> SP11	<i>ai</i> SP15	<i>ai</i> SP15
Model code			—	—	—	—	—	—	—
Applicable software series and edition			—	—	—	—	—	—	—
Low-speed winding characteristics			—	—	—	—	—	5.5/7.5kW 1500/12000min ⁻¹	5.5/7.5kW 1500/12000min ⁻¹
High-speed winding characteristics			1.5/2.2kW 3000/15000min ⁻¹	1.5/2.2kW 3000/20000min ⁻¹	2.2/3.7kW 3000/15000min ⁻¹	2.2/3.7kW 3000/20000min ⁻¹	3.7/5.5kW 1500/12000min ⁻¹	5.5/7.5kW 4000/12000min ⁻¹	—
FS15i	FS16i	FS30i							
3007	4007	4007	00000000	00000000	00000000	00000000	00000000	00000000	00000000
3008	4008	4008	00000000	00000000	00000000	00000000	00000000	00000000	00000000
3009	4009	4009	00000000	00000000	00000000	00000000	00000000	00000000	00000000
3010	4010	4010	00000001	00000001	00000001	00000001	00000001	00000001	00000001
3011	4011	4011	00011001	00011001	00011001	00011001	00011001	00011010	00011010
3012	4012	4012	10000010	10000010	10000010	10000010	10000010	10000010	10000010
3013	4013	4013	00001100	00001100	01010000	01010000	00001100	00001100	00001100
3019	4019	4019	00000100	00000100	00000100	00000100	00000100	00000100	00000100
3020	4020	4020	15000	20000	15000	20000	12000	12000	12000
3023	4023	4023						333(*2)	
3039	4039	4039	0	0	0	0	0	0	0
3040	4040	4040							
3041	4041	4041						6(*3)	
3048	4048	4048							
3049	4049	4049						6(*3)	
3080	4080	4080	14165	14165	12122	19290	16720	81	58
3083	4083	4083	10	10	10	10	30	30	30
3093	4093	4093	0	0	0	0	0	164	0
3100	4100	4100	3250	3250	3200	3200	1500	4200	1500
3101	4101	4101	33	33	45	45	87	50	71
3102	4102	4102	7145	7145	6432	6432	3015	4561	2630
3103	4103	4103	75	75	92	92	82	70	70
3104	4104	4104	2300	2300	3000	3000	3200	3000	5500
3105	4105	4105	0	0	0	0	0	0	0
3106	4106	4106	8700	8700	3000	3000	7500	3000	5500
3107	4107	4107	0	0	0	0	0	0	0
3108	4108	4108	0	0	0	0	0	0	0
3109	4109	4109	25	25	25	25	25	25	25
3110	4110	4110	629	629	588	588	559	646	1131
3111	4111	4111	180	180	175	175	190	185	353
3112	4112	4112	200	200	200	200	200	200	200
3113	4113	4113	2227	2227	1800	1800	900	650	620
3114	4114	4114	0	0	0	0	19200	20480	20480
3115	4115	4115	90	90	100	80	100	100	100
3116	4116	4116	10289	10289	16564	16564	7376	10783	8803
3117	4117	4117	90	90	90	90	90	90	90
3118	4118	4118	100	100	100	100	100	100	100
3119	4119	4119	5	5	2	2	9	15	527
3120	4120	4120	0	0	0	0	0	0	0
3124	4124	4124	0	0	0	0	0	0	0
3127	4127	4127	176	176	202	202	178	164	164
3128	4128	4128	73	73	85	85	0	95	105
3129	4129	4129	0	0	0	0	0	0	0
3130	4130	4130	25700	25700	25700	25700	25700	25700	25700
3134	4134	4134	110	110	110	110	110	130	130
3136	4136	4136	0	0	0	0	0	30	0
3138	4138	4138	0	0	0	0	0	1500	0
3139	4139	4139	0	0	0	0	0	71	0
3140	4140	4140	0	0	0	0	0	2630	0
3141	4141	4141	0	0	0	0	0	70	0
3142	4142	4142	0	0	0	0	0	5500	0
3143	4143	4143	0	0	0	0	0	5500	0
3144	4144	4144	0	0	0	0	0	0	0
3145	4145	4145	0	0	0	0	0	25	0
3146	4146	4146	0	0	0	0	0	1131	0
3147	4147	4147	0	0	0	0	0	353	0
3148	4148	4148	0	0	0	0	0	200	0
3149	4149	4149	0	0	0	0	0	620	0
3150	4150	4150	0	0	0	0	0	20480	0
3151	4151	4151	0	0	0	0	0	100	0
3152	4152	4152	0	0	0	0	0	8803	0
3153	4153	4153	0	0	0	0	0	90	0
3154	4154	4154	0	0	0	0	0	100	0
3155	4155	4155	0	0	0	0	0	0	0
3156	4156	4156	0	0	0	0	0	0	0
3158	4158	4158	0	0	0	0	0	105	0
3159	4159	4159	0	0	0	0	0	0	0
3161	4161	4161	0	0	0	0	0	25700	0
3165	4165	4165	0	0	0	0	0	527	0
3166	4166	4166	0	0	0	0	0	58	0
3169	4169	4169	0	0	0	0	0	0	0
Maximum output during acceleration (for PS selection)			13.0kW	13kW	20kW	20kW	13kW	13kW	13kW
Motor model (old name)			α 1.5/15000i τ	—	α 2/15000i τ	—	α 3/12000i τ	α 6/12000i τ	α 6/12000i τ
Applicable amplifier (old name)			SPM-15i	—	SPM-22i	—	SPM-11i	SPM-15i	SPM-15i

(*2) When using the SDT signal, manually change the parameters that were automatically set.

(*3) Set this value as the initial value of the velocity loop gain for low-speed characteristics of speed range switching.

(*4) This setting is used when only a low-speed winding is connected without the output range being switched in the output range switching motor.

Motor model	α Ir 8/12000	α Ir 8/12000(*4)	α Ir 8/15000	α Ir 8/15000(*4)	α Ir 15/10000	α Ir 15/10000(*4)	α Ir 15/12000	α Ir 15/12000(*4)	
Applicable amplifier	α i SP15	α i SP15	α i SP26	α i SP26	α i SP22	α i SP22	α i SP30	α i SP30	
Model code	—	—	—	—	—	—	—	—	
Applicable software series and edition	—	—	—	—	—	—	—	—	
Low-speed winding characteristics	7.5/11kW	7.5/11kW	7.5/11/15kW	7.5/11/15kW	15/18.5kW	15/18.5kW	15/18.5/22kW	15/18.5/22kW	
	1500/12000min ⁻¹	1500/12000min ⁻¹	1500/4000min ⁻¹	1500/4000min ⁻¹	1500/10000min ⁻¹	1500/10000min ⁻¹	1400/4000min ⁻¹	1400/4000min ⁻¹	
High-speed winding characteristics	7.5/11kW	—	7.5/11/15kW	—	15/18.5kW	—	15/18.5/22kW	—	
	4000/12000min ⁻¹	—	4000/15000min ⁻¹	—	4000/10000min ⁻¹	—	5000/12000min ⁻¹	—	
FS15i	FS16i	FS30i							
3007	4007	4007	00000000	00000000	00000000	00000000	00000000	00000000	
3008	4008	4008	00000000	00000000	00000000	00000000	00000000	00000000	
3009	4009	4009	00000000	00000000	00000000	00000000	00000000	00000000	
3010	4010	4010	00000001	00000001	00000001	00000001	00000001	00000001	
3011	4011	4011	00011010	00011010	00011010	00011010	00011010	00011010	
3012	4012	4012	10000010	10000010	10000010	10000010	10000010	10000010	
3013	4013	4013	00001100	00001100	01010000	01010000	01010000	01010000	
3019	4019	4019	00000100	00000100	00000100	00000100	00000100	00000100	
3020	4020	4020	12000	12000	15000	4000	10000	12000	
3023	4023	4023	333(*2)		267(*2)		400(*2)	292(*2)	
3039	4039	4039	0	0	0	0	0	0	
3040	4040	4040							
3041	4041	4041	6(*3)		4(*3)				
3048	4048	4048							
3049	4049	4049	6(*3)		4(*3)				
3080	4080	4080	70	49	18774	95	80	20555	
3083	4083	4083	30	30	30	30	30	30	
3093	4093	4093	176	0	240	0	148	0	
3100	4100	4100	3580	1500	4040	1570	4000	1500	
3101	4101	4101	100	89	84	90	62	95	
3102	4102	4102	3580	1642	5161	2592	3482	1710	
3103	4103	4103	0	77	0	0	75	70	
3104	4104	4104	2300	5000	2700	5000	1700	5500	
3105	4105	4105	0	0	0	0	0	0	
3106	4106	4106	2300	5000	9200	16000	5500	3500	
3107	4107	4107	0	0	0	0	0	0	
3108	4108	4108	0	0	0	0	0	0	
3109	4109	4109	25	25	25	25	25	25	
3110	4110	4110	421	566	503	754	575	794	
3111	4111	4111	100	162	105	192	193	243	
3112	4112	4112	200	200	200	200	200	200	
3113	4113	4113	980	1090	1000	1050	275	304	
3114	4114	4114	0	19200	28160	0	23040	23040	
3115	4115	4115	100	100	100	100	100	100	
3116	4116	4116	11031	8000	10984	11083	5126	5177	
3117	4117	4117	90	90	90	90	90	90	
3118	4118	4118	100	100	90	100	100	90	
3119	4119	4119	522	521	10	15	35	31	
3120	4120	4120	0	0	0	0	0	0	
3124	4124	4124	0	0	0	0	0	0	
3127	4127	4127	176	176	240	240	148	148	
3128	4128	4128	0	0	0	110	0	105	
3129	4129	4129	0	0	0	0	0	0	
3130	4130	4130	25700	25700	25700	25700	25700	25700	
3134	4134	4134	130	130	130	130	130	130	
3136	4136	4136	30	0	30	0	30	0	
3138	4138	4138	1500	0	1570	0	1500	0	
3139	4139	4139	89	0	90	0	95	0	
3140	4140	4140	1642	0	2582	0	1710	0	
3141	4141	4141	77	0	0	0	70	0	
3142	4142	4142	5000	0	5000	0	5500	0	
3143	4143	4143	5000	0	16000	0	5500	0	
3144	4144	4144	0	0	0	0	0	0	
3145	4145	4145	25	0	25	0	25	0	
3146	4146	4146	566	0	754	0	794	0	
3147	4147	4147	162	0	192	0	243	0	
3148	4148	4148	200	0	200	0	200	0	
3149	4149	4149	1090	0	1050	0	304	0	
3150	4150	4150	19200	0	0	0	23040	0	
3151	4151	4151	100	0	100	0	100	0	
3152	4152	4152	8000	0	11083	0	5177	0	
3153	4153	4153	90	0	90	0	90	0	
3154	4154	4154	100	0	100	0	100	0	
3155	4155	4155	0	0	0	0	0	0	
3156	4156	4156	0	0	0	0	0	0	
3158	4158	4158	0	0	110	0	105	0	
3159	4159	4159	0	0	0	0	0	0	
3161	4161	4161	25700	0	25700	0	25700	0	
3165	4165	4165	521	0	15	0	31	0	
3166	4166	4166	49	0	95	0	20555	0	
3169	4169	4169	0	0	0	0	0	0	
Maximum output during acceleration (for PS selection)	13.2kW	13.2kW	28kW	28kW	22.2kW	22.2kW	38kW	38kW	
Motor model (old name)	α 8/12000i τ	α 8/12000i τ	α 8/15000i τ	α 8/15000i τ	α 15/10000i τ	α 15/10000i τ	α 15/12000i τ	α 15/12000i τ	
Applicable amplifier (old name)	SPM-15i	SPM-15i	SPM-26i	SPM-26i	SPM-22i	SPM-22i	SPM-30i	SPM-30i	

- (*2) When using the SDT signal, manually change the parameters that were automatically set.
- (*3) Set this value as the initial value of the velocity loop gain for low-speed characteristics of speed range switching.
- (*4) This setting is used when only a low-speed winding is connected without the output range being switched in the output range switching motor.

Motor model	α1r 15/15000		α1r 22/10000		α1r 22/10000(*4)	
Applicable amplifier	α1 SP30		α1 SP26		α1 SP26	
Model code	—		—		—	
Applicable software series and edition	—		—		—	
Low-speed winding characteristics	15/18.5/22kW		22/26kW		22/26kW	
	1400/4000min ⁻¹		1500/10000min ⁻¹		1500/10000min ⁻¹	
High-speed winding characteristics	15/18.5/22kW		22/26kW		—	
	5000/15000min ⁻¹		4000/10000min ⁻¹		—	
FS15i	FS16i	FS30i				
3007	4007	4007	00000000	00000000	00000000	
3008	4008	4008	00000000	00000000	00000000	
3009	4009	4009	00000000	00000000	00000000	
3010	4010	4010	00000001	00000001	00000001	
3011	4011	4011	00011010	00011010	00011010	
3012	4012	4012	10000010	10000010	10000010	
3013	4013	4013	01010000	01010000	01010000	
3019	4019	4019	00000100	00000100	00000100	
3020	4020	4020	15000	10000	10000	
3023	4023	4023	233(*2)	400(*2)		
3039	4039	4039	0	0	0	
3040	4040	4040				
3041	4041	4041	4(*3)			
3048	4048	4048				
3049	4049	4049	4(*3)			
3080	4080	4080	10583	75	56	
3083	4083	4083	30	30	30	
3093	4093	4093	176	142	0	
3100	4100	4100	4500	4000	1440	
3101	4101	4101	65	83	96	
3102	4102	4102	5392	3504	1709	
3103	4103	4103	82	0	96	
3104	4104	4104	3500	2800	5000	
3105	4105	4105	0	0	0	
3106	4106	4106	3500	2800	5000	
3107	4107	4107	0	0	0	
3108	4108	4108	0	0	0	
3109	4109	4109	25	25	25	
3110	4110	4110	887	603	823	
3111	4111	4111	255	143	213	
3112	4112	4112	200	200	200	
3113	4113	4113	380	265	300	
3114	4114	4114	0	24320	19200	
3115	4115	4115	100	100	100	
3116	4116	4116	9314	5523	5593	
3117	4117	4117	90	90	90	
3118	4118	4118	90	100	100	
3119	4119	4119	25	36	341	
3120	4120	4120	0	0	0	
3124	4124	4124	0	0	0	
3127	4127	4127	176	142	142	
3128	4128	4128	0	0	0	
3129	4129	4129	0	0	0	
3130	4130	4130	25700	25700	25700	
3134	4134	4134	130	130	130	
3136	4136	4136	30	30	0	
3138	4138	4138	1450	1440	0	
3139	4139	4139	70	96	0	
3140	4140	4140	1783	1709	0	
3141	4141	4141	93	96	0	
3142	4142	4142	7000	5000	0	
3143	4143	4143	7000	5000	0	
3144	4144	4144	0	0	0	
3145	4145	4145	25	25	0	
3146	4146	4146	2155	823	0	
3147	4147	4147	650	213	0	
3148	4148	4148	200	200	0	
3149	4149	4149	380	300	0	
3150	4150	4150	0	19200	0	
3151	4151	4151	100	100	0	
3152	4152	4152	2000	5593	0	
3153	4153	4153	90	90	0	
3154	4154	4154	90	100	0	
3155	4155	4155	0	0	0	
3156	4156	4156	0	0	0	
3158	4158	4158	0	0	0	
3159	4159	4159	0	0	0	
3161	4161	4161	25700	25700	0	
3165	4165	4165	25	341	0	
3166	4166	4166	65	56	0	
3169	4169	4169	0	0	0	
Maximum output during acceleration (for PS selection)	38kW		31.2kW		31.2kW	
Motor model (old name)	α15/15000iτ		α22/10000iτ		α22/10000iτ	
Applicable amplifier (old name)	SPM-30i		SPM-26i		SPM-26i	

- (*2) When using the SDT signal, manually change the parameters that were automatically set.
- (*3) Set this value as the initial value of the velocity loop gain for low-speed characteristics of speed range switching.
- (*4) This setting is used when only a low-speed winding is connected without the output range being switched in the output range switching motor.

C.4 SPINDLE MOTOR αiL series

Motor model			αiL 8/20000	αiL 15/15000	αiL 26/15000
Applicable amplifier			αi SP30	αi SP30	αi SP30
Model code			—	—	—
Applicable software series and edition			—	—	—
Low-speed winding characteristics			11/15kW 1150/4000min ⁻¹	18.5/22kW 1400/4000min ⁻¹	15/22kW 600/2000min ⁻¹
High-speed winding characteristics			15/18.5kW 5000/20000min ⁻¹	18.5/22kW 6000/15000min ⁻¹	26/30kW 2500/15000min ⁻¹
FS15i	FS16i	FS30i			
3007	4007	4007	00000000	00000000	00000000
3008	4008	4008	00000000	00000000	00000000
3009	4009	4009	00000000	00000000	00000000
3010	4010	4010	00000001	00000001	00000001
3011	4011	4011	00011001	00011001	00011001
3012	4012	4012	10000010	10000010	10000010
3013	4013	4013	01010000	01010000	01010000
3019	4019	4019	00000100	00000100	00000100
3020	4020	4020	20000	15000	15000
3023	4023	4023	200(*2)	267(*2)	120(*2)
3039	4039	4039	0	0	0
3040	4040	4040			
3041	4041	4041	3(*3)	4(*3)	5(*3)
3048	4048	4048			
3049	4049	4049	3(*3)	4(*3)	5(*3)
3080	4080	4080	11856	12115	12875
3083	4083	4083	20	30	30
3093	4093	4093	164	143	176
3100	4100	4100	5070	6000	2470
3101	4101	4101	69	52	70
3102	4102	4102	6960	6153	2580
3103	4103	4103	0	89	97
3104	4104	4104	2100	1800	2100
3105	4105	4105	0	0	0
3106	4106	4106	3900	2800	4600
3107	4107	4107	0	0	0
3108	4108	4108	0	0	0
3109	4109	4109	25	25	25
3110	4110	4110	805	1207	1207
3111	4111	4111	217	343	344
3112	4112	4112	200	200	200
3113	4113	4113	1005	300	320
3114	4114	4114	0	0	0
3115	4115	4115	100	100	100
3116	4116	4116	9613	7537	4716
3117	4117	4117	90	90	90
3118	4118	4118	100	90	100
3119	4119	4119	778	32	286
3120	4120	4120	0	0	0
3124	4124	4124	0	0	0
3127	4127	4127	148	143	138
3128	4128	4128	0	0	0
3129	4129	4129	0	0	0
3130	4130	4130	25700	25700	25700
3134	4134	4134	130	130	130
3136	4136	4136	30	30	30
3138	4138	4138	1350	1470	700
3139	4139	4139	75	79	67
3140	4140	4140	2605	2573	873
3141	4141	4141	0	0	0
3142	4142	4142	5600	4000	7000
3143	4143	4143	7000	6000	12000
3144	4144	4144	0	0	0
3145	4145	4145	25	25	25
3146	4146	4146	1724	2011	2321
3147	4147	4147	504	585	685
3148	4148	4148	200	200	200
3149	4149	4149	1145	300	420
3150	4150	4150	0	0	19200
3151	4151	4151	100	100	100
3152	4152	4152	10911	7536	4711
3153	4153	4153	90	90	90
3154	4154	4154	110	100	120
3155	4155	4155	0	0	0
3156	4156	4156	0	0	0
3158	4158	4158	110	107	105
3159	4159	4159	0	0	0
3161	4161	4161	25700	25700	25700
3165	4165	4165	8	32	23
3166	4166	4166	12893	75	60
3169	4169	4169	0	0	0
Maximum output during acceleration (for PS selection)			41kW	41kW	43kW
Motor model (old name)			$\alpha B/20000iL$	$\alpha 15/15000iL$	$\alpha 26/15000iL$
Applicable amplifier (old name)			SPM-30i	SPM-30i	SPM-30i

(*2) When using the SDT signal, manually change the parameters that were automatically set.

(*3) Set this value as the initial value of the velocity loop gain for low-speed characteristics of speed range switching.

C.5 SPINDLE MOTOR α iI series (400V)

Motor model			α i10.5/10000HV	α i11/10000HV	α i11.5/10000HV	α i12/10000HV	α i13/10000HV	α i16/10000HV	α i18/8000HV	α i112/7000HV
Applicable amplifier			α i SP5.5HV	α i SP5.5HV	α i SP5.5HV	α i SP5.5HV	α i SP5.5HV	α i SP11HV	α i SP11HV	α i SP15HV
Model code			311	313	315	317	319	321	325	326
Applicable software series and edition			9D50/F	9D50/F	9D50/F	9D50/F	9D50/F	9D50/F	9D50/F	9D50/F
Low-speed winding characteristics			-	-	-	-	-	-	-	-
High-speed winding characteristics			0.55/1.1kW 3000/10000min ⁻¹	1.5/2.2kW 3000/10000min ⁻¹	1.1/3.7kW 1500/10000min ⁻¹	2.2/3.7kW 1500/10000min ⁻¹	3.7/5.5kW 1500/10000min ⁻¹	5.5/7.5kW 1500/10000min ⁻¹	7.5/11kW 1500/8000min ⁻¹	11/15kW 1500/7000min ⁻¹
FS15i	FS16i	FS30i								
3007	4007	4007	00000000	00000000	00000000	00000000	00000000	00000000	00000000	00000000
3008	4008	4008	00000000	00000000	00000000	00000000	00000000	00000000	00000000	00000000
3009	4009	4009	00000000	00000000	00000000	00000000	00000000	00000000	00000000	00000000
3010	4010	4010	00000000	00000000	00000000	00000000	00000000	00000000	00000000	00000000
3011	4011	4011	00011000	00011001	00011001	00011001	00011001	00011010	00011010	00011010
3012	4012	4012	10000010	10000010	10000010	10000010	10000010	10000010	10000010	10000000
3013	4013	4013	00001100	00001100	00001100	00001100	00001100	00001100	00001100	00001100
3019	4019	4019	00000100	00000100	00000100	00000100	00000100	00000100	00000100	00000100
3020	4020	4020	10000	10000	10000	10000	10000	10000	8000	7000
3023	4023	4023								
3039	4039	4039	0	0	0	0	0	0	0	0
3040	4040	4040								
3041	4041	4041								
3048	4048	4048								
3049	4049	4049								
3080	4080	4080	85	20565	14173	80	85	85	70	88
3083	4083	4083	30	20570(*1)	14170(*1)	65(*1)	75(*1)	65(*1)	30	85(*1)
3093	4093	4093	0	0	0	0	0	0	0	0
3100	4100	4100	3250	2600	1610	1500	1400	1500	1800	1550
3101	4101	4101	100	85	100	100	100	100	100	100
3102	4102	4102	6503	3600	2745	4421	2288	3000	2323	1754
3103	4103	4103	45	83	65	50	61	58	85	88
3104	4104	4104	0(*1)	0(*1)	0(*1)	0(*1)	0(*1)	0(*1)	0(*1)	0(*1)
3104	4104	4104	4500	6000	5000	5000	7000	5000	7000	2000
3105	4105	4105	0	0	0	0	0	0	0	0
3106	4106	4106	4500	6000	12000	5000	7000	5000	7000	4500
3107	4107	4107	0	0	0	0	0	0	0	0
3108	4108	4108	0	0	0	0	0	0	0	0
3109	4109	4109	25	25	25	25	25	25	25	25
3110	4110	4110	3143	1423	1109	1397	1077	754	629	1077
3111	4111	4111	245	103	220	318	237	272	229	250
3112	4112	4112	200	200	200	200	200	200	200	200
3113	4113	4113	2058	2200	2400	935	873	878	743	275
3114	4114	4114	23040	14080	17920	110	20480	23040	23040	0
3115	4115	4115	100	100	100	100	100	100	100	100
3116	4116	4116	13641	17300	10218	10519	9908	9016	8734	5800
3117	4117	4117	90	90	90	90	90	90	90	90
3118	4118	4118	100	100	100	100	100	100	100	100
3119	4119	4119	5	4	4	10	11	11	13	35
3120	4120	4120	0	0	0	0	0	0	0	0
3124	4124	4124	0	0	0	0	0	0	0	0
3127	4127	4127	240	176	404	202	178	164	176	164
3128	4128	4128	120	75	107	90	90	0	0	108
3129	4129	4129	0	0	0	0	0	0	0	0
3130	4130	4130	25700	25700	25700	25700	25700	25700	25700	25700
3134	4134	4134	110	110	110	110	110	130	130	130
3136	4136	4136	0	0	0	0	0	0	0	0
3138	4138	4138	0	0	0	0	0	0	0	0
3139	4139	4139	0	0	0	0	0	0	0	0
3140	4140	4140	0	0	0	0	0	0	0	0
3141	4141	4141	0	0	0	0	0	0	0	0
3142	4142	4142	0	0	0	0	0	0	0	0
3143	4143	4143	0	0	0	0	0	0	0	0
3144	4144	4144	0	0	0	0	0	0	0	0
3145	4145	4145	0	0	0	0	0	0	0	0
3146	4146	4146	0	0	0	0	0	0	0	0
3147	4147	4147	0	0	0	0	0	0	0	0
3148	4148	4148	0	0	0	0	0	0	0	0
3149	4149	4149	0	0	0	0	0	0	0	0
3150	4150	4150	0	0	0	0	0	0	0	0
3151	4151	4151	0	0	0	0	0	0	0	0
3152	4152	4152	0	0	0	0	0	0	0	0
3153	4153	4153	0	0	0	0	0	0	0	0
3154	4154	4154	0	0	0	0	0	0	0	0
3155	4155	4155	0	0	0	0	0	0	0	0
3156	4156	4156	0	0	0	0	0	0	0	0
3158	4158	4158	0	0	0	0	0	0	0	0
3159	4159	4159	0	0	0	0	0	0	0	0
3161	4161	4161	0	0	0	0	0	0	0	0
3165	4165	4165	0	0	0	0	0	0	0	0
3166	4166	4166	0	0	0	0	0	0	0	0
3169	4169	4169	0	0	0	0	0	0	0	0
Maximum output during acceleration (for PS selection)			1.32kW 2.59kW(*1)	2.64kW 3.0kW(*1)	4.44kW 6.3kW(*1)	4.44kW 7.5kW(*1)	6.6kW 8.9kW(*1)	9.0kW 15.4kW(*1)	13.2kW 15.8kW(*1)	18.0kW 20.3kW(*1)
Motor model (old name)			α 0.5/10000HV <i>i</i>	α 1/10000HV <i>i</i>	α 1.5/10000HV <i>i</i>	α 2/10000HV <i>i</i>	α 3/10000HV <i>i</i>	α 6/10000HV <i>i</i>	α 8/8000HV <i>i</i>	α 12/7000HV <i>i</i>
Applicable amplifier (old name)			SPM-5.5HV <i>i</i>	SPM-5.5HV <i>i</i>	SPM-5.5HV <i>i</i>	SPM-5.5HV <i>i</i>	SPM-5.5HV <i>i</i>	SPM-11HV <i>i</i>	SPM-11HV <i>i</i>	SPM-15HV <i>i</i>

(*1) This setting makes the maximum output during acceleration greater and the acceleration time reduced.

Motor model	α115/7000HV			α122/7000HV			α130/6000HV			α140/6000HV			α160/4500HV			α1100/4000HV			α1100/4000HV(*4)		
Applicable amplifier	α1SP30HV			α1SP30HV			α1SP45HV			α1SP45HV			α1SP75HV			α1SP75HV			α1SP75HV		
Model code	327			328			329			—			—			415			—		
Applicable software series and edition	9D50/F			9D50/F			9D50/F			—			—			9D50/F			—		
Low-speed winding characteristics	—			—			—			—			—			100kW 1000/3000min ⁻¹			100kW 1000/3000min ⁻¹		
High-speed winding characteristics	15/18.5kW 1500/7000min ⁻¹			22/26kW 1500/7000min ⁻¹			30/37kW 1150/6000min ⁻¹			37/45 kW 1500/6000 min ⁻¹			60/75 kW 1150/4500 min ⁻¹			100kW 2000/4000min ⁻¹			—		
FS15i	FS16i	FS30i																			
3007	4007	4007	00000000	00000000	00000000	00000000	00000000	00000000	00000000	00000000	00000000	00000000	00000000	00000000	00000000	00000000	00000000	00000000	00000000	00000000	00000000
3008	4008	4008	00000000	00000000	00000000	00000000	00000000	00000000	00000000	00000000	00000000	00000000	00000000	00000000	00000000	00000000	00000000	00000000	00000000	00000000	00000000
3009	4009	4009	00000000	00000000	00000000	00000000	00000000	00000000	00000000	00000000	00000000	00000000	00000000	00000000	00000000	00000000	00000000	00000000	00000000	00000000	00000000
3010	4010	4010	00000000	00000000	00000000	00000000	00000000	00000000	00000000	00000000	00000000	00000000	00000000	00000000	00000000	00000000	00000000	00000000	00000000	00000000	00000000
3011	4011	4011	00011010	00011010	00011010	00011010	00011010	00011010	00011010	00011010	00011010	00011010	00011010	00011010	00011010	00011010	00011010	00011010	00011010	00011010	00011010
3012	4012	4012	10000010	10000010	10000010	10000000	10000000	10000000	10000000	10000000	10000000	10000000	10000000	10000000	10000000	10000000	10000000	10000000	10000000	10000000	10000000
3013	4013	4013	01010000	01010000	01010000	01010000	01010000	01010000	01010000	01010000	01010000	01010000	01010000	01010000	01010000	01010000	01010000	01010000	01010000	01010000	01010000
3019	4019	4019	00000100	00000100	00000100	00000100	00000100	00000100	00000100	00000100	00000100	00000100	00000100	00000100	00000100	00000100	00000100	00000100	00000100	00000100	00000100
3020	4020	4020	7000	7000	6000	6000	6000	6000	6000	6000	6000	6000	6000	6000	6000	6000	6000	6000	6000	6000	6000
3023	4023	4023																			
3039	4039	4039	0	0	0	0	0	0	0	0	0	0	0	0	0	0	0	0	0	0	0
3040	4040	4040																			
3041	4041	4041																			
3048	4048	4048																			
3049	4049	4049																			
3080	4080	4080	65	75	98	82	90	80	72												
3083	4083	4083	30	30	30	30	30	30	30												
3093	4093	4093	0	0	0	0	0	120	0												
3100	4100	4100	1500	1595	1230	1600	1130	2007	835												
3101	4101	4101	73	100	85	100	100	100	100												
3102	4102	4102	1972	1595	1617	1940	1491	2007	835												
3103	4103	4103	65	0	55	0	85	0	0												
3104	4104	4104	4500	5000	2500	2500	3500	2500	6000												
3105	4105	4105	0	0	0	0	0	0	0												
3106	4106	4106	4500	5000	4000	2800	7000	3000	7500												
3107	4107	4107	0	0	0	0	0	0	0												
3108	4108	4108	0	0	0	0	0	0	0												
3109	4109	4109	25	25	25	25	25	25	25												
3110	4110	4110	1499	838	1257	718	1174	754	823												
3111	4111	4111	425	223	455	252	345	215	239												
3112	4112	4112	200	200	200	200	200	200	200												
3113	4113	4113	280	325	160	175	193	185	215												
3114	4114	4114	23040	20480	0	0	0	0	0												
3115	4115	4115	100	100	100	100	100	100	100												
3116	4116	4116	5153	5572	5056	6212	5042	6516	6532												
3117	4117	4117	90	90	90	90	90	105	105												
3118	4118	4118	100	100	100	100	100	105	105												
3119	4119	4119	34	29	60	54	49	39	20												
3120	4120	4120	0	0	0	0	0	0	0												
3124	4124	4124	0	0	0	0	0	0	0												
3127	4127	4127	148	142	148	146	150	120	120												
3128	4128	4128	0	0	110	115	0	0	0												
3129	4129	4129	0	0	0	0	0	0	0												
3130	4130	4130	25700	25700	25700	25700	25700	25700	25700												
3134	4134	4134	130	130	130	130	130	140	140												
3136	4136	4136	0	0	0	0	0	30	0												
3138	4138	4138	0	0	0	0	0	835	0												
3139	4139	4139	0	0	0	0	0	100	0												
3140	4140	4140	0	0	0	0	0	835	0												
3141	4141	4141	0	0	0	0	0	0	0												
3142	4142	4142	0	0	0	0	0	6000	0												
3143	4143	4143	0	0	0	0	0	7500	0												
3144	4144	4144	0	0	0	0	0	0	0												
3145	4145	4145	0	0	0	0	0	25	0												
3146	4146	4146	0	0	0	0	0	823	0												
3147	4147	4147	0	0	0	0	0	239	0												
3148	4148	4148	0	0	0	0	0	200	0												
3149	4149	4149	0	0	0	0	0	215	0												
3150	4150	4150	0	0	0	0	0	0	0												
3151	4151	4151	0	0	0	0	0	100	0												
3152	4152	4152	0	0	0	0	0	6532	0												
3153	4153	4153	0	0	0	0	0	105	0												
3154	4154	4154	0	0	0	0	0	105	0												
3155	4155	4155	0	0	0	0	0	0	0												
3156	4156	4156	0	0	0	0	0	0	0												
3158	4158	4158	0	0	0	0	0	0	0												
3159	4159	4159	0	0	0	0	0	0	0												
3161	4161	4161	0	0	0	0	0	25700	0												
3165	4165	4165	0	0	0	0	0	20	0												
3166	4166	4166	0	0	0	0	0	72	0												
3169	4169	4169	0	0	0	0	0	0	0												
Maximum output during acceleration (for PS selection)	22.2kW			31.2kW			44.4kW			54kW			90kW			117kW			117kW		
Motor model (old name)	α15/7000HV <i>i</i>			α22/7000HV <i>i</i>			α30/6000HV <i>i</i>			α40/6000HV <i>i</i>			α60/4500HV <i>i</i>			α100/4000HV <i>i</i>			α100/4000HV <i>i</i>		
Applicable amplifier (old name)	SPM-30HV <i>i</i>			SPM-30HV <i>i</i>			SPM-45HV <i>i</i>			SPM-45HV <i>i</i>			SPM-75HV <i>i</i>			SPM-75HV <i>i</i>			SPM-75HV <i>i</i>		

(*2) When using the SDT signal, manually change the parameters that were automatically set.

(*4) This setting is used when only a low-speed winding is connected without the output range being switched in the output range switching motor.

C.6 SPINDLE MOTOR $\alpha i I_P$ series (400V)

Motor model			$\alpha i I_P$ 15/6000HV	$\alpha i I_P$ 22/6000HV	$\alpha i I_P$ 40/6000HV	$\alpha i I_P$ 50/6000HV
Applicable amplifier			αi SP15HV	αi SP30HV	αi SP30HV	αi SP30HV
Model code			—	—	418	—
Applicable software series and edition			—	—	9D50/F_9D70/A	—
Low-speed winding characteristics			5/9kW 500/1500min ⁻¹	7.5/15kW 500/1500min ⁻¹	13/22kW 400/1500min ⁻¹	22/30kW 575/1500min ⁻¹
High-speed winding characteristics			7.5/9kW 750/6000min ⁻¹	11/15kW 750/6000min ⁻¹	18.5/22kW 575/6000min ⁻¹	22/30kW 1200/6000min ⁻¹
FS15i	FS16i	FS30i				
3007	4007	4007	00000000	00000000	00000000	00000000
3008	4008	4008	00000000	00010000	00000000	00000000
3009	4009	4009	00000000	00000000	00000000	00000000
3010	4010	4010	00000000	00000000	00000000	00000000
3011	4011	4011	00011010	00001010	00011010	00011010
3012	4012	4012	10000010	10000010	10000000	10000010
3013	4013	4013	00001100	01010000	01010000	01010000
3019	4019	4019	00000100	00000100	00000100	00000100
3020	4020	4020	6000	6000	6000	6000
3023	4023	4023	125	125(*2)	96(*2)	167
3039	4039	4039	0	0	0	0
3040	4040	4040				
3041	4041	4041				
3048	4048	4048				
3049	4049	4049				
3080	4080	4080	95	75	73	80
3083	4083	4083	30	30	30	30
3093	4093	4093	216	240	203	164
3100	4100	4100	760	760	600	1120
3101	4101	4101	90	88	100	100
3102	4102	4102	1460	1240	889	1356
3103	4103	4103	60	0	75	85
3104	4104	4104	5000	5000	6400	6000
3105	4105	4105	0	0	0	0
3106	4106	4106	12000	15000	6400	16000
3107	4107	4107	0	0	0	0
3108	4108	4108	0	0	0	0
3109	4109	4109	25	25	25	25
3110	4110	4110	1384	1355	1098	838
3111	4111	4111	330	382	304	225
3112	4112	4112	200	200	200	200
3113	4113	4113	260	334	180	201
3114	4114	4114	0	20480	20480	0
3115	4115	4115	100	100	100	100
3116	4116	4116	4600	4500	6043	6202
3117	4117	4117	90	90	90	90
3118	4118	4118	100	90	90	100
3119	4119	4119	37	29	53	48
3120	4120	4120	0	0	0	0
3124	4124	4124	0	0	0	0
3127	4127	4127	144	164	143	164
3128	4128	4128	103	105	115	104
3129	4129	4129	0	0	0	0
3130	4130	4130	25700	25700	25700	25700
3134	4134	4134	130	130	130	130
3136	4136	4136	30	30	30	30
3138	4138	4138	530	500	430	699
3139	4139	4139	75	60	100	95
3140	4140	4140	726	717	661	699
3141	4141	4141	75	0	60	95
3142	4142	4142	10000	8500	8600	10000
3143	4143	4143	28000	19000	8600	24000
3144	4144	4144	0	0	0	0
3145	4145	4145	25	25	25	25
3146	4146	4146	1934	2357	2514	1374
3147	4147	4147	465	620	726	395
3148	4148	4148	200	200	200	200
3149	4149	4149	330	332	185	188
3150	4150	4150	0	23040	23040	0
3151	4151	4151	100	100	100	100
3152	4152	4152	5167	5542	6040	6203
3153	4153	4153	90	90	90	90
3154	4154	4154	100	90	90	100
3155	4155	4155	0	0	0	0
3156	4156	4156	0	0	0	0
3158	4158	4158	0	0	0	120
3159	4159	4159	0	0	0	0
3161	4161	4161	25700	25700	25700	25700
3165	4165	4165	29	29	52	51
3166	4166	4166	80	85	65	63
3169	4169	4169	0	0	0	0
Maximum output during acceleration (for PS selection)			13.5kW	20kW	29.0kW	35.4kW
Motor model (old name)			$\alpha 15/6000HV_i P$	$\alpha 22/6000HV_i P$	$\alpha 40/6000HV_i P$	$\alpha 50/6000HV_i P$
Applicable amplifier (old name)			SPM-15HV _i	SPM-30HV _i	SPM-30HV _i	SPM-30HV _i

(*2) When using the SDT signal, manually change the parameters that were automatically set.

C.7 SPINDLE MOTOR αiIτ series (400V)

Motor model	αi Iτ 1.5/15000HV	αi Iτ 3/12000HV	αi Iτ 6/12000HV	αi Iτ 6/12000HV(*4)	αi Iτ 8/12000HV	αi Iτ 8/12000HV(*4)	αi Iτ 8/15000HV	αi Iτ 8/15000HV(*4)
Applicable amplifier	αi SP15HV	αi SP11HV	αi SP15HV	αi SP15HV	αi SP15HV	αi SP15HV	αi SP30HV	αi SP30HV
Model code	—	—	—	—	—	—	—	—
Applicable software series and edition	—	—	—	—	—	—	—	—
Low-speed winding characteristics	—	—	5.5/7.5kW 1500/12000min ⁻¹	5.5/7.5kW 1500/12000min ⁻¹	7.5/11kW 1500/12000min ⁻¹	7.5/11kW 1500/12000min ⁻¹	7.5/11/15kW 1500/4000min ⁻¹	7.5/11/15kW 1500/4000min ⁻¹
High-speed winding characteristics	1.5/2.2kW 3000/15000min ⁻¹	3.7/5.5kW 1500/12000min ⁻¹	5.5/7.5kW 4000/12000min ⁻¹	—	7.5/11kW 4000/12000min ⁻¹	—	7.5/11/15kW 4000/15000min ⁻¹	—
FS15i	FS16i	FS30i						
3007	4007	4007	00000000	00000000	00000000	00000000	00000000	00000000
3008	4008	4008	00000000	00000000	00000000	00000000	00000000	00000000
3009	4009	4009	00000000	00000000	00000000	00000000	00000000	00000000
3010	4010	4010	00000001	00000001	00000001	00000001	00000001	00000001
3011	4011	4011	00011001	00011001	00011010	00011010	00011010	00011010
3012	4012	4012	10000010	10000010	10000010	10000010	10000010	10000010
3013	4013	4013	00001100	00001100	00001100	00001100	00001100	00001100
3019	4019	4019	00000100	00000100	00000100	00000100	00000100	00000100
3020	4020	4020	15000	12000	12000	12000	15000	4000
3023	4023	4023			333(*2)		267(*2)	
3039	4039	4039	0	0	0	0	0	0
3040	4040	4040					6(*3)	4(*3)
3041	4041	4041				6(*3)		4(*3)
3048	4048	4048				6(*3)		4(*3)
3049	4049	4049				6(*3)		4(*3)
3080	4080	4080	9045	90	96	19807	9050	14938
3083	4083	4083	10	30	30	30	30	30
3093	4093	4093	0	0	164	0	176	0
3100	4100	4100	3500	1550	4030	1570	3750	1550
3101	4101	4101	33	82	51	67	85	81
3102	4102	4102	7257	2864	4526	2475	3798	1957
3103	4103	4103	80	90	67	68	89	74
3104	4104	4104	3500	4000	2700	4600	3800	7000
3105	4105	4105	0	0	0	0	0	0
3106	4106	4106	3500	14000	7000	12000	10000	18000
3107	4107	4107	0	0	0	0	0	0
3108	4108	4108	0	0	0	0	0	0
3109	4109	4109	25	25	25	25	25	25
3110	4110	4110	1005	559	862	1508	569	838
3111	4111	4111	233	190	190	360	100	186
3112	4112	4112	200	200	200	200	200	200
3113	4113	4113	2000	850	750	730	950	1000
3114	4114	4114	0	0	19200	19200	0	0
3115	4115	4115	100	100	100	100	100	100
3116	4116	4116	9815	7377	8202	8202	8736	8737
3117	4117	4117	90	90	90	90	90	90
3118	4118	4118	100	110	90	100	90	90
3119	4119	4119	5	11	13	13	10	266
3120	4120	4120	0	0	0	0	0	0
3124	4124	4124	0	0	0	0	0	0
3127	4127	4127	176	178	164	164	176	176
3128	4128	4128	90	0	105	113	0	105
3129	4129	4129	0	0	0	0	0	0
3130	4130	4130	25700	25700	25700	25700	25700	25700
3134	4134	4134	110	110	130	130	130	130
3136	4136	4136	0	0	30	0	0	30
3138	4138	4138	0	0	1570	0	1550	0
3139	4139	4139	0	0	67	0	84	0
3140	4140	4140	0	0	2475	0	1957	0
3141	4141	4141	0	0	68	0	74	0
3142	4142	4142	0	0	4600	0	7000	0
3143	4143	4143	0	0	12000	0	18000	0
3144	4144	4144	0	0	0	0	0	0
3145	4145	4145	0	0	25	0	25	0
3146	4146	4146	0	0	1508	0	838	0
3147	4147	4147	0	0	360	0	186	0
3148	4148	4148	0	0	200	0	200	0
3149	4149	4149	0	0	730	0	1000	0
3150	4150	4150	0	0	19200	0	0	0
3151	4151	4151	0	0	100	0	100	0
3152	4152	4152	0	0	8202	0	8737	0
3153	4153	4153	0	0	90	0	90	0
3154	4154	4154	0	0	100	0	90	0
3155	4155	4155	0	0	0	0	0	0
3156	4156	4156	0	0	0	0	0	0
3158	4158	4158	0	0	113	0	0	106
3159	4159	4159	0	0	0	0	0	0
3161	4161	4161	0	0	25700	0	25700	0
3165	4165	4165	0	0	13	0	266	0
3166	4166	4166	0	0	19807	0	14938	0
3169	4169	4169	0	0	0	0	0	0
Maximum output during acceleration (for PS selection)	13kW	13kW	13kW	13kW	13.2kW	13.2kW	28kW	28kW
Motor model (old name)	α1.5/15000HVιτ	α3/12000HVιτ	α6/12000HVιτ	α6/12000HVιτ	α8/12000HVιτ	α8/12000HVιτ	α8/15000HVιτ	α8/15000HVιτ
Applicable amplifier (old name)	SPM-15HVι	SPM-11HVι	SPM-15HVι	SPM-15HVι	SPM-15HVι	SPM-15HVι	SPM-30HVι	SPM-30HVι

- (*2) When using the SDT signal, manually change the parameters that were automatically set.
- (*3) Set this value as the initial value of the velocity loop gain for low-speed characteristics of speed range switching.
- (*4) This setting is used when only a low-speed winding is connected without the output range being switched in the output range switching motor.

C.8 SPINDLE MOTOR αi IL series (400V)

Motor model			αi IL 8/20000HV	αi IL 15/15000HV	αi IL 26/15000HV
Applicable amplifier			αi SP45HV	αi SP45HV	αi SP45HV
Model code			—	—	—
Applicable software series and edition			—	—	—
Low-speed winding characteristics			11/15kW 1150/4000min ⁻¹	18.5/22kW 1400/4000min ⁻¹	15/22kW 700/2000min ⁻¹
High-speed winding characteristics			15/18.5kW 5000/20000min ⁻¹	18.5/22kW 6000/15000min ⁻¹	26/30kW 2000/15000min ⁻¹
FS15i	FS16i	FS30i			
3007	4007	4007	00000000	00000000	00000000
3008	4008	4008	00000000	00000000	00000000
3009	4009	4009	00000000	00000000	00000000
3010	4010	4010	00000001	00000001	00000001
3011	4011	4011	00011001	00011001	00011001
3012	4012	4012	10000010	10000010	10000010
3013	4013	4013	01010000	01010000	01010000
3019	4019	4019	00000100	00000100	00000100
3020	4020	4020	20000	15000	15000
3023	4023	4023	200(*2)	267(*2)	100
3039	4039	4039	0	0	0
3040	4040	4040			
3041	4041	4041	3(*3)	5(*3)	7(*3)
3048	4048	4048			
3049	4049	4049	3(*3)	5(*3)	7(*3)
3080	4080	4080	95	19792	14165
3083	4083	4083	30	30	30
3093	4093	4093	164	143	176
3100	4100	4100	5050	5500	2030
3101	4101	4101	53	44	79
3102	4102	4102	6274	5335	2633
3103	4103	4103	0	94	95
3104	4104	4104	3400	2300	3500
3105	4105	4105	0	0	0
3106	4106	4106	5000	2600	5500
3107	4107	4107	0	0	0
3108	4108	4108	0	0	0
3109	4109	4109	25	25	25
3110	4110	4110	862	1437	1508
3111	4111	4111	255	456	475
3112	4112	4112	200	200	200
3113	4113	4113	907	320	390
3114	4114	4114	0	0	0
3115	4115	4115	100	90	100
3116	4116	4116	9345	8423	4525
3117	4117	4117	90	90	90
3118	4118	4118	90	90	90
3119	4119	4119	523	30	24
3120	4120	4120	0	0	0
3124	4124	4124	0	0	0
3127	4127	4127	148	143	138
3128	4128	4128	112	95	98
3129	4129	4129	0	0	0
3130	4130	4130	25700	25700	25700
3134	4134	4134	130	130	130
3136	4136	4136	30	30	30
3138	4138	4138	1320	1480	810
3139	4139	4139	88	92	77
3140	4140	4140	3163	2777	1248
3141	4141	4141	0	0	0
3142	4142	4142	7000	4800	6500
3143	4143	4143	10000	5200	12000
3144	4144	4144	0	0	0
3145	4145	4145	25	25	25
3146	4146	4146	1207	2011	2011
3147	4147	4147	375	632	639
3148	4148	4148	200	200	200
3149	4149	4149	1140	380	450
3150	4150	4150	0	0	0
3151	4151	4151	100	100	100
3152	4152	4152	12110	9785	4525
3153	4153	4153	90	90	85
3154	4154	4154	90	90	85
3155	4155	4155	0	0	0
3156	4156	4156	0	0	0
3158	4158	4158	123	0	0
3159	4159	4159	0	0	0
3161	4161	4161	25700	25700	25700
3165	4165	4165	8	10	21
3166	4166	4166	95	14180	60
3169	4169	4169	0	0	0
Maximum output during acceleration (for PS selection)			48kW	48kW	50kW
Motor model (old name)			$\alpha 8/20000HV iL$	$\alpha 15/15000HV iL$	—
Applicable amplifier (old name)			SPM-45HV <i>i</i>	SPM-45HV <i>i</i>	—

(*2) When using the SDT signal, manually change the parameters that were automatically set.

(*3) Set this value as the initial value of the velocity loop gain for low-speed characteristics of speed range switching.

C.9 SPINDLE MOTOR βiI series

Motor model	βi I 3/10000	βi I 3/10000	βi I 3/10000	βi I 3/10000	βi I 6/10000	βi I 6/10000
Applicable amplifier	βi SVSPx-5.5 TYPE A	βi SVSPx-7.5 TYPE D	βi SVSPx-11 TYPE A,D	βi SVSPx-15 TYPE A,D	βi SVSPx-11 TYPE A,D	βi SVSPx-15 TYPE A,D
Model code	332	336	337	338	333	339
Applicable software series and edition	9D50/I	9D50/U	9D50/Q	9D50/Q	9D50/I	9D50/Q
Continuous rated characteristics	3.7kW	3.7kW	3.7kW	3.7kW	5.5kW	5.5kW
	2000/10000min ⁻¹	2000/10000min ⁻¹	2000/10000min ⁻¹	2000/10000min ⁻¹	2000/10000min ⁻¹	2000/10000min ⁻¹
15-min. rated characteristics	5.5kW	5.5kW	5.5kW	5.5kW	7.5kW	7.5kW
	1500/10000min ⁻¹	1500/10000min ⁻¹	1500/10000min ⁻¹	1500/10000min ⁻¹	1500/10000min ⁻¹	1500/10000min ⁻¹
FS0i						
4007	00000000	←	←	←	00000000	←
4008	00000000	←	←	←	00000000	←
4009	00000000	←	←	←	00000000	←
4010	00010000	←	←	←	00010000	←
4011	00011001	←	←	←	00011001	←
4012	10000000	←	←	←	10000000	←
4013	00001100	←	←	←	00001100	←
4019	00000100	←	←	←	00000100	←
4020	10000	←	←	←	10000	←
4023						
4039	0	←	←	←	0	←
4040						
4041						
4048						
4049						
4080	13412	←	←	←	14170	←
4083	30	←	←	←	30	←
4093	0	←	←	←	0	←
4100	1700	←	←	←	1550	←
4101	90	←	←	←	90	←
4102	2154	←	←	←	2621	←
4103	72	←	←	←	58	←
4104	2500	←	←	←	2000	←
4105	0	←	←	←	0	←
4106	6600	←	←	←	5500	←
4107	0	←	←	←	0	←
4108	0	←	←	←	0	←
4109	25	←	←	←	25	←
4110	718	1149	1436	2154	520	780
4111	318	←	←	←	208	←
4112	200	←	←	←	200	←
4113	850	←	←	←	800	←
4114	21760	←	←	←	0	←
4115	100	←	←	←	100	←
4116	7978	←	←	←	7395	←
4117	90	←	←	←	90	←
4118	100	←	←	←	100	←
4119	11	←	←	←	12	←
4120	0	←	←	←	0	←
4124	0	←	←	←	0	←
4127	164	←	←	←	150	←
4128	120	←	←	←	115	←
4129	0	←	←	←	0	←
4130	25700	←	←	←	25700	←
4134	110	←	←	←	110	←
4136	0	←	←	←	0	←
4138	0	←	←	←	0	←
4139	0	←	←	←	0	←
4140	0	←	←	←	0	←
4141	0	←	←	←	0	←
4142	0	←	←	←	0	←
4143	0	←	←	←	0	←
4144	0	←	←	←	0	←
4145	0	←	←	←	0	←
4146	0	←	←	←	0	←
4147	0	←	←	←	0	←
4148	0	←	←	←	0	←
4149	0	←	←	←	0	←
4150	0	←	←	←	0	←
4151	0	←	←	←	0	←
4152	0	←	←	←	0	←
4153	0	←	←	←	0	←
4154	0	←	←	←	0	←
4155	0	←	←	←	0	←
4156	0	←	←	←	0	←
4158	0	←	←	←	0	←
4159	0	←	←	←	0	←
4161	0	←	←	←	0	←
4165	0	←	←	←	0	←
4166	0	←	←	←	0	←
4169	0	←	←	←	0	←
Maximum output during acceleration (for PS selection)	6.1kW	6.1kW	6.1kW	6.1kW	8.3kW	8.3kW
Motor model (old name)	β3/10000i	β3/10000i	β3/10000i	β3/10000i	β6/10000i	β6/10000i
Applicable amplifier (old name)	SVPMx-5.5i	-	SVPMx-11i	SVPMx-15i	SVPMx-11i	SVPMx-15i

Motor model	β i I 8/8000	β i I 8/8000	β i I 8/10000	β i I 8/10000	β i I 12/7000	β i I 12/8000
Applicable amplifier	β i SVSPx-11 TYPE A,D	β i SVSPx-15 TYPE A,D	β i SVSPx-11 TYPE A,D	β i SVSPx-15 TYPE A,D	β i SVSPx-15 TYPE A,D	β i SVSPx-15 TYPE A,D
Model code	334	340	341	342	335	343
Applicable software series and edition	9D50/I	9D50/Q	9D50/Q	9D50/Q	9D50/I	9D50/Q
Continuous rated characteristics	7.5kW	7.5kW	7.5kW	7.5kW	11kW	11kW
	2000/8000min ⁻¹	2000/8000min ⁻¹	2000/10000min ⁻¹	2000/10000min ⁻¹	2000/7000min ⁻¹	2000/8000min ⁻¹
15-min. rated characteristics	11kW	11kW	11kW	11kW	15kW	15kW
	1500/8000min ⁻¹	1500/8000min ⁻¹	1500/10000min ⁻¹	1500/10000min ⁻¹	1500/7000min ⁻¹	1500/8000min ⁻¹
FS0;						
4007	00000000				00000000	
4008	00000000				00000000	
4009	00000000				00000000	
4010	00010000				00010000	
4011	00011010				00011010	
4012	10000000				10000000	
4013	00001100				00001100	
4019	00000100				00000100	
4020	8000		10000		7000	8000
4023						
4039	0				0	
4040						
4041						
4048						
4049						
4080	75				60	
4083	30				30	
4093	0				0	
4100	1500				1550	
4101	95				82	
4102	2602				1844	
4103	64				80	
4104	2000				3000	
4105	0				0	
4106	6000				8000	
4107	0				0	
4108	0				0	
4109	25				25	
4110	887	1331	887	1331	1031	
4111	381				355	
4112	200				200	
4113	500				705	
4114	0				23040	
4115	100				100	
4116	8000				6300	
4117	90				90	
4118	100				100	
4119	19				14	
4120	0				0	
4124	0				0	
4127	161				150	
4128	78				95	
4129	0				0	
4130	25700				25700	
4134	110				110	
4136	0				0	
4138	0				0	
4139	0				0	
4140	0				0	
4141	0				0	
4142	0				0	
4143	0				0	
4144	0				0	
4145	0				0	
4146	0				0	
4147	0				0	
4148	0				0	
4149	0				0	
4150	0				0	
4151	0				0	
4152	0				0	
4153	0				0	
4154	0				0	
4155	0				0	
4156	0				0	
4158	0				0	
4159	0				0	
4161	0				0	
4165	0				0	
4166	0				0	
4169	0				0	
Maximum output during acceleration (for PS selection)	12.1kW	12.1kW	12.1kW	12.1kW	16.5kW	16.5kW
Motor model (old name)	β 8/8000i	β 8/8000i	β 8/10000i	β 8/10000i	β 12/7000i	β 12/8000i
Applicable amplifier (old name)	SVPMx-11i	SVPMx-15i	SVPMx-11i	SVPMx-15i	SVPMx-15i	SVPMx-15i

C.10 SPINDLE MOTOR $\beta i P$ series

Motor model	$\beta i P$ 8/6000	$\beta i P$ 15/6000	$\beta i P$ 15/6000	$\beta i P$ 18/6000	$\beta i P$ 18/6000
Applicable amplifier	βi SVSPx-7.5 TYPE D	βi SVSPx-11 TYPE D	βi SVSPx-15 TYPE A,D	βi SVSPx-11 TYPE D	βi SVSPx-15 TYPE A,D
Model code	—	350	351	353	352
Applicable software series and edition	—	9D50/U	9D50/Q	9D50/U	9D50/Q
Continuous rated characteristics	3.7kW 1000/6000min ⁻¹	7.5kW 1200/6000min ⁻¹	7.5kW 1200/6000min ⁻¹	9kW 1000/6000min ⁻¹	9kW 1000/6000min ⁻¹
15-min. rated characteristics	5.5kW 800/6000min ⁻¹	9kW 750/6000min ⁻¹	9kW 750/6000min ⁻¹	11kW 750/6000min ⁻¹	11kW 750/6000min ⁻¹
F50i					
4007	00000000	00000000	←	00000000	←
4008	00010000	00010000	←	00010000	←
4009	00000000	00000000	←	00000000	←
4010	00010000	00010000	←	00010000	←
4011	00001010	00001010	←	00001010	←
4012	10000000	10000000	←	10000000	←
4013	00001100	00001100	←	00001100	←
4019	00000100	00000100	←	00000100	←
4020	6000	6000	←	6000	←
4023					
4039	0	0	←	0	←
4040					
4041					
4048					
4049					
4080	16474	20575	←	21845	←
4083	30	30	←	30	←
4093	0	0	←	0	←
4100	800	750	←	750	←
4101	65	79	←	79	←
4102	1345	1566	←	1191	←
4103	0	0	←	0	←
4104	4500	2000	←	3000	←
4105	0	0	←	0	←
4106	7500	7000	←	7000	←
4107	0	0	←	0	←
4108	0	0	←	0	←
4109	25	25	←	25	←
4110	1106	943	1414	793	1190
4111	503	503	←	410	←
4112	200	200	←	200	←
4113	730	228	←	268	←
4114	23552	0	←	0	←
4115	100	100	←	100	←
4116	6255	5307	←	4194	←
4117	90	90	←	90	←
4118	100	100	←	100	←
4119	13	42	←	36	←
4120	0	0	←	0	←
4124	0	0	←	0	←
4127	164	132	←	134	←
4128	110	90	←	105	←
4129	0	0	←	0	←
4130	25700	25700	←	25700	←
4134	110	130	←	130	←
4136	0	0	←	0	←
4138	0	0	←	0	←
4139	0	0	←	0	←
4140	0	0	←	0	←
4141	0	0	←	0	←
4142	0	0	←	0	←
4143	0	0	←	0	←
4144	0	0	←	0	←
4145	0	0	←	0	←
4146	0	0	←	0	←
4147	0	0	←	0	←
4148	0	0	←	0	←
4149	0	0	←	0	←
4150	0	0	←	0	←
4151	0	0	←	0	←
4152	0	0	←	0	←
4153	0	0	←	0	←
4154	0	0	←	0	←
4155	0	0	←	0	←
4156	0	0	←	0	←
4158	0	0	←	0	←
4159	0	0	←	0	←
4161	0	0	←	0	←
4165	0	0	←	0	←
4166	0	0	←	0	←
4169	0	0	←	0	←
Maximum output during acceleration (for FS selection)	6.1kW	9.9kW	9.9kW	12.1kW	12.1kW
Motor model (old name)	—	—	—	—	—
Applicable amplifier (old name)	—	—	—	—	—

C.11 SPINDLE MOTOR αCi series

Motor model		$\alpha C1/6000i$	$\alpha C2/6000i$	$\alpha C3/6000i$	$\alpha C6/6000i$	$\alpha C8/6000i$	$\alpha C12/6000i$	$\alpha C15/6000i$
Applicable amplifier		SPMC-2.2i	SPMC-5.5i	SPMC-5.5i	SPMC-11i	SPMC-11i	SPMC-15i	SPMC-22i
Model code (Applicable software series and edition)		240 (9D60/C)	241 (9D60/C)	242 (9D60/C)	243 (9D60/C)	244 (9D60/C)	245 (9D60/C)	246 (9D60/C)
Output specification		1.5/2.2 kW 3000/6000 min ⁻¹	2.2/3.7 kW 1500/6000 min ⁻¹	3.7/5.5 kW 1500/6000 min ⁻¹	5.5/7.5 kW 1500/6000 min ⁻¹	7.5/11 kW 1500/6000 min ⁻¹	11/15 kW 1500/6000 min ⁻¹	15/18.5 kW 1500/6000 min ⁻¹
Parameter number								
FS15i	FS16i							
3001	4001	00000001	00000001	00000001	00000001	00000001	00000001	00000001
3002	4002	00000000	00000000	00000000	00000000	00000000	00000000	00000000
3010	4010	00000000	00000000	00000000	00000000	00000000	00000000	00000000
3011	4011	00011000	00011000	00011000	00011000	00011000	00011000	00011000
3012	4012	00000000	00000000	00000000	00000000	00000000	00000000	00000000
3013	4013	00001100	00001100	00001100	00001100	00001100	01010000	01010000
3019	4019	00000000	00000000	00000000	00000000	00000000	00000000	00000000
3020	4020	6000	6000	6000	6000	6000	6000	6000
3040,3041	4040,4041	50	60	90	50	60	150	120
3042~3045	4042~4045	100	100	150	100	100	250	200
3048,3049	4048,4049	360	240	360	200	240	600	480
3050~3053	4050~4053	600	400	600	400	400	1000	800
3080	4080	90	75	100	80	100	100	100
3083	4083	60	60	60	60	60	60	60
3100	4100	3300	1700	1800	1700	1900	1700	1500
3101	4101	100	100	100	100	100	100	100
3102	4102	4000	2600	1800	2500	1900	1700	1750
3103	4103	91	87	86	73	96	89	53
3104	4104	1300	500	800	400	600	600	500
3105	4105	100	30	30	20	20	15	10
3106	4106	200	200	200	400	200	100	200
3107	4107	1000	800	800	800	800	1000	600
3108	4108	200	200	200	200	200	200	500
3109	4109	25	25	25	25	25	25	25
3110	4110	629	503	419	686	539	808	862
3111	4111	75	188	147	244	202	252	262
3112	4112	200	200	200	200	200	200	200
3113	4113	2439	1192	1077	690	819	311	304
3114	4114	0	0	0	0	0	0	0
3115	4115	100	100	100	100	100	100	100
3116	4116	10494	10580	9938	8803	8118	5000	5177
3117	4117	90	90	32090	90	32090	32090	32090
3118	4118	100	100	110	100	110	110	110
3119	4119	4	8	9	14	12	31	31
3120	4120	15	15	15	15	15	50	50
3124	4124	0	0	0	0	0	0	0
3127	4127	176	202	178	164	176	164	148
3128	4128	0	0	0	0	0	0	0
3129	4129	0	0	0	0	0	0	0
3130	4130	100	100	100	100	100	100	100
3131	4131	5220	12900	12900	12900	10355	5235	5235
3134	4134	110	110	110	130	130	130	130
Maximum output during acceleration (for PS selection)		2.64kW	4.44kW	6.6kW	9.0kW	13.2kW	18.0kW	22.2kW

D

LISTS OF ALARMS/STATE ERRORS

D.1 LIST OF SPINDLE ALARMS

This section provides a list of spindle alarms. For details of the alarms and actions to be taken, refer to Part II, “TROUBLESHOOTING”, in “FANUC SERVO MOTOR α i series MAINTENANCE MANUAL (B-65285EN)”.

Alarm No.			LED display		Description
15i	16i	30i	SP	PS	
SP097x	749	SP12xx	A		Program ROM error
SP097x	749	SP12xx	A1		Program ROM error
SP097x	749	SP12xx	A2		Program ROM error
SP0001	9001	SP9001	01		Motor overheat
SP0002	9002	SP9002	02		Excessive velocity error
SP0003	9003	SP9003	03		DC link fuse blown
SP0004	9004	SP9004	04	E	Open phase in the converter main power supply
SP0006	9006	SP9006	06		Temperature sensor disconnected
SP0007	9007	SP9007	07		Overspeed
SP0009	9009	SP9009	09		Main circuit overload/IPM overheat
SP0010	9010	SP9010	10		Low power supply input voltage
SP0011	9011	SP9011	11	7	Converter: DC link overvoltage
SP0012	9012	SP9012	12		DC link overcurrent/IPM alarm
SP0014	9014	SP9014	14		Amplifier ID not registered
SP098x	750	SP12xx	13		CPU internal data memory error
SP0015	9015	SP9015	15		Speed range switching/spindle switching alarm
	9016	SP9016	16		RAM error
SP0017	9017	SP9017	17		Amplifier ID data error
SP098x	750	SP12xx	18		Program sum check error
SP098x	750	SP12xx	19		Excessive offset of the phase U current detection circuit
SP098x	750	SP12xx	20		Excessive offset of the phase V current detection circuit
SP0021	9021	SP9021	21		Position sensor polarity setting incorrect
SP0022	9022	SP9022	22		Spindle amplifier current overload
SP022x	749	SP12xx	24		Serial communication error
SP0027	9027	SP9027	27		Position coder disconnected
SP0029	9029	SP9029	29		Short-time overload
SP0030	9030	SP9030	30	1	Overcurrent in the converter input circuit
SP0031	9031	SP9031	31		Motor lock alarm
SP0032	9032	SP9032	32		Serial communication LSI RAM error
SP0033	9033	SP9033	33	5	Converter: DC link precharge failure
SP0034	9034	SP9034	34		Parameter data out of the specifiable range
SP0035	9035	SP9035	35		Gear ratio parameter error
SP0036	9036	SP9036	36		Error counter overflow
SP0037	9037	SP9037	37		Speed detector parameter error
SP0041	9041	SP9041	41		Position coder one-rotation signal detection error
SP0042	9042	SP9042	42		Position coder one-rotation signal not detected
SP0043	9043	SP9043	43		Position coder signal for differential speed mode disconnected
SP0046	9046	SP9046	46		Position sensor one-rotation signal detection error during thread cutting
SP0047	9047	SP9047	47		Position coder signal error
SP0049	9049	SP9049	49		Overflow of converted motor speed for differential spindle speed control

Alarm No.			LED display		Description
15i	16i	30i	SP	PS	
SP0050	9050	SP9050	50		Excessive speed command calculation value during spindle synchronous control
SP0051	9051	SP9051	51	4	Converter: DC link low voltage
SP0052	9052	SP9052	52		ITP signal error I
SP0053	9053	SP9053	53		ITP signal error II
SP0054	9054	SP9054	54		Current overload alarm
SP0055	9055	SP9055	55		Abnormal switching status of power leads
SP0056	9056	SP9056	56		Internal cooling fan stopped
SP0057	9057	SP9057	57	H	Converter: excessive deceleration power
SP0058	9058	SP9058	58	3	Converter: main circuit overload
SP0059	9059	SP9059	59	2	Converter: cooling fan stopped
SP0061	9061	SP9061	61		Excessive semi-closed loop/closed loop position error alarm
SP0065	9065	SP9065	65		Abnormal travel distance in magnetic pole determination operation
SP0066	9066	SP9066	66		Communication alarm between SPM's
SP0067	9067	SP9067	67		Reference position return command in the EGB mode
	9069	SP9069	69		Safety speed exceeded
	9070	SP9070	70		Abnormal axis data
	9071	SP9071	71		Abnormal safety parameter
	9072	SP9072	72		Motor speed mismatch
SP0073	9073	SP9073	73		Motor sensor disconnected
	9074	SP9074	74		CPU test alarm
	9075	SP9075	75		CRC test alarm
	9076	SP9076	76		Safety function not executed
	9077	SP9077	77		Axis number mismatch
	9078	SP9078	78		Safety parameter mismatch
	9079	SP9079	79		Abnormal initial test operation
SP0080	9080	SP9080	80		Destination amplifier error in inter-spindle amplifier communication
SP0081	9081	SP9081	81		Motor sensor one-rotation signal detection error
SP0082	9082	SP9082	82		Motor sensor one-rotation signal not detected
SP0083	9083	SP9083	83		Motor sensor signal error
SP0084	9084	SP9084	84		Spindle sensor disconnected
SP0085	9085	SP9085	85		Spindle sensor one-rotation signal detection error
SP0086	9086	SP9086	86		Spindle sensor one-rotation signal not detected
SP0087	9087	SP9087	87		Spindle sensor signal error
SP0088	9088	SP9088	88		Cooling fan stopped of the radiator
SP0089	9089	SP9089	89		Sub module SM (SSM) error
SP0090	9090	SP9090	90		Unexpected rotation alarm
SP0091	9091	SP9091	91		Pole position count miss alarm
SP0092	9092	SP9092	92		Velocity command-dependent <i>overspeed alarm</i>
SP0110	9110	SP9110	b0		Communication error between amplifier modules
SP0111	9111	SP9111	b1	6	Converter: control power supply low voltage
SP0112	9112	SP9112	b2	8	Converter: excessive regenerative power
SP0113	9113	SP9113	b3	A	Converter: cooling fan stopped of the radiator
SP0120	9120	SP9120	C0		Communication data alarm
SP0121	9121	SP9121	C1		Communication data alarm
SP0122	9122	SP9122	C2		Communication data alarm
SP0123	9123	SP9123	C3		Spindle switch circuit error
SP0126	9126	SP9126	C6		Spindle speed exceeded

Alarm No.			LED display		Description
15i	16i	30i	SP	PS	
SP0128	9128	SP9128	C8		Excessive speed deviation alarm on spindle synchronous control
SP0129	9129	SP9129	C9		Excessive positional deviation alarm on spindle synchronous control
SP0130	9130	SP9130	d0		Speed polarity error in torque tandem operation
SP0131	9131	SP9131	d1		Spindle Tuning function alarm
SP0132	9132	SP9132	d2		Serial data error
SP0133	9133	SP9133	d3		Data transfer error
SP0134	9134	SP9134	d4		Soft phase alarm
		SP9135	d5		Safety speed zero monitoring error
		SP9136	d6		Safety speed zero monitoring mismatch
SP0137	9137	SP9137	d7		Device communication error
SP0139	9139	SP9139	d9		Pulse error alarm
SP0140	9140	SP9140	E0		Count error alarm
SP0141	9141	SP9141	E1		Serial sensor one-rotation signal not detected

D.2 LIST OF SPINDLE STATE ERRORS

When a parameter is set incorrectly or a sequence is incorrect, the error LED (yellow) on the indicator of the spindle amplifier (SP) is turned on, and an error code is displayed. The error is also displayed on the diagnosis screen of the CNC.

Diagnostic number			Content
FS15i	FS16i	FS30i	
1561	710 (1st spindle) 711 (2nd spindle) 730 (3rd spindle) 731 (4th spindle)	710	State error number

When the spindle motor malfunctions, check the error code and take action according to the table below.

Indication	Description of error state	Action
01	Although neither *ESP (emergency stop signal; there are two types of signals including the input signal and common power supply (PS) contact signal) nor MRDY (machine ready signal) is input, SFR (forward rotation signal)/SRV (reverse rotation signal)/ORCM (orientation command) is input.	Check the *ESP and MRDY sequence. For MRDY, pay attention to the parameter setting regarding the use of the MRDY signal (bit 0 of parameter No. 4001).
03	Although a parameter setting (bits 3,2,1,0 of No. 4002 = 0,0,0,0) is made to use no position sensor (to exercise no position control), the Cs contouring control command is input. In this case, the motor is not excited.	Check the parameter setting.
04	Although a parameter setting (bits 3,2,1,0 of No. 4002 = 0,0,0,0) is made to use no position sensor (to exercise no position control), a command for servo mode (such as rigid tapping and spindle positioning) or spindle synchronous control is input. In this case, the motor is not excited.	Check the parameter setting.
05	Although the option parameter of the orientation function is not set, the ORCM (orientation command) is input.	Check the parameter setting of the orientation function.
06	Although the option parameter of the speed range switching control function is not set, the low-speed characteristics winding is selected. (RCH=1)	Check the parameter setting of the speed range switching control function and also check the power line state check signal (RCH).
07	Although the Cs contour control command is specified, SFR(clockwise command) / SRV(counterclockwise command) is not input.	Check the sequence.
08	Although the servo mode (rigid tapping, spindle positioning, etc.) is specified, SFR(clockwise command) / SRV(counterclockwise command) is not input.	Check the sequence.
09	Although spindle synchronous control mode is specified, SFR(clockwise command) / SRV(counterclockwise command) is not input.	Check the sequence.

Indication	Description of error state	Action
10	Although Cs contour control mode is set, another mode (servo mode, spindle synchronous control, or orientation) is specified.	During execution of the C-axis control command, do not specify another mode. Before entering another mode, cancel the Cs contour control command.
11	Although servo mode (rigid tapping, or spindle positioning, etc.) is set, another mode (Cs contour control, spindle synchronous control, or orientation) is specified.	During execution of the servo mode command, do not specify another mode. Before entering another mode, cancel the servo mode.
12	Although spindle synchronous control is being performed, another mode (Cs contour control, servo mode, or orientation) is specified.	During execution of the spindle synchronous control command, do not specify another mode. Before entering another mode, cancel the spindle synchronous control command.
13	Although the orientation command is being executed, another mode (Cs contour control, servo mode, or spindle synchronous control) is specified.	During execution of the orientation command, do not specify another mode. Before entering another mode, cancel the orientation command.
14	The SFR(clockwise command) and SRV(counterclockwise command) signals are both input at the same time.	Input the SFR(clockwise command) or SRV(counterclockwise command)signal.
16	Although a parameter setting (bit 5 of parameter No. 4000 = 0) is made to use no differential spindle speed control function, DEFMD (differential speed mode command) is input.	Check the parameter setting and differential speed mode command.
17	Setting of the speed detector parameter (bits 2, 1, and 0 of parameter No. 4011) is invalid. The corresponding speed detector is not present.	Check the parameter setting.
18	Although a parameter setting (bits 3,2,1,0 of No. 4002 = 0,0,0,0) is made to use no position sensor (to exercise no position control), position coder method orientation is specified.	Check the parameter setting and input signal.
19	Although the magnetic sensor method orientation command is specified, another mode (Cs contouring control, servo mode, or spindle synchronous control) is specified.	During the execution of the orientation command, do not specify another mode. Before changing the mode to another mode, cancel the orientation command.
21	A tandem operation command was input when spindle synchronous control is enabled.	Input a tandem operation command after canceling spindle synchronous control.
22	Spindle synchronous control was specified when tandem operation is enabled.	Specify spindle synchronous control after canceling torque tandem operation.
23	A tandem operation command is input even if the option is not specified.	Torque tandem control requires the CNC software option. Check the option.
24	For successive indexing in position coder method orientation, an incremental operation (INCMD = 1) is first performed, then an absolute position command (INCMD = 0) is input.	Check INCMD (incremental command). When specifying the absolute position command successively, be sure to perform absolute position command orientation first.
26	Parameter settings are made to use both spindle switching and three stage speed range switching control.	Check the parameter settings and input signals.
29	Parameter settings for using the shortest time orientation function (bit 6 of No. 4018 = 0, No. 4320 to No. 4323 ≠ 0) are made.	The shortest time orientation function is unusable with the αi series spindle amplifier. Using optimum orientation function is recommended.

Indication	Description of error state	Action
30	The magnetic pole undetected state is set, but a command is input.	In the magnetic pole undetected state (EPFIXA = 0), the motor cannot be driven even if a command is input. Input a command in the magnetic pole detection completed state (EPFIXA = 1). While EPFSTR = 1 is set, a command is ignored even in the magnetic pole detection completed state, and this error is indicated. Upon completion of magnetic pole detection, set EPFSTR = 0.
31	The hardware configuration disables the use of the spindle FAD function. In this case, the motor is not excited.	Check the model of the CNC.
32	Although S0 is not specified for the speed mode, the parameter setting is made to enable the disturbance input function (bit 7 of parameter No. 4395 = 1).	Specify S0 for the speed mode before enabling the disturbance input function (setting bit 7 of parameter No. 4395 to 1).
33	The hardware configuration disables the use of the spindle EGB function. In this case, the motor is not excited.	Check the model of the CNC.
34	Both the spindle FAD function and spindle EGB function are enabled. In this case, the motor is not excited.	The two functions cannot be used at the same time. Enable one of the two functions at a time.
35	ID information of the spindle amplifier cannot be obtained.	Replace the spindle amplifier with one for which correct ID information is written.
36	The sub module SM (SSM) is abnormal. *1) Disconnection of the interface signal between the spindle amplifier and SSM *2) SSM failure	For action to be taken for this error, see Section 1.4, "SUB MODULE SM", in Part IV.
37	The current loop setting (parameter No. 4012) is changed.	Check the setting of parameter No. 4012, and turn the power off, then on again.
38	Parameters related to inter-spindle amplifier communication are not set correctly, or functions that cannot be used together with the torque tandem function are set.	Check the parameters.
39	DSCN (disconnection detection disable signal) is input in the state where SFR (forward rotation command), SRV (reverse rotation command), or ORCM (orientation command) is input.	Check the sequence. Do not input DSCN (disconnection detection disable signal) while a command for motor activation is input.
43	A setting unavailable with the α iCZ sensor (serial) is made. (*1)	Check the parameters.
44	The spindle amplifier does not support the control frequency setting.	Check the setting of parameter No. 4012.

NOTE

*1 If state error 43 is displayed, check the following items. The items to be checked differ depending on the spindle software series and edition.

Series 9D80/E(05), F(06): Items <1> to <12>

Series 9D80/G(07): Items <1> to <9>, <12>, and <13>

Series 9D80/H(08): Items <1> to <9>, <13>, and <14>

<1> The setting is made so that the α iCZ sensor (serial) is used as both of the motor and spindle sensors. (No.4010#2,1,0=0,1,0 and No.4002#3,2,1,0=0,1,1,0)

<2> Spindle HRV control is not set. (No.4012#7=0)

- <3> The use of the differential spindle speed control function is set.
(No.4000#5=1)
- <4> The use of the spindle switching control function is set. (No.4014#0=1)
- <5> The setting is made so that alarms related to position feedback are not detected. (No.4007#6=1 or No.4016#5=0)
- <6> The setting is made so that feedback signal disconnection is not detected.
(No.4007#5=1)
- <7> The setting is made so that alarms related to threading position detection signal feedback are not detected. (No.4016#5=0)
- <8> The use of an external one-rotation signal is set. (No.4004#2=1)
- <9> The use of a position coder is set. (No.4002#3,2,1,0=0,0,1,0)
- <10> The setting is made so that the synchronous built-in spindle motor is driven. (No.4012#6=1)
- <11> The use of inter-spindle amplifier communication is set. (No.4352#7=1 or No.4352#6=1)
- <12> The use of the dual check safety function is set.
- <13> The use of the spindle tandem function is set. (No.4015#3=1)
- <14> The use of the α iCZ sensor (serial) as the motor sensor is set and the dual check safety function is enabled.

E

TABLE OF I/O SIGNALS RELATED TO SPINDLE CONTROL

E.1 αi SERIES SPINDLE

E.1.1 Input Signals (PMC→CNC)

(1) Series 16i

		#7	#6	#5	#4	#3	#2	#1	#0
Common to all axes	G027	CON			*SSTP2 (*1)	*SSTP1 (*1)		SWS2 (*1)	SWS1 (*1)
Common to all axes	G028						GR2	GR1	
Common to all axes	G029		*SSTP	SOR	SAR				
Common to all axes	G030	SOV7	SOV6	SOV5	SOV4	SOV3	SOV2	SOV1	SOV0
Common to all axes	G038					SPPHS	SPSYC		
Common to all axes	G061								RGTAP
1st-	G032	R08I	R07I	R06I	R05I	R04I	R03I	R02I	R01I
2nd-	G034	R08I2	R07I2	R06I2	R05I2	R04I2	R03I2	R02I2	R01I2
1st-	G033	SIND	SSIN	SGN		R12I	R11I	R10I	R09I
2nd-	G035	SIND2	SSIN2	SGN2		R12I2	R11I2	R10I2	R09I2

NOTE

*1 These signals are valid in multi-spindle control.

(2) Series 30i

		#7	#6	#5	#4	#3	#2	#1	#0
Common to all axes	G027	CON			*SSTP2 (*1)	*SSTP1 (*1)		SWS2 (*1)	SWS1 (*1)
Common to all axes	G028						GR2	GR1	
Common to all axes	G029		*SSTP	SOR	SAR				
Common to all axes	G030	SOV7	SOV6	SOV5	SOV4	SOV3	SOV2	SOV1	SOV0
Common to all axes	G038					SPPHS	SPSYC		
Common to all axes	G061								RGTAP
1st-	G032	R08I	R07I	R06I	R05I	R04I	R03I	R02I	R01I
2nd-	G034	R08I2	R07I2	R06I2	R05I2	R04I2	R03I2	R02I2	R01I2
1st-	G033	SIND	SSIN	SGN		R12I	R11I	R10I	R09I
2nd-	G035	SIND2	SSIN2	SGN2		R12I2	R11I2	R10I2	R09I2

NOTE

*1 These signals are valid in multi-spindle control.

(3) Series 15i

		#7	#6	#5	#4	#3	#2	#1	#0
Common to all axes	G005							FIN	
	G067	SCNTR1							
	G071	SCNTR2							
	:	:							
1st-	G024	RI7A	RI6A	RI5A	RI4A	RI3A	RI2A	RI1A	RI0A
2nd-	G232	RI7B	RI6B	RI5B	RI4B	RI3B	RI2B	RI1B	RI0B
1st-	G025	RISGNA			RI12A	RI11A	RI10A	RI9A	RI8A
2nd-	G233	RISGNB			RI12B	RI11B	RI10B	RI9B	RI8B
1st-	G026		GS4A	GS2A	GS1A				SPSTPA
2nd-	G272		GS4B	GS2B	GS1B				SPSTPA

(4) Common to CNCs

				#7	#6	#5	#4	#3	#2	#1	#0
1st-	15i	16i	30i	MRDYA	ORCMA	SFRA	SRVA	CTH1A	CTH2A	TLMHA	TLMLA
2nd-	G227	G070	G070	MRDYB	ORCMB	SFRB	SRVB	CTH1B	CTH2B	TLMHB	TLMLB
1st-	G226	G071	G071	RCHA	RSLA	INTGA	SOCNA	MCFNA	SPSLA	*ESPA	ARSTA
2nd-	G234	G075	G075	RCHB	RSLB	INTGB	SOCNB	MCFNB	SPSLB	*ESPB	ARSTB
1st-	G229	G072	G072	RCHHGA	MFNHGA	INCMDA	OVRA	DEFMDA	NRROA	ROTAA	INDXA
2nd-	G237	G076	G076	RCHHGB	MFNHGB	INCMDB	OVRB	DEFMDB	NRROB	ROTAB	INDXB
1st-	G228	G073	G073				DSCNA	SORSLA	MPOFA	SLVA	
2nd-	G236	G077	G077				DSCNB	SORSLB	MPOFB	SLVB	

E.1.2 Output Signals (CNC→PMC)

(1) Series 16i

	#7	#6	#5	#4	#3	#2	#1	#0
F001				ENB				
F007						SF		
F022	S07	S06	S05	S04	S03	S02	S01	S00
F023	S15	S14	S13	S12	S11	S10	S09	S08
F024	S23	S22	S21	S20	S19	S18	S17	S16
F025	S31	S30	S29	S28	S27	S26	S25	S24
F034						GR30 (*1)	GR20 (*1)	GR10 (*1)
F036	R08O	R07O	R06O	R05O	R04O	R03O	R02O	R01O
F037					R12O	R11O	R10O	R09O
F044				SYCAL	FSPPH	FSPSY	FSCSL	
F065							RGSPM (*1)	RGSP (*1)
F076					RTAP			
F094	ZP8	ZP7	ZP6	ZP5	ZP4	ZP3	ZP2	ZP1

NOTE

*1 These signals are valid with the M series only.

(2) Series 30i

	#7	#6	#5	#4	#3	#2	#1	#0
F001				ENB				
F007						SF		
F022	S07	S06	S05	S04	S03	S02	S01	S00
F023	S15	S14	S13	S12	S11	S10	S09	S08
F024	S23	S22	S21	S20	S19	S18	S17	S16
F025	S31	S30	S29	S28	S27	S26	S25	S24
F034						GR30 (*1)	GR20 (*1)	GR10 (*1)
F036	R08O	R07O	R06O	R05O	R04O	R03O	R02O	R01O
F037					R12O	R11O	R10O	R09O
F044				SYCAL	FSPPH	FSPSY	FSCSL	
F065							RGSPM (*1)	RGSP (*1)
F076					RTAP			
F094	ZP8	ZP7	ZP6	ZP5	ZP4	ZP3	ZP2	ZP1

NOTE

*1 These signals are valid with the M series only.

(3) Series 15i

		#7	#6	#5	#4	#3	#2	#1	#0
Common to all axes	F008							SF	
Common to all axes	F020	S7	S6	S5	S4	S3	S2	S1	S0
Common to all axes	F021	S15	S14	S13	S12	S11	S10	S09	S08
Common to all axes	F022	S23	S22	S21	S20	S19	S18	S17	S16
Common to all axes	F023	S31	S30	S29	S28	S27	S26	S25	S24
Common to all axes	F040				RTAP				
Common to all axes	F045			SRSRDY					
	F064								ZP1
	F068								ZP2
	:								:
	F067	MSCNTR1							
	F071	MSCNTR2							
	:	:							
Common to all axes	F155						RSPC	RSPM	RSPP
1st-	F010	RO7A	RO6A	RO5A	RO4A	RO3A	RO2A	RO1A	RO0A
2nd-	F320	RO7B	RO6B	RO5B	RO4B	RO3B	RO2B	RO1B	RO0B
1st-	F011	RO15A	RO14A	RO13A	RO12A	RO11A	RO10A	RO9A	
2nd-	F321	RO15B	RO14B	RO13B	RO12B	RO11B	RO10B	RO9B	
1st-	F014	MR7A	MR6A	MR5A	MR4A	MR3A	MR2A	MR1A	MR0A
2nd-	F324	MR7B	MR6B	MR5B	MR4B	MR3B	MR2B	MR1B	MR0B
1st-	F015	MR15A	MR14A	MR13A	MR12A	MR11A	MR10A	MR9A	MR8A
2nd-	F325	MR15B	MR14B	MR13B	MR12B	MR11B	MR10B	MR9B	MR8B
1st-	F234	SSPD7A	SSPD6A	SSPD5A	SSPD4A	SSPD3A	SSPD2A	SSPD1A	SSPD0A
2nd-	F250	SSPD7B	SSPD6B	SSPD5B	SSPD4B	SSPD3B	SSPD2B	SSPD1B	SSPD0B
1st-	F235	SSPD15A	SSPD14A	SSPD13A	SSPD12A	SSPD11A	SSPD10A	SSPD9A	SSPD8A
2nd-	F251	SSPD15B	SSPD14B	SSPD13B	SSPD12B	SSPD11B	SSPD10B	SSPD9B	SSPD8B
1st-	F341								SRRDYA
2nd-	F342								SRRDYB

(4) Common to CNCs

	15i	16i	30i	#7	#6	#5	#4	#3	#2	#1	#0
1st-	F229	F045	F045	ORARA	TLMA	LDT2A	LDT1A	SARA	SDTA	SSTA	ALMA
2nd-	F245	F049	F049	ORARB	TLMB	LDT2B	LDT1B	SARB	SDTB	SSTB	ALMB
1st-	F228	F046	F046				SLVSA	RCFNA	RCHPA	CFINA	CHPA
2nd-	F244	F050	F050				SLVSA	RCFNB	RCHPB	CFINB	CHPB
1st-	F231	F047	F047				EXOFA	SORENA		INCSTA	PC1DTA
2nd-	F247	F051	F051				EXOFB	SORENB		INCSTB	PC1DTB
1st-	F230	F048	F048				CSPENA				
2nd-	F246	F052	F052				CSPENB				

E.2 α Ci SERIES SPINDLE

E.2.1 Input Signals (PMC→CNC)

(1) Series 16i

	#7	#6	#5	#4	#3	#2	#1	#0
G027				*SSTP2 (*1)	*SSTP1 (*1)		SWS2 (*1)	SWS1 (*1)
G028						GR2	GR1	
G029		*SSTP	SOR	SAR				
G030	SOV7	SOV6	SOV5	SOV4	SOV3	SOV2	SOV1	SOV0
G032	R08I	R07I	R06I	R05I	R04I	R03I	R02I	R01I
G033	SIND	SSIN	SGN		R12I	R11I	R10I	R09I
G038					SPPHS	SPSYC		
G061								RGTAP

NOTE

*1 These signals are valid in multi-spindle control.

(2) Series 30i

	#7	#6	#5	#4	#3	#2	#1	#0
G027				*SSTP2 (*1)	*SSTP1 (*1)		SWS2 (*1)	SWS1 (*1)
G028						GR2	GR1	
G029		*SSTP	SOR	SAR				
G030	SOV7	SOV6	SOV5	SOV4	SOV3	SOV2	SOV1	SOV0
G032	R08I	R07I	R06I	R05I	R04I	R03I	R02I	R01I
G033	SIND	SSIN	SGN		R12I	R11I	R10I	R09I
G038					SPPHS	SPSYC		
G061								RGTAP

NOTE

*1 These signals are valid in multi-spindle control.

(3) Series 15i

		#7	#6	#5	#4	#3	#2	#1	#0
Common to all axes	G005							FIN	
	G067	SCNTR1							
	G071	SCNTR2							
	:	:							
1st-	G024	RI7A	RI6A	RI5A	RI4A	RI3A	RI2A	RI1A	RI0A
2nd-	G232	RI7B	RI6B	RI5B	RI4B	RI3B	RI2B	RI1B	RI0B
1st-	G025	RISGNA			RI12A	RI11A	RI10A	RI9A	RI8A
2nd-	G233	RISGNB			RI12B	RI11B	RI10B	RI9B	RI8B
1st-	G026		GS4A	GS2A	GS1A				SPSTPA
2nd-	G272		GS4B	GS2B	GS1B				SPSTPA

(4) Common to CNCs

				#7	#6	#5	#4	#3	#2	#1	#0
1st-	15i	16i	30i	MRDYA	ORCMA	SFRA	SRVA	CTH1A	CTH2A	TLMHA	TLMLA (*1)
2nd-	G227	G070	G070	MRDYB	ORCMB	SFRB	SRVB	CTH1B	CTH2B	TLMHB	TLMLB (*1)
1st-	G226	G071	G071			INTGA				*ESPA	ARSTA
2nd-	G234	G075	G075			INTGB				*ESPB	ARSTB
1st-	G229	G072	G072			INCMDB	OVRB		NRROB	ROTAB	INDXB
2nd-	G237	G076	G076			INCMDB	OVRB		NRROB	ROTAB	INDXB
1st-	G228	G073	G073						MPOFA		
2nd-	G236	G077	G077						MPOFB		

NOTE

*1 The signal functions of the αCi series differ from those of the αi series. For details, see Chapter 3, "I/O SIGNALS (CNC \leftrightarrow PMC)", in Part III.

E.2.2 Output Signals (CNC→PMC)

(1) Series 16i

	#7	#6	#5	#4	#3	#2	#1	#0
F001				ENB				
F007						SF		
F022	S07	S06	S05	S04	S03	S02	S01	S00
F023	S15	S14	S13	S12	S11	S10	S09	S08
F024	S23	S22	S21	S20	S19	S18	S17	S16
F025	S31	S30	S29	S28	S27	S26	S25	S24
F034						GR30 (*1)	GR20 (*1)	GR10 (*1)
F036	R08O	R07O	R06O	R05O	R04O	R03O	R02O	R01O
F037					R12O	R11O	R10O	R09O
F044				SYCAL	FSPPH	FSPSY	FSCSL	
F065							RGSPM (*1)	RGSP (*1)
F076					RTAP			
F094	ZP8	ZP7	ZP6	ZP5	ZP4	ZP3	ZP2	ZP1

NOTE

*1 These signals are valid with the M series only.

(2) Series 30i

	#7	#6	#5	#4	#3	#2	#1	#0
F001				ENB				
F007						SF		
F022	S07	S06	S05	S04	S03	S02	S01	S00
F023	S15	S14	S13	S12	S11	S10	S09	S08
F024	S23	S22	S21	S20	S19	S18	S17	S16
F025	S31	S30	S29	S28	S27	S26	S25	S24
F034						GR30 (*1)	GR20 (*1)	GR10 (*1)
F036	R08O	R07O	R06O	R05O	R04O	R03O	R02O	R01O
F037					R12O	R11O	R10O	R09O
F044				SYCAL	FSPPH	FSPSY	FSCSL	
F065							RGSPM (*1)	RGSP (*1)
F076					RTAP			
F094	ZP8	ZP7	ZP6	ZP5	ZP4	ZP3	ZP2	ZP1

NOTE

*1 These signals are valid with the M series only.

(3) Series 15i

		#7	#6	#5	#4	#3	#2	#1	#0
Common to all axes	F008							SF	
Common to all axes	F020	S7	S6	S5	S4	S3	S2	S1	S0
Common to all axes	F021	S15	S14	S13	S12	S11	S10	S09	S08
Common to all axes	F022	S23	S22	S21	S20	S19	S18	S17	S16
Common to all axes	F023	S31	S30	S29	S28	S27	S26	S25	S24
Common to all axes	F040				RTAP				
Common to all axes	F045			SRSRDY					
	F064								ZP1
	F068								ZP2
	:								:
	F067	MSCNTR1							
	F071	MSCNTR2							
	:	:							
Common to all axes	F155						RSPC	RSPM	RSPP

1st-	F010	RO7A	RO6A	RO5A	RO4A	RO3A	RO2A	RO1A	RO0A
2nd-	F320	RO7B	RO6B	RO5B	RO4B	RO3B	RO2B	RO1B	RO0B
1st-	F011	RO15A	RO14A	RO13A	RO12A	RO11A	RO10A	RO9A	
2nd-	F321	RO15B	RO14B	RO13B	RO12B	RO11B	RO10B	RO9B	

1st-	F014	MR7A	MR6A	MR5A	MR4A	MR3A	MR2A	MR1A	MR0A
2nd-	F324	MR7B	MR6B	MR5B	MR4B	MR3B	MR2B	MR1B	MR0B

1st-	F015	MR15A	MR14A	MR13A	MR12A	MR11A	MR10A	MR9A	MR8A
2nd-	F325	MR15B	MR14B	MR13B	MR12B	MR11B	MR10B	MR9B	MR8B

1st-	F234	SSPD7A	SSPD6A	SSPD5A	SSPD4A	SSPD3A	SSPD2A	SSPD1A	SSPD0A
2nd-	F250	SSPD7B	SSPD6B	SSPD5B	SSPD4B	SSPD3B	SSPD2B	SSPD1B	SSPD0B

1st-	F235	SSPD15A	SSPD14A	SSPD13A	SSPD12A	SSPD11A	SSPD10A	SSPD9A	SSPD8A
2nd-	F251	SSPD15B	SSPD14B	SSPD13B	SSPD12B	SSPD11B	SSPD10B	SSPD9B	SSPD8B

1st-	F341								SRRDYA
2nd-	F342								SRRDYB

(4) Common to CNCs

		15i	16i	30i	#7	#6	#5	#4	#3	#2	#1	#0
1st-	F229	F045	F045		ORARA	TLMA		LDT1A	SARA	SDTA	SSTA	ALMA
2nd-	F245	F049	F049		ORARB	TLMB		LDT1B	SARB	SDTB	SSTB	ALMB
1st-	F231	F047	F047								INCSTA	PC1DTA
2nd-	F247	F051	F051								INCSTB	PC1DTB

E.3 BiS SERIES SPINDLE

E.3.1 Input Signals (PMC→CNC)

(1) Series 16i

		#7	#6	#5	#4	#3	#2	#1	#0
Common to all axes	G027	CON			*SSTP2 (*1)	*SSTP1 (*1)		SWS2 (*1)	SWS1 (*1)
Common to all axes	G028						GR2	GR1	
Common to all axes	G029		*SSTP	SOR	SAR				
Common to all axes	G030	SOV7	SOV6	SOV5	SOV4	SOV3	SOV2	SOV1	SOV0
Common to all axes	G038					SPPHS	SPSYC		
Common to all axes	G061								RGTAP
1st-	G032	R08I	R07I	R06I	R05I	R04I	R03I	R02I	R01I
2nd-	G034	R08I2	R07I2	R06I2	R05I2	R04I2	R03I2	R02I2	R01I2
1st-	G033	SIND	SSIN	SGN		R12I	R11I	R10I	R09I
2nd-	G035	SIND2	SSIN2	SGN2		R12I2	R11I2	R10I2	R09I2

NOTE

*1 These signals are valid in multi-spindle control.

(2) Series 30i

		#7	#6	#5	#4	#3	#2	#1	#0
Common to all axes	G027	CON			*SSTP2 (*1)	*SSTP1 (*1)		SWS2 (*1)	SWS1 (*1)
Common to all axes	G028						GR2	GR1	
Common to all axes	G029		*SSTP	SOR	SAR				
Common to all axes	G030	SOV7	SOV6	SOV5	SOV4	SOV3	SOV2	SOV1	SOV0
Common to all axes	G038					SPPHS	SPSYC		
Common to all axes	G061								RGTAP
1st-	G032	R08I	R07I	R06I	R05I	R04I	R03I	R02I	R01I
2nd-	G034	R08I2	R07I2	R06I2	R05I2	R04I2	R03I2	R02I2	R01I2
1st-	G033	SIND	SSIN	SGN		R12I	R11I	R10I	R09I
2nd-	G035	SIND2	SSIN2	SGN2		R12I2	R11I2	R10I2	R09I2

NOTE

*1 These signals are valid in multi-spindle control.

(3) Series 15i

		#7	#6	#5	#4	#3	#2	#1	#0
Common to all axes	G005							FIN	
	G067	SCNTR1							
	G071	SCNTR2							
	:	:							
1st-	G024	RI7A	RI6A	RI5A	RI4A	RI3A	RI2A	RI1A	RI0A
2nd-	G232	RI7B	RI6B	RI5B	RI4B	RI3B	RI2B	RI1B	RI0B
1st-	G025	RISGNA			RI12A	RI11A	RI10A	RI9A	RI8A
2nd-	G233	RISGNB			RI12B	RI11B	RI10B	RI9B	RI8B
1st-	G026		GS4A	GS2A	GS1A				SPSTPA
2nd-	G272		GS4B	GS2B	GS1B				SPSTPA

(4) Common to CNCs

	15i	16i	30i	#7	#6	#5	#4	#3	#2	#1	#0
1st-	G227	G070	G070	MRDYA	ORCMA	SFRA	SRVA	CTH1A	CTH2A	TLMHA	TLMLA
2nd-	G235	G074	G074	MRDYB	ORCMB	SFRB	SRVB	CTH1B	CTH2B	TLMHB	TLMLB
1st-	G226	G071	G071			INTGA	SOCNA			*ESPA	ARSTA
2nd-	G234	G075	G075			INTGB	SOCNB			*ESPB	ARSTB
1st-	G229	G072	G072			INCMDA	OVRA	DEFMDA	NRROA	ROTAA	INDXA
2nd-	G237	G076	G076			INCMDB	OVRB	DEFMDB	NRROB	ROTAB	INDXB
1st-	G228	G073	G073	EPFSTRA			DSCNA	SORSLA	MPOFA		
2nd-	G236	G077	G077	EPFSTRB			DSCNB	SORSLB	MPOFB		

E.3.2 Output Signals (CNC→PMC)

(1) Series 16i

	#7	#6	#5	#4	#3	#2	#1	#0
F001				ENB				
F007						SF		
F022	S07	S06	S05	S04	S03	S02	S01	S00
F023	S15	S14	S13	S12	S11	S10	S09	S08
F024	S23	S22	S21	S20	S19	S18	S17	S16
F025	S31	S30	S29	S28	S27	S26	S25	S24
F034						GR30 (*1)	GR20 (*1)	GR10 (*1)
F036	R08O	R07O	R06O	R05O	R04O	R03O	R02O	R01O
F037					R12O	R11O	R10O	R09O
F044				SYCAL	FSPPH	FSPSY	FSCSL	
F065							RGSPM (*1)	RGSP (*1)
F076					RTAP			
F094	ZP8	ZP7	ZP6	ZP5	ZP4	ZP3	ZP2	ZP1

NOTE

*1 These signals are valid with the M series only.

(2) Series 30i

	#7	#6	#5	#4	#3	#2	#1	#0
F001				ENB				
F007						SF		
F022	S07	S06	S05	S04	S03	S02	S01	S00
F023	S15	S14	S13	S12	S11	S10	S09	S08
F024	S23	S22	S21	S20	S19	S18	S17	S16
F025	S31	S30	S29	S28	S27	S26	S25	S24
F034						GR30 (*1)	GR20 (*1)	GR10 (*1)
F036	R08O	R07O	R06O	R05O	R04O	R03O	R02O	R01O
F037					R12O	R11O	R10O	R09O
F044				SYCAL	FSPPH	FSPSY	FSCSL	
F065							RGSPM (*1)	RGSP (*1)
F076					RTAP			
F094	ZP8	ZP7	ZP6	ZP5	ZP4	ZP3	ZP2	ZP1

NOTE

*1 These signals are valid with the M series only.

(3) Series 15i

		#7	#6	#5	#4	#3	#2	#1	#0
Common to all axes	F008							SF	
Common to all axes	F020	S7	S6	S5	S4	S3	S2	S1	S0
Common to all axes	F021	S15	S14	S13	S12	S11	S10	S09	S08
Common to all axes	F022	S23	S22	S21	S20	S19	S18	S17	S16
Common to all axes	F023	S31	S30	S29	S28	S27	S26	S25	S24
Common to all axes	F040				RTAP				
Common to all axes	F045			SRSRDY					
	F064								ZP1
	F068								ZP2
	:								:
	F067	MSCNTR1							
	F071	MSCNTR2							
	:	:							
Common to all axes	F155						RSPC	RSPM	RSPP
1st-	F010	RO7A	RO6A	RO5A	RO4A	RO3A	RO2A	RO1A	RO0A
2nd-	F320	RO7B	RO6B	RO5B	RO4B	RO3B	RO2B	RO1B	RO0B
1st-	F11	RO15A	RO14A	RO13A	RO12A	RO11A	RO10A	RO9A	
2nd-	F321	RO15B	RO14B	RO13B	RO12B	RO11B	RO10B	RO9B	
1st-	F014	MR7A	MR6A	MR5A	MR4A	MR3A	MR2A	MR1A	MR0A
2nd-	F324	MR7B	MR6B	MR5B	MR4B	MR3B	MR2B	MR1B	MR0B
1st-	F015	MR15A	MR14A	MR13A	MR12A	MR11A	MR10A	MR9A	MR8A
2nd-	F325	MR15B	MR14B	MR13B	MR12B	MR11B	MR10B	MR9B	MR8B
1st-	F234	SSPD7A	SSPD6A	SSPD5A	SSPD4A	SSPD3A	SSPD2A	SSPD1A	SSPD0A
2nd-	F250	SSPD7B	SSPD6B	SSPD5B	SSPD4B	SSPD3B	SSPD2B	SSPD1B	SSPD0B
1st-	F235	SSPD15A	SSPD14A	SSPD13A	SSPD12A	SSPD11A	SSPD10A	SSPD9A	SSPD8A
2nd-	F251	SSPD15B	SSPD14B	SSPD13B	SSPD12B	SSPD11B	SSPD10B	SSPD9B	SSPD8B
1st-	F341								SRRDYA
2nd-	F342								SRRDYB

(4) Common to CNCs

	15i	16i	30i	#7	#6	#5	#4	#3	#2	#1	#0
1st-	F229	F045	F045	ORARA	TLMA	LDT2A	LDT1A	SARA	SDTA	SSTA	ALMA
2nd-	F245	F049	F049	ORARB	TLMB	LDT2B	LDT1B	SARB	SDTB	SSTB	ALMB
1st-	F231	F047	F047				EXOFA	SORENA		INCSTA	PC1DTA
2nd-	F247	F051	F051				EXOFB	SORENB		INCSTB	PC1DTB
1st-	F230	F048	F048	EPFIXA			CSPENA	SSMBRKA			
2nd-	F246	F052	F052	EPFIXB			CSPENB	SSMBRKB			

F

OBSERVING DATA USING THE SERVO GUIDE

Using the servo adjustment tool, SERVO GUIDE, enables you to observe internal data for the spindle.

This Appendix F describes the spindle data that can be observed using the SERVO GUIDE. It also presents examples of observed data. Refer to FANUC SERVO GUIDE OPERATOR'S MANUAL (B-65404EN) online help for detailed explanations about how to use the SERVO GUIDE.

F.1 SERIES AND EDITIONS OF APPLICABLE SPINDLE SOFTWARE

9D50 series B (02) edition or later

9D53 series A (01) edition or later

9D70 series A (01) edition or later

9D80 series A (01) edition or later

F.2 SPINDLE DATA THAT CAN BE OBSERVED USING THE SERVO GUIDE

F.2.1 Data List

The following table lists the spindle data that can be observed using the SERVO GUIDE.

Data type	Description	Description
SPEED	Motor speed	
INORM	Motor current amplitude	
TCMD	Torque command	
VCMD	Motor speed command	
VERR	Speed deviation	
MCMD	Move command for an individual communication cycle	
ERR	Position error	9D50 series 11 edition or later *1
ERRC	Position error (CNC)	
SYNC	Synchronous error	9D50 series 11 edition or later *1
ORERR	Position error at orientation	
ORSEQ	Orientation sequence data	
PCPOS	Cumulative position feedback value	
CSPOS	Cumulative position feedback value	
WMDAT	Move command for an individual position loop	
ERR2	Position error 2	
ERR2C	Position error 2 (CNC)	9D50 series 11 edition or later *1
SPCMD	Speed command data from the CNC	
SPSPD	Spindle speed	9D50 series 11 edition or later *1
SPCT1	Spindle control signal 1	
SPCT2	Spindle control signal 2	
SPCT3	Spindle control signal 3	9D50 series 11 edition or later *1
SPST1	Spindle status signal 1	
SPST2	Spindle status signal 2	
SFLG1	Spindle flag 1	9D50 series 11 edition or later *1
SPOSD	Spindle position data	9D50 series 12 edition or later *2
LMDAT	Load meter data	9D50 series 11 edition or later *1
DTRQ	Spindle load torque (unexpected disturbance torque detection function)	9D50 series 11 edition or later *1
FREQ	Frequency of a disturbance torque command (disturbance input function)	9D50 series 11 edition or later *1
GAIN	Gain (disturbance input function)	9D50 series 11 edition or later *1
MTTMP	Motor winding temperature	9D50 series 11 edition or later *1
MFBD	Feedback differential data on the motor side (for amplitude ratio/phase difference compensation adjustment)	9D50 series 11 edition or later *1
SFBD	Feedback differential data on the spindle side (for amplitude ratio/phase difference compensation adjustment)	9D50 series 11 edition or later *1
PA1	A/D value of motor sensor phase A	9D50 series 11 edition or later *1
PB1	A/D value of motor sensor phase B	9D50 series 11 edition or later *1
PA2	A/D value of spindle sensor phase A	9D50 series 11 edition or later *1
PB2	A/D value of spindle sensor phase B	9D50 series 11 edition or later *1
VDC	DC link voltage	9D50 series 11 edition or later *1
SFERR	Semi-closed loop/closed loop difference (Dual position feedback function)	9D50 series 11 edition or later *1

Data type	Description	Description
SMERR	Positional deviation on the semi-closed loop side (Dual position feedback function)	9D50 series 11 edition or later *1
SPACC	Spindle acceleration data	9D50 series 20 edition or later *4

NOTE

*1 Valid with 9D53 series 03 edition or later, valid with 9D70 series 02 edition or later, and valid with 9D80 series 01 edition or later

*2 Valid with 9D53 series 04 edition or later, valid with 9D70 series 03 edition or later, and valid with 9D80 series 01 edition or later

*3 To observe data marked with *1 and *2, Servo Guide Ver. 3.0 or later is needed.

*4 Valid with 9D70 series 10 edition or later and valid with 9D80 series 04 edition or later. To observe data, Servo Guide Ver. 4.10 or later is needed.

F.2.2 About the Spindle Speed Control and Spindle Status Signals

As stated in the previous item, the SERVO GUIDE can be used to observe the PMC signals (spindle speed control signals 1 and 2 and spindle status signals 1 and 2) used by the spindle.

Listed below is the data configuration for spindle speed control signals 1 and 2 and spindle status signals 1 and 2. Refer to Chapter 3, "I/O SIGNALS (CNC↔PMC)", in each part for explanations about each signal.

(a) Spindle speed control signal 1 (SPCT1)

#15	#14	#13	#12	#11	#10	#9	#8
RCH	RSL	INTG	SOCN	MCFN	SPSL	*ESP	ARST
#7	#6	#5	#4	#3	#2	#1	#0
MRDY	ORCM	SFR	SRV	CTH1	CTH2	TLMH	TLML

(b) Spindle speed control signal 2 (SPCT2)

#15	#14	#13	#12	#11	#10	#9	#8
			DSCN	SORSL	MPOF		
#7	#6	#5	#4	#3	#2	#1	#0
RCHHG	MFNHG	INCMD	OVR	DEFMD	NRRO	ROTA	INDX

(c) Spindle speed control signal 3 (SPCT3)

#15	#14	#13	#12	#11	#10	#9	#8
#7	#6	#5	#4	#3	#2	#1	#0

(d) Spindle status signal 1 (SPST1)

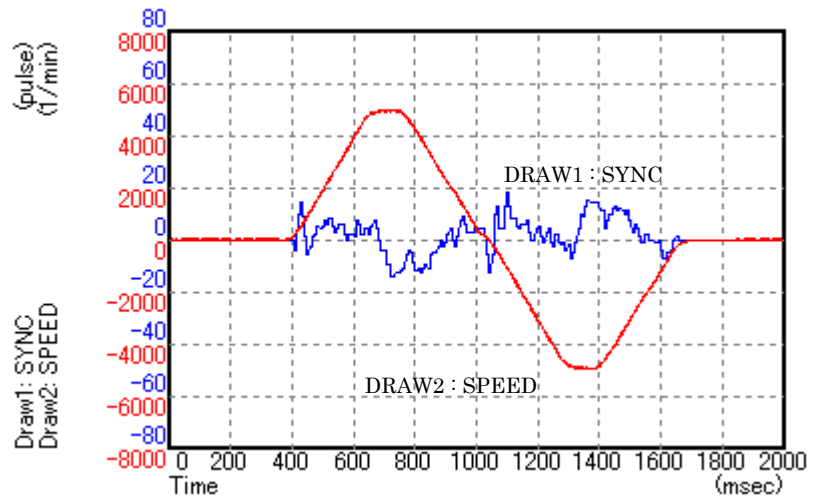
#15	#14	#13	#12	#11	#10	#9	#8
			SLVS	RCFN	RCHP	CFIN	CHP
#7	#6	#5	#4	#3	#2	#1	#0
ORAR	TLM	LDT2	LDT1	SAR	SDT	SST	ALM

(e) Spindle status signal 2 (SPST2)

#15	#14	#13	#12	#11	#10	#9	#8
			CSPEN				
#7	#6	#5	#4	#3	#2	#1	#0
			EXOF	SOREN		INCST	PC1DT

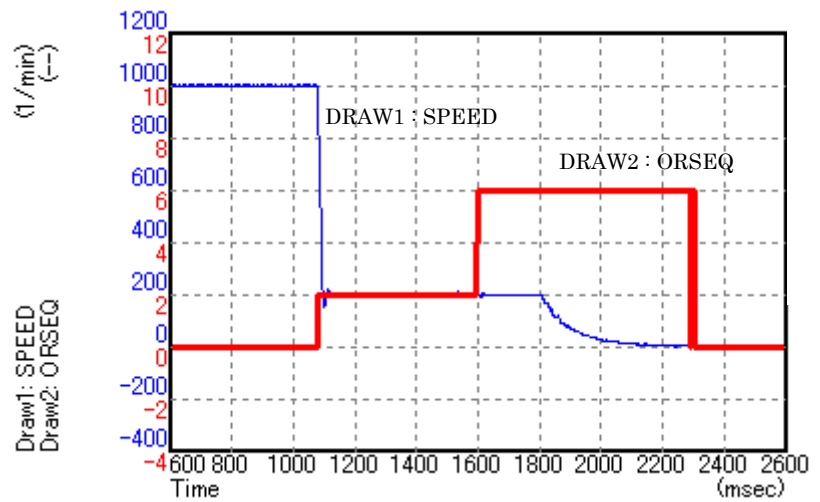
F.3 EXAMPLE OF OBSERVING DATA

- (1) Synchronous error and motor speed in rigid tapping



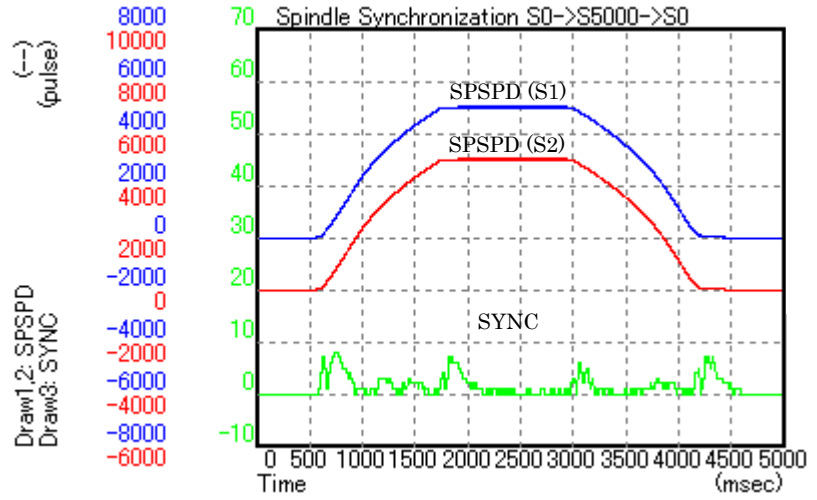
DRAW1: SYNC (Synchronous error)
 DRAW2: SPEED (Motor speed)

- (2) Motor speed and orientation sequence in orientation



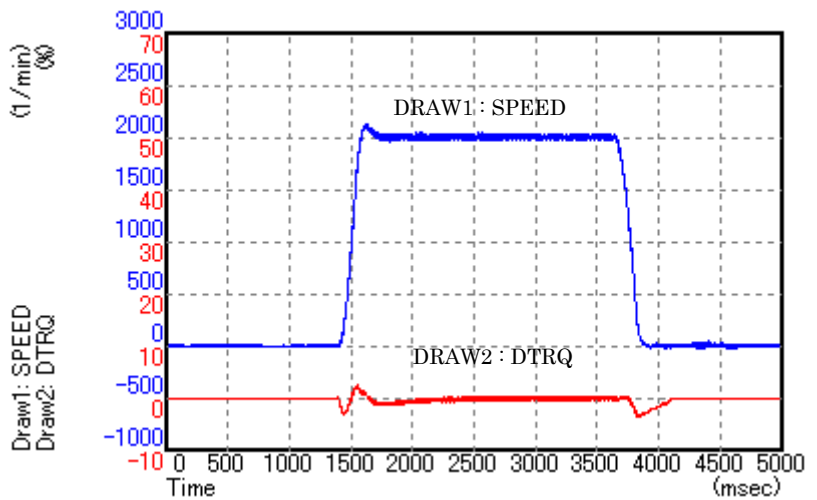
DRAW1: SPEED (Motor speed)
 DRAW2: ORSEQ (Orientation sequence)

(3) Spindle speeds and synchronous error in spindle synchronous control



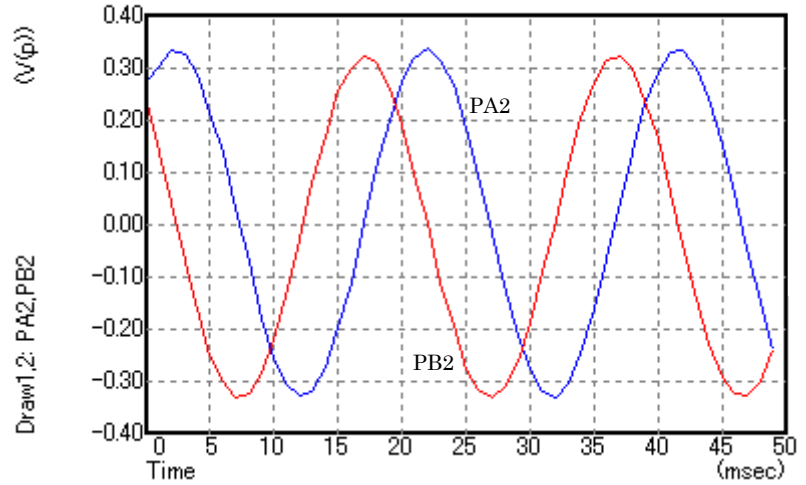
DRAW1, 2: SPSPD (Spindle speed S1 and S2)
 DRAW3: SYNC (Synchronous error)

(4) Motor speed and estimated load torque data



DRAW1: SPEED (Motor speed)
 DRAW2: DTRQ (Estimated load torque)

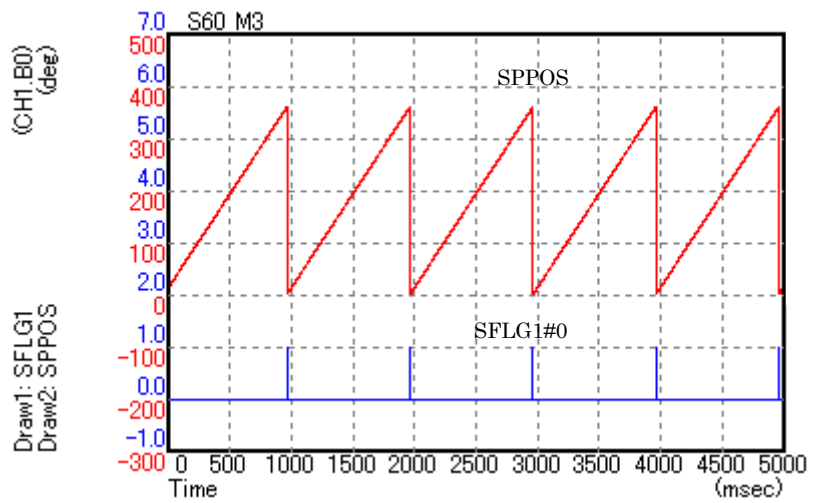
(5) Phase A/B feedback signal of α iBZ sensor



DRAW1: PA2 (Phase A signal of a separate α iBZ sensor)

DRAW2: PB2 (Phase B signal of a separate α iBZ sensor)

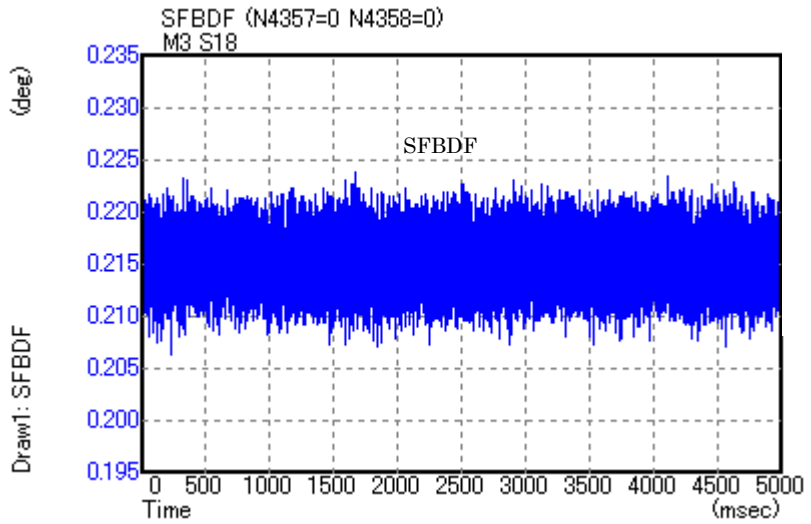
(6) Spindle position data and one-rotation signal



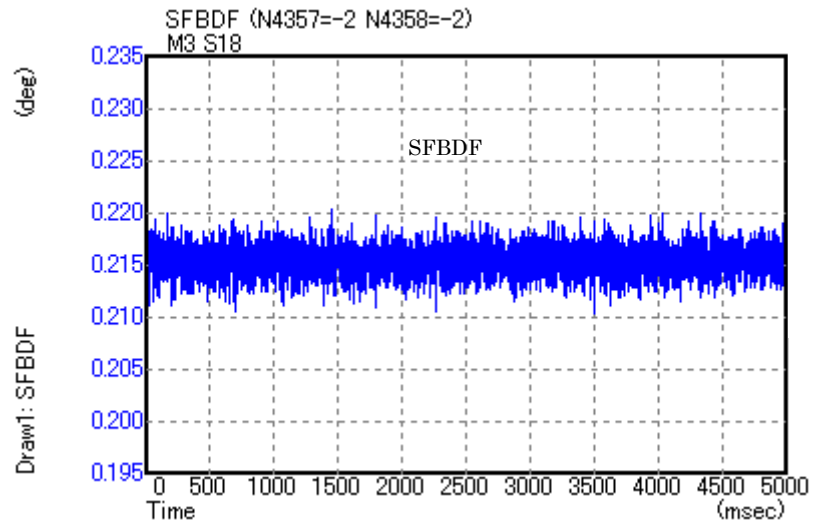
DRAW1, 2: SPPOS (Spindle position data)

DRAW3: SFLG#0 (FGRD: One-rotation signal detection flag)

- (7) Adjustment of amplitude ratio/phase difference compensation data
 - (a) Before adjustment (No.4357=0, No.4358=0)

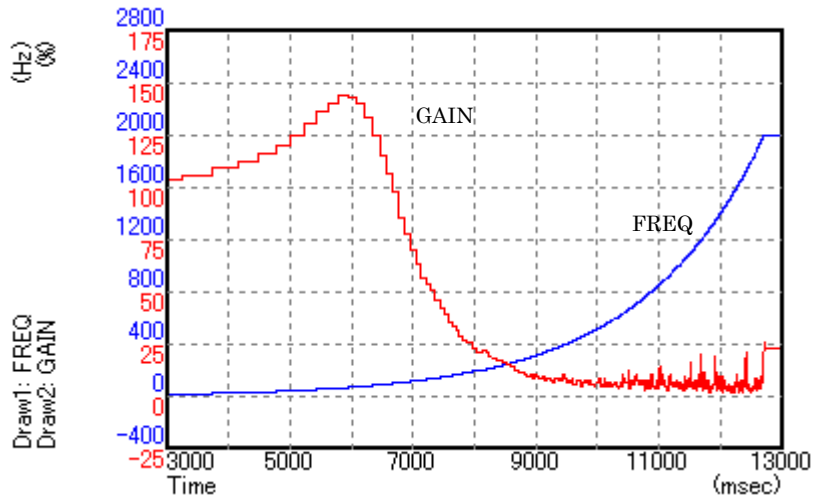


- (b) After adjustment (No.4357=-2, No.4358=-2)

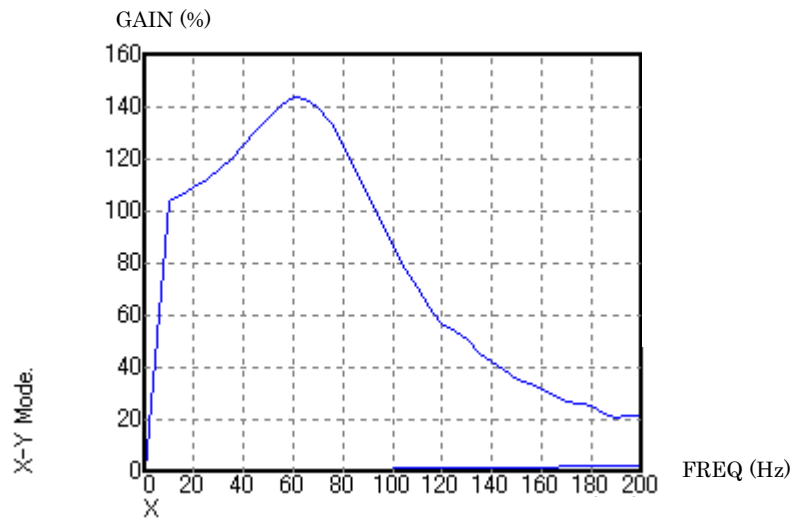


DRAW1: SFBDF (Spindle feedback difference data)

- (8) Measurement of frequency characteristics using the disturbance input function
 - (a) XTYT display

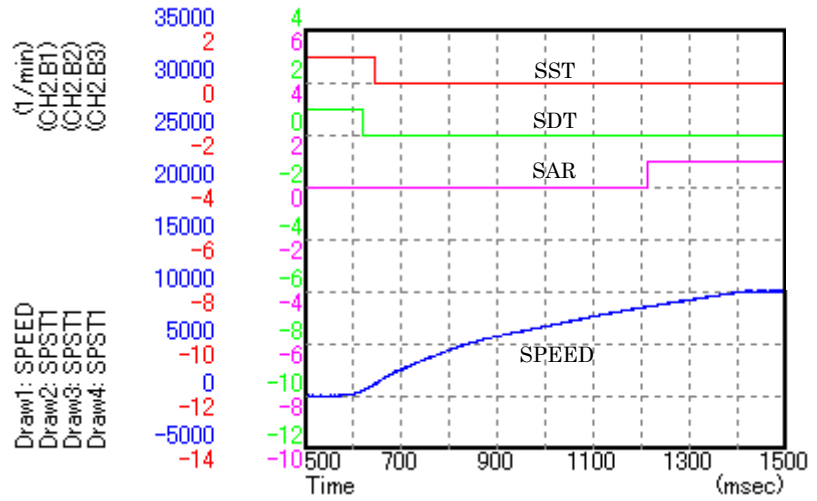


- (b) X-Y display



DRAW1: FREQ (Frequency in the disturbance torque command)
 DRAW2: GAIN (Gain)

(9) Observation of spindle status signals



- DRAW1: SPEED (Motor speed)
- DRAW2: SPST1#1 (SST: Speed zero detection signal)
- DRAW3: SPST1#2 (SDT: Speed detection signal)
- DRAW4: SPST1#3 (SAR: Speed arrival signal)

G

PARAMETER SPECIFICATION DIFFERENCES BETWEEN THE αi SERIES AND αCi SERIES

This appendix describes the parameter specification differences between the αi series and αCi series.

The specifications of some parameters differ between the αi series and αCi series. For example, some identical parameter numbers do not specify the same functions. Take care at the time of the parameter setting.

G.1 PARAMETERS WITH DIFFERENT MEANINGS

15i	16i	30i	Contents	
			α i series	α Ci series
3000#1	4000#1	4000#1	Spindle rotation direction when a positive (+) move command is specified on Cs contouring control	Unused (Set to 0.)
3000#3	4000#3	4000#3	Return direction for the reference position on Cs contouring control mode	Unused (Set to 0.)
3002#4	4002#4	4002#4	Whether to use the rotation direction signal (SFR/SRV) function on Cs contouring control	SM pin output data selection
3002#7	4002#7	4002#7	Whether to use the CMR (servo mode Cs contouring) function on servo mode	Unused (Set to 0.)
3003#3	4003#3	4003#3	Rotation direction during spindle orientation	Unused (Set to 0.)
3004#2	4004#2	4004#2	Setting of external one-rotation signal	Unused (Set to 0.)
3004#3	4004#3	4004#3	Setting of external one-rotation signal	Unused (Set to 0.)
3005#0	4005#0	4005#0	Unused (Set to 0.)	Setting of the velocity feedback method
3009#0	4009#0	4009#0	Increment system of velocity loop gain	Unused (Set to 0.)
3010#0	4010#0	4010#0	Motor sensor type	Unused (Set to 0.)
3010#1	4010#1	4010#1	Motor sensor type	Unused (Set to 0.)
3010#2	4010#2	4010#2	Motor sensor type	Unused (Set to 0.)
3011#0	4011#0	4011#0	Teeth number setting of motor sensor	Unused (Set to 0.)
3011#1	4011#1	4011#1	Teeth number setting of motor sensor	Unused (Set to 0.)
3011#2	4011#2	4011#2	Teeth number setting of motor sensor	Unused (Set to 0.)
3012#7	4012#7	4012#7	Setting of spindle HRV function	Unused (Set to 0.)
3013#7	4013#7	4013#7	Setting of a PWM carrier for low-speed characteristics area	Unused (Set to 0.)
3014#0	4014#0	4014#0	Whether to use the spindle switch function	Unused (Set to 0.)
3014#2	4014#2	4014#2	Whether to check both spindle switch main and sub magnetic contactor contacts	Unused (Set to 0.)
3014#3	4014#3	4014#3	Whether to check both magnetic contactor contacts for high-speed characteristics/low-speed characteristics in speed range switching	Unused (Set to 0.)
3014#6	4014#6	4014#6	Whether to use the orientation function on spindle synchronous control	Unused (Set to 0.)
3016#4	4016#4	4016#4	Setting related to control characteristics on Cs contouring control/servo mode	Unused (Set to 0.)
3016#5	4016#5	4016#5	Whether to detect the alarms (SPM alarms 82, 83, 85, 86) related to position feedback (in Cs contouring control mode)	Unused (Set to 0.)
3018#5	4018#5	4018#5	Whether to use the velocity command compensation function during high-speed orientation	Unused (Set to 0.)
3018#6	4018#6	4018#6	High-speed orientation function	Unused (Set to 0.)
3019#4	4019#4	4019#4	Setting of the function for switching from high-speed characteristics to low-speed characteristics with the speed detection signal SDT = 1 at speed range switching	Unused (Set to 0.)
3021	4021	4021	Maximum speed on Cs contouring control mode	Unused (Set to 0.)
3027	4027	4027	Load detection level 2	Unused (Set to 0.)
3028	4028	4028	Limited output pattern	Unused (Set to 0.)
3029	4029	4029	Output limit	Unused (Set to 0.)
3030	4030	4030	Soft start/stop time	Unused (Set to 0.)
3038	4038	4038	Spindle orientation speed ^(r1)	Spindle orientation speed ^(r1)
3039	4039	4039	Slip compensation gain	Unused (Set to 0.)
3046	4046	4046	Velocity loop proportional gain on Cs contouring control (High)	Unused (Set to 0.)
3047	4047	4047	Velocity loop proportional gain on Cs contouring control (Low)	Unused (Set to 0.)
3054	4054	4054	Velocity loop integral gain on Cs contouring control (High)	Unused (Set to 0.)
3055	4055	4055	Velocity loop integral gain on Cs contouring control (Low)	Unused (Set to 0.)

15i	16i	30i	Contents	
			α i series	α Ci series
3064	4064	4064	Rate of change in position gain upon completion of orientation / Acceleration limitation ratio at deceleration time	Acceleration limitation ratio at deceleration time
3069	4069	4069	Position gain on Cs contouring control (High)	Acceleration/deceleration constant (High)
3070	4070	4070	Position gain on Cs contouring control (Medium High)	Acceleration/deceleration constant (Medium High)
3071	4071	4071	Position gain on Cs contouring control (Medium Low)	Acceleration/deceleration constant (Medium Low)
3072	4072	4072	Position gain on Cs contouring control (Low)	Acceleration/deceleration constant (Low)
3076	4076	4076	Motor speed limit value on orientation	Unused (Set to 0.)
3078	4078	4078	Reserved (Set to 200.)	Gear switch timer
3086	4086	4086	Motor voltage on Cs contouring control	Gear ratio parameter setting error alarm (SPM alarm 35) detection level
3087	4087	4087	Overspeed level	Unused (Set to 0.)
3092	4092	4092	Rate of change in position gain during reference position return on Cs contouring control	Unused (Set to 0.)
3093	4093	4093	Value displayed on load meter at maximum output	Unused (Set to 0.)
3094	4094	4094	Disturbance torque compensation constant (acceleration feedback gain)	Unused (Set to 0.)
3096	4096	4096	Adjusted output voltage of load meter	Unused (Set to 0.)
3097	4097	4097	Feedback gain of spindle speed	Unused (Set to 0.)
3103	4103	4103	Base speed limit ratio	Compensation data for resistance
3104	4104	4104	Current loop proportional gain ^(*)	Current loop proportional gain ^(*)
3105	4105	4105	Unused (Set to 0.)	Current loop integral gain
3106	4106	4106	Current loop integral gain	D-axis current loop gain
3107	4107	4107	Unused (Set to 0.)	Q-axis current loop gain
3108	4108	4108	Velocity at which the current loop integral gain is zero	Q-axis current deviation limitation coefficient
3114	4114	4114	Slip compensation coefficient for a high-speed zone/slip compensation coefficient at deceleration	Unused (Set to 0.)
3120	4120	4120	Dead-band rectangular wave component zero voltage/dead-band data	Dead-band compensation data
3129	4129	4129	Secondary current coefficient for rigid tapping	Unused (Set to 0.)
3131	4131	4131	Time constant for velocity detecting filter (on Cs contouring control)	Dead-band compensation hysteresis
3135	4135	4135	Grid shift during Cs contouring control mode I (2-word)	Unused (Set to 0.)
3320	4320	4320	Motor acceleration at deceleration time (High)	Acceleration at orientation deceleration time (High)
3321	4321	4321	Motor acceleration at deceleration time (Medium High)	Acceleration at orientation deceleration time (Medium High)
3322	4322	4322	Motor acceleration at deceleration time (Medium Low)	Acceleration at orientation deceleration time (Medium Low)
3323	4323	4323	Motor acceleration at deceleration time (Low)	Acceleration at orientation deceleration time (Low)

NOTE

*1 The name is identical, but the specification differs partly.

H

PARAMETER SPECIFICATION DIFFERENCES BETWEEN THE αi SERIES AND BiS SERIES

This appendix describes the parameter specification differences between the αi series and BiS series.

The specifications of some parameters differ between the αi series and BiS series. For example, some identical parameter numbers do not specify the same functions. Take care at the time of the parameter setting.

H.1 PARAMETERS WITH DIFFERENT MEANINGS

NOTE

The parameters marked with (*1) have the same name but their specifications partly differ from each other.

15i	16i	30i	Contents	
			ai series	BiS series
3006#2	4006#2	4006#2	Increment system of spindle speed	Unused (Set to 0.)
3006#4	4006#4	4006#4	Reserved	Sets the d-phase current command.
3007#5	4007#5	4007#5	Whether to detect a feedback signal disconnection ^(*1)	Whether to detect a feedback signal disconnection ^(*1)
3007#7	4007#7	4007#7	Reserved	Magnetic pole detection start signal selection
3008#3	4008#3	4008#3	Reserved	Sets the current command.
3008#5	4008#5	4008#5	Reserved	Setting for using the sub module SM
3008#6	4008#6	4008#6	Reserved	Reference magnetic pole position selection
3009#5	4009#5	4009#5	Reserved	Setting related to magnetic flux reduction speed
3012#6	4012#6	4012#6	Unused (Set to 0.)	Setting of whether to drive the synchronous built-in spindle motor
3012#7	4012#7	4012#7	Setting of spindle HRV function	Setting of spindle HRV function
3013#7	4013#7	4013#7	Setting of a PWM carrier frequency for low-speed characteristics area	Unused (Set to 0.)
3014#0	4014#0	4014#0	Whether to use the spindle switch function	Unused (Set to 0.)
3014#2	4014#2	4014#2	Whether to check both spindle switch main and sub magnetic contactor contacts	Unused (Set to 0.)
3014#3	4014#3	4014#3	Whether to check both magnetic contactor contacts for high-speed /low-speed characteristics in speed range switching	Unused (Set to 0.)
3015#2	4015#2	4015#2	Whether to use the speed range switching function	Unused (Set to 0.)
3015#3	4015#3	4015#3	Whether to use the spindle tandem function	Unused (Set to 0.)
3016#4	4016#4	4016#4	Setting related to control characteristics on Cs contouring control/servo mode	Unused (Set to 0.)
3017#0	4017#0	4017#0	This parameter sets speed integration operation when differential spindle speed control is exercised.	Unused (Set to 0.)
3019#4	4019#4	4019#4	Setting of the function for switching from high-speed characteristics to low-speed characteristics with the speed detection signal SDT = 1 at speed range switching	Unused (Set to 0.)
3024	4024	4024	Zero speed detection level (SST) ^(*1)	Zero speed detection level (SST) ^(*1)
3039	4039	4039	Slip compensation gain	Unused (Set to 0.)
3080	4080	4080	Regenerative power limit for high-speed zone/regenerative power limit	Regenerative power limit
3083	4083	4083	Motor voltage on velocity control mode	Current ratio/motor stop confirmation time in magnetic pole detection operation
3084	4084	4084	Motor voltage on orientation	AMR offset
3085	4085	4085	Motor voltage on servo mode/spindle synchronous control mode	AMR offset fine adjustment
3086	4086	4086	Motor voltage on Cs contouring control	Inductance ratio
3097	4097	4097	Feedback gain of spindle speed	Unused (Set to 0.)
3102	4102	4102	Excitation voltage saturation speed at no-load	Base speed
3103	4103	4103	Base speed limit ratio	Magnetic flux reduction speed at maximum load
3109	4109	4109	Filter time constant for processing saturation related to the voltage command	Unused (Set to 0.)
3111	4111	4111	Secondary current coefficient	Maximum current constant
3113	4113	4113	Slip constant	Current constant for magnetic flux reduction
3114	4114	4114	Slip compensation coefficient for a high-speed zone/slip compensation coefficient at deceleration	Unused (Set to 0.)
3116	4116	4116	Motor leakage constant	Counter electromotive voltage compensation constant for magnetic flux reduction speed at maximum load

15i	16i	30i	Contents	
			αi series	BiS series
3117	4117	4117	Regular-time voltage compensation coefficient for high-speed zone/regular-time motor voltage coefficient	Interference voltage compensation constant for magnetic flux reduction speed at maximum load
3118	4118	4118	Acceleration-time voltage compensation coefficient for high-speed zone/acceleration-time motor voltage coefficient	Unused (Set to 0.)
3119	4119	4119	Deceleration-time excitation current change time constant/excitation current change time constant	Interference voltage compensation
3128	4128	4128	Compensation coefficient between the specification and true base/maximum torque curve compensation coefficient	Unused (Set to 0.)
3129	4129	4129	Secondary current coefficient for rigid tapping	Unused (Set to 0.)
3130	4130	4130	Current loop proportional gain speed coefficient/current phase delay compensation coefficient	Current phase delay compensation coefficient
3136	4136	4136	Motor voltage on velocity control mode	Unused (Set to 0.)
3137	4137	4137	Motor voltage on servo mode/spindle synchronous control mode	Unused (Set to 0.)
3138	4138	4138	Base speed of motor output specifications	Unused (Set to 0.)
3139	4139	4139	Output limit for motor output specifications	Unused (Set to 0.)
3140	4140	4140	Excitation voltage saturation speed at no-load	Unused (Set to 0.)
3141	4141	4141	Base speed limit ratio	Unused (Set to 0.)
3142	4142	4142	Current loop proportional gain	Unused (Set to 0.)
3143	4143	4143	Current loop integral gain	Unused (Set to 0.)
3144	4144	4144	Velocity at which the current loop integral gain is zero	Unused (Set to 0.)
3145	4145	4145	Filter time constant for processing saturation related to the voltage command	Unused (Set to 0.)
3146	4146	4146	Current conversion constant	Unused (Set to 0.)
3147	4147	4147	Secondary current coefficient	Unused (Set to 0.)
3148	4148	4148	Criterion level for saturation related to the voltage command/PWM command clamp value	Unused (Set to 0.)
3149	4149	4149	Slip constant	Unused (Set to 0.)
3150	4150	4150	Slip compensation coefficient for a high-speed zone/slip compensation coefficient at deceleration	Unused (Set to 0.)
3151	4151	4151	PWM command clamp value at deceleration	Unused (Set to 0.)
3152	4152	4152	Motor leakage constant	Unused (Set to 0.)
3153	4153	4153	Regular-time voltage compensation coefficient for high-speed zone/regular-time motor voltage coefficient	Unused (Set to 0.)
3154	4154	4154	Acceleration-time voltage compensation coefficient for high-speed zone/acceleration-time motor voltage coefficient	Unused (Set to 0.)
3156	4156	4156	Slip compensation gain	Unused (Set to 0.)
3157	4157	4157	Time constant for changing the torque (TCMD filter time constant)	Unused (Set to 0.)
3158	4158	4158	Compensation coefficient between the specification and true base/maximum torque curve compensation coefficient	Unused (Set to 0.)
3159	4159	4159	Secondary current coefficient for rigid tapping	Unused (Set to 0.)
3161	4161	4161	Current loop proportional gain speed coefficient/current phase delay compensation coefficient	Unused (Set to 0.)
3163	4163	4163	Integral gain of velocity loop during cutting feed on Cs contouring control mode (Low)	Unused (Set to 0.)
3165	4165	4165	Deceleration-time excitation current change time constant/excitation current change time constant	Unused (Set to 0.)
3166	4166	4166	Regenerative power limit for high-speed zone/regenerative power limit	Unused (Set to 0.)
3168	4168	4168	Current overload alarm detection level	Unused (Set to 0.)
3176#0	4176#0	4176#0	Rotation direction relationship between the spindle and motor	Unused (Set to 0.)
3176#4	4176#4	4176#4	Return direction for the reference position on servo mode	Unused (Set to 0.)
3177#0	4177#0	4177#0	Whether to use MRDY (machine ready) signal	Unused (Set to 0.)
3177#3	4177#3	4177#3	Mounting direction of the magnetic sensor	Unused (Set to 0.)
3177#4	4177#4	4177#4	Mounting direction of the spindle sensor	Unused (Set to 0.)
3178#0	4178#0	4178#0	Spindle sensor type	Unused (Set to 0.)
3178#1	4178#1	4178#1	Spindle sensor type	Unused (Set to 0.)
3178#2	4178#2	4178#2	Spindle sensor type	Unused (Set to 0.)
3178#3	4178#3	4178#3	Spindle sensor type	Unused (Set to 0.)

15i	16i	30i	Contents	
			<i>α</i> i series	BiS series
3178#5	4178#5	4178#5	Whether to use the rotation direction signal (SFR/SRV) function on servo mode	Unused (Set to 0.)
3179#0	4179#0	4179#0	Spindle orientation method	Unused (Set to 0.)
3179#2	4179#2	4179#2	Rotation direction during spindle orientation	Unused (Set to 0.)
3179#3	4179#3	4179#3	Rotation direction during spindle orientation	Unused (Set to 0.)
3179#4	4179#4	4179#4	Teeth number setting of spindle sensor	Unused (Set to 0.)
3179#5	4179#5	4179#5	Teeth number setting of spindle sensor	Unused (Set to 0.)
3179#6	4179#6	4179#6	Teeth number setting of spindle sensor	Unused (Set to 0.)
3179#7	4179#7	4179#7	Teeth number setting of spindle sensor	Unused (Set to 0.)
3180#2	4180#2	4180#2	Setting of external one-rotation signal	Unused (Set to 0.)
3180#3	4180#3	4180#3	Setting of external one-rotation signal	Unused (Set to 0.)
3182#1	4182#1	4182#1	Increment system of gear ratio	Unused (Set to 0.)
3182#2	4182#2	4182#2	Increment system of spindle speed	Unused (Set to 0.)
3182#5	4182#5	4182#5	Setting of analog override range	Unused (Set to 0.)
3182#7	4182#7	4182#7	Whether to use the command arbitrary gear ratio (CMR) function on rigid tapping	Unused (Set to 0.)
3183#5	4183#5	4183#5	Whether to detect a feedback signal disconnection	Unused (Set to 0.)
3183#6	4183#6	4183#6	Whether to detect the alarms (spindle alarms 41, 42, 47, 81, 82, 83, 85, 86, and 87) related to the position feedback signal (when Cs contouring control mode is not set)	Unused (Set to 0.)
3184#4	4184#4	4184#4	Setting of output limitation method	Unused (Set to 0.)
3185#0	4185#0	4185#0	Increment system of velocity loop gain	Unused (Set to 0.)
3185#2	4185#2	4185#2	Motor power turn-off method when spindle alarm 24 (serial data transfer error) is issued	Unused (Set to 0.)
3185#4	4185#4	4185#4	Whether to output the load detection signals (LDT1, LDT2) during acceleration/deceleration	Unused (Set to 0.)
3185#6	4185#6	4185#6	Analog override type	Unused (Set to 0.)
3186#0	4186#0	4186#0	Motor sensor type	Unused (Set to 0.)
3186#1	4186#1	4186#1	Motor sensor type	Unused (Set to 0.)
3186#2	4186#2	4186#2	Motor sensor type	Unused (Set to 0.)
3187#0	4187#0	4187#0	Teeth number setting of motor sensor	Unused (Set to 0.)
3187#1	4187#1	4187#1	Teeth number setting of motor sensor	Unused (Set to 0.)
3187#2	4187#2	4187#2	Teeth number setting of motor sensor	Unused (Set to 0.)
3187#3	4187#3	4187#3	Number of motor poles	Unused (Set to 0.)
3187#4	4187#4	4187#4	Setting of maximum output during acceleration/deceleration	Unused (Set to 0.)
3187#7	4187#7	4187#7	Number of motor poles	Unused (Set to 0.)
3188#0	4188#0	4188#0	Setting of PWM carrier frequency	Unused (Set to 0.)
3188#1	4188#1	4188#1	Setting of PWM carrier frequency	Unused (Set to 0.)
3188#2	4188#2	4188#2	Setting of PWM carrier frequency	Unused (Set to 0.)
3189#2	4189#2	4189#2	Current dead-band data	Unused (Set to 0.)
3189#3	4189#3	4189#3	Current dead-band data	Unused (Set to 0.)
3189#4	4189#4	4189#4	Current dead-band data	Unused (Set to 0.)
3189#5	4189#5	4189#5	Current dead-band data	Unused (Set to 0.)
3189#6	4189#6	4189#6	Current dead-band data	Unused (Set to 0.)
3189#7	4189#7	4189#7	Setting of a PWM carrier frequency for low-speed characteristics area	Unused (Set to 0.)
3192#3	4192#3	4192#3	Setting of the smoothing function in feed-forward control	Unused (Set to 0.)
3192#4	4192#4	4192#4	Setting related to control characteristics on servo mode	Unused (Set to 0.)
3192#6	4192#6	4192#6	Whether to detect the alarm (spindle alarms 46) related to feedback of the position detection signal for threading	Unused (Set to 0.)
3192#7	4192#7	4192#7	Function for newly detecting the one-rotation signal before entering position control mode	Unused (Set to 0.)
3193#0	4193#0	4193#0	This parameter sets speed integration operation when differential spindle speed control is exercised.	Unused (Set to 0.)
3193#7	4193#7	4193#7	Setting of shortcut orientation from stop state in position coder method spindle orientation	Unused (Set to 0.)
3194#5	4194#5	4194#5	Whether to use the velocity command compensation function during high-speed orientation	Unused (Set to 0.)
3194#6	4194#6	4194#6	High-speed orientation function	Unused (Set to 0.)

15i	16i	30i	Contents	
			<i>αi series</i>	BiS series
3195#2	4195#2	4195#2	Whether to use torque clamp at zero speed	Unused (Set to 0.)
3195#4	4195#4	4195#4	Setting of the function for switching from high-speed characteristics to low-speed characteristics with the speed detection signal SDT = 1 at speed range switching	Unused (Set to 0.)
3195#7	4195#7	4195#7	Automatic parameter setting function (16i /30i)	Unused (Set to 0.)
3196	4196	4196	Maximum motor speed	Unused (Set to 0.)
3197	4197	4197	Speed arrival detection level (SAR)	Unused (Set to 0.)
3198	4198	4198	Speed detection level (SDT)	Unused (Set to 0.)
3199	4199	4199	Zero speed detection level (SST)	Unused (Set to 0.)
3200	4200	4200	Limited torque (TLMH, TLML)	Unused (Set to 0.)
3201	4201	4201	Load detection level 1 (LDT1)	Unused (Set to 0.)
3202	4202	4202	Limited output pattern	Unused (Set to 0.)
3203	4203	4203	Output limit	Unused (Set to 0.)
3204	4204	4204	Stop position of position coder method orientation	Unused (Set to 0.)
3205	4205	4205	Spindle orientation speed	Unused (Set to 0.)
3206	4206	4206	Velocity loop proportional gain on velocity control mode (High)	Unused (Set to 0.)
3207	4207	4207	Velocity loop proportional gain on velocity control mode (Low)	Unused (Set to 0.)
3208	4208	4208	Velocity loop proportional gain on orientation (High)	Unused (Set to 0.)
3209	4209	4209	Velocity loop proportional gain on orientation (Low)	Unused (Set to 0.)
3210	4210	4210	Velocity loop proportional gain on servo mode (High)	Unused (Set to 0.)
3211	4211	4211	Velocity loop proportional gain on servo mode (Low)	Unused (Set to 0.)
3212	4212	4212	Velocity loop integral gain on velocity control mode (common to High and Low)	Unused (Set to 0.)
3213	4213	4213	Velocity loop integral gain on orientation (common to High and Low)	Unused (Set to 0.)
3214	4214	4214	Velocity loop integral gain on servo mode (common to High and Low)	Unused (Set to 0.)
3216	4216	4216	Gear ratio (High)	Unused (Set to 0.)
3217	4217	4217	Gear ratio (Low)	Unused (Set to 0.)
3218	4218	4218	Position gain on orientation (High)	Unused (Set to 0.)
3219	4219	4219	Position gain on orientation (Low)	Unused (Set to 0.)
3220	4220	4220	Ordinary orientation: Rate of change in position gain upon completion of orientation High-speed orientation: Rate of change in position gain upon completion of orientation	Unused (Set to 0.)
3221	4221	4221	Position gain on servo mode (High)	Unused (Set to 0.)
3222	4222	4222	Position gain on servo mode (Low)	Unused (Set to 0.)
3223	4223	4223	Grid shift on servo mode	Unused (Set to 0.)
3226	4226	4226	Detection level for orientation completion signal (ORAR)	Unused (Set to 0.)
3227	4227	4227	Ordinary orientation: Motor speed limit value on orientation High-speed orientation: Reserved	Unused (Set to 0.)
3228	4228	4228	Orientation stop position shift	Unused (Set to 0.)
3229	4229	4229	MS signal constant	Unused (Set to 0.)
3230	4230	4230	MS signal gain adjustment	Unused (Set to 0.)
3231	4231	4231	Regenerative power limit for high-speed zone/regenerative power limit	Unused (Set to 0.)
3232	4232	4232	Delay time until motor power is cut off	Unused (Set to 0.)
3233	4233	4233	Setting of acceleration/deceleration time	Unused (Set to 0.)
3234	4234	4234	Spindle load monitor observer gain 1	Unused (Set to 0.)
3235	4235	4235	Spindle load monitor observer gain 2	Unused (Set to 0.)
3236	4236	4236	Motor voltage on velocity control mode	Unused (Set to 0.)
3237	4237	4237	Motor voltage on orientation	Unused (Set to 0.)
3238	4238	4238	Motor voltage on servo mode	Unused (Set to 0.)
3239	4239	4239	Rate of change in position gain during reference position return on servo mode	Unused (Set to 0.)
3240	4240	4240	Feed-forward coefficient	Unused (Set to 0.)
3241	4241	4241	Feed-forward coefficient of velocity loop	Unused (Set to 0.)

15i	16i	30i	Contents	
			<i>α</i> i series	BiS series
3243	4243	4243	Denominator of arbitrary gear ratio between motor sensor and spindle (High)	Unused (Set to 0.)
3244	4244	4244	Numerator of arbitrary gear ratio between motor sensor and spindle (High)	Unused (Set to 0.)
3245	4245	4245	Denominator of arbitrary gear ratio between motor sensor and spindle (Low)	Unused (Set to 0.)
3246	4246	4246	Numerator of arbitrary gear ratio between motor sensor and spindle (Low)	Unused (Set to 0.)
3254	4254	4254	Slip compensation gain	Unused (Set to 0.)
3255	4255	4255	Slip compensation gain	Unused (Set to 0.)
3256	4256	4256	Base speed of motor output specifications	Unused (Set to 0.)
3257	4257	4257	Output limit for motor output specifications	Unused (Set to 0.)
3258	4258	4258	Excitation voltage saturation speed at no-load	Unused (Set to 0.)
3259	4259	4259	Base speed limit ratio	Unused (Set to 0.)
3260	4260	4260	Current loop proportional gain	Unused (Set to 0.)
3261	4261	4261	Current loop integral gain	Unused (Set to 0.)
3262	4262	4262	Velocity at which the current loop integral gain is zero	Unused (Set to 0.)
3263	4263	4263	Filter time constant for processing saturation related to the voltage command	Unused (Set to 0.)
3264	4264	4264	Current conversion constant	Unused (Set to 0.)
3265	4265	4265	Secondary current coefficient	Unused (Set to 0.)
3266	4266	4266	Criterion level for saturation related to the voltage command/PWM command clamp value	Unused (Set to 0.)
3267	4267	4267	Slip constant	Unused (Set to 0.)
3268	4268	4268	Slip compensation coefficient for a high-speed zone/slip compensation coefficient at deceleration	Unused (Set to 0.)
3269	4269	4269	PWM command clamp value at deceleration	Unused (Set to 0.)
3270	4270	4270	Motor leakage constant	Unused (Set to 0.)
3271	4271	4271	Regular-time voltage compensation coefficient for high-speed zone/regular-time motor voltage coefficient	Unused (Set to 0.)
3272	4272	4272	Acceleration-time voltage compensation coefficient for high-speed zone/acceleration-time motor voltage coefficient	Unused (Set to 0.)
3273	4273	4273	Time constant for changing the torque (TCMD filter time constant)	Unused (Set to 0.)
3274	4274	4274	Value displayed on load meter at maximum output	Unused (Set to 0.)
3275	4275	4275	Compensation coefficient between the specification and true base/maximum torque curve compensation coefficient	Unused (Set to 0.)
3276	4276	4276	Secondary current coefficient for rigid tapping	Unused (Set to 0.)
3277	4277	4277	Current loop proportional gain speed coefficient/current phase delay compensation coefficient	Unused (Set to 0.)
3278	4278	4278	Time constant for velocity detecting filter	Unused (Set to 0.)
3279	4279	4279	Value displayed on load meter at maximum output	Unused (Set to 0.)
3280	4280	4280	Deceleration-time excitation current change time constant/excitation current change time constant	Unused (Set to 0.)
3281	4281	4281	Spindle load monitor torque constant	Unused (Set to 0.)
3282	4282	4282	Spindle load monitor torque constant	Unused (Set to 0.)
3283	4283	4283	Spindle load monitor torque constant	Unused (Set to 0.)
3284	4284	4284	Motor voltage on velocity control mode	Unused (Set to 0.)
3285	4285	4285	Motor voltage on servo mode	Unused (Set to 0.)
3286	4286	4286	Base speed of motor output specifications	Unused (Set to 0.)
3287	4287	4287	Output limit for motor output specifications	Unused (Set to 0.)
3288	4288	4288	Excitation voltage saturation speed at no-load	Unused (Set to 0.)
3289	4289	4289	Base speed limit ratio	Unused (Set to 0.)
3290	4290	4290	Current loop proportional gain	Unused (Set to 0.)
3291	4291	4291	Current loop integral gain	Unused (Set to 0.)
3292	4292	4292	Velocity at which the current loop integral gain is zero	Unused (Set to 0.)
3293	4293	4293	Filter time constant for processing saturation related to the voltage command	Unused (Set to 0.)
3294	4294	4294	Current conversion constant	Unused (Set to 0.)
3295	4295	4295	Secondary current coefficient	Unused (Set to 0.)

15i	16i	30i	Contents	
			α i series	BiS series
3296	4296	4296	Criterion level for saturation related to the voltage command/PWM command clamp value	Unused (Set to 0.)
3297	4297	4297	Slip constant	Unused (Set to 0.)
3298	4298	4298	Slip compensation coefficient for a high-speed zone/slip compensation coefficient at deceleration	Unused (Set to 0.)
3299	4299	4299	PWM command clamp value at deceleration	Unused (Set to 0.)
3300	4300	4300	Motor leakage constant	Unused (Set to 0.)
3301	4301	4301	Regular-time voltage compensation coefficient for high-speed zone/regular-time motor voltage coefficient	Unused (Set to 0.)
3302	4302	4302	Acceleration-time voltage compensation coefficient for high-speed zone/acceleration-time motor voltage coefficient	Unused (Set to 0.)
3303	4303	4303	Time constant for changing the torque (TCMD filter time constant)	Unused (Set to 0.)
3304	4304	4304	Compensation coefficient between the specification and true base/maximum torque curve compensation coefficient	Unused (Set to 0.)
3305	4305	4305	Secondary current coefficient for rigid tapping	Unused (Set to 0.)
3306	4306	4306	Current loop proportional gain speed coefficient/current phase delay compensation coefficient	Unused (Set to 0.)
3307	4307	4307	Regenerative power limit for high-speed zone/regenerative power limit	Unused (Set to 0.)
3308	4308	4308	Deceleration-time excitation current change time constant/excitation current change time constant	Unused (Set to 0.)
3309	4309	4309	Motor model code	Unused (Set to 0.)
3310	4310	4310	Motor overheat detect level (2-word)	Unused (Set to 0.)
3324	4324	4324	Motor acceleration at deceleration time (High)	Unused (Set to 0.)
3325	4325	4325	Motor acceleration at deceleration time (Low)	Unused (Set to 0.)
3327	4327	4327	Acceleration limitation start speed at deceleration time (High)	Unused (Set to 0.)
3329	4329	4329	Command multiplication for spindle orientation by position coder	Unused (Set to 0.)
3331	4331	4331	Acceleration limitation start speed at deceleration time (Low)	Unused (Set to 0.)
3335	4335	4335	Number of motor sensor arbitrary teeth	Unused (Set to 0.)
3347	4347	4347	Master-slave speed difference state signal output setting	Unused (Set to 0.)
3348	4348	4348	Current overload alarm detection level	Unused (Set to 0.)
3349	4349	4349	Temperature monitoring time constant	Unused (Set to 0.)
3350	4350	4350	Current overload alarm detection level	Unused (Set to 0.)
3353#1	4353#1	4353#1	Velocity feedback signal setting in torque tandem operation	Unused (Set to 0.)
3353#2	4353#2	4353#2	Relationship of master/slave motor rotation directions in torque tandem operation	Unused (Set to 0.)
3360	4360	4360	Preload value	Unused (Set to 0.)
3365	4365	4365	Load meter compensation 1	Unused (Set to 0.)
3366	4366	4366	Load meter compensation 2	Unused (Set to 0.)
3367	4367	4367	Load meter compensation 3	Unused (Set to 0.)
3373#1	4373#1	4373#1	Setting of the peak hold function for load meter output	Unused (Set to 0.)
3376	4376	4376	Load meter compensation 1	Unused (Set to 0.)
3377	4377	4377	Load meter compensation 2	Unused (Set to 0.)
3378	4378	4378	Load meter compensation 3	Unused (Set to 0.)
3379	4379	4379	Load meter compensation 1	Unused (Set to 0.)
3380	4380	4380	Load meter compensation 2	Unused (Set to 0.)
3381	4381	4381	Load meter compensation 3	Unused (Set to 0.)
3398#2	4398#2	4398#2	Unused (Set to 0.)	Magnetic pole detection mode selection 1
3398#3	4398#3	4398#3	Whether to use the twin drive function	Unused (Set to 0.)
3398#6	4398#6	4398#6	Whether to detect a speed polarity error (spindle alarm d0) in torque tandem operation	Unused (Set to 0.)
3399#5	4399#5	4399#5	Unused (Set to 0.)	Neglect "Pole position count miss alarm (spindle alarm 91)"
3399#6	4399#6	4399#6	Unused (Set to 0.)	Magnetic pole detection mode selection 2
3443	4443	4443	Feed-forward coefficient of velocity loop	Unused (Set to 0.)
3463	4463	4463	Unused (Set to 0.)	Unexpected rotation detection level (spindle alarm 90)
3467#2	4467#2	4467#2	Setting of the detection lower limit of the one-rotation signal	Unused (Set to 0.)

15i	16i	30i	Contents	
			<i>α</i> i series	BiS series
3467#3	4467#3	4467#3	Setting of the fine acceleration/deceleration (FAD) function	Unused (Set to 0.)
3467#4	4467#4	4467#4	Acceleration/deceleration type of fine acceleration/deceleration (FAD)	Unused (Set to 0.)
3467#5	4467#5	4467#5	Whether to detect the alarm related to spindle sensor polarity erroneous setting	Unused (Set to 0.)
3468#6	4468#6	4468#6	Triggering of the disturbance input function (vibration application function)	Unused (Set to 0.)
3468#7	4468#7	4468#7	Setting of the disturbance input function (vibration application function)	Unused (Set to 0.)
3481	4481	4481	Feed-forward timing adjustment coefficient	Unused (Set to 0.)
3486	4486	4486	Feed-forward coefficient of velocity loop	Unused (Set to 0.)
3520	4520	4520	Primary delay time constant in dual position feedback [in servo mode]	Unused (Set to 0.)
3521	4521	4521	Maximum amplitude in dual position feedback [in servo mode]	Unused (Set to 0.)
3522	4522	4522	Dual position feedback zero width [in servo mode]	Unused (Set to 0.)
3523	4523	4523	Excessive semi-closed loop/closed loop position error alarm detection level [in servo mode]	Unused (Set to 0.)

INDEX

<α>

αCi SERIES SPINDLE.....	808
αCi SERIES SPINDLE PARAMETER TABLE	753
αi SERIES SPINDLE	803
αi SERIES SPINDLE PARAMETER TABLE.....	736

<A>

About the Spindle Speed Control and Spindle Status Signals.....	819
Additional Information (Position Gain Adjustment)	258,468,576,701
Adjustment.....	148
ADJUSTMENT.....	253,467,571,700
Alarm and Status Error.....	395,589
Alarms.....	367,728
AMPLITUDE RATIO/PHASE DIFFERENCE COMPENSATION FUNCTION.....	272,703
AMR Offset Function.....	597
Automatic Spindle Parameter Initialization	6,435,489,581

BiS SERIES SPINDLE	812
BiS SERIES SPINDLE PARAMETER TABLE	757
Block diagram	147
Block Diagram	58,344,360,376,403,444,477,625,717,725,730

<C>

Calculating the Orientation Time.....	328,476,712
Calculating the Position Gain for Orientation	327,476,712
Causes of Spindle Alarm 65.....	611
Caution.....	590
Cautions	347,478,611,718
Configuration	278,290,315,370,587
CONVENTIONAL METHOD ORIENTATION (OPTIONAL FUNCTION).....	315,474,710
Cs CONTOURING CONTROL (OPTIONAL FUNCTION).....	139,453,643

<D>

Data List.....	818
DEFINITION OF WARNING, CAUTION, AND NOTE	s-1
Description.....	371

Details of input signals.....	465
Details of Input Signals.....	230,567,692
Details of Output Signals	244,466,569,698
Details of parameters.....	463,557
Details of Parameters	211,676
Details of Parameters for Detectors.....	11,437,492,583
Details of Specifications.....	291
Diagnosis Signal Related to Spindle EGB	367,728
DIFFERENTIAL SPINDLE SPEED CONTROL	369,729
Disturbance Input Function	267,702
DUAL POSITION FEEDBACK FUNCTION (OPTIONAL FUNCTION)	375,729

<E>

Example of Adjustment.....	405,730
EXAMPLE OF OBSERVING DATA	821
Examples of Sequences 67,145,185,311,361,372,388,447,454,461,472,516,542,62 6,644,659,709,726 Explanation of Input Signals	228,465,567,691
Explanation of Operation	70,180,447,461,542,627,659
EXPLANATION OF OPERATION MODES	31,442,498,613
Explanation of Output Signals	243,466,569,697

<F>

Feature.....	57,444,515,625
FUNCTION DESCRIPTIONS.....	277,469,704

<H>

HIGH-SPEED SPINDLE ORIENTATION (OPTIONAL FUNCTION)	409,481,731
HRV Filter.....	260,702

<I>

I/O SIGNALS (CNC↔PMC)	226,464,565,689
INCRMENTAL COMMAND TYPE SPINDLE ORIENTATION (SPINDLE ROTATION SPEED CONTROL) (OPTIONAL FUNCTION)	305,470,707
Input Signals (PMC→CNC).....	803,808,812
INPUT SIGNALS (PMC→CNC→SP)	227,690
INPUT SIGNALS (PMC→CNC→SPMC).....	566
INPUT SIGNALS (PMC→CNC→SVSP)	465

<L>

List of Input Signals 227,465,566,690
 List of Output Signals 242,466,569,696
 List of Parameters for Detectors..... 10,437,491,583
 LIST OF SPINDLE ALARMS 795
 LIST OF SPINDLE PARAMETER NUMBERS 765
 LIST OF SPINDLE STATE ERRORS 798
 LISTS OF ALARMS/STATE ERRORS..... 794

<M>

MACHINE RESONANCE ELIMINATION 259,702
 MAGNETIC SENSOR METHOD SPINDLE
 ORIENTATION (OPTIONAL FUNCTION) 396,729

<N>

Number of Error Pulses in Spindle Synchronous Control
 200,461,550,668

<O>

OBSERVING DATA USING THE SERVO GUIDE . 817
 Output Signals (CNC→PMC)..... 805,810,814
 OUTPUT SIGNALS (SP→CNC→PMC)..... 242,696
 OUTPUT SIGNALS (SPMC→CNC→PMC)..... 569
 OUTPUT SIGNALS (SVSP→CNC→PMC)..... 466

<P>

Parameter Setting Procedure 118,300,452,534,638
 PARAMETER SPECIFICATION DIFFERENCES
 BETWEEN THE αi SERIES AND αCi SERIES 827
 PARAMETER SPECIFICATION DIFFERENCES
 BETWEEN THE αi SERIES AND B*i*S SERIES 830
 PARAMETER TABLE FOR EACH MOTOR MODEL
 772
 Parameter Tuning Procedure 353,480,721
 Parameters
 208,254,344,392,398,404,463,468,478,555,572,673,701,7
 17,730
 PARAMETERS RELATED TO DETECTORS
 10,437,491,583
 Parameters Related to Spindle Serial Output 5,435,489,581
 PARAMETERS WITH DIFFERENT MEANINGS
 828,831
 Parameter-specified Switching between High- and
 Low-speed Characteristics 287
 POLE POSITION DETECTION 592
 Pole Position Detection Operation 594

POSITION CODER METHOD SPINDLE
 ORIENTATION (OPTIMUM ORIENTATION)
 (OPTIONAL FUNCTION) 444,625
 POSITION CODER METHOD SPINDLE
 ORIENTATION (OPTIMUM
 ORIENTATION)(OPTIONAL FUNCTION) 54
 POSITION CODER METHOD SPINDLE
 ORIENTATION (OPTIONAL FUNCTION) 514
 PREFACE p-1

<R>

Related Parameters
 37,73,108,157,190,443,447,452,455,461,504,517,528,543,
 587,603,615,627,630,645,660
 Restrictions..... 292
 RIGID TAPPING (OPTIONAL FUNCTION)
 99,449,523,628

<S>

SERIES AND EDITIONS OF APPLICABLE SPINDLE
 SOFTWARE 817
 Specification..... 332,713
 SPECIFICATIONS COMMON TO ALL OPERATION
 MODES..... 203,463,551,669
 Specifying a Shift Amount for Spindle Phase Synchronous
 Control 201,461,550,668
 SPEED RANGE SWITCHING CONTROL (OPTIONAL
 FUNCTION) 278,705
 Spindle Alarm 381
 SPINDLE BACKLASH ACCELERATION FUNCTION
 (OPTIONAL FUNCTION) 403,730
 SPINDLE DATA THAT CAN BE OBSERVED USING
 THE SERVO GUIDE..... 818
 Spindle Data Used in Tuning 422,483,732
 SPINDLE EGB (SPINDLE ELECTRONIC GEAR BOX)
 (OPTIONAL FUNCTION) 355,722
 SPINDLE FINE ACC./DEC. (FAD) FUNCTION
 343,477,717
 SPINDLE MOTOR αCi series..... 793
 SPINDLE MOTOR αiL series 773
 SPINDLE MOTOR αiL series (400V)..... 784
 SPINDLE MOTOR αiIL series..... 783
 SPINDLE MOTOR αiIL series (400V) 789
 SPINDLE MOTOR αiIP series..... 778
 SPINDLE MOTOR αiIP series (400V) 786

SPINDLE MOTOR α iIT series	780
SPINDLE MOTOR α iIT series (400V)	787
SPINDLE MOTOR β iI series	790
SPINDLE MOTOR β iIP series	792
SPINDLE ORIENTATION DURING SPINDLE SYNCHRONIZATION CONTROL (OPTIONAL FUNCTION)	331
SPINDLE ORIENTATION DURING SPINDLE SYNCHRONOUS CONTROL (OPTIONAL FUNCTION)	713
SPINDLE PARAMETER TABLE.....	735
SPINDLE SERIAL INTERFACE (OPTIONAL FUNCTION)	5,435,489,581
SPINDLE SWITCHING CONTROL	290,706
SPINDLE SYNCHRONOUS CONTROL (OPTIONAL FUNCTION)	170,457,540,656
Standard parameters of velocity loop gain for Cs contouring control for each motor model.....	149
START-UP.....	3,433,487,579
START-UP PROCEDURE	4,434,488,580
Status Errors	346,478,718
Status Errors on Differential Spindle Speed Control...	374
Status Errors Related to Spindle EGB	367,728
Stop Position Specification Method	62,447,515,626
Stop Processing When a Sub Module SM Error Occurs	588
SUB MODULE SM	586
Supplementary Descriptions	96,448,627
Supplementary Descriptions about Parameters	301

<T>

TABLE OF I/O SIGNALS RELATED TO SPINDLE CONTROL.....	802
TCMD Filter	259,702
TORQUE TANDEM CONTROL FUNCTION (OPTIONAL FUNCTION)	382,729
Transition from Conventional Method Orientation to Optimum Orientation	56,444,625
Troubleshooting	50,443,510,624
Tuning Procedure	85,423,483,627,732
Typical Detector Configurations.....	22,438,496,584

<U>

UNEXPECTED DISTURBANCE TORQUE DETECTION FUNCTION (OPTIONAL FUNCTION)	349,479,719
--	-------------

<V>

VELOCITY CONTROL MODE.....	32,443,499,614
VELOCITY LOOP GAIN ADJUSTMENT	254,468,572,701
Velocity Loop Gains Override Function on Cs Contouring Control Mode	147,454,644

Revision Record

FANUC AC SPINDLE MOTOR $\alpha i/\beta i$ series, BUILT-IN SPINDLE MOTOR $B i$ series PARAMETER MANUAL (B-65280EN)

05	Apr., 2005	<ul style="list-style-type: none"> - Applied to Series 30i - Addition of BUILT-IN SPINDLE MOTOR $B i$s series 			
04	Oct., 2003	<ul style="list-style-type: none"> - Addition of AC SPINDLE MOTOR βi series 			
03	Apr., 2003	<ul style="list-style-type: none"> - Change of the motor model name - Addition of the spindle speed differential control function 			
02	Oct., 2002	Total revision <ul style="list-style-type: none"> - Addition of AC SPINDLE MOTOR $\alpha C i$ series - Addition of Appendixes C, D, F, and G 	07	Jul., 2008	<ul style="list-style-type: none"> - Addition of optimum orientation - Addition of $\alpha i C Z$ sensor (serial)
01	Jun., 2001	_____	06	Jul., 2006	<ul style="list-style-type: none"> - Change of the motor model name - Addition of spindle backlash acceleration function
Edition	Date	Contents	Edition	Date	Contents